



US00D840728S

(12) **United States Design Patent**
Hsu

(10) **Patent No.:** **US D840,728 S**
(45) **Date of Patent:** **** Feb. 19, 2019**

(54) **UTILITY RACK**

(71) Applicant: **Seville Classics Inc.**, Torrance, CA (US)

(72) Inventor: **Li-Han Hsu**, Torrance, CA (US)

(73) Assignee: **Seville Classics, Inc.**, Torrance, CA (US)

(**) Term: **15 Years**

(21) Appl. No.: **29/632,955**

(22) Filed: **Jan. 11, 2018**

Related U.S. Application Data

(63) Continuation of application No. 29/575,537, filed on Aug. 25, 2016, now Pat. No. Des. 808,690, which is a continuation-in-part of application No. 29/568,554, filed on Jun. 20, 2016, now Pat. No. Des. 787,242, which is a continuation-in-part of application No. 29/525,381, filed on Apr. 29, 2015, now Pat. No. Des. 762,402.

(51) **LOC (11) Cl.** **06-06**

(52) **U.S. Cl.**
USPC **D6/675.2**

(58) **Field of Classification Search**
USPC D6/672, 675, 675.1, 675.2, 675.3, 675.4, D6/675.5
CPC A47F 45/00; A47F 55/00; A47F 55/02
See application file for complete search history.

(56) **References Cited**

U.S. PATENT DOCUMENTS

- 3,252,434 A * 5/1966 Young, Jr. A47F 5/13 108/181
- D291,165 S * 8/1987 Ray D6/675.2
- 5,779,070 A * 7/1998 Dickinson A47B 57/265 211/181.1
- D424,836 S * 5/2000 Kopala, Jr. D6/675.2

- D432,820 S * 10/2000 Walters-Dowding D6/675.2
- 6,260,488 B1 * 7/2001 Yang A47B 57/545 108/107
- D602,712 S * 10/2009 Ho D6/675.2
- D626,356 S * 11/2010 Ho D6/675.2
- D637,427 S * 5/2011 Troyner D6/705.6
- D683,983 S * 6/2013 Troyner D6/675.2
- D699,485 S * 2/2014 Hsu D6/675.1
- D701,405 S * 3/2014 Pace D6/675.2
- D703,467 S * 4/2014 Ho D6/675.1
- D703,468 S * 4/2014 Ho D6/675.1
- D704,482 S * 5/2014 Hsu D6/675.1
- D724,357 S * 3/2015 Lim A47B 47/00 D6/675.1
- D731,212 S * 6/2015 Hsu D6/675.2
- D734,966 S * 7/2015 Greenspon D6/675.2
- D739,681 S * 9/2015 Bee D7/600.4
- D742,664 S * 11/2015 Hsu D6/675.5
- D759,997 S * 6/2016 Ruiz D6/675.1
- D762,402 S * 8/2016 Hsu D6/675.5

(Continued)

Primary Examiner — Kelley A Donnelly

(74) *Attorney, Agent, or Firm* — Raymond Sun

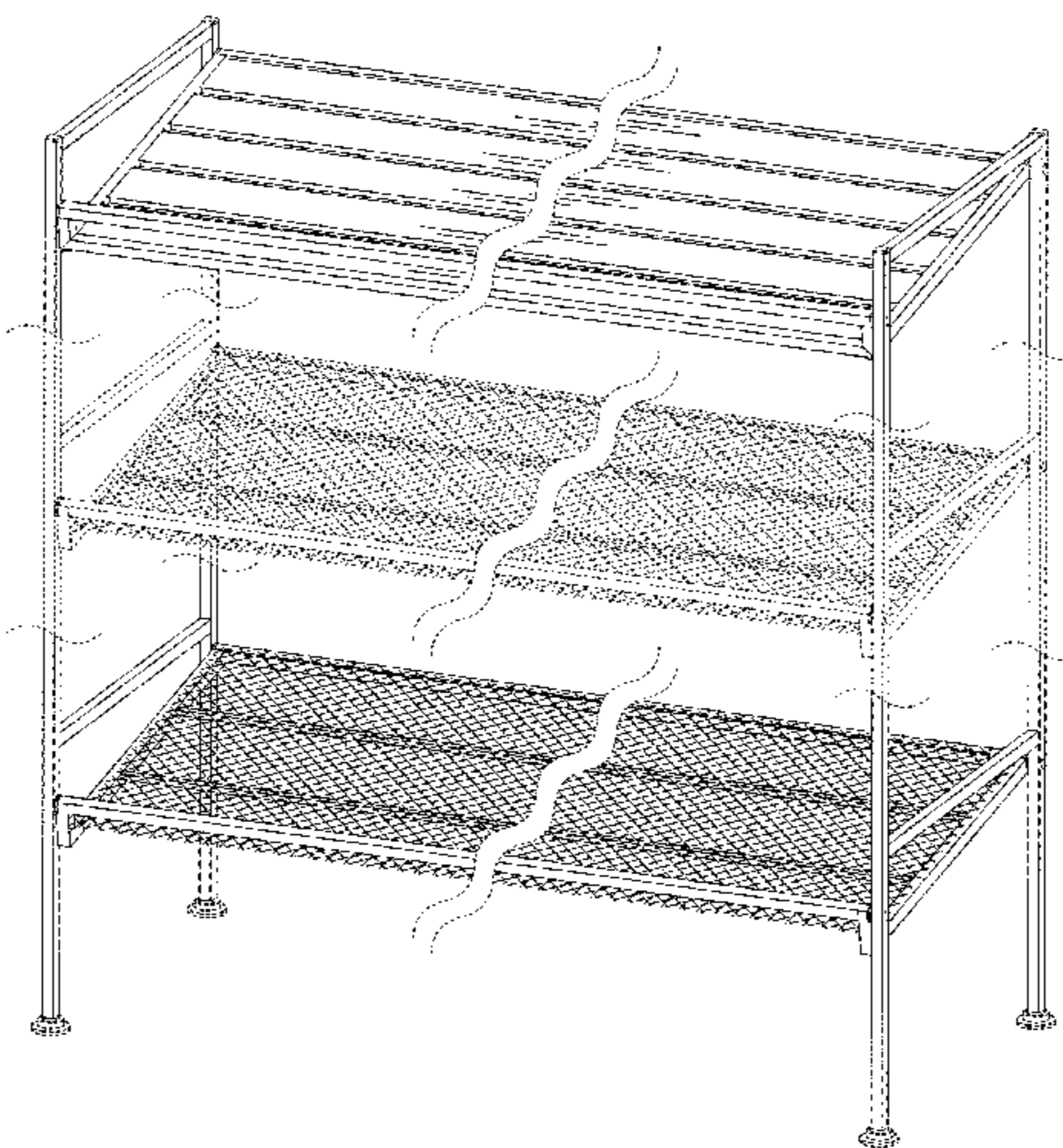
(57) **CLAIM**

The ornamental design for a utility rack, as shown and described.

DESCRIPTION

FIG. 1 is a perspective view of a first embodiment of a utility rack;
FIG. 2 is a front plan view thereof;
FIG. 3 is a right plan view thereof;
FIG. 4 is a left plan view thereof;
FIG. 5 is a top plan view thereof;
FIG. 6 is a bottom plan view thereof; and,
FIG. 7 is a rear plan view thereof.
The broken lines in the drawings indicate unclaimed portions and form no part of the claimed design.

1 Claim, 7 Drawing Sheets



(56)

References Cited

U.S. PATENT DOCUMENTS

D785,995	S	*	5/2017	Tsai	D6/675.1
D787,242	S	*	5/2017	Hsu	D6/675.2
D802,342	S	*	11/2017	Chang	D6/675.5
D808,690	S	*	1/2018	Hsu	D6/675.2
D824,703	S	*	8/2018	Yamamoto	D6/675.1
D825,233	S	*	8/2018	Yamamoto	D6/675.1
2008/0203042	A1	*	8/2008	Felsenthal	A47B 47/027 211/153
2010/0181274	A1	*	7/2010	Vargo	A47B 47/021 211/187
2011/0233164	A1	*	9/2011	Chang	A47B 57/14 211/188
2011/0240571	A1	*	10/2011	Ho	A47B 47/021 211/13.1
2014/0229000	A1	*	8/2014	Hoshino	B65G 1/1378 700/215

* cited by examiner

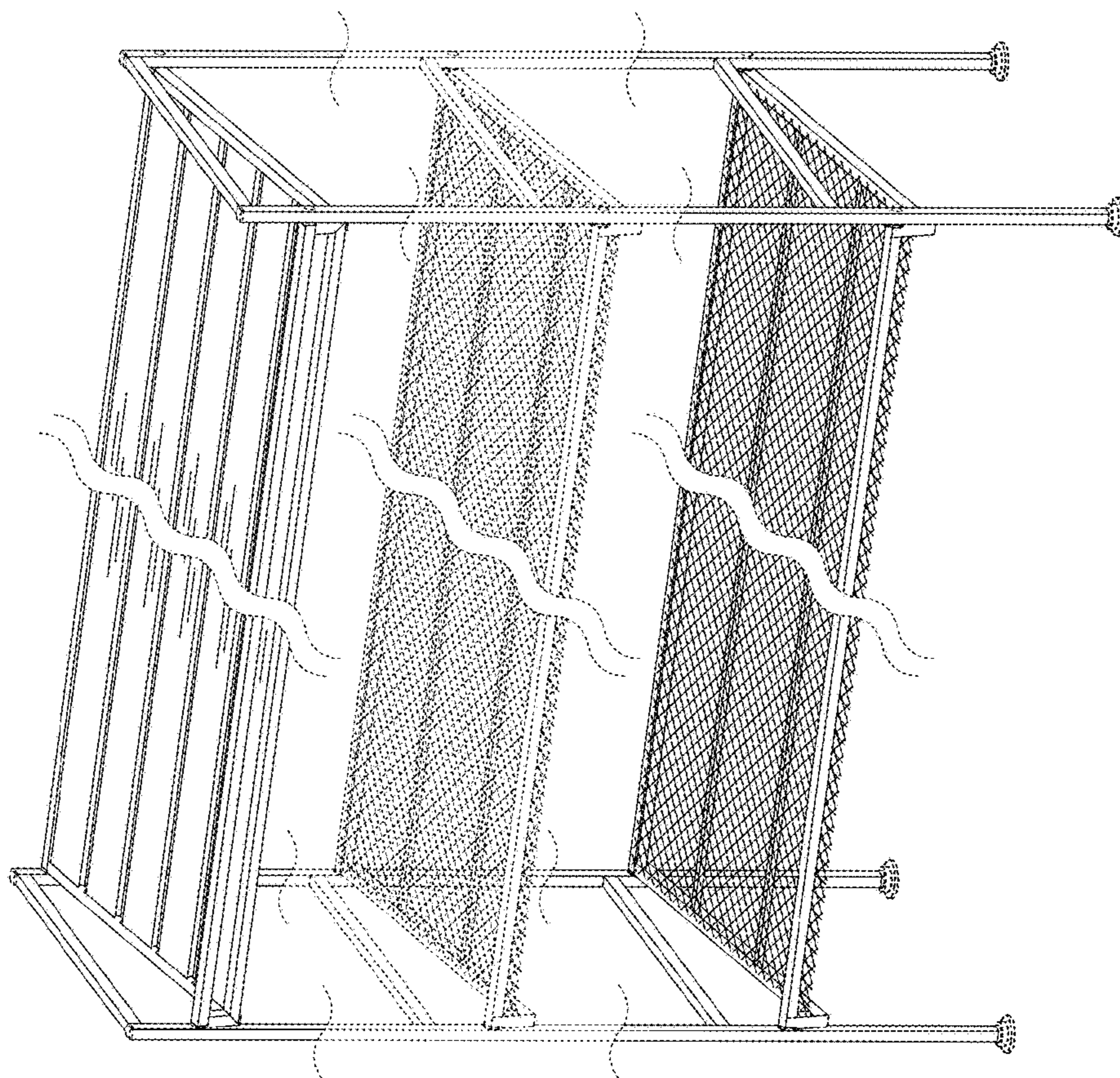


FIG. 1

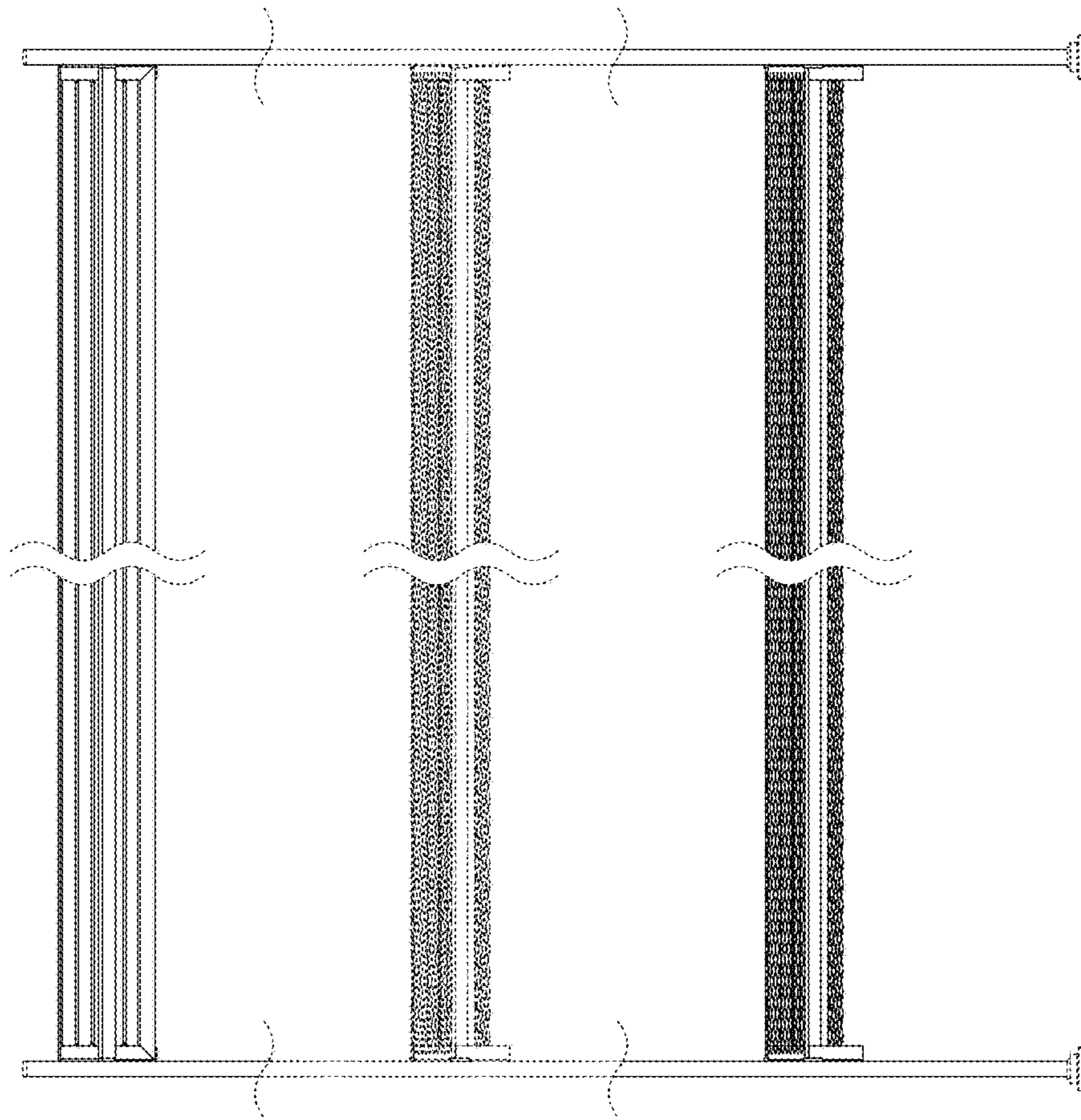


FIG. 2

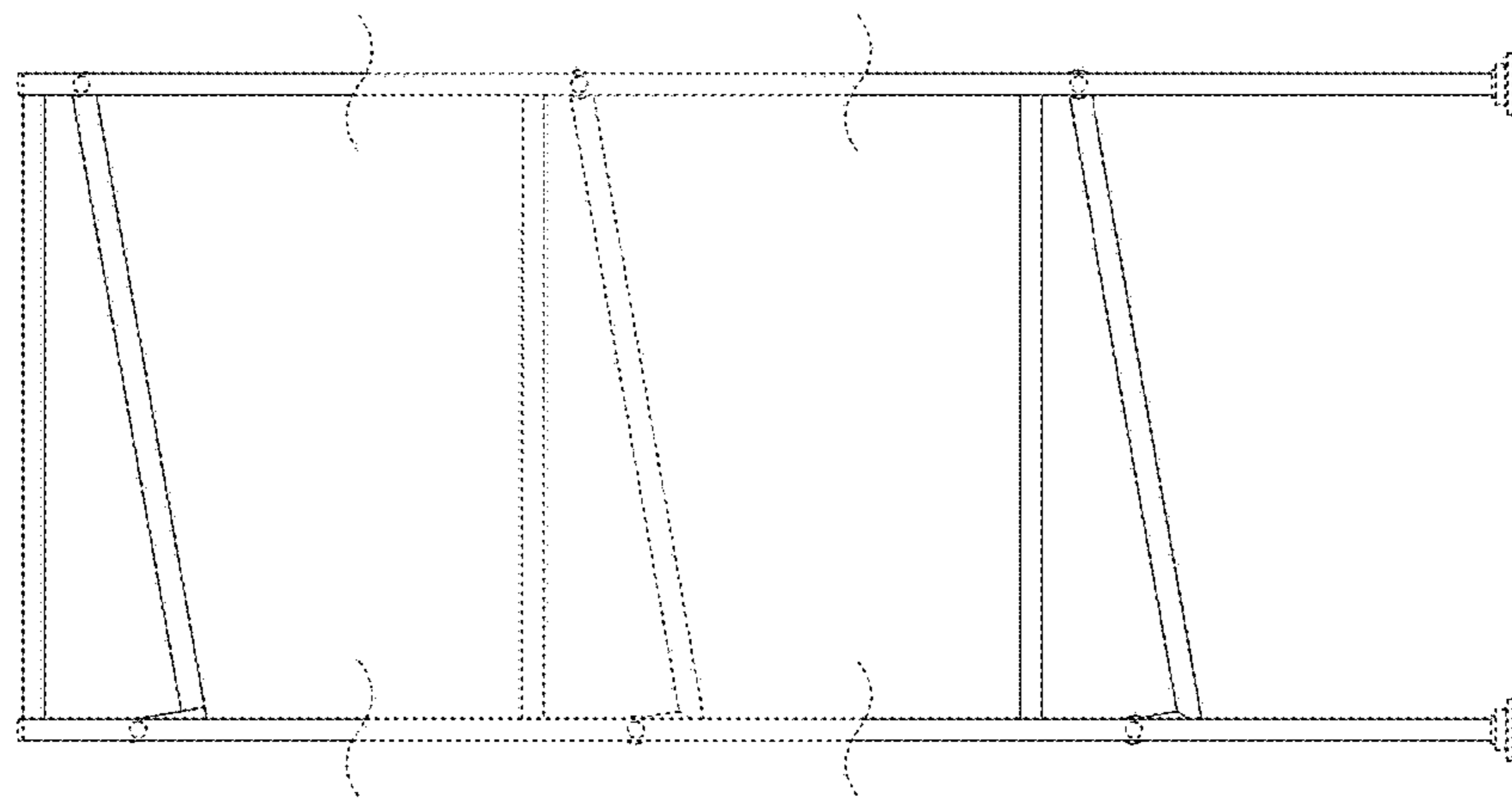


FIG. 3

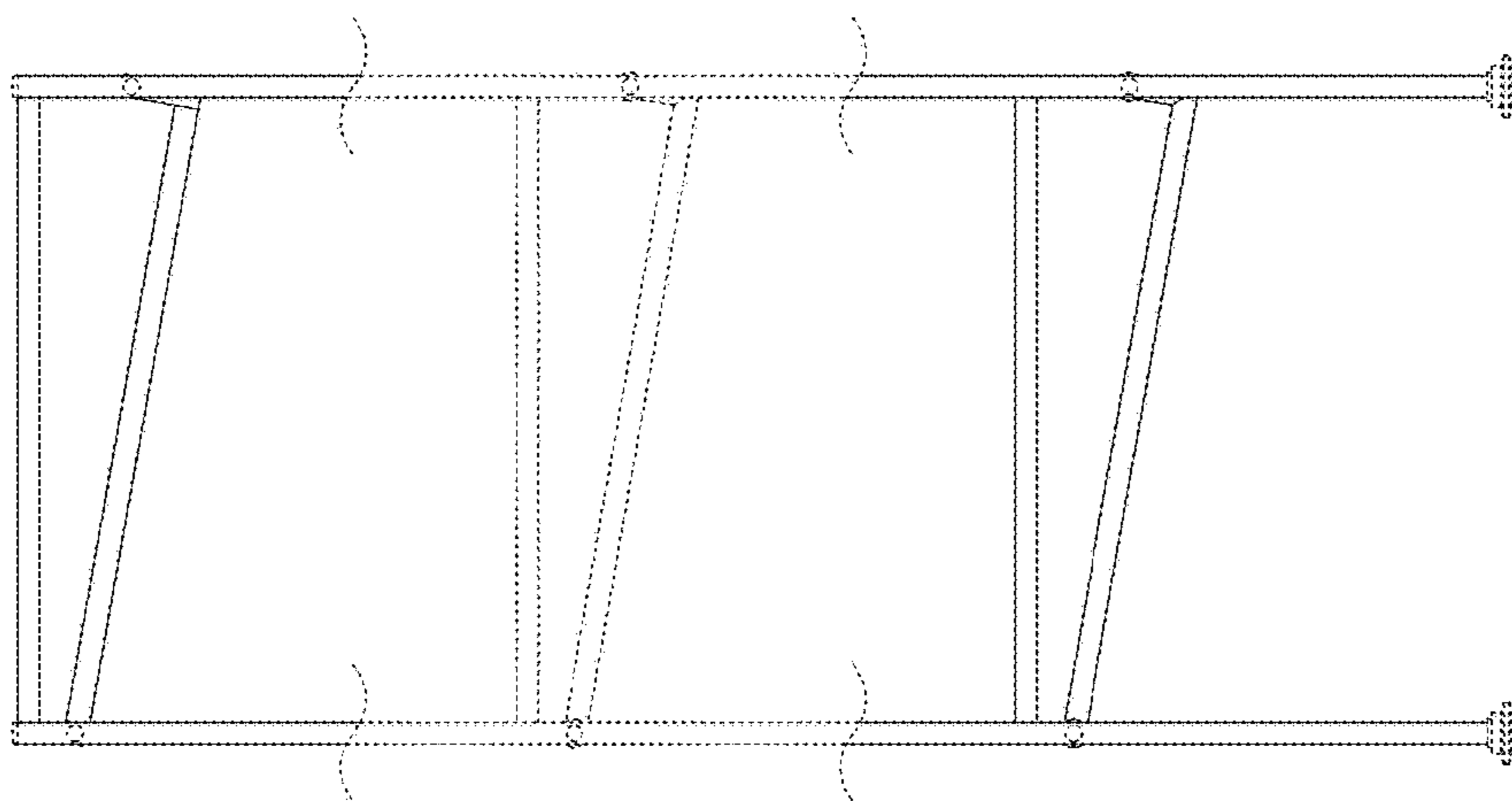


FIG. 4

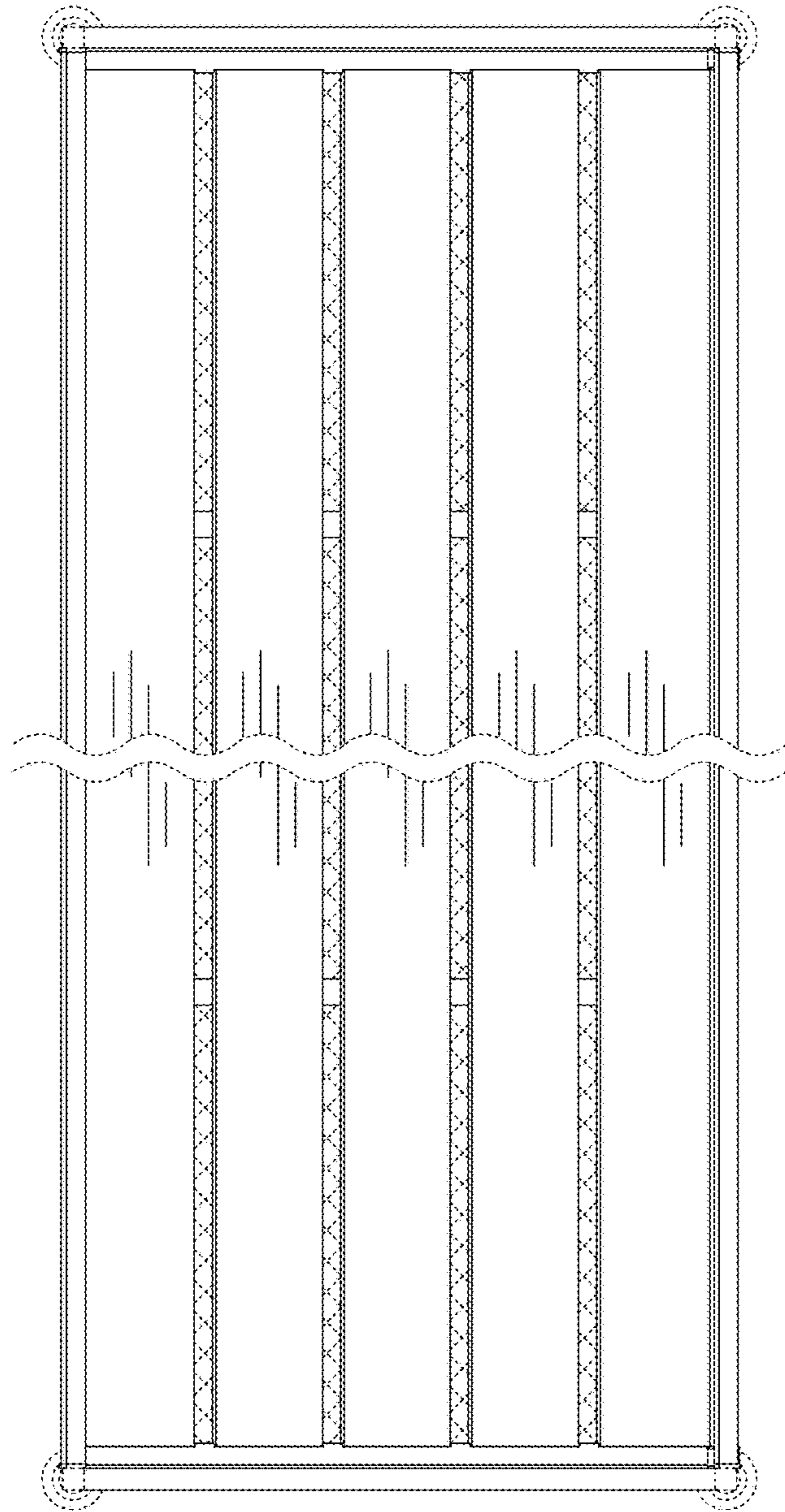


FIG. 5

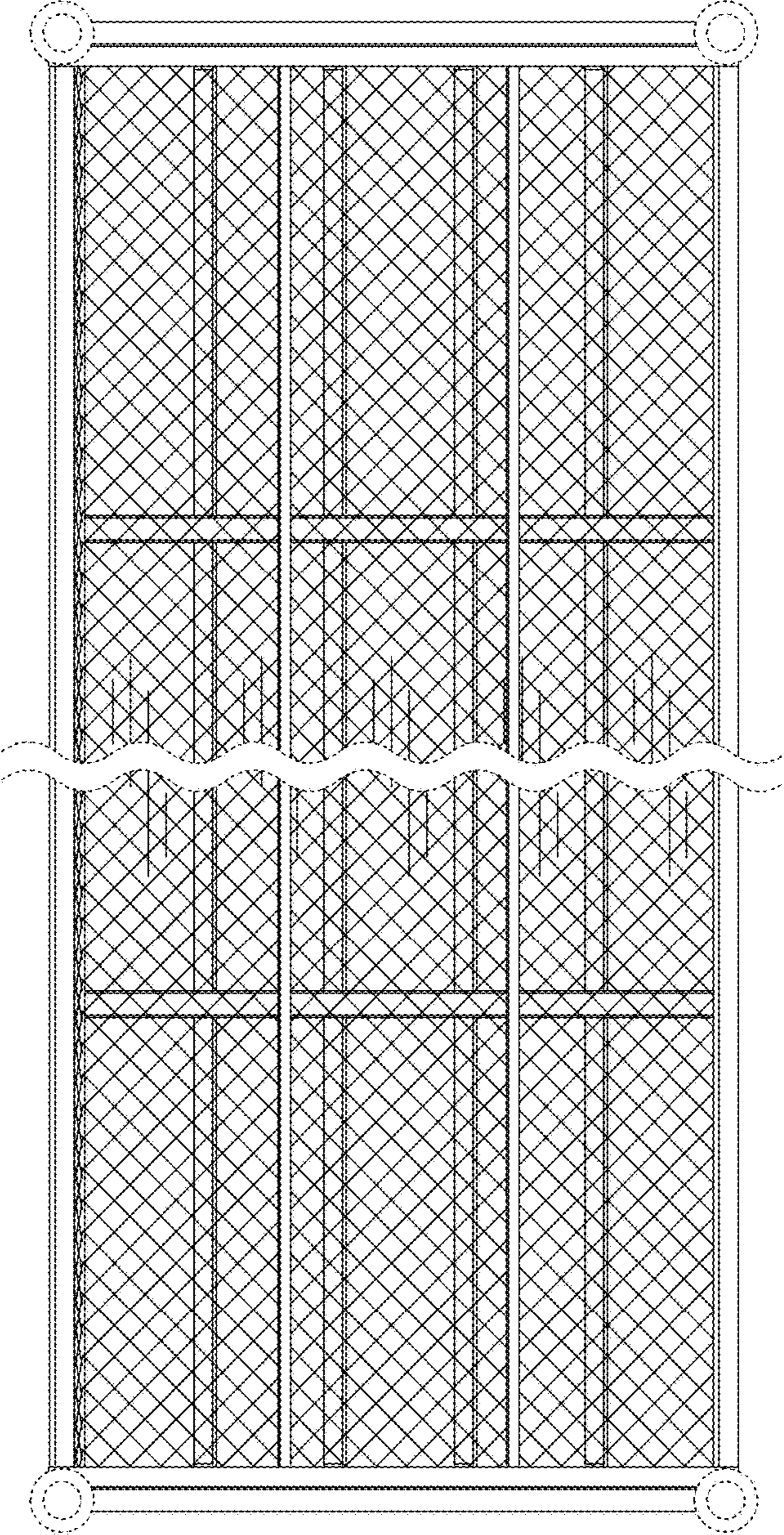


FIG. 6

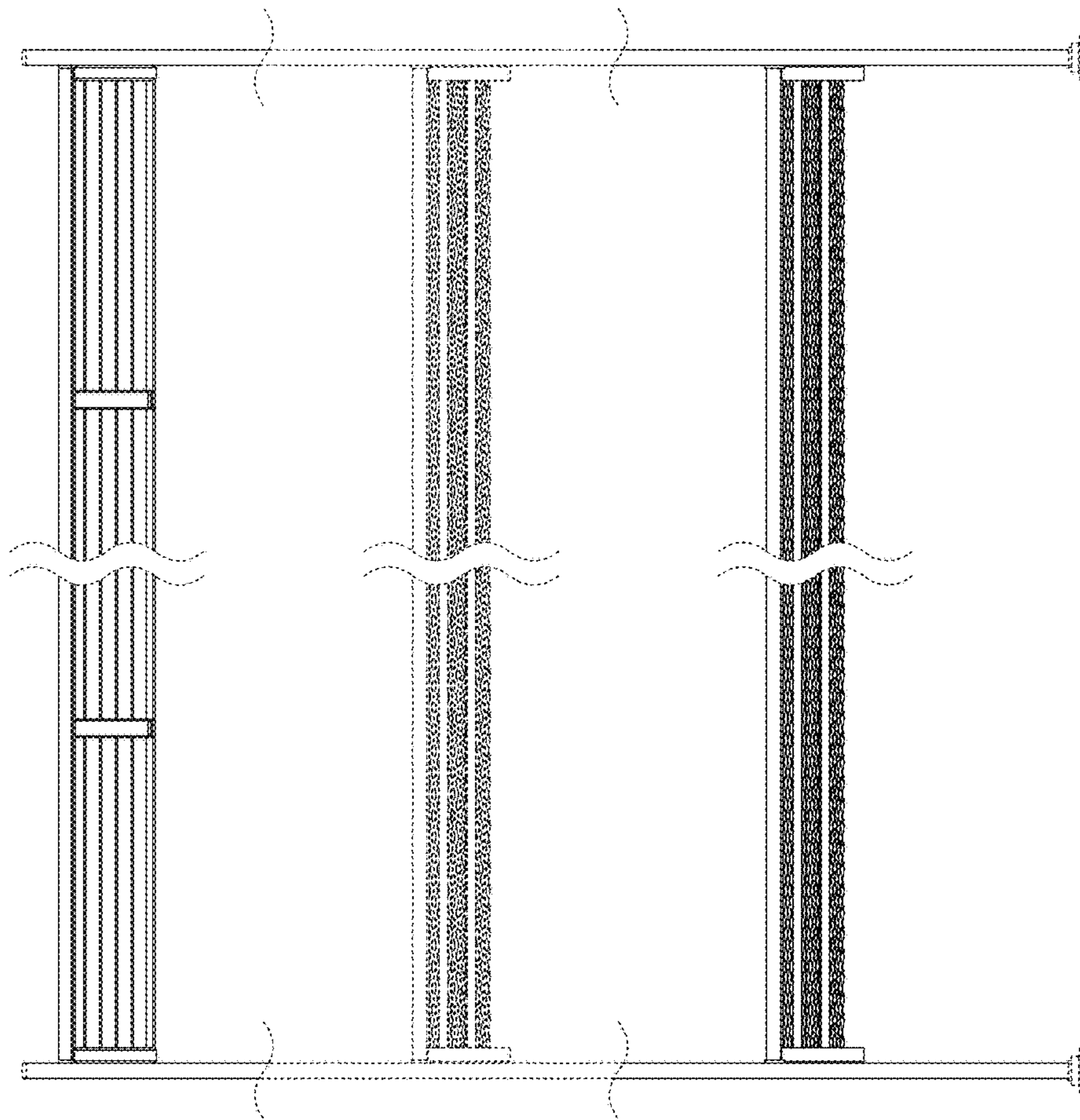


FIG. 7