



US00D840726S

(12) **United States Design Patent**  
**Denby et al.**

(10) **Patent No.:** **US D840,726 S**  
(45) **Date of Patent:** **\*\* Feb. 19, 2019**

(54) **DESK**

FOREIGN PATENT DOCUMENTS

(71) Applicant: **TARGET BRANDS, INC.**,  
Minneapolis, MN (US)

DE 2424484 A1 12/1974  
DE 29601461 U1 3/1996  
DE 102006044134 A1 3/2008

(72) Inventors: **Scott E. Denby**, Minneapolis, MN  
(US); **David J. Meyer**, Golden Valley,  
MN (US); **Robert Stoltz**, Edina, MN  
(US)

OTHER PUBLICATIONS

(73) Assignee: **TARGET BRANDS, INC.**,  
Minneapolis, MN (US)

“Bush Business Furniture Components Collection 66" Wide Desk  
Shell, 29<sup>7</sup>/<sub>8</sub>"H×66"W×29<sup>3</sup>/<sub>8</sub>"D, Hansen Cherry, Standard Delivery  
Service,” printed from [www.officedepot.com/a/products/203576/  
Bush-Business-Furniture-Components-Collection-66/](http://www.officedepot.com/a/products/203576/Bush-Business-Furniture-Components-Collection-66/), publicly avail-  
able at least as early as Feb. 15, 2015, per [http:// web.archive.org](http://web.archive.org) (1  
page).

(\*\*) Term: **15 Years**

(Continued)

(21) Appl. No.: **29/600,747**

*Primary Examiner* — George D. Kirschbaum

(22) Filed: **Apr. 14, 2017**

*Assistant Examiner* — Sloan Rozin

(74) *Attorney, Agent, or Firm* — JoAnn M. Seaton;  
Griffiths & Seaton PLLC

**Related U.S. Application Data**

(62) Division of application No. 29/547,291, filed on Dec.  
2, 2015, now Pat. No. Des. 787,239.

(51) **LOC (11) Cl.** ..... **06-03**

(52) **U.S. Cl.**  
USPC ..... **D6/648.2; D6/651.1**

(58) **Field of Classification Search**  
USPC ..... D6/641, 642, 643, 648, 648.2, 651.1,  
D6/686, 689, 691.2, 692, 700  
CPC .. A47B 7/00; A47B 13/00; A47B 9/14; A47B  
2021/0335; A47B 21/045; A47B 3/00;  
A47B 5/00; A47B 5/02; A47B 5/06  
See application file for complete search history.

(57) **CLAIM**

The ornamental design for a desk, as shown and described.

**DESCRIPTION**

FIG. 1 is a front perspective view of a desk showing our new  
design;  
FIG. 2 is a rear perspective view thereof;  
FIG. 3 is a front view thereof;  
FIG. 4 is a rear view thereof;  
FIG. 5 is a right side view thereof;  
FIG. 6 is a left side view thereof; and,  
FIG. 7 is a top view thereof.

The features shown in broken lines are portions of the desk  
forming no part of the claimed design. The features shown  
in long dash-short dash bolded broken lines indicate the  
bounds of the claimed design and otherwise form no part of  
the claimed design. Bottom surfaces are not claimed, and  
therefore, the bottom view is omitted from the drawings.

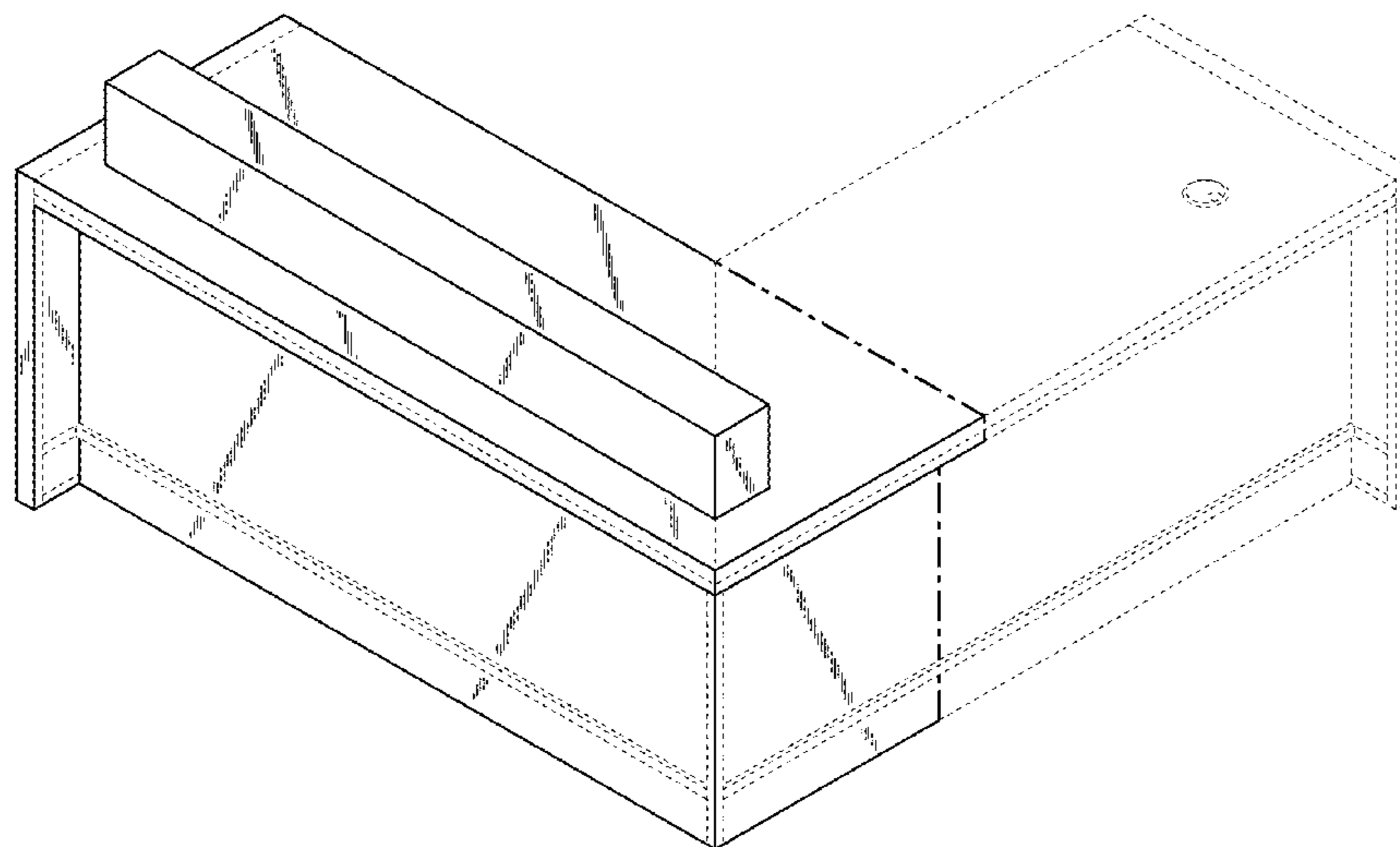
(56) **References Cited**

U.S. PATENT DOCUMENTS

1,915,046 A 6/1933 Bales  
D161,959 S 2/1951 Park  
2,596,663 A 5/1952 Duffy  
3,479,102 A 11/1969 Wallach et al.

(Continued)

**1 Claim, 5 Drawing Sheets**



(56)

References Cited

U.S. PATENT DOCUMENTS

3,857,622 A 12/1974 Mohr et al.  
 D237,851 S 12/1975 Sklaroff  
 D244,114 S 4/1977 Neff  
 D252,435 S 7/1979 Sussman  
 D252,660 S 8/1979 Lerner et al.  
 4,163,592 A 8/1979 Nelson  
 D257,417 S 10/1980 Lerner et al.  
 D258,184 S 2/1981 Nelson  
 D258,786 S 4/1981 Verdesca  
 D259,376 S 6/1981 Verdesca  
 D260,834 S 9/1981 Platner  
 4,323,291 A 4/1982 Ball  
 D267,688 S 1/1983 Platner  
 D267,846 S 2/1983 Platner  
 D270,217 S 8/1983 Daventry  
 D271,642 S 12/1983 Thompson  
 D275,349 S 9/1984 Thompson  
 D275,633 S 9/1984 Thompson  
 4,469,382 A 9/1984 Slaats et al.  
 D278,583 S 4/1985 Koguma  
 D278,770 S 5/1985 Koguma  
 D278,771 S 5/1985 Koguma  
 D281,293 S \* 11/1985 Johnston ..... D6/648.3  
 D281,746 S 12/1985 Koguma  
 D283,094 S 3/1986 Strand et al.  
 D292,151 S 10/1987 Becker  
 D293,493 S 12/1987 Garr  
 D324,963 S \* 3/1992 LaCour ..... 312/194  
 5,311,826 A 5/1994 Baggiani  
 5,429,431 A \* 7/1995 Olson ..... A47B 21/06  
 108/23  
 5,666,887 A 9/1997 Grabowski et al.  
 5,738,422 A \* 4/1998 Welborn, Jr. .... A47B 83/001  
 312/196  
 D396,583 S 8/1998 Nielsen  
 5,860,713 A \* 1/1999 Richardson ..... A47B 21/06  
 108/64  
 D405,623 S 2/1999 Zaidman et al.  
 D428,279 S 7/2000 Olson  
 D433,247 S 11/2000 Pindle, Jr.  
 D449,750 S 10/2001 Antonioni  
 D452,391 S 12/2001 Efron et al.  
 D466,337 S 12/2002 Feng  
 D471,376 S 3/2003 Cizmar  
 D471,733 S 3/2003 Cizmar  
 6,712,433 B2 3/2004 Hellwig et al.  
 D497,059 S 10/2004 Jans  
 D500,613 S 1/2005 Savage  
 D508,621 S 8/2005 Brandon  
 D508,804 S 8/2005 Brandon  
 D524,076 S 7/2006 Newhouse et al.  
 D524,570 S 7/2006 Newhouse et al.  
 D527,202 S 8/2006 Newhouse et al.  
 7,111,564 B2 9/2006 Chang  
 D538,068 S 3/2007 Newhouse et al.  
 D547,970 S 8/2007 Chou  
 D549,492 S 8/2007 Sheppard  
 D549,991 S 9/2007 Stravitz  
 D553,879 S 10/2007 Juneau  
 D567,536 S 4/2008 Paterson  
 7,390,069 B1 6/2008 Ho  
 D572,037 S 7/2008 Reyes et al.  
 D576,420 S 9/2008 Grabowski et al.

D579,699 S 11/2008 Reyes et al.  
 D581,695 S \* 12/2008 Martin ..... D6/648.2  
 7,469,644 B2 12/2008 Tseng  
 D588,850 S 3/2009 Goldberg  
 D589,280 S 3/2009 Zambelli  
 D591,083 S 4/2009 Singler et al.  
 D591,090 S 4/2009 Judkins  
 D603,626 S 11/2009 Weatherly  
 D611,734 S 3/2010 Stukenberg et al.  
 D611,735 S 3/2010 Stukenberg  
 D615,785 S 5/2010 Goldberg  
 D635,376 S 4/2011 Cortivo et al.  
 D639,153 S 6/2011 Miller  
 D647,324 S 10/2011 Kincaid et al.  
 8,087,738 B2 \* 1/2012 Henriott ..... A47B 21/06  
 108/50.02  
 D676,587 S 2/2013 Fisher et al.  
 D685,588 S 7/2013 Stukenberg et al.  
 D687,250 S 8/2013 Weatherly  
 D693,153 S 11/2013 Kwok  
 D693,610 S 11/2013 Denby et al.  
 D693,612 S 11/2013 Arko et al.  
 D694,558 S 12/2013 Denby et al.  
 D703,465 S 4/2014 Weatherly  
 D704,970 S 5/2014 Lindblom et al.  
 D732,866 S \* 6/2015 Terwelp ..... A47B 13/00  
 D6/702  
 D734,964 S 7/2015 Ward  
 D736,020 S 8/2015 Martell et al.  
 D741,094 S 10/2015 Martell et al.  
 D743,188 S 11/2015 Denby et al.  
 D743,191 S 11/2015 Clark et al.  
 D758,773 S 6/2016 Kim et al.  
 D761,029 S 7/2016 Behar et al.  
 D765,450 S 9/2016 Biddle et al.  
 D766,625 S 9/2016 Johnson et al.  
 D781,088 S 3/2017 Knoll et al.  
 D787,239 S \* 5/2017 Denby ..... D6/657  
 9,635,932 B2 \* 5/2017 Kelley ..... A47B 21/06  
 D798,084 S \* 9/2017 Acuff ..... D6/641  
 2007/0169673 A1 7/2007 Tseng  
 2009/0127986 A1 5/2009 Carelsen

OTHER PUBLICATIONS

“Bestar Embassy L-Shaped Computer Desk with Filing,” printed from [www.hayneedle.com/product/bestarembassyshapedcomputerdeskwithfiling.cfm](http://www.hayneedle.com/product/bestarembassyshapedcomputerdeskwithfiling.cfm), publicly available at least as early as Oct. 31, 2013, per <http://web.archive.org> (3 pages).  
 “Bestar Prestige+ Commercial Grade U-shape Hutch and Desk,” printed from [www.overstock.com/Office-Supplies/Bestar-Prestige-Commercial-Grade-U-shape-Hutch-And-Desk/5224307/product.html](http://www.overstock.com/Office-Supplies/Bestar-Prestige-Commercial-Grade-U-shape-Hutch-And-Desk/5224307/product.html), publicly available at least as early as Mar. 12, 2011 (6 pages). Retail Desk, by Lyonbom Furniture Manufacturing Co., [floordisplaystand.com](http://floordisplaystand.com) [online], published 2015, [retrived on Oct. 14, 2016]. Retrieved from the Internet <URL: <http://www.floordisplaystand.com/sale-3741463-white-oem-mdf-wooden-shop-cash-counter-paint-finished-retail-desk-counter.html>> (4 pages).  
 Ikea Desk, by Ikea.com [online], saved Apr. 20, 2012 as found by [waybackmachine.com](http://waybackmachine.com) [retrieved on Oct. 29, 2016] URL<<https://web.archive.org/web/20120420164157/http://www.ikea.com/us/en/catalog/products/70214192>> (2 pages).

\* cited by examiner

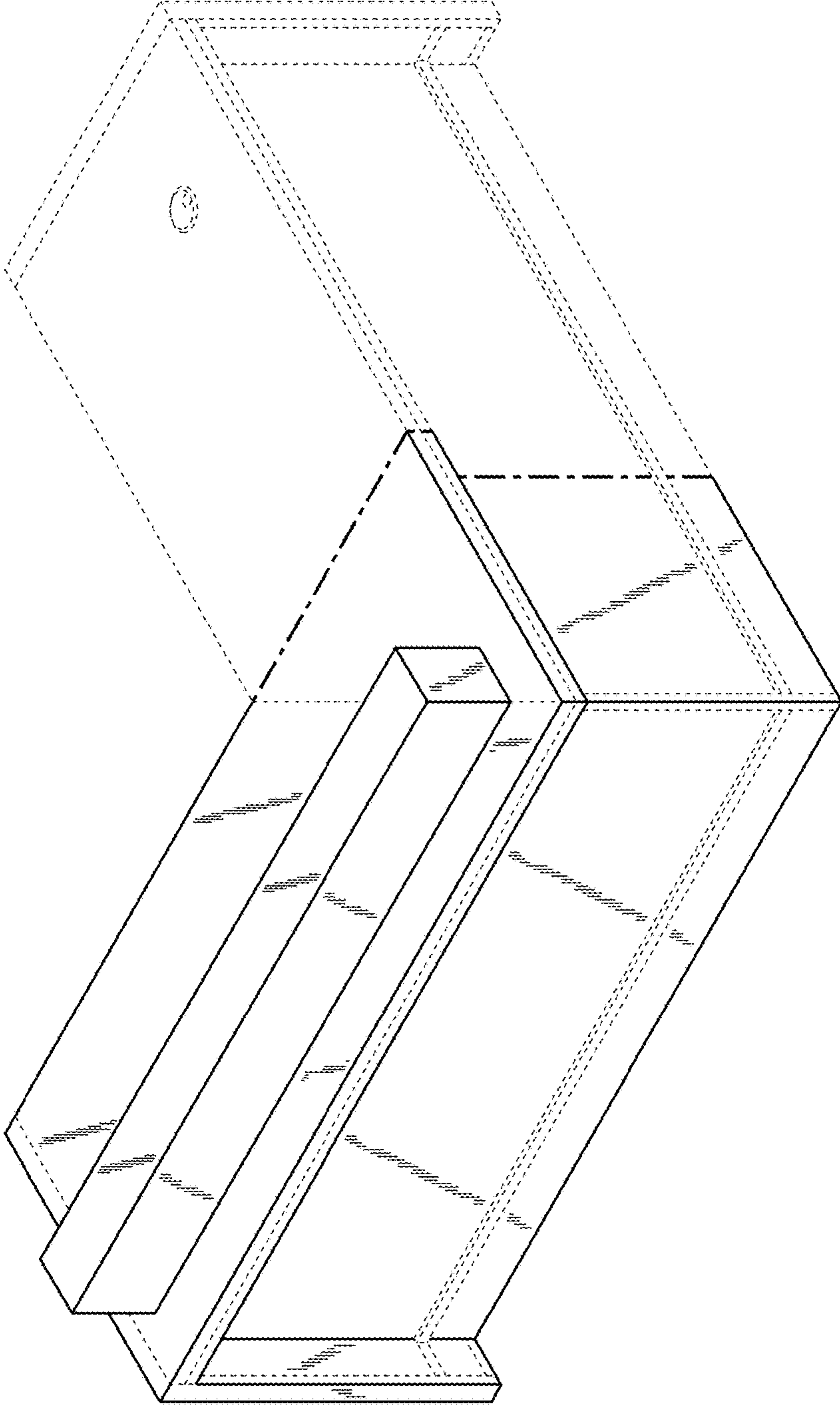


FIG. 1

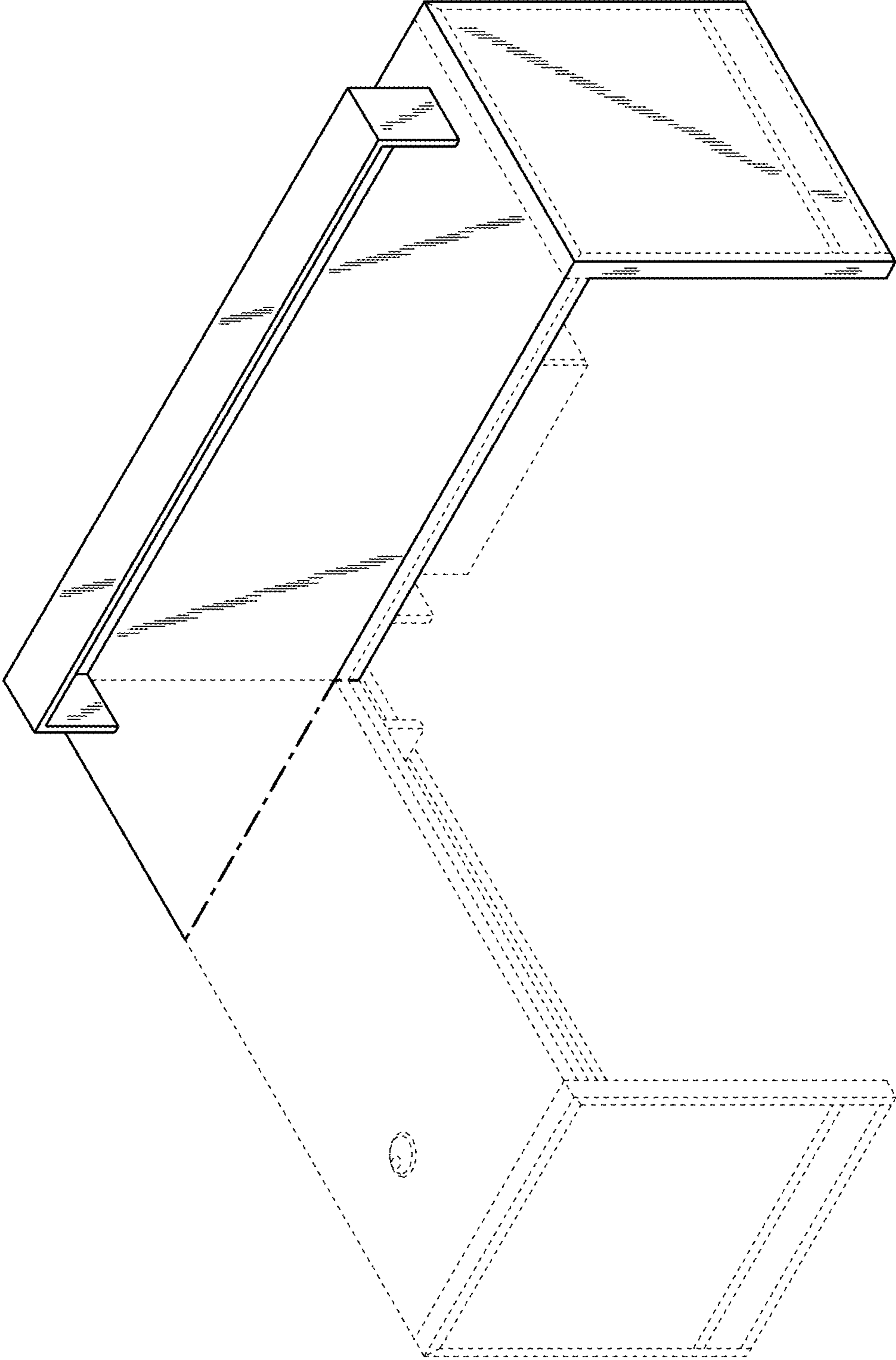


FIG. 2

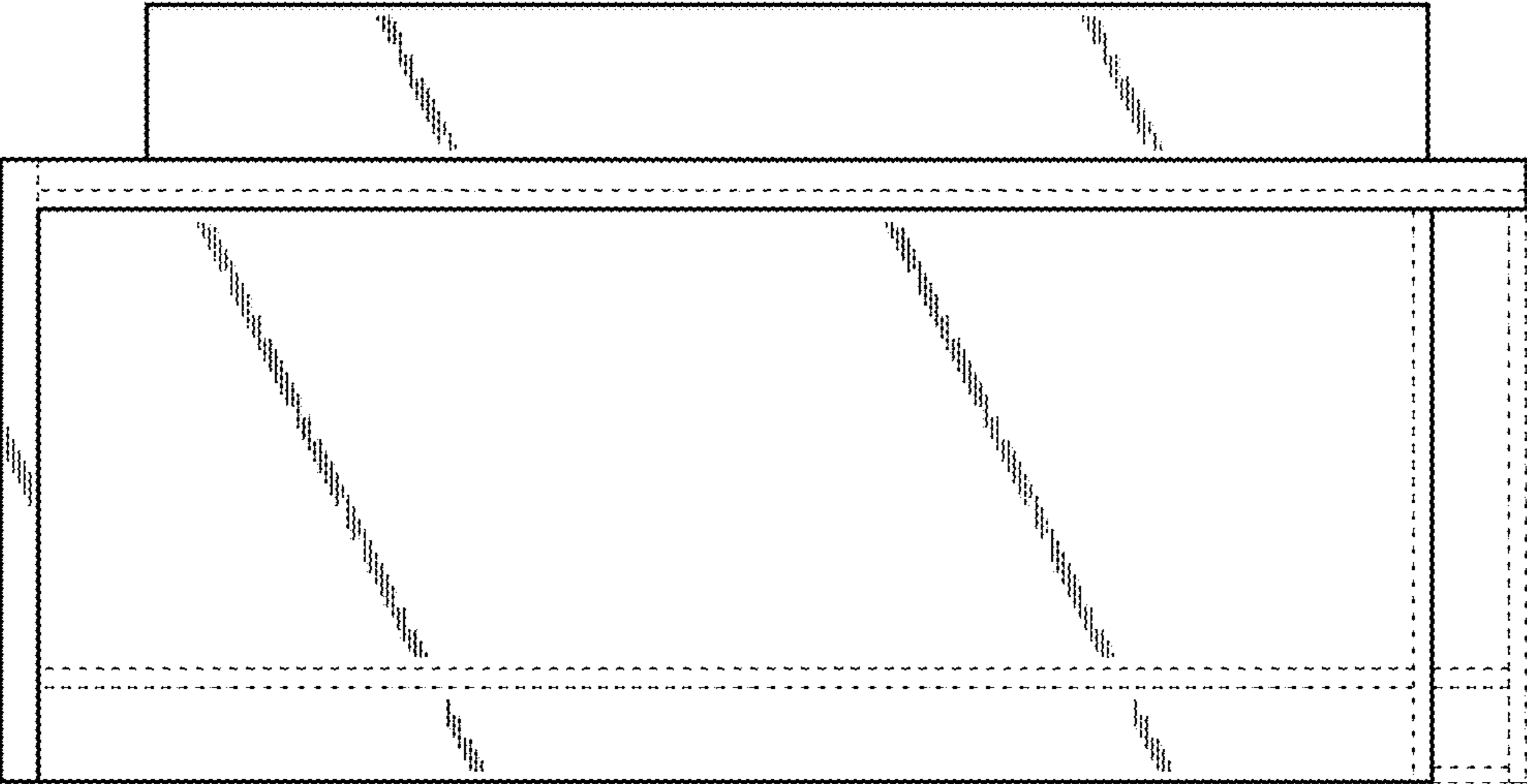


FIG. 3

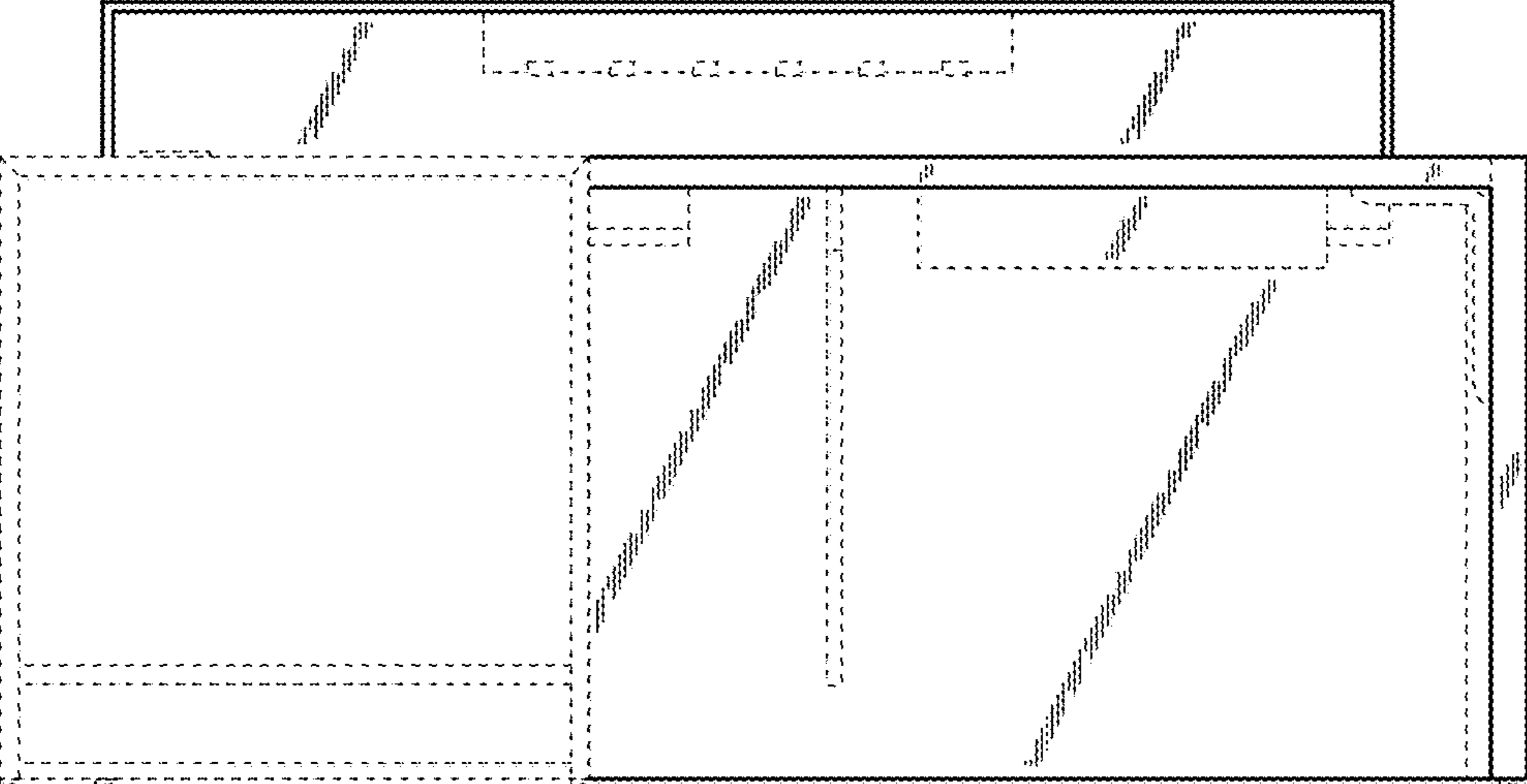


FIG. 4

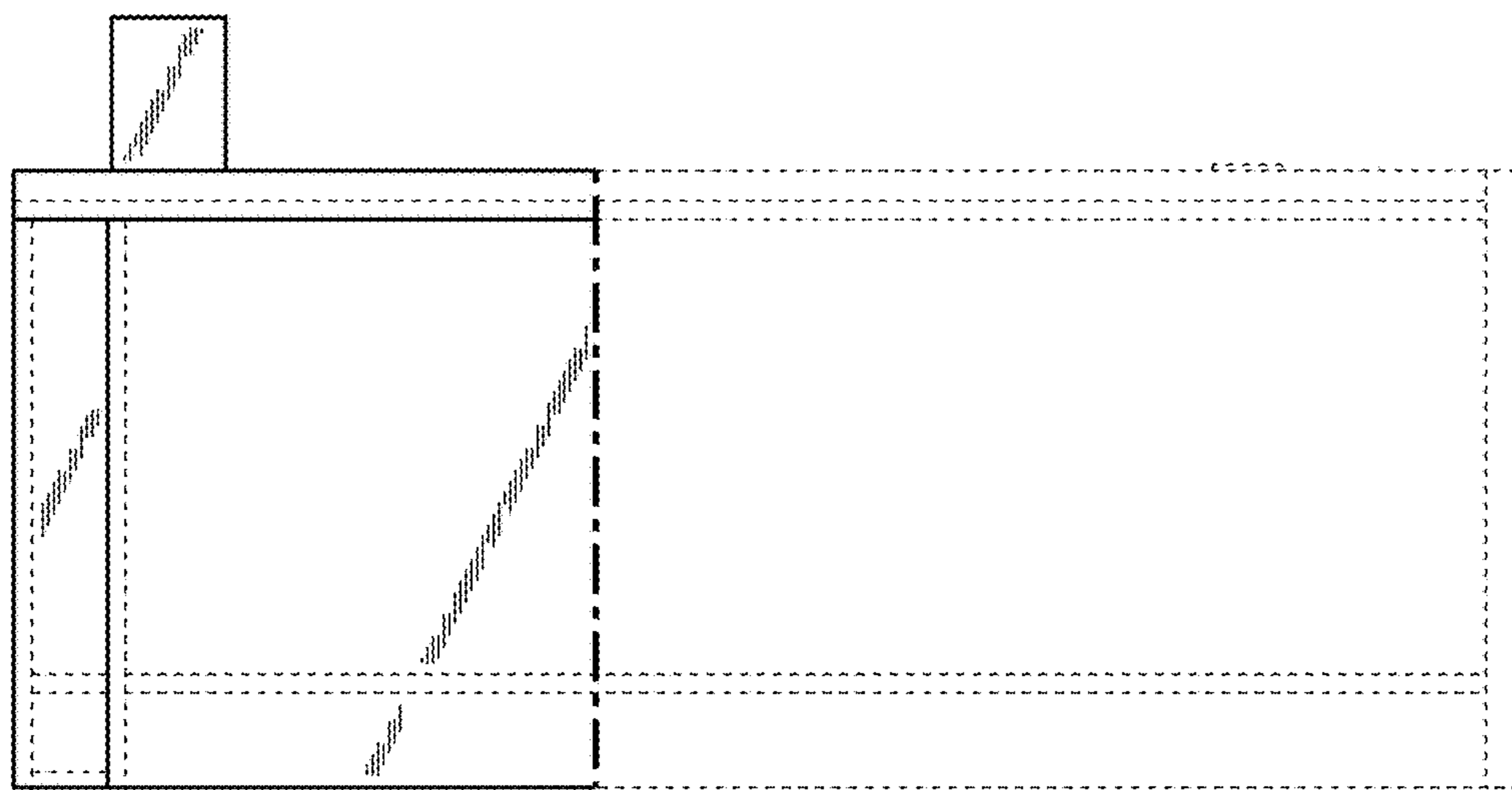


FIG. 5

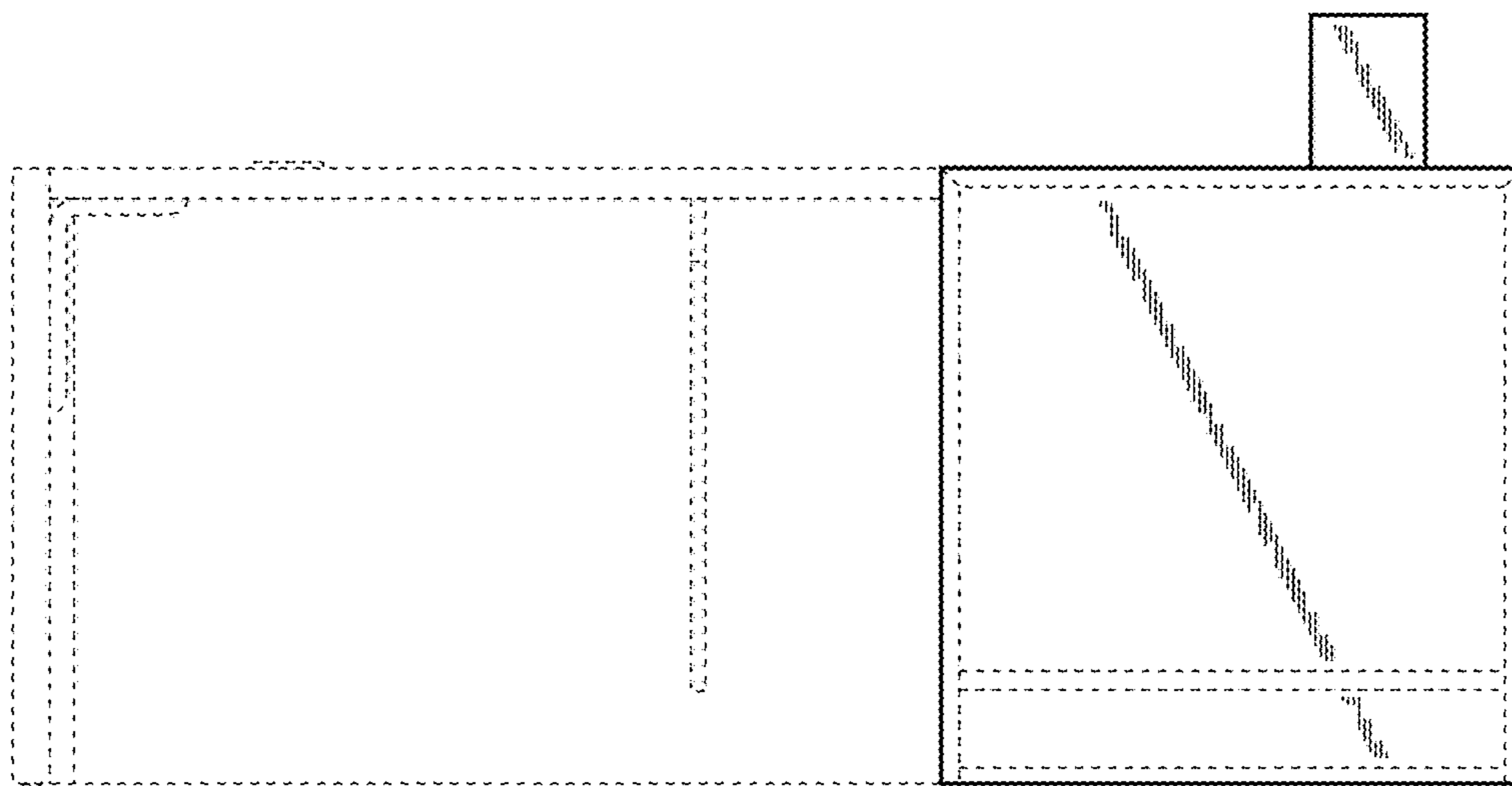


FIG. 6

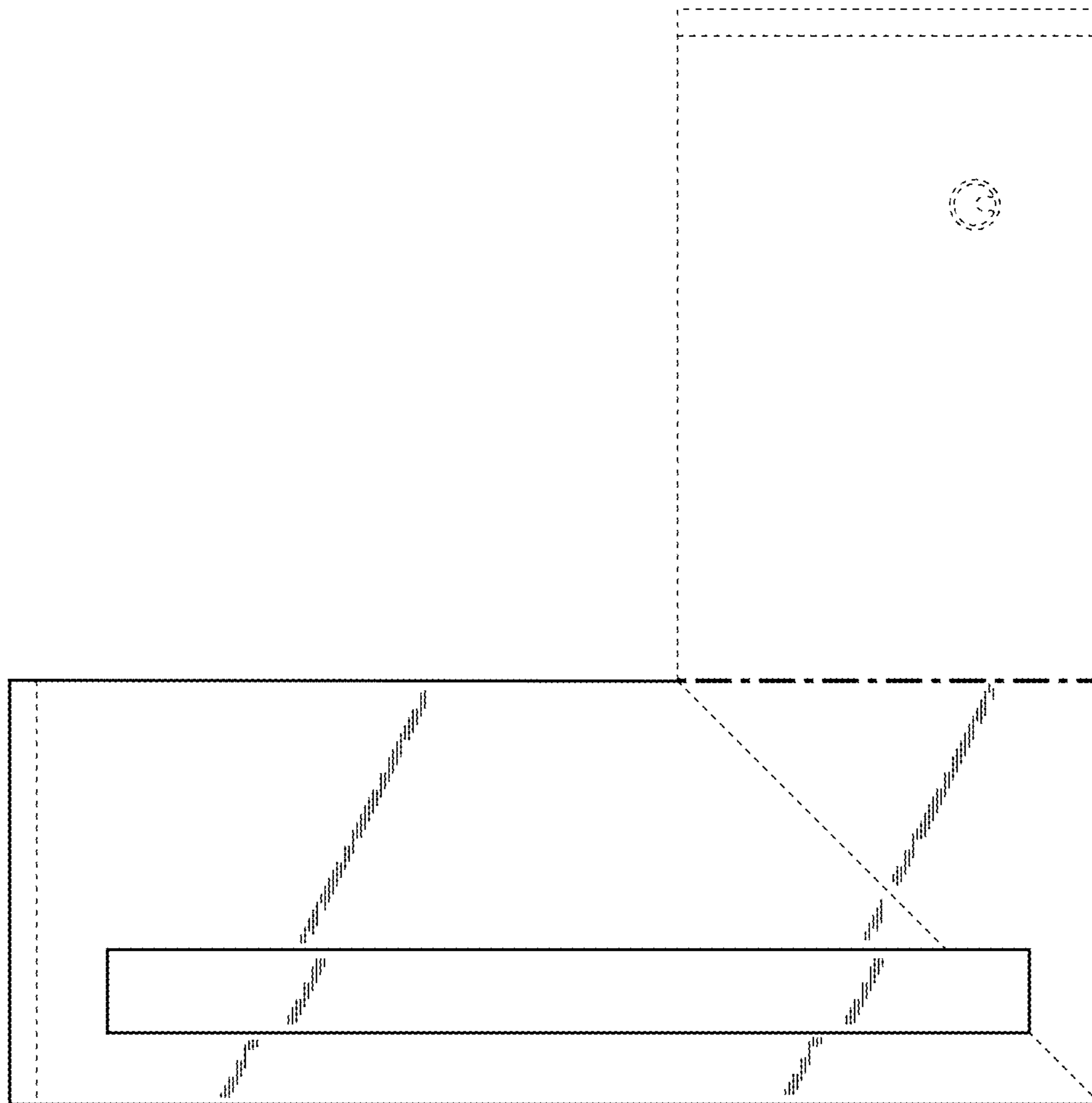


FIG. 7