

US00D840725S

(12) **United States Design Patent** (10) **Patent No.:** **US D840,725 S**
Feldman (45) **Date of Patent:** **** Feb. 19, 2019**

(54) **SHEET HAVING CELL PHONE POCKETS**
(71) Applicant: **GHCL Limited**, Uttar Pradesh (IN)
(72) Inventor: **Nancy Feldman**, Woodbury, NY (US)
(73) Assignee: **GHCL Limited**, Uttar Pradesh (IN)
(**) Term: **15 Years**

(21) Appl. No.: **29/625,909**
(22) Filed: **Nov. 14, 2017**
(51) **LOC (11) Cl.** **06-13**
(52) **U.S. Cl.**
USPC **D6/602**
(58) **Field of Classification Search**
USPC D6/602, 603; 5/495-497
CPC A47G 9/02; A47G 9/0238; A47G 9/0246
See application file for complete search history.

(56) **References Cited**

U.S. PATENT DOCUMENTS

3,789,441	A *	2/1974	Weiss	A47G 9/0246
					5/497
4,686,726	A *	8/1987	Dunfee	A47C 21/022
					5/485
6,178,574	B1 *	1/2001	Stromatt	A47G 9/0238
					5/485
6,594,836	B1 *	7/2003	Everson	A47G 9/0246
					5/485
6,854,139	B2	2/2005	Lamy		
6,983,500	B2	1/2006	Wootten		
7,131,152	B2 *	11/2006	Wootten, Jr.	A47G 9/0246
					5/485
D546,613	S *	7/2007	Oconnor	D6/597
8,776,287	B1	7/2014	Jarrett		
D828,055	S *	9/2018	Chen	D6/601
2002/0018601	A1 *	2/2002	Nelson	A47C 21/003
					383/7
2012/0201482	A1	8/2012	Gawronski		
2013/0125308	A1	5/2013	Fittin, III et al.		

2015/0342361	A1 *	12/2015	Shih	A47C 27/146
					5/694
2016/0007774	A1 *	1/2016	Kakabeeke	A47G 9/0246
					5/496
2016/0347509	A1	12/2016	Callan et al.		
2017/0007047	A1	1/2017	Shi		
2018/0070748	A1 *	3/2018	Bell	A47G 9/0246
2018/0116432	A1 *	5/2018	Sotelo	A47G 9/0246

FOREIGN PATENT DOCUMENTS

CA		2381431	A1 *	10/2003	A47C 31/00
CA		2397513	A1 *	2/2004	A47G 9/02

* cited by examiner

Primary Examiner — R. Johnson
(74) *Attorney, Agent, or Firm* — Buchanan Ingersoll & Rooney PC

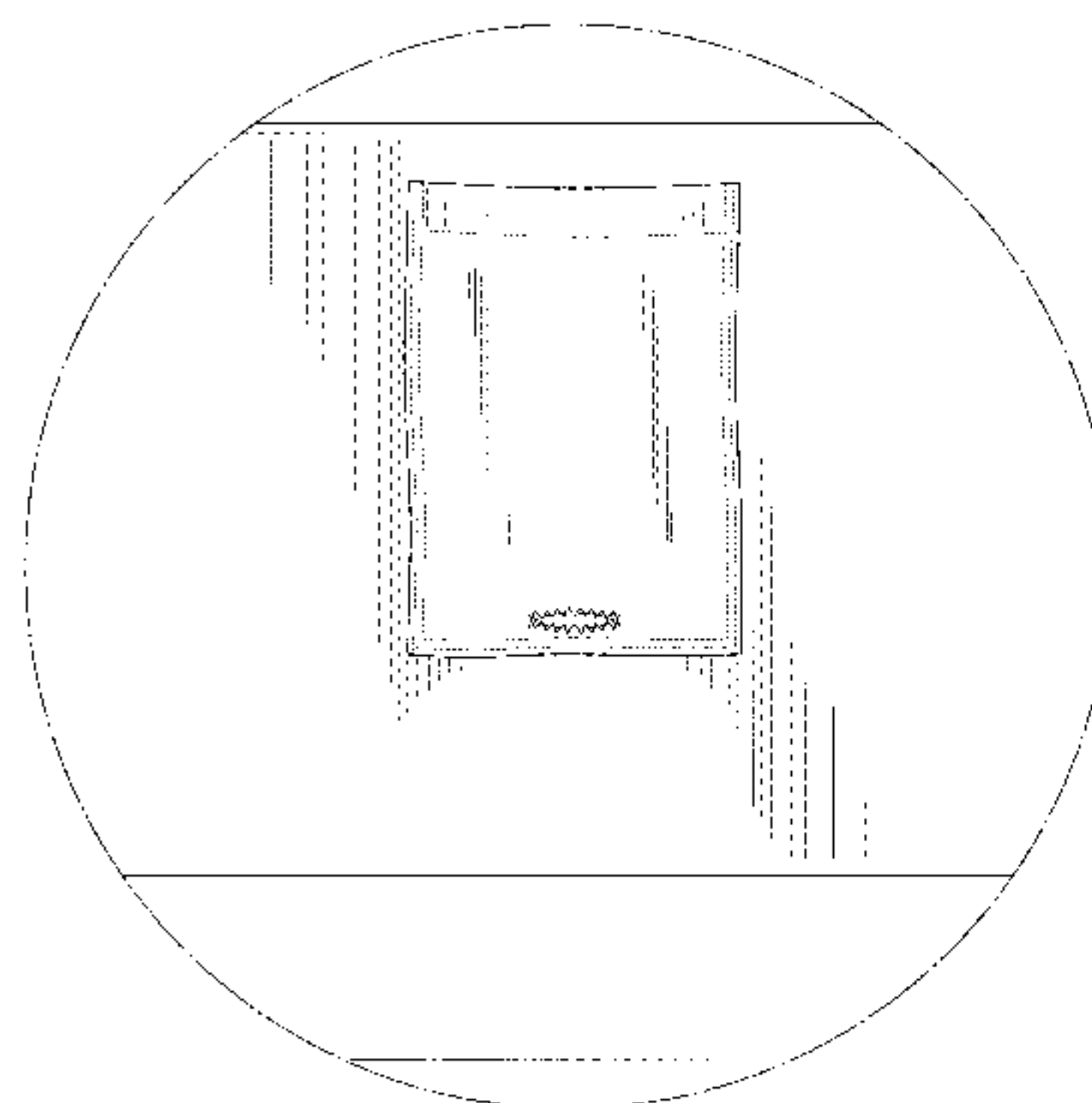
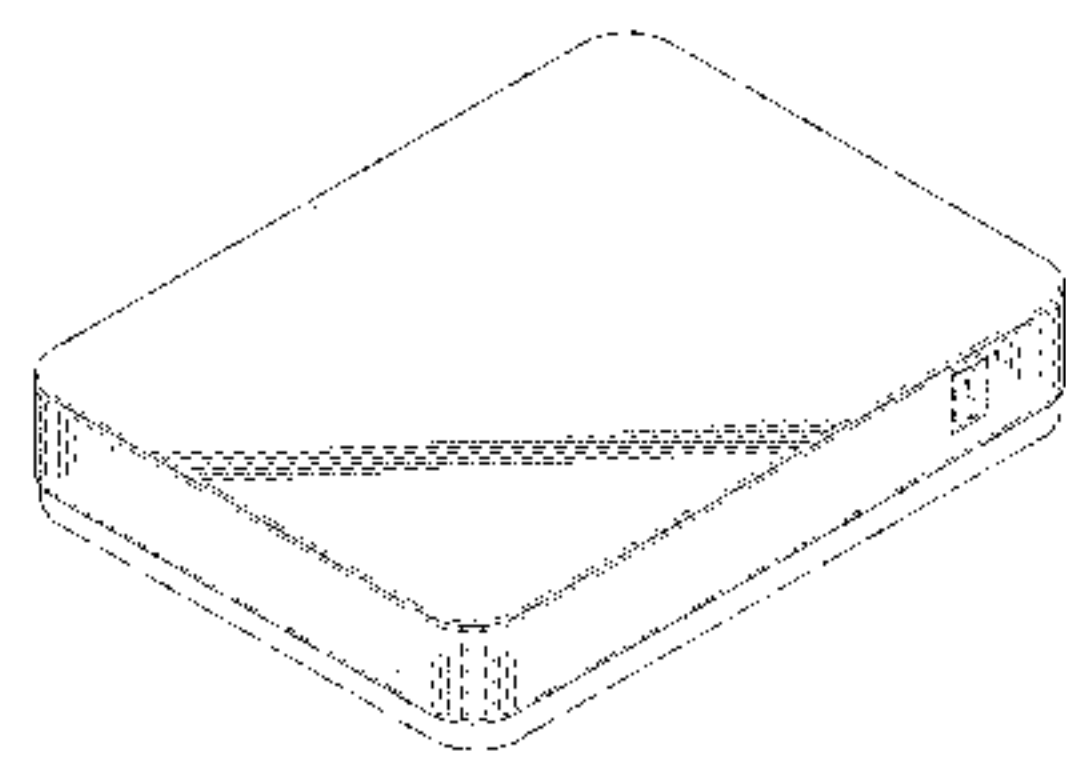
(57) **CLAIM**

The ornamental design for a sheet having cell phone pockets, as shown and described.

DESCRIPTION

FIG. 1 is a perspective view of my sheet having cell phone pockets as it would appear when placed on a mattress; FIG. 2 is an end view thereof; FIG. 3 is a left side view thereof; FIG. 4 is a right side view thereof; FIG. 5 is a top view thereof; FIG. 6 is a bottom view thereof; and, FIG. 7 is an enlarged view of a portion of my sheet having cell phone pockets within the circle drawn in broken line in FIG. 3 showing the pocket. A portion of a mattress over which the sheet having cell phone pockets has been placed is shown in broken lines in FIGS. 1, 2, 3, 4 and 7 and forms no part of the claimed design. The dash lines and the zigzag lines in FIG. 7 indicate stitching.

1 Claim, 3 Drawing Sheets



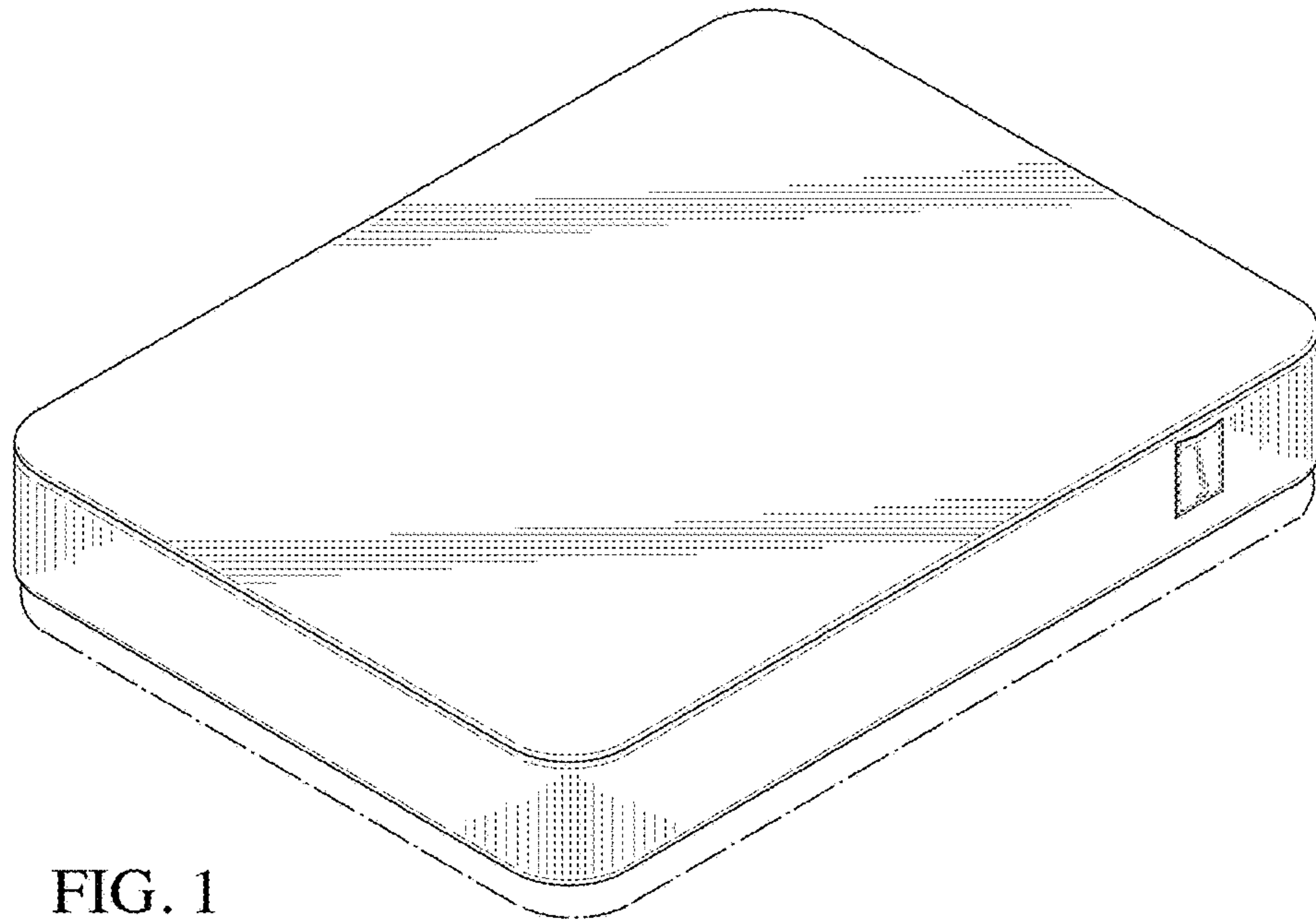


FIG. 1

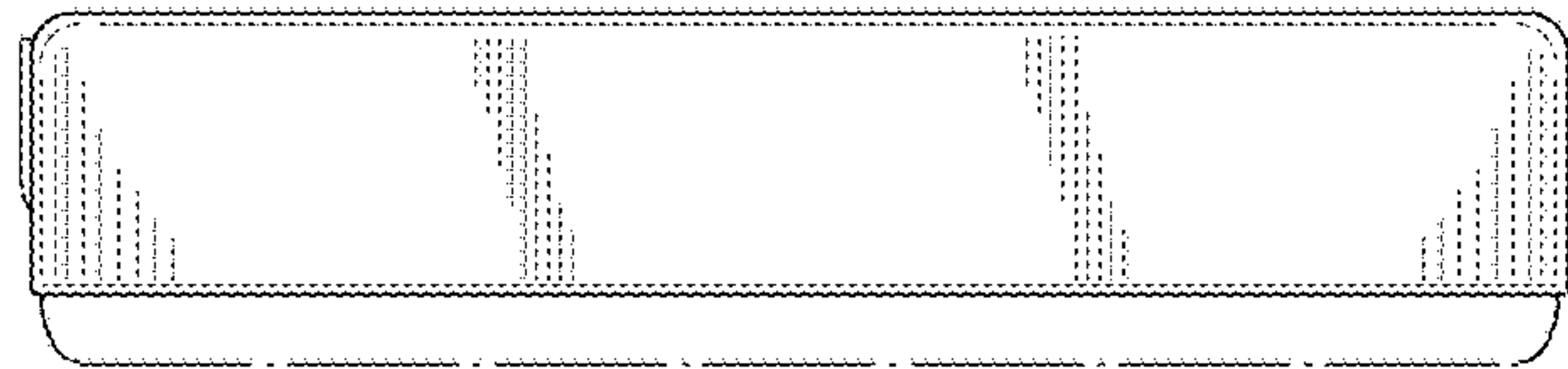


FIG. 2

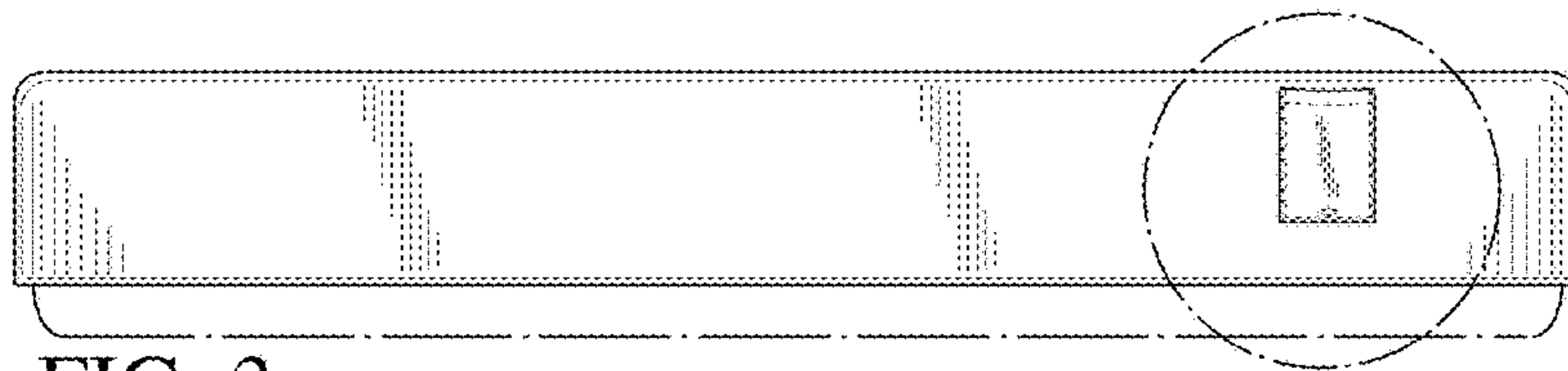


FIG. 3

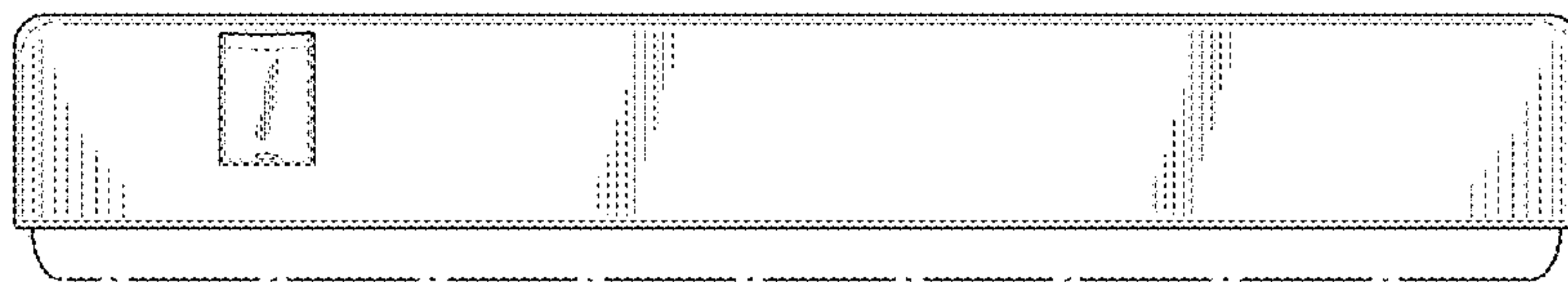


FIG. 4

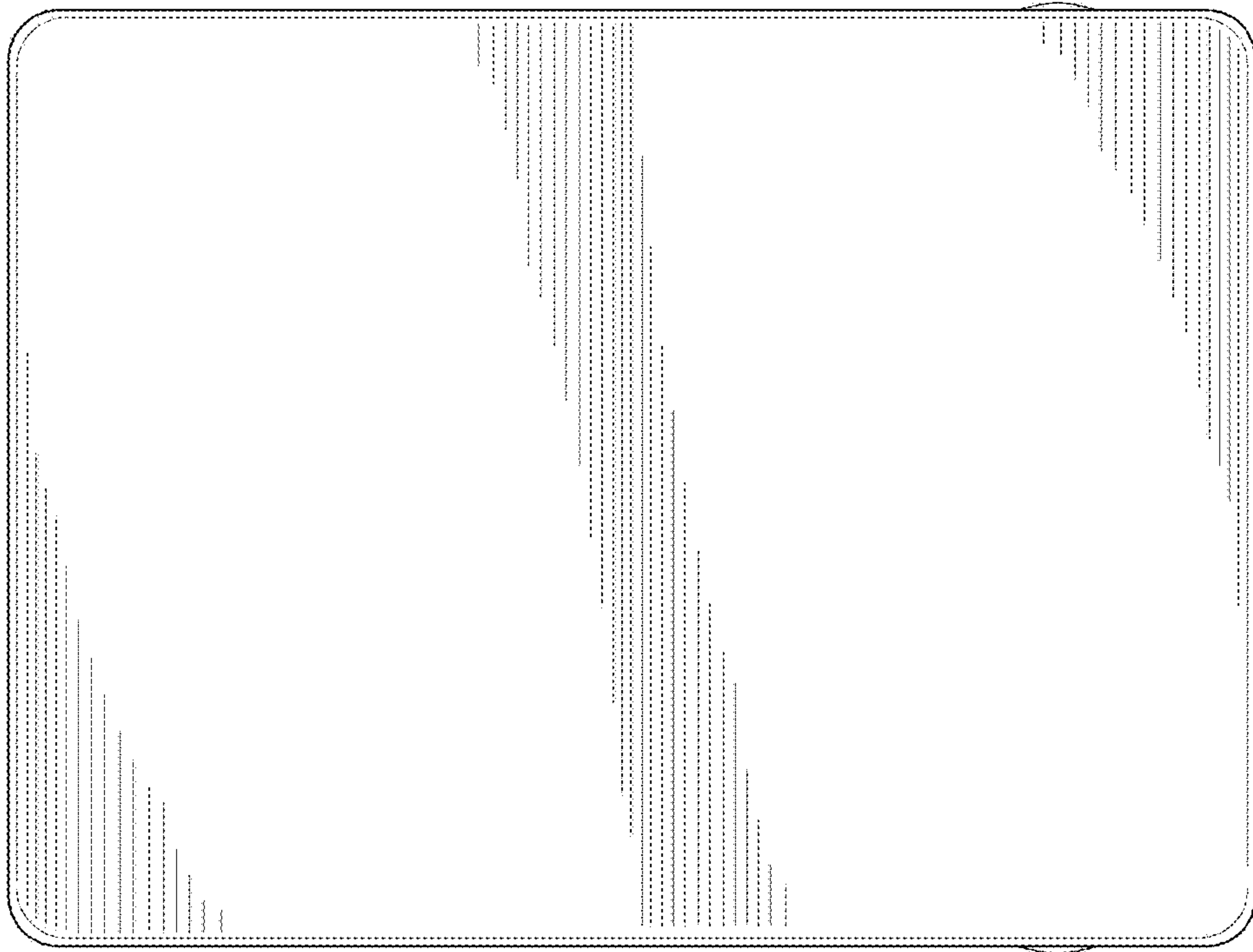


FIG. 5

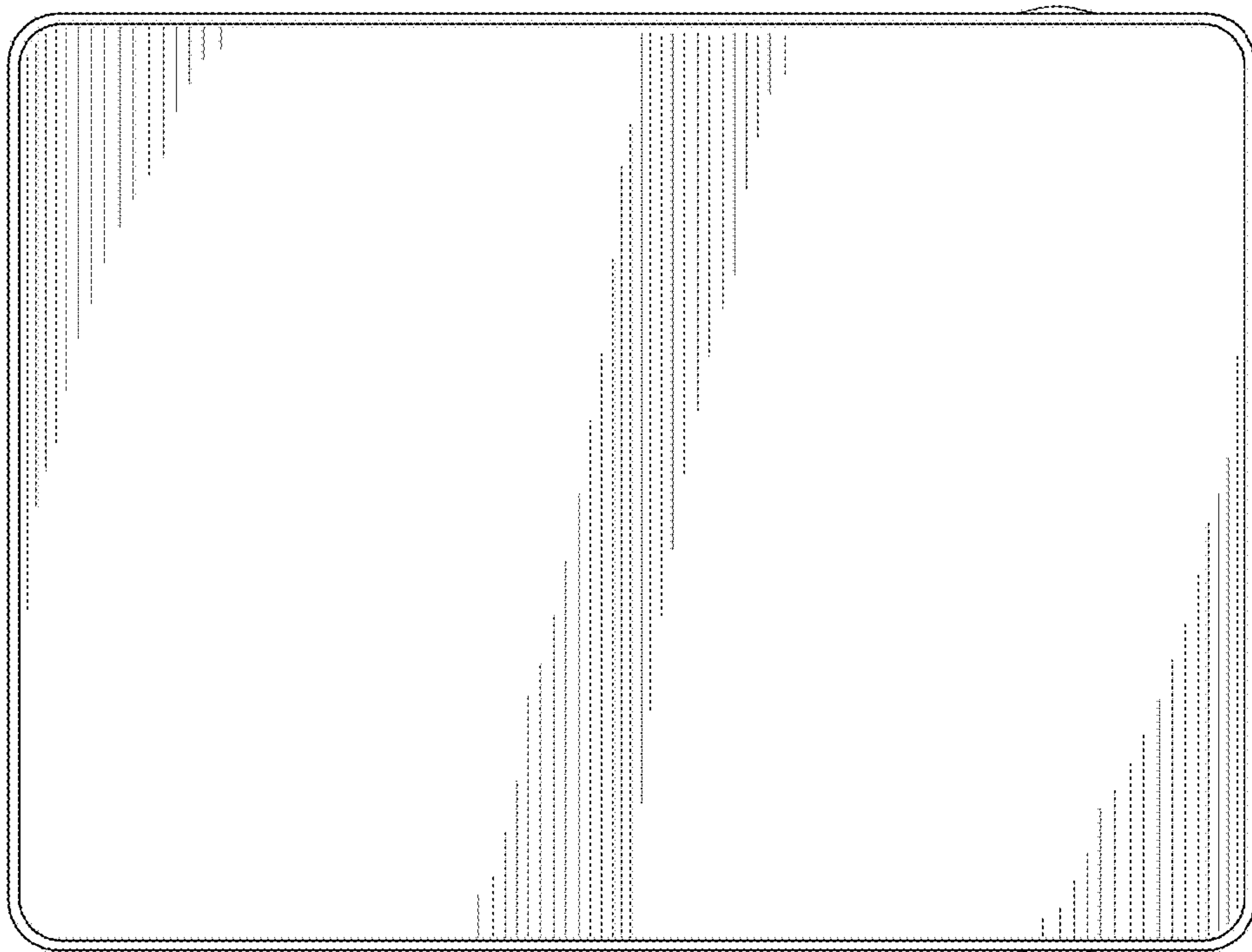


FIG. 6

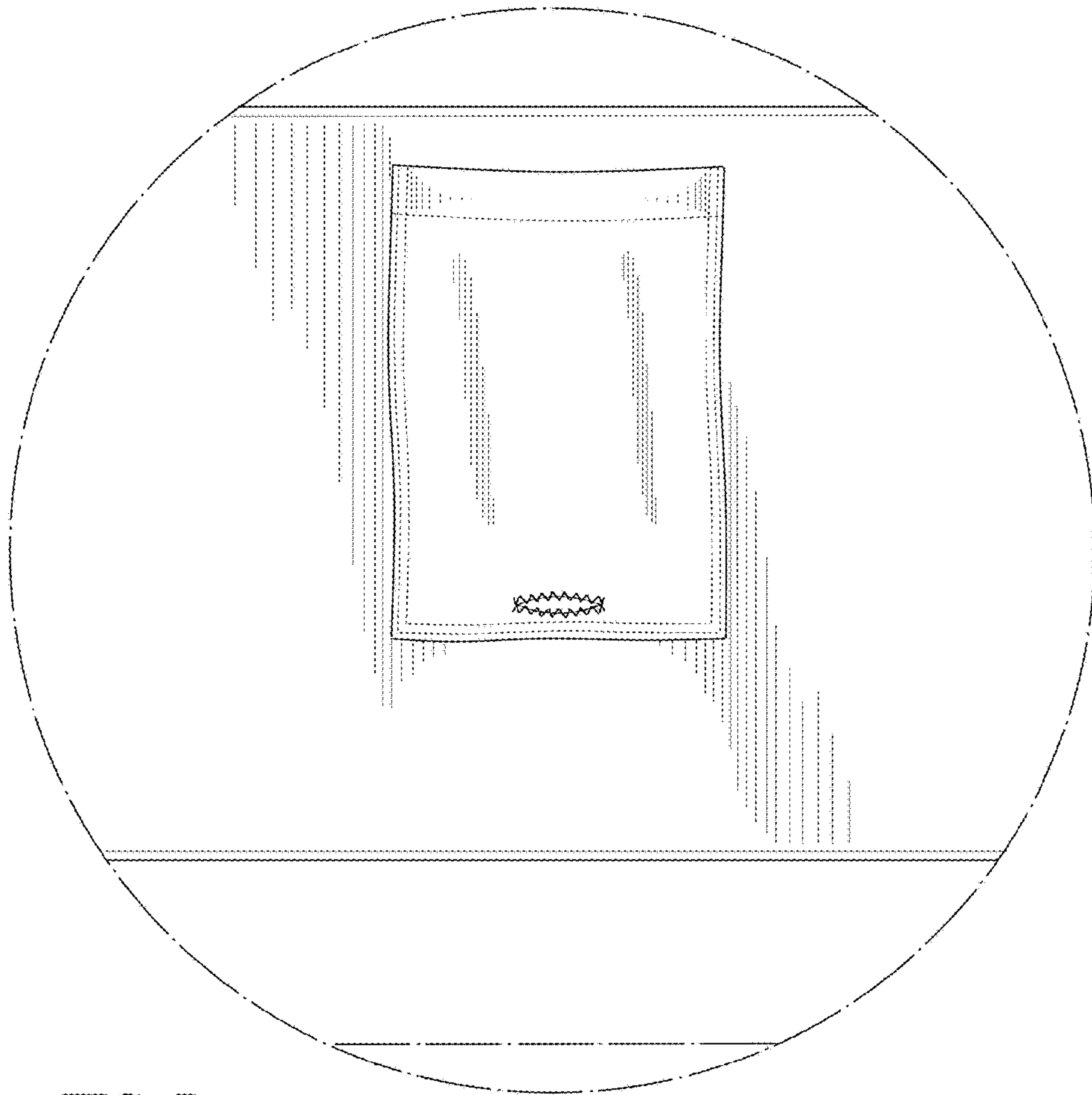


FIG. 7