



US00D840716S

(12) **United States Design Patent** (10) **Patent No.:** **US D840,716 S**
Kuo (45) **Date of Patent:** **** Feb. 19, 2019**

(54) **WIRE MESH COMPARTMENT HANGING DOOR RACK**

(71) Applicant: **EP Family Corp.**, Walnut, CA (US)

(72) Inventor: **Hung-Chih Kuo**, Walnut, CA (US)

(**) Term: **15 Years**

(21) Appl. No.: **29/586,426**

(22) Filed: **Dec. 2, 2016**

(51) **LOC (11) Cl.** **06-06**

(52) **U.S. Cl.**
USPC **D6/566**; D6/513

(58) **Field of Classification Search**
USPC D6/512-514, 524, 525, 553, 566, 567;
D3/304, 314
CPC A47B 87/0207; A47L 19/04; A47L 15/50;
B65D 7/44; B65D 7/20; B65D 71/003;
B65D 61/00; A47J 47/16; B07C 7/02;
B42F 17/08; B42F 17/02; B42F 15/0035;
A47F 7/00; A47F 7/163; A47F 7/145;
A47F 5/0807; A47F 5/13; A47F 5/0025;
A47F 5/0068; A47F 5/01

See application file for complete search history.

(56) **References Cited**

U.S. PATENT DOCUMENTS

D231,883 S *	6/1974	Kramer	D6/573
D323,600 S *	2/1992	Patke	D6/675.5
D343,712 S *	1/1994	Linder	D6/513
D449,481 S *	10/2001	Snell	D6/566
D450,213 S *	11/2001	Snell	D6/566
D497,070 S *	10/2004	Tipping	D6/566
D540,091 S *	4/2007	Snell	D6/566
D554,417 S *	11/2007	Thorsteinsson	D6/566
D577,237 S *	9/2008	Goodman	D6/566
D584,056 S *	1/2009	Ghiorghie	D3/304
D588,814 S *	3/2009	Ghiorghie	D3/304
D588,815 S *	3/2009	Ghiorghie	D3/304

D616,680 S *	6/2010	Snider	D6/513
D617,126 S *	6/2010	Snider	D6/513
D628,385 S *	12/2010	Klein	D6/513
D650,209 S *	12/2011	Snider	D6/513
D690,108 S *	9/2013	Goodman	D3/306
D705,565 S *	5/2014	Schraufnagel	D6/513
D717,070 S *	11/2014	Callif	D6/553
D728,255 S *	5/2015	Guindi	D6/513
D751,763 S *	3/2016	Goodman	D26/38
D757,457 S *	5/2016	Guindi	D6/513
D762,421 S *	8/2016	Goodman	D6/566
D773,207 S *	12/2016	Tsai	D6/566
D779,232 S *	2/2017	Pan	D6/524
D784,701 S *	4/2017	Goodman	D3/306

* cited by examiner

Primary Examiner — David G Muller

Assistant Examiner — Nathan M Johnston

(74) *Attorney, Agent, or Firm* — Tommy SF Wang; Wang IP Law Group, P.C.

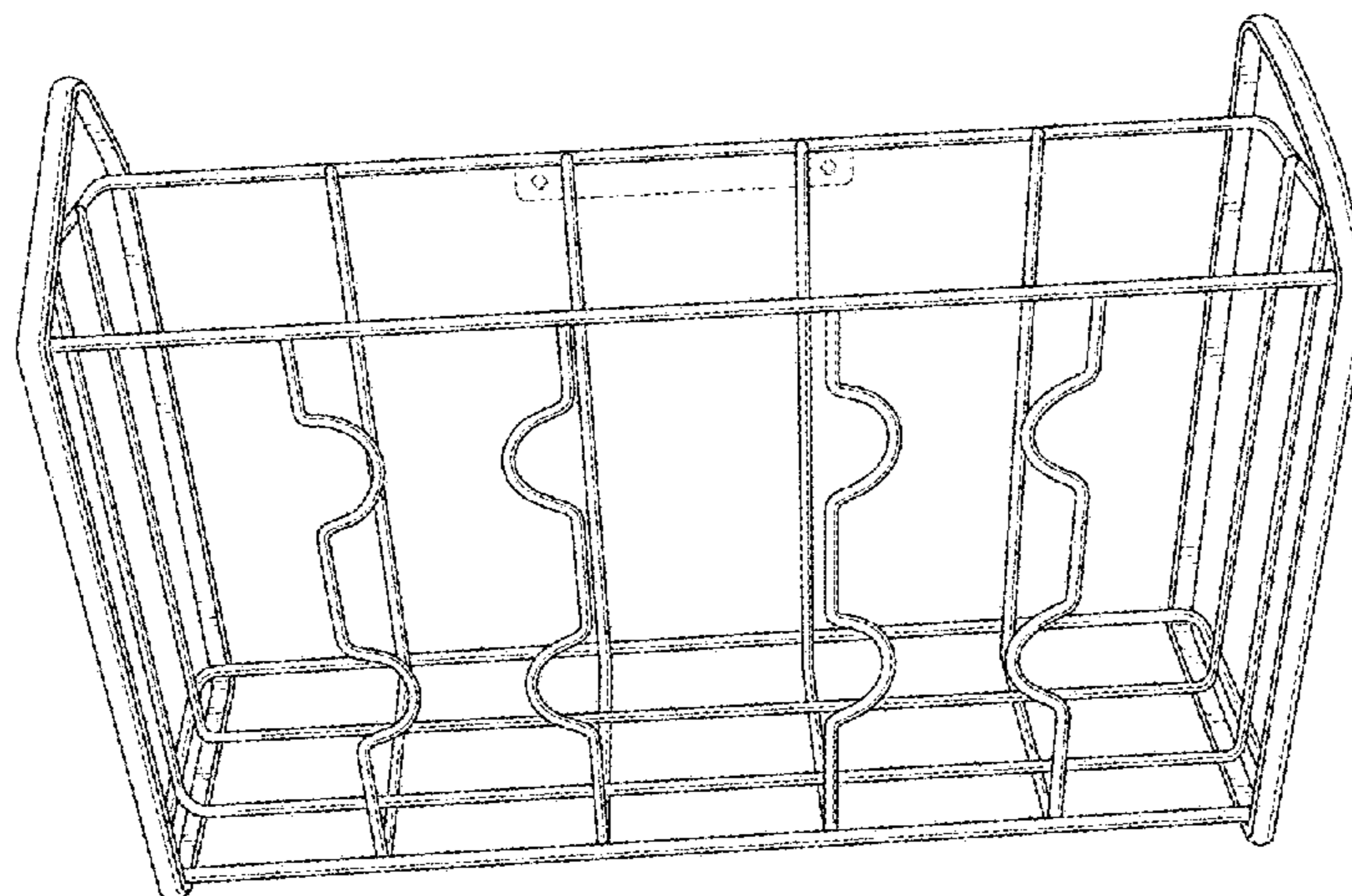
(57) **CLAIM**

The ornamental design for a wire mesh compartment hanging door rack, as shown and described.

DESCRIPTION

FIG. 1 is a front perspective view of a wire mesh compartment hanging door rack showing my new design; FIG. 2 is a bottom perspective view thereof; FIG. 3 is a front view thereof; FIG. 4 is a rear view thereof; FIG. 5 is a left side view thereof; FIG. 6 is a right side view thereof; FIG. 7 is a top view thereof; FIG. 8 is a bottom view thereof; and, FIG. 9 is another front perspective view thereof with a dual hanger. The broken lines show portions of the design that form no part of the claimed design.

1 Claim, 8 Drawing Sheets



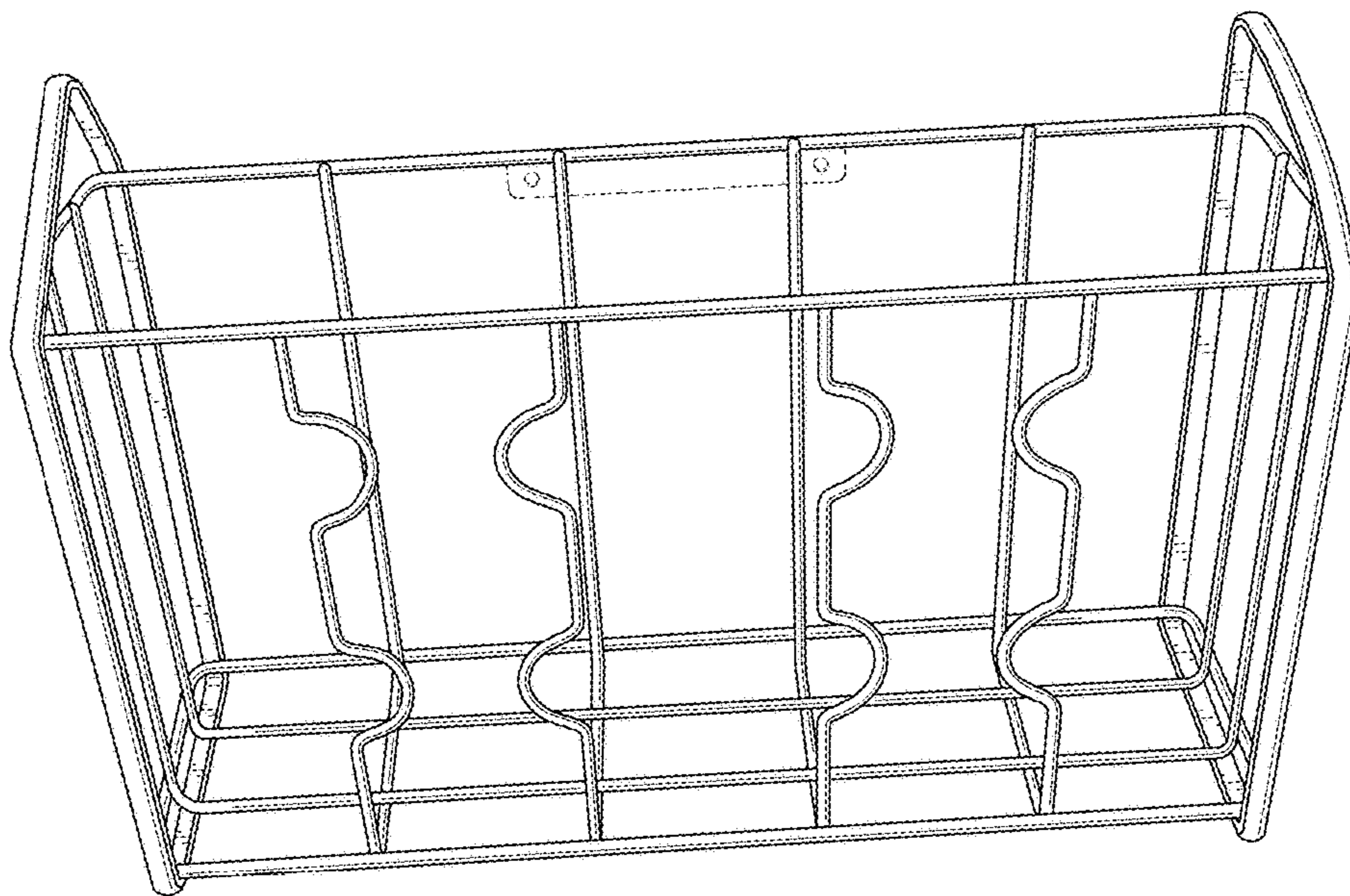


FIG. 1

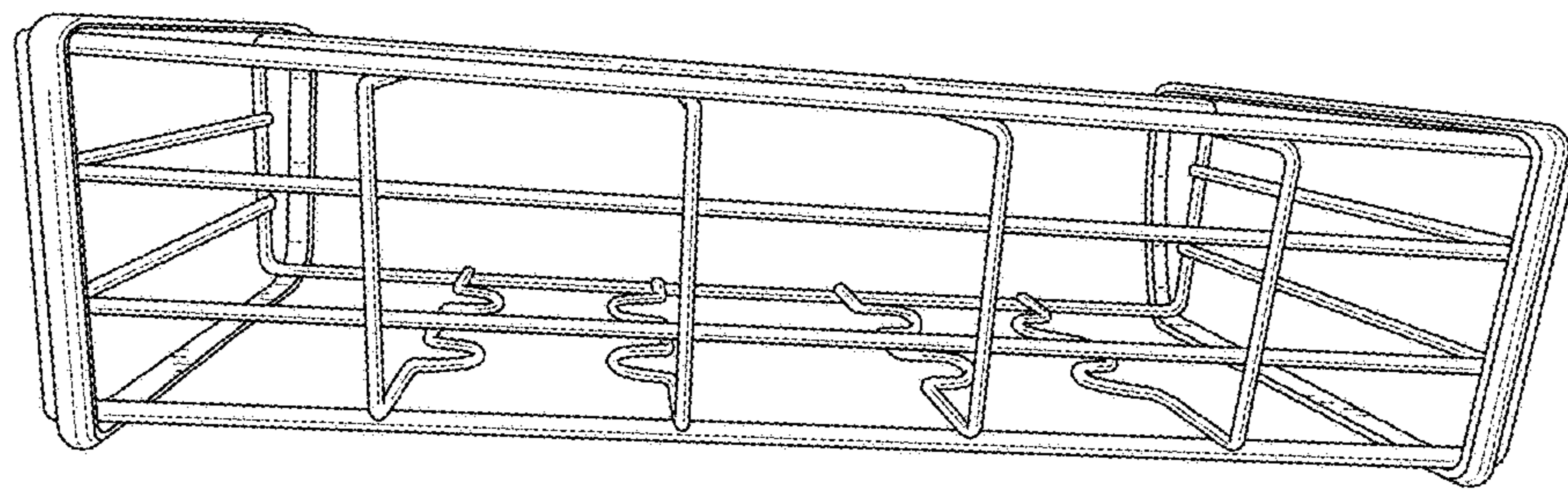


FIG. 2

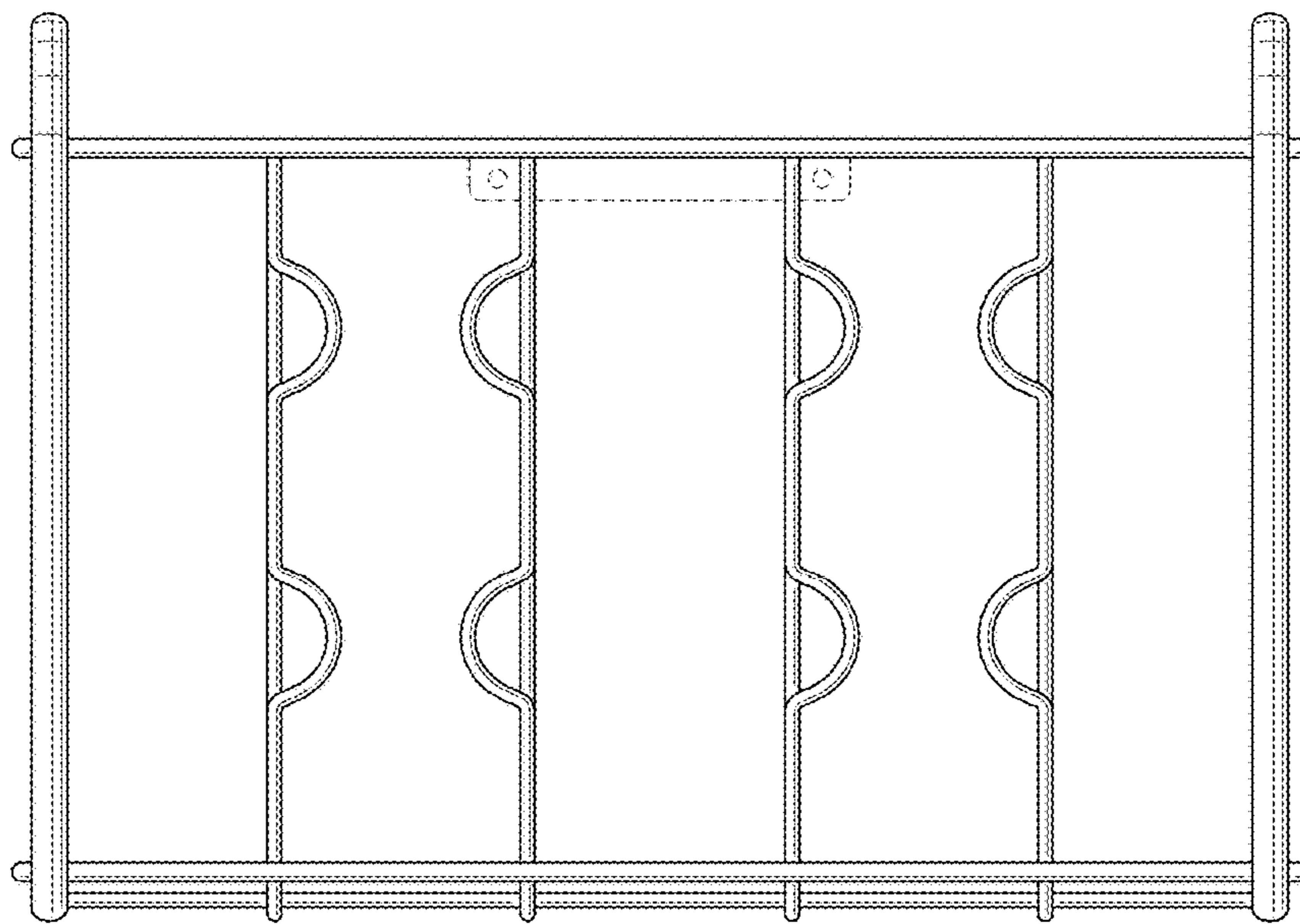


FIG. 3

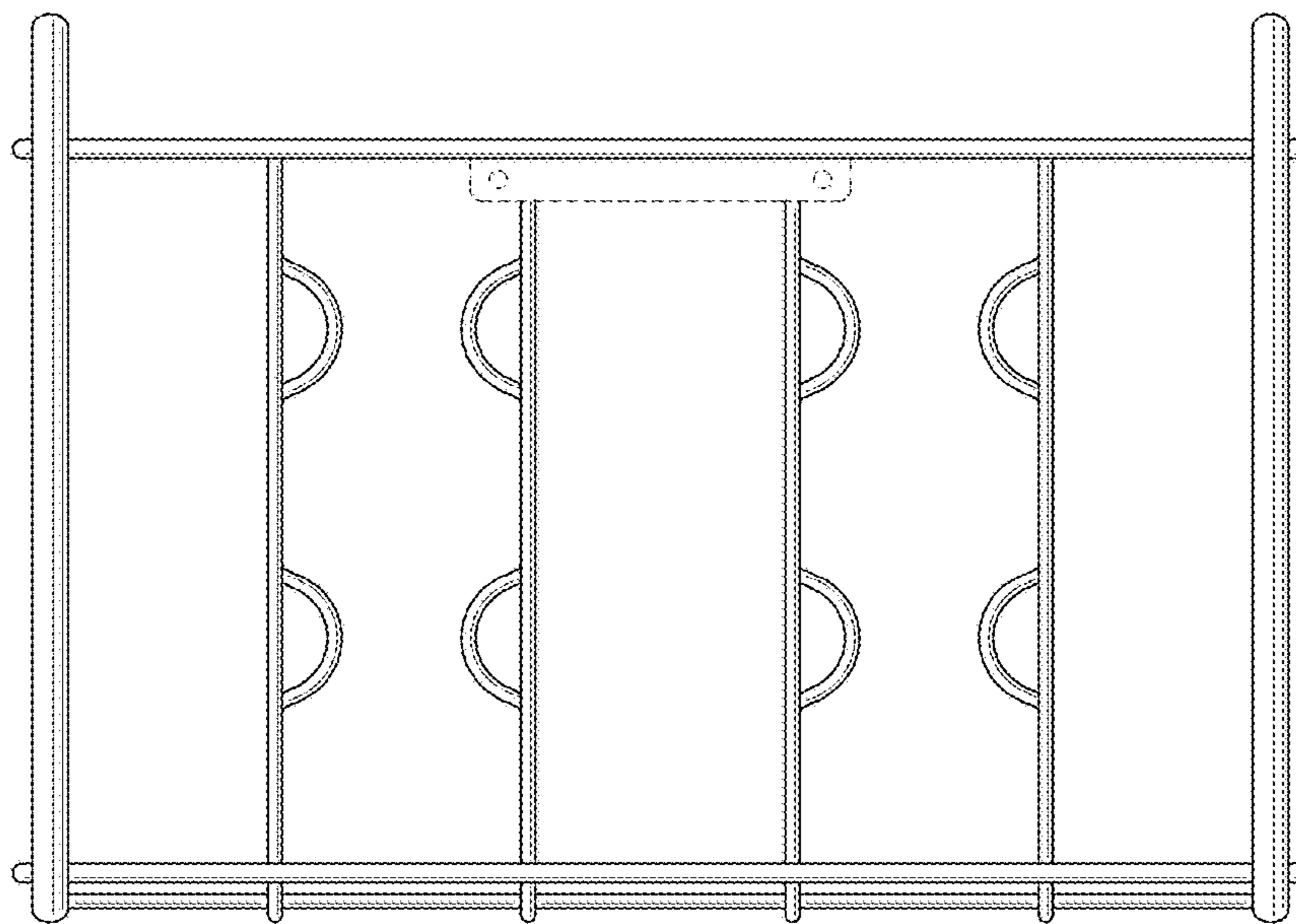


FIG. 4

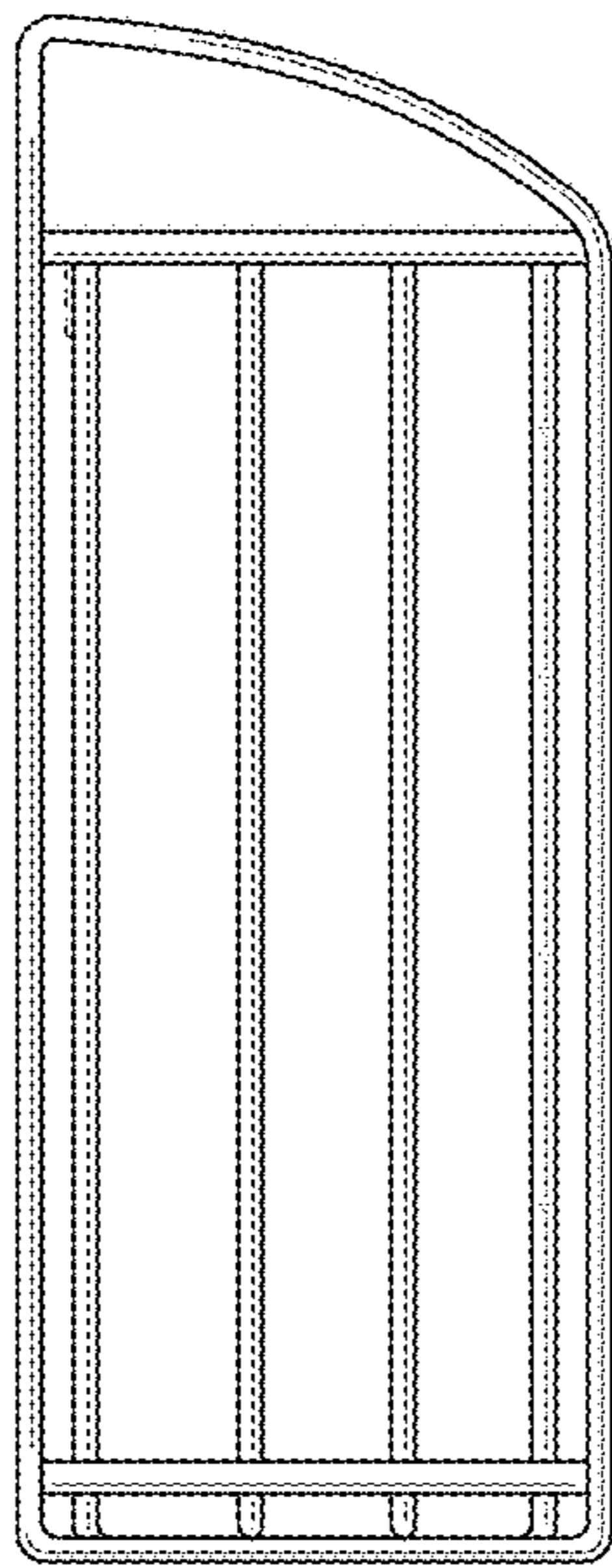


FIG. 5

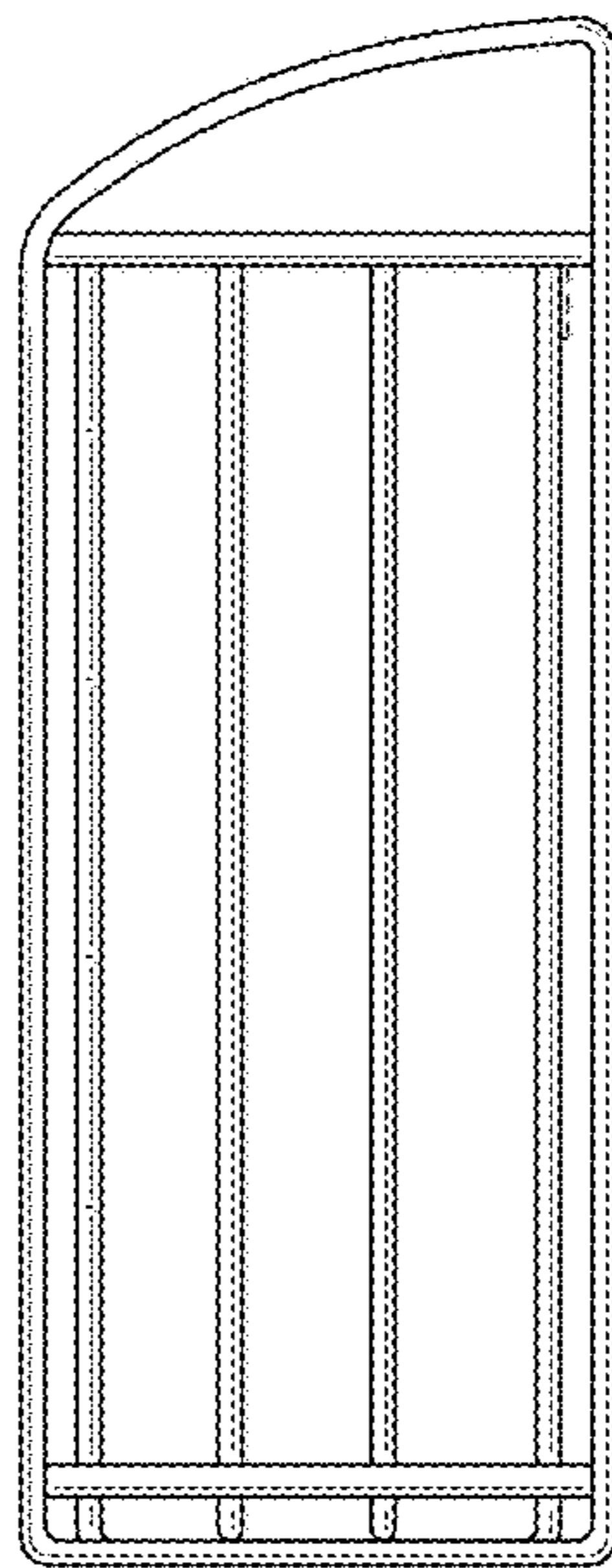


FIG. 6

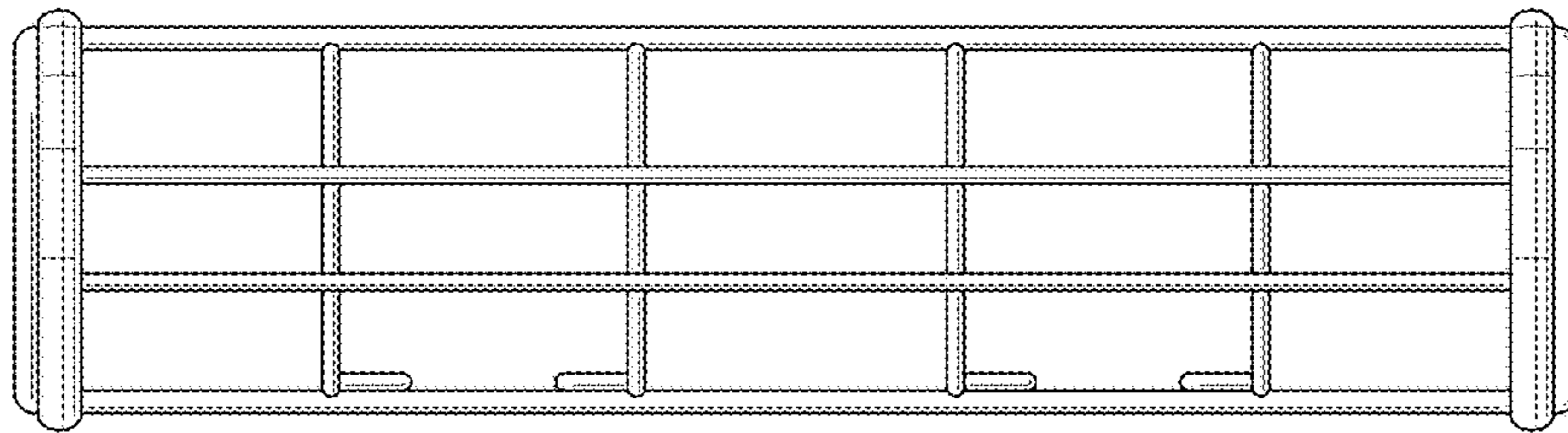


FIG. 7

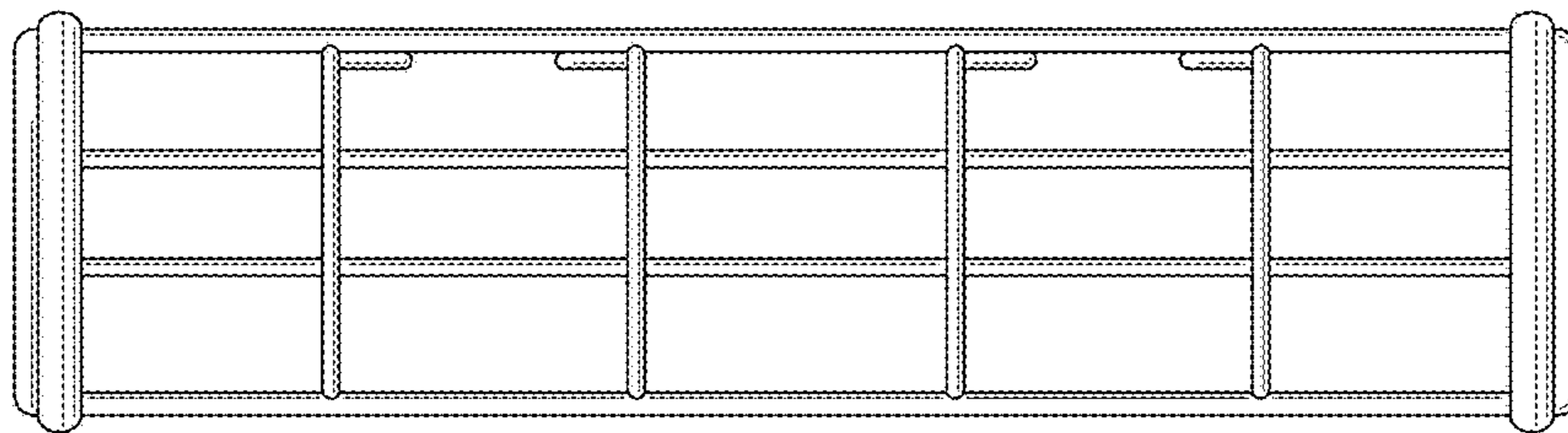


FIG. 8

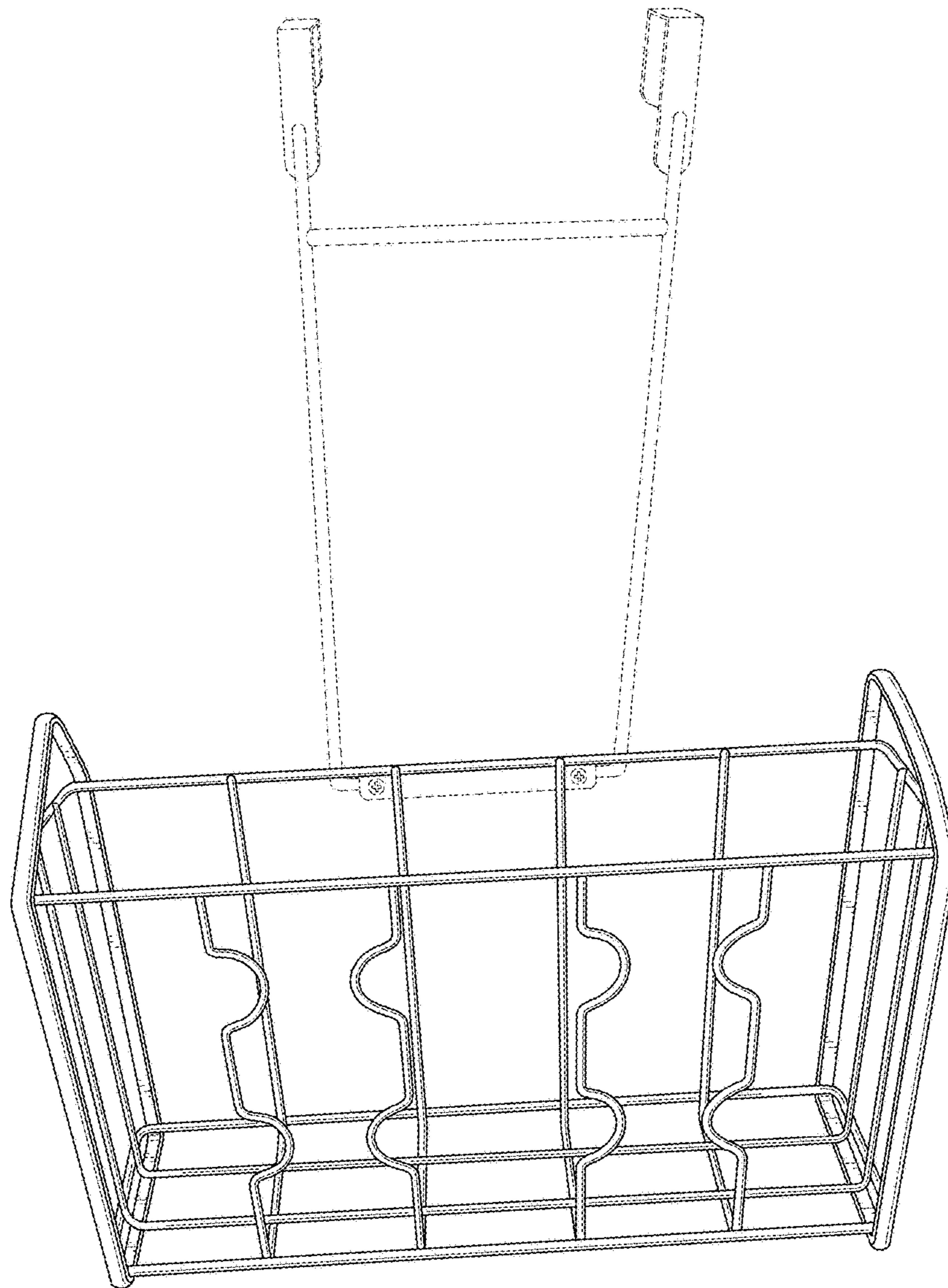


FIG. 9