



US00D840715S

(12) **United States Design Patent**
Löwenhielm

(10) **Patent No.:** **US D840,715 S**

(45) **Date of Patent:** **** Feb. 19, 2019**

(54) **PEGBOARD WITH ATTACHMENTS**

3,258,237 A * 6/1966 Beiman A47G 1/17
108/42

(71) Applicant: **Inter IKEA Systems BV**, Delft (NL)

3,310,271 A 3/1967 King
3,409,260 A * 11/1968 Bleed A47F 5/0823
248/220.22

(72) Inventor: **Eva Lilja Löwenhielm**, Saltsjöbaden (SE)

D226,457 S * 3/1973 Wilson D3/304
D241,297 S * 9/1976 Maslow D6/705.7
4,025,018 A * 5/1977 Thalenfeld A47F 5/0823
211/59.1

(73) Assignee: **INTER IKEA SYSTEMS BV**, Delft (NL)

(Continued)

(**) Term: **15 Years**

FOREIGN PATENT DOCUMENTS

(21) Appl. No.: **29/583,496**

BX 3834601 10/2010
CN 201230018676.5 8/2012

(22) Filed: **Nov. 6, 2016**

(Continued)

(30) **Foreign Application Priority Data**

OTHER PUBLICATIONS

May 12, 2016 (EM) 003124437

Ikea website, Skadis pegboard, Feb. 11, 2018, <https://www.ikea.com/us/en/catalog/products/50320805/> (Year: 2018).*

(51) **LOC (11) Cl.** **06-04**

(52) **U.S. Cl.**
USPC **D6/553**

(58) **Field of Classification Search**
USPC D6/553, 566, 571, 572; 211/87.01,
211/90.04; 248/220.31; D8/21-28;
D25/58, 138, 153, 156, 152, 155
CPC .. A47K 1/09; F16B 2/06; F16B 21/02; F16M
13/02; F16M 11/041
See application file for complete search history.

Primary Examiner — David G Muller
Assistant Examiner — Nathan M Johnston
(74) *Attorney, Agent, or Firm* — Tucker Ellis LLP

(57) **CLAIM**

The ornamental design for a pegboard with attachments, as shown and described.

(56) **References Cited**

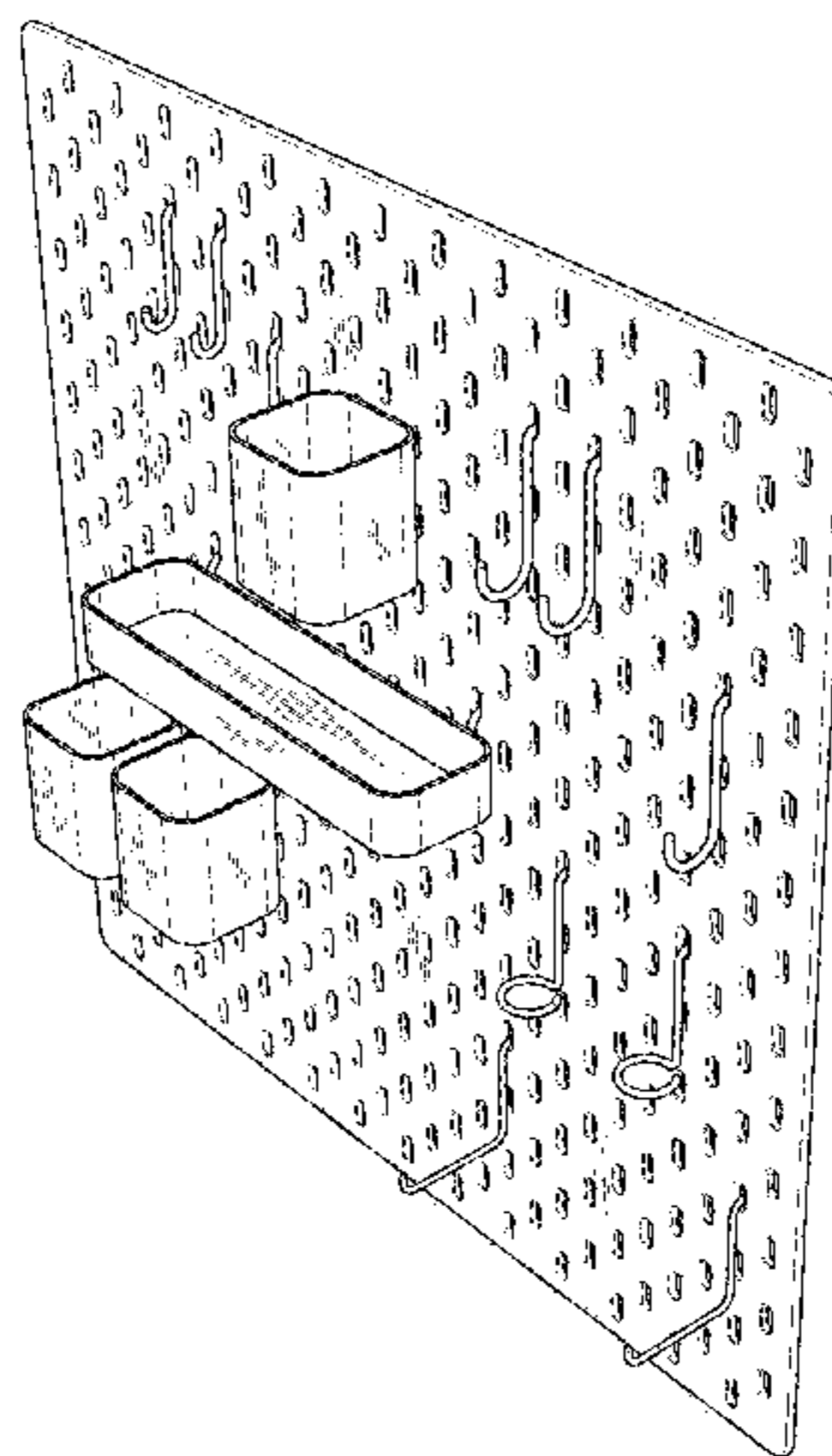
DESCRIPTION

U.S. PATENT DOCUMENTS

1,462,573 A * 7/1923 Hagaman D06F 1/04
68/233
1,966,167 A * 7/1934 Denk A47K 5/02
52/27
2,942,364 A 10/1957 Horton
3,014,597 A * 12/1961 McWherter A47F 5/0815
211/175
D200,048 S * 1/1965 Van Dyck D25/142
3,220,681 A * 11/1965 Erbert B65D 29/04
108/57.28

FIG. 1 is a perspective view a pegboard with attachments showing my new design.
FIG. 2 is a front view thereof.
FIG. 3 is a rear view thereof.
FIG. 4 is a right side view thereof.
FIG. 5 is a left side view thereof.
FIG. 6 is a top view thereof; and,
FIG. 7 is a bottom view thereof.

1 Claim, 5 Drawing Sheets



(56)

References Cited

FOREIGN PATENT DOCUMENTS

U.S. PATENT DOCUMENTS				FOREIGN PATENT DOCUMENTS			
				CN	201330393704.6		1/2014
				CN	201430528888.7		5/2015
4,143,845	A *	3/1979	Harris A47F 5/0815	EM	000007497-0002		7/2003
			248/220.43	EM	000063771-0001		2/2004
D253,968	S *	1/1980	Bogan D25/155	EM	000166517-0002		7/2004
D263,428	S *	3/1982	Bartscher D25/156	EM	000318829-0005		5/2005
D271,721	S *	12/1983	Howitt D3/304	EM	000323027-0001		5/2005
D273,998	S *	5/1984	Ballantine D25/155	EM	000460696-0004		3/2006
4,923,161	A *	5/1990	Fahringer A47F 5/0823	EM	000878673-0003		3/2008
			248/220.43	EM	000885868-0002		4/2008
4,947,984	A *	8/1990	Kaufman A45C 11/34	EM	000900865-0002		4/2008
			206/1.7	EM	001096754-0003		7/2009
5,012,997	A *	5/1991	Hutchison A47F 5/0869	EM	001096754-0004		7/2009
			211/59.1	EM	001096754-0005		7/2009
D329,296	S *	9/1992	Albrecht D25/156	EM	001620774-0001		11/2009
D343,259	S *	1/1994	Kovatch D25/156	EM	000998786-0002		3/2011
D343,260	S *	1/1994	Kovatch D25/156	EM	001863424-0002		5/2011
5,423,436	A *	6/1995	Morrow A47F 5/0823	EM	001999988-0001		3/2012
			211/59.1	EM	002021790-0003		4/2012
5,490,650	A	2/1996	Pendergrass	EM	002146654-0002		12/2012
5,556,068	A	9/1996	Gorelik	EM	001354716-0001		1/2013
D406,646	S *	3/1999	Stone D24/155	EM	002214122-0002		4/2013
6,019,328	A *	2/2000	Allen A47F 5/0823	EM	002155291-0012		5/2013
			248/220.31	EM	002254532-0001		10/2013
D442,814	S *	5/2001	Sterling D6/553	EM	002446666-0006		6/2014
D446,414	S *	8/2001	Schafer D6/553	EM	002614107-0005		1/2015
6,493,890	B2 *	12/2002	Smeed A61G 1/04	ES	00519374-0001		5/2014
			108/49	FR	59882-0002		12/1958
D498,634	S	11/2004	Winig	FR	890138-0001		12/1989
D573,828	S	7/2008	Clokey	FR	890138-0002		12/1989
D582,699	S	12/2008	Nelson	FR	890138-0003		12/1989
D636,621	S	4/2011	Kluge	FR	890138-0004		12/1989
7,963,621	B1 *	6/2011	Ellis B25H 3/04	FR	916674-0002		10/1991
			312/242	FR	925679-0002		9/1992
D678,701	S	3/2013	Hansen	FR	955209-0019		2/1996
8,459,472	B2	6/2013	Hofman	FR	956883-0008		5/1996
8,685,068	B2 *	4/2014	Sixto A61B 17/8014	FR	982198-0001		10/1998
			606/286	FR	985384-0002		1/1999
9,980,582	B1 *	5/2018	Levy A47F 5/0018	FR	987435-0003		4/1999
D820,003	S *	6/2018	Capdepon D6/553	FR	987269-0003		5/1999
2007/0051284	A1 *	3/2007	Shapiro A47B 43/00	FR	987646-0001		5/1999
			108/59	FR	012160-0003		7/2001
2007/0290107	A1 *	12/2007	Lang A47F 5/0815	FR	074377-0001		11/2007
			248/220.31	FR	096165-0001		11/2010
2009/0014602	A1 *	1/2009	Frost B60R 7/08	FR	20115015-0001		12/2011
			248/100	FR	20122144-0002		7/2012
2010/0051769	A1 *	3/2010	Tyson A47F 5/0807	FR	20152308-0023		12/2015
			248/220.31	FR	20155324-0001		12/2015
2010/0187154	A1 *	7/2010	Angelocci B65D 73/0064	IT	2013BAO000032-8		10/2013
			206/736	SE	80324-0001		10/2008
2011/0259772	A1 *	10/2011	Forsyth B29C 65/561	SK	702014000005016-3		5/2015
			206/320				
2013/0276343	A1 *	10/2013	Peters F41C 33/006				
			42/90				
2015/0189977	A1 *	7/2015	Thompson A45F 5/02				
			24/3.7				

* cited by examiner

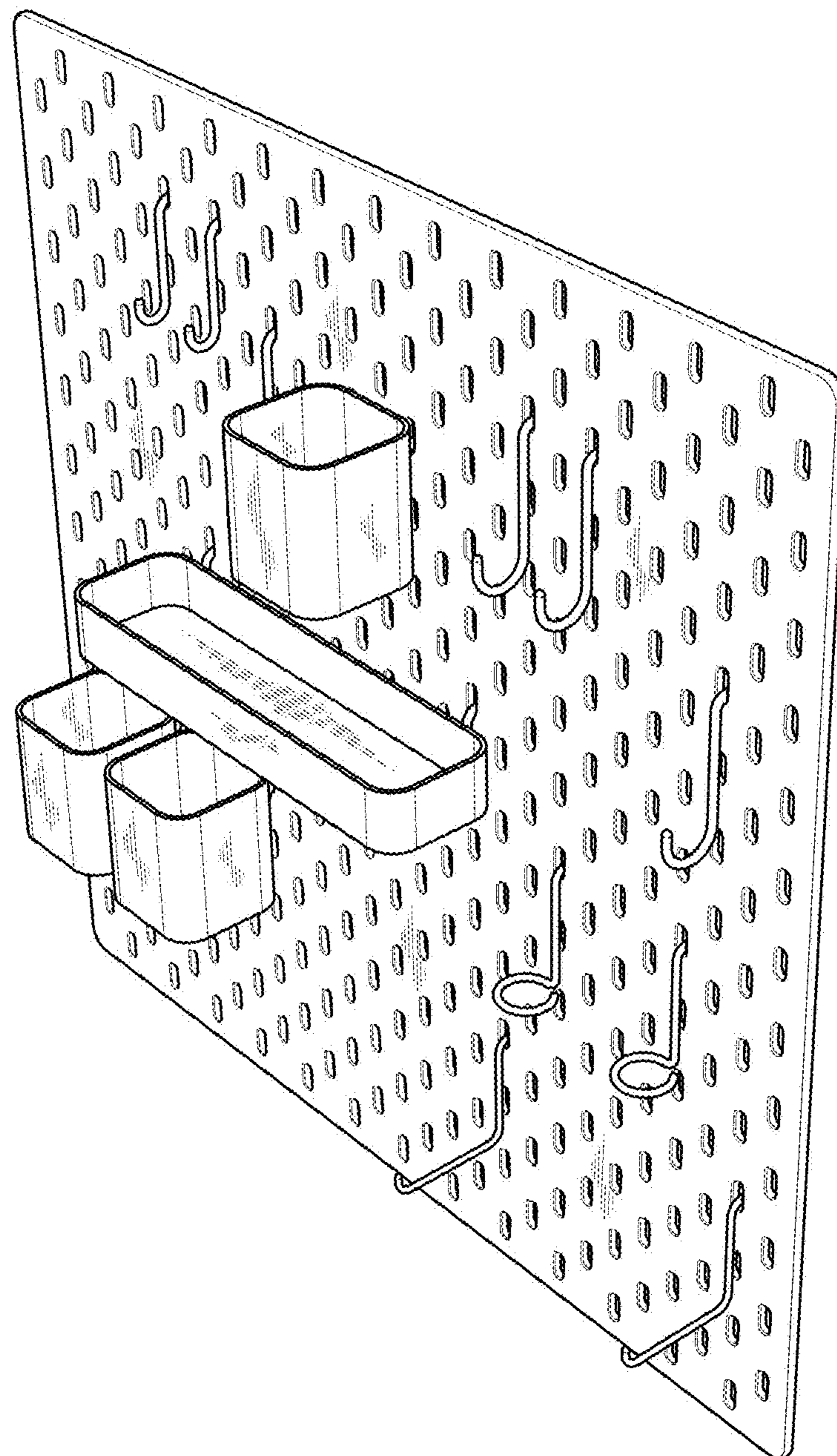


FIG. 1

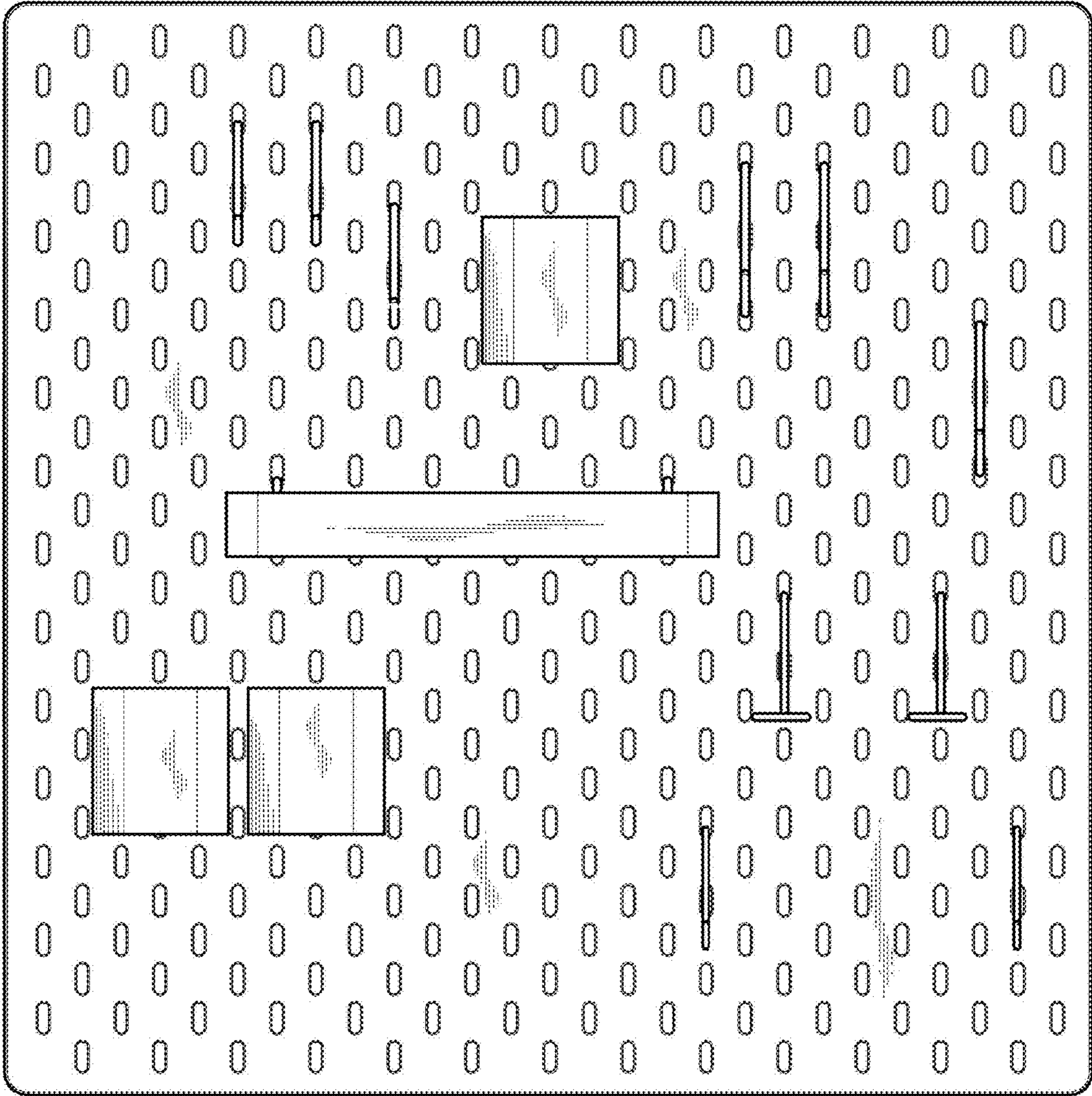


FIG. 2

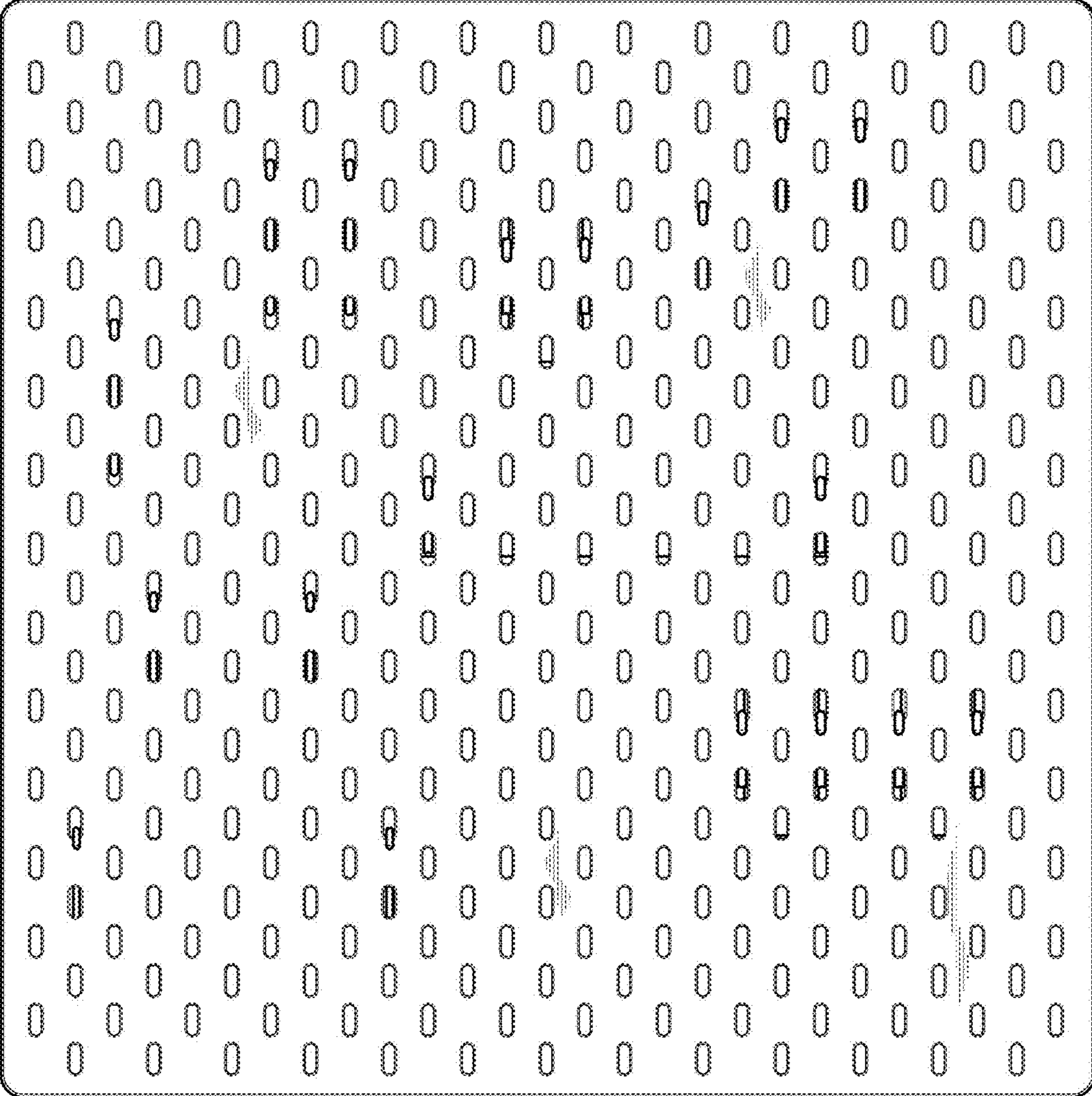


FIG. 3

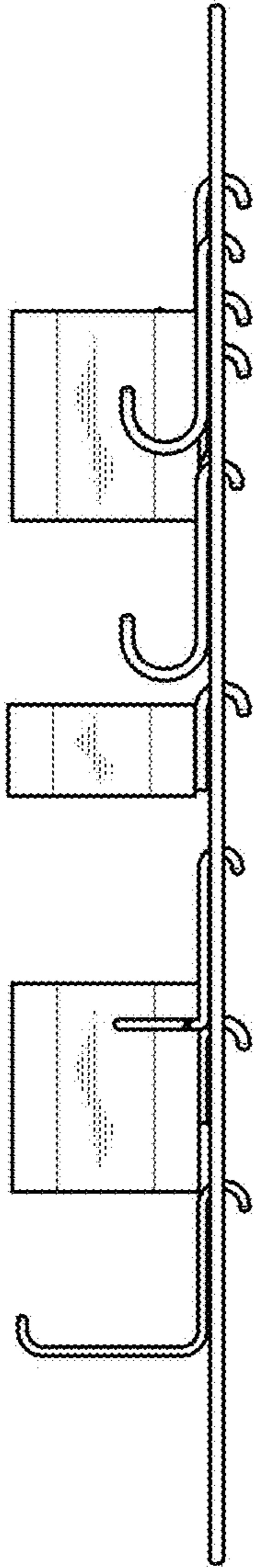


FIG. 4

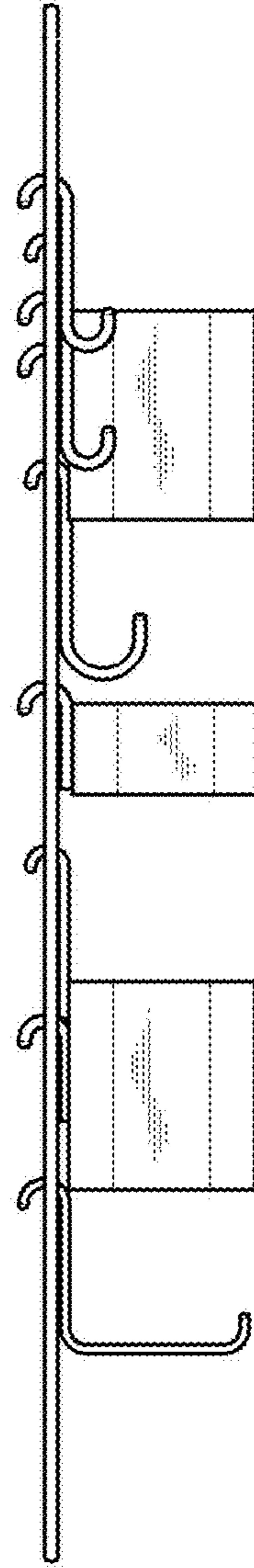


FIG. 5

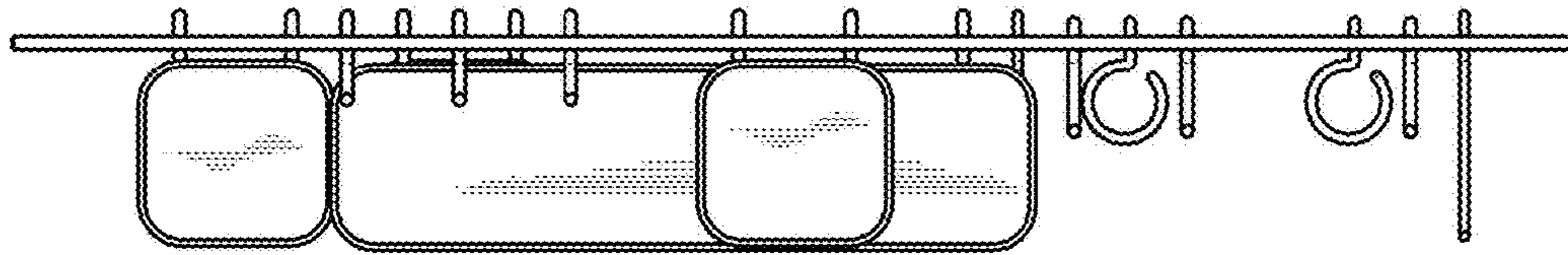


FIG. 6

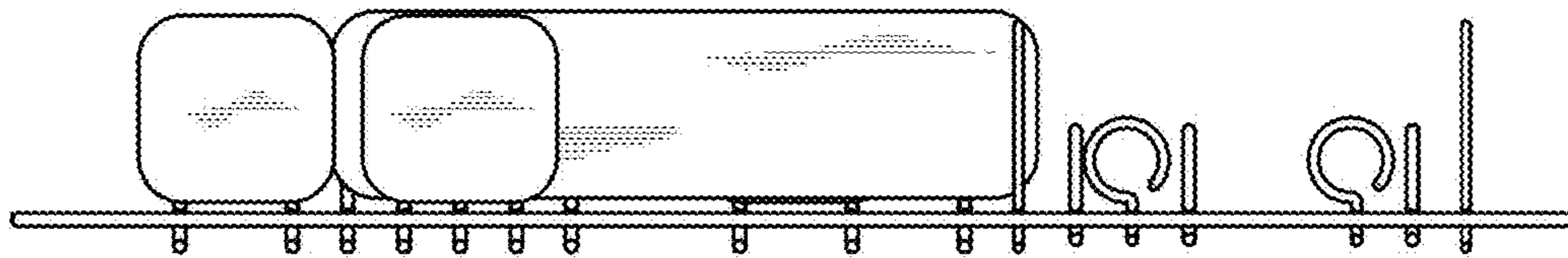


FIG. 7