



US00D840710S

(12) **United States Design Patent**  
**Hagleitner**

(10) **Patent No.:** **US D840,710 S**

(45) **Date of Patent:** **\*\* Feb. 19, 2019**

(54) **PAPER ROLL HOLDER**

(71) Applicant: **Hans Georg Hagleitner**, Zell Am See (AT)

(72) Inventor: **Hans Georg Hagleitner**, Zell Am See (AT)

(\*\*) Term: **15 Years**

(21) Appl. No.: **29/606,276**

(22) Filed: **Jun. 2, 2017**

**Related U.S. Application Data**

(62) Division of application No. 35/500,276, filed on Aug. 27, 2015 (U.S. filing date under 35 U.S.C. 384), and having an international filing date of Aug. 27, 2015, now Pat. No. Des. 792,122.

**Foreign Application Priority Data**

Mar. 31, 2015 (EM) ..... 002672907

(51) **LOC (11) Cl.** ..... **23-02**

(52) **U.S. Cl.**  
USPC ..... **D6/523**  
CPC ..... **A47K 10/22** (2013.01)

(58) **Field of Classification Search**  
USPC .... D6/518-523; 242/596-599, 599.1-599.4, 242/590, 570; 384/418-439, 295; 225/39, 46, 47, 77; 248/309.1, 309.2  
CPC ..... A47K 10/38; A47K 10/22; A47K 10/24; A47K 17/003

See application file for complete search history.

(56) **References Cited**

**U.S. PATENT DOCUMENTS**

1,990,806 A \* 2/1935 Watson ..... B65G 39/02  
193/37  
D171,604 S 3/1954 Larson  
D205,497 S \* 8/1966 Webber ..... D6/523  
3,373,529 A \* 3/1968 Ingham ..... E05F 3/00  
16/71

3,602,450 A \* 8/1971 Jespersen ..... A47K 10/38  
242/596.8  
4,340,195 A \* 7/1982 DeLuca ..... A47K 10/3687  
226/110  
5,249,755 A \* 10/1993 Jespersen ..... A47K 10/38  
242/422.4  
5,495,997 A \* 3/1996 Moody ..... A47K 10/38  
242/560  
5,577,686 A \* 11/1996 Moody ..... A47K 10/3836  
242/597.4  
5,630,563 A \* 5/1997 Meisner ..... B65H 35/002  
225/43

(Continued)

**FOREIGN PATENT DOCUMENTS**

AU 318749 4/2008  
AU 332914 9/2010

(Continued)

**OTHER PUBLICATIONS**

[https://images-eu.ssl-images-amazon.com/images/I/31mmt32ramL.\\_AC\\_US160.jpg](https://images-eu.ssl-images-amazon.com/images/I/31mmt32ramL._AC_US160.jpg).

*Primary Examiner* — Richard E Chilcot  
(74) *Attorney, Agent, or Firm* — Laurence A. Greenberg; Werner H. Stemer; Ralph E. Locher

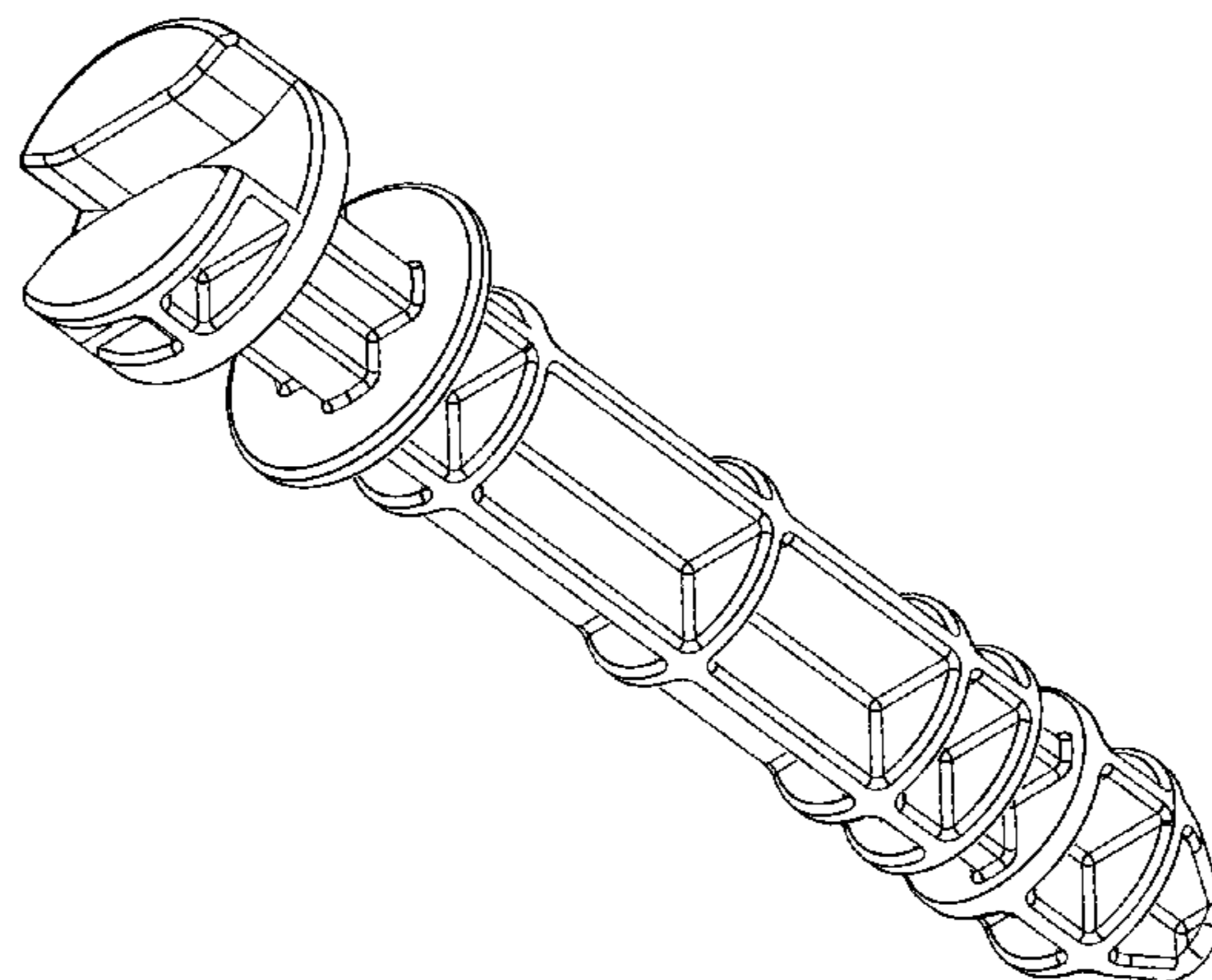
(57) **CLAIM**

The ornamental design for a paper roll holder, as shown and described.

**DESCRIPTION**

FIG. 1 is a perspective view of the paper roll holder, showing my new design;  
FIG. 2 is a front elevation view thereof;  
FIG. 3 is a rear elevation view thereof;  
FIG. 4 is a left side elevation view thereof;  
FIG. 5 is a right side elevation view thereof;  
FIG. 6 is a top elevation view thereof; and,  
FIG. 7 is a bottom elevation view thereof.

**1 Claim, 7 Drawing Sheets**



# US D840,710 S

Page 2

(56)

## References Cited

### U.S. PATENT DOCUMENTS

5,669,576 A \* 9/1997 Moody ..... A47K 10/38  
242/560.3  
5,676,331 A \* 10/1997 Weber ..... A47K 10/38  
242/560  
5,988,561 A \* 11/1999 Mele ..... A47K 10/40  
242/599.1  
6,082,664 A \* 7/2000 Phelps ..... A47K 10/38  
242/560  
6,533,153 B2 \* 3/2003 Huang ..... B65H 35/0026  
225/47  
6,581,295 B1 \* 6/2003 Black ..... B65H 75/406  
33/1 LE  
6,814,684 B2 \* 11/2004 Schulz ..... F16C 19/364  
384/428  
D611,967 S 3/2010 Hjort et al.  
7,828,240 B2 \* 11/2010 Hagleitner ..... A47K 10/38  
242/598.3  
D630,874 S 1/2011 Möller et al.  
D635,806 S 4/2011 Bodum  
D703,461 S \* 4/2014 Myron ..... D6/523  
8,783,600 B1 \* 7/2014 Myron ..... A47K 10/16  
242/596.7

D719,374 S \* 12/2014 Myron ..... D6/523  
8,899,510 B2 \* 12/2014 Dean ..... B65H 16/005  
242/596.7

D731,202 S 6/2015 Newson  
D739,158 S 9/2015 Pan et al.  
2002/0185511 A1 12/2002 Huang  
2003/0071052 A1 \* 4/2003 Castleberry ..... G07F 11/54  
221/132  
2008/0229791 A1 \* 9/2008 Granger ..... A47K 10/38  
70/182  
2012/0097789 A1 4/2012 Benedetti  
2012/0111988 A1 5/2012 Dean  
2014/0353418 A1 12/2014 Hagleitner  
2014/0361117 A1 12/2014 Hagleitner

### FOREIGN PATENT DOCUMENTS

AU 347245 2/2013  
AU 347990 4/2013  
AU 354464 3/2014  
CL 200901332 6/2010  
CL 201103370 6/2012  
CL 2014P02214 1/2015  
CL 201402215 1/2015

\* cited by examiner

FIG. 1

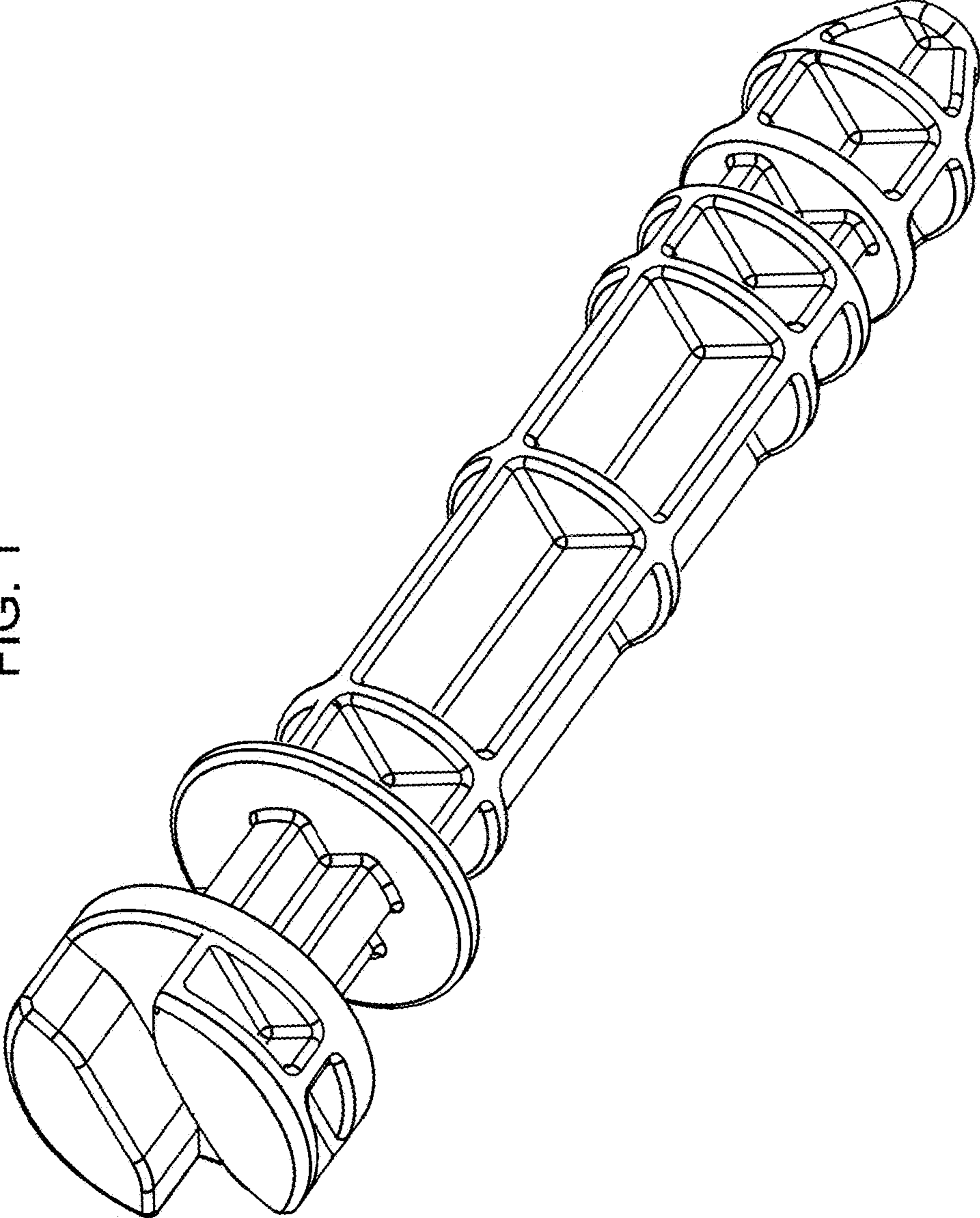


FIG. 2

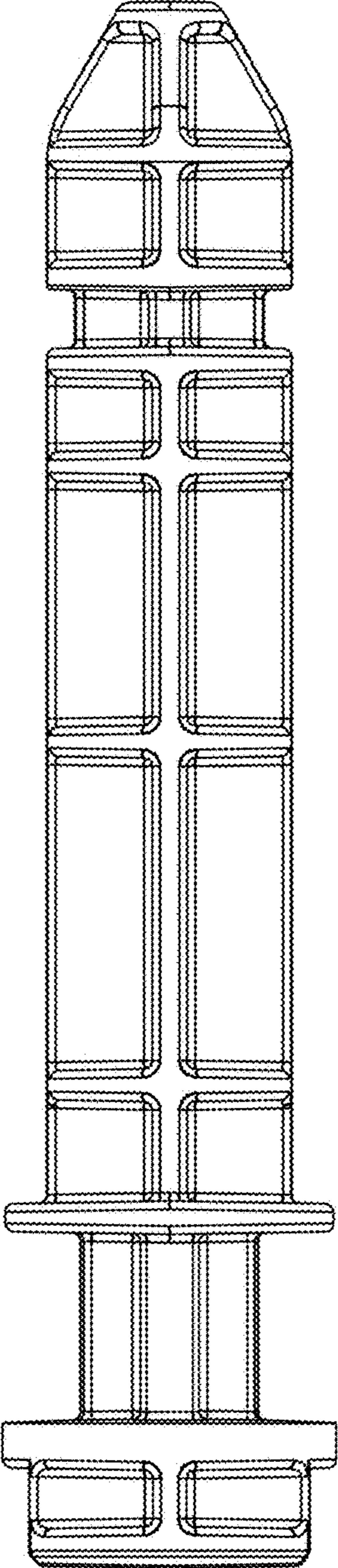


FIG. 3

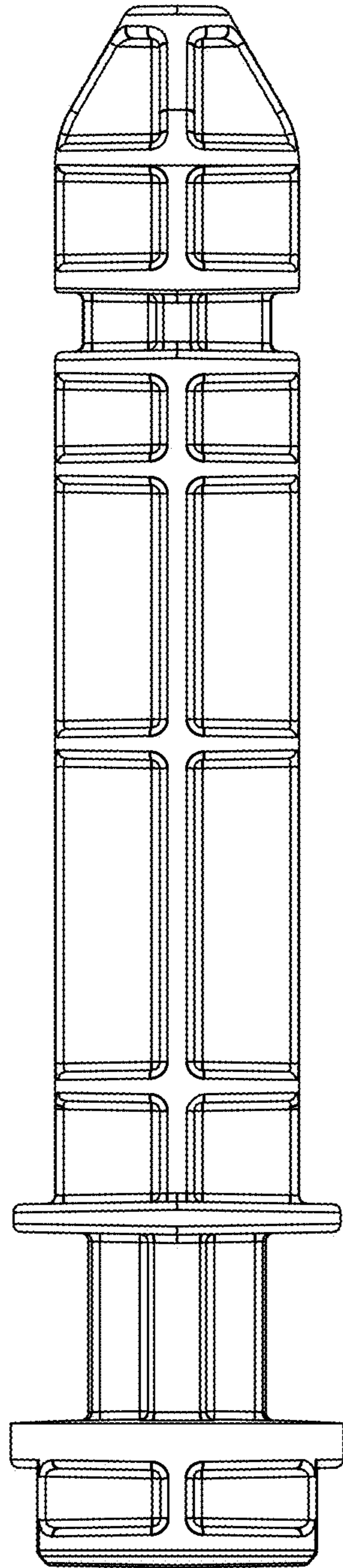


FIG. 4

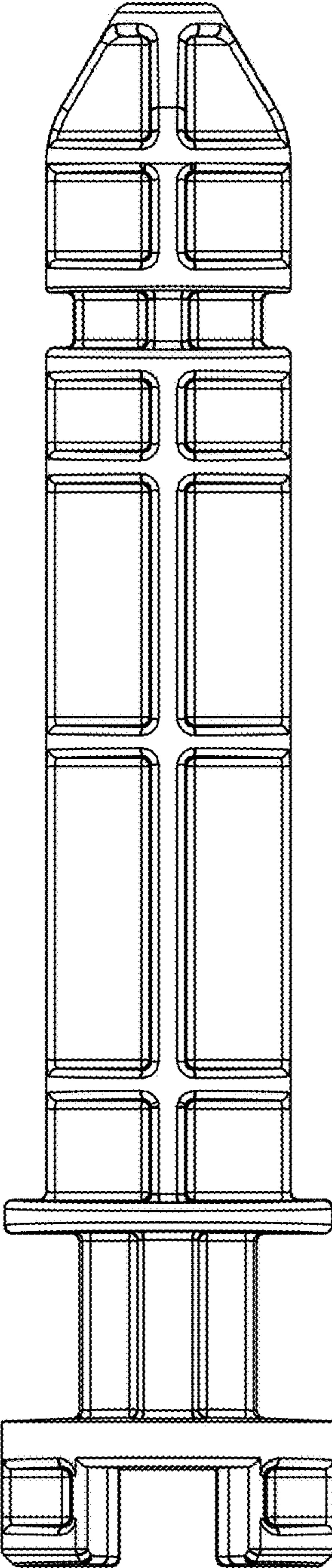


FIG. 5

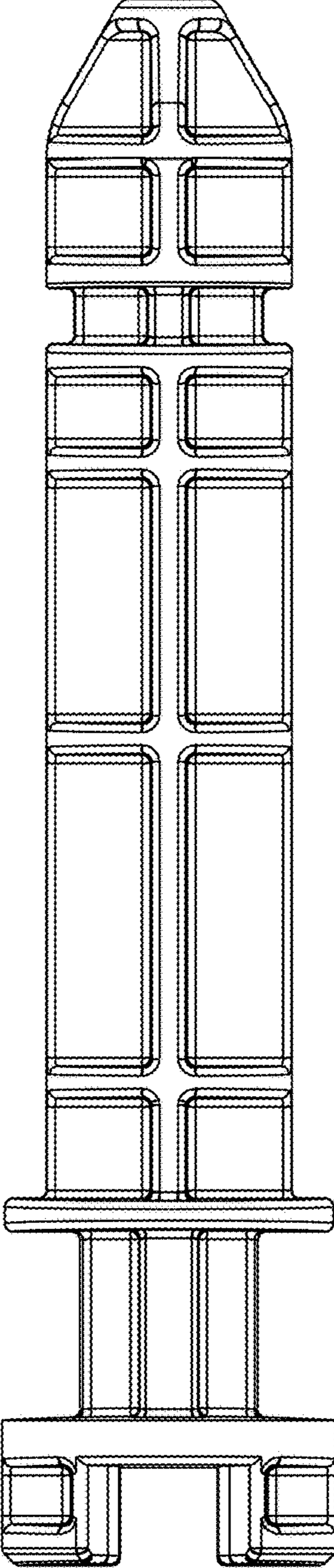


FIG. 6

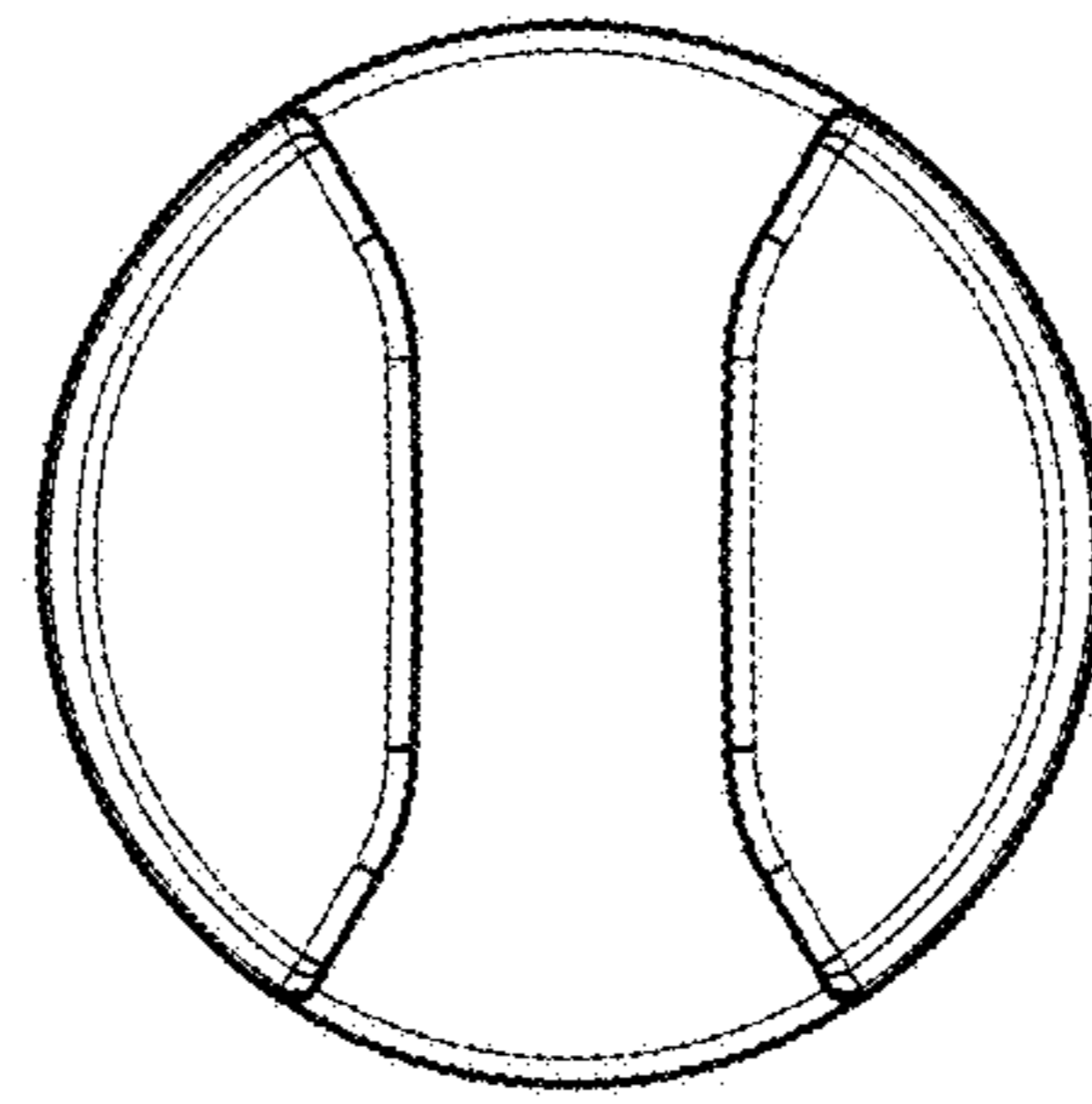




FIG. 7

