



US00D840709S

(12) **United States Design Patent** (10) **Patent No.:** **US D840,709 S**  
**Zemel** (45) **Date of Patent:** **\*\* Feb. 19, 2019**

(54) **MULTI-PURPOSE CADDY**  
(71) Applicant: **Mr. Bar-B-Q Products LLC**, Melville, NY (US)

D415,916 S \* 11/1999 Hofman ..... D6/525  
6,138,939 A \* 10/2000 Phelps ..... A47K 10/38  
242/594.4  
D434,587 S \* 12/2000 Beard, Sr. .... D21/796  
(Continued)

(72) Inventor: **Marc Zemel**, Melville, NY (US)

**OTHER PUBLICATIONS**

(73) Assignee: **MR. BAR-B-Q PRODUCTS LLC**, Melville, NY (US)

Amazon.com, Mr. Bar-B-Q 40291Y Barbecue Caddy, Black, Apr. 21, 2018, <https://www.amazon.com/Mr-Bar-B-Q-40291Y-Barbecue-Caddy/dp/B077J597DH/> (Year: 2018).\*

(\*\*) Term: **15 Years**

(Continued)

(21) Appl. No.: **29/610,511**

*Primary Examiner* — David G Muller

(22) Filed: **Jul. 13, 2017**

*Assistant Examiner* — Nathan M Johnston

(51) **LOC (11) Cl.** ..... **20-02**

(74) *Attorney, Agent, or Firm* — Carter, DeLuca, Farrell & Schmidt, LLP

(52) **U.S. Cl.**

(57) **CLAIM**

USPC ..... **D6/519**

The ornamental design for a multi-purpose caddy, as shown and described.

(58) **Field of Classification Search**

**DESCRIPTION**

USPC ..... D6/524–525, 566, 536, 540, 567, 570, D6/460, 468, 474, 476, 512, 514, 519; 211/13.1, 74, 71.01, 86.01, 75, 88.01, 211/90.01, 90.03, 106, 119, 126.1, 133.5, 211/181.1, 134; D7/590, 602, 629, D7/612–615; D9/424–432; D19/75, 77, D19/78, 86; D34/1, 5, 7, 8; 220/574–575

FIG. 1 is a perspective view of a multi-purpose caddy in accordance with the present design; FIG. 2 is a left side elevational view thereof; FIG. 3 is a right side elevational view thereof; FIG. 4 is a front elevational view thereof; FIG. 5 is a rear elevational view thereof; FIG. 6 is a top plan view thereof; FIG. 7 is a bottom plan view thereof; and, FIG. 8 is a perspective view of the design embodied in FIG. 1 illustrating a non-limiting use in an unclaimed environment.

CPC .... G06Q 30/02; G06Q 30/0241; G06Q 30/00; B65D 73/00; A47J 31/44

See application file for complete search history.

The caddy is shown with a symbolic break in its length. The appearance of any portion of the article between the break lines forms no part of the claimed design.

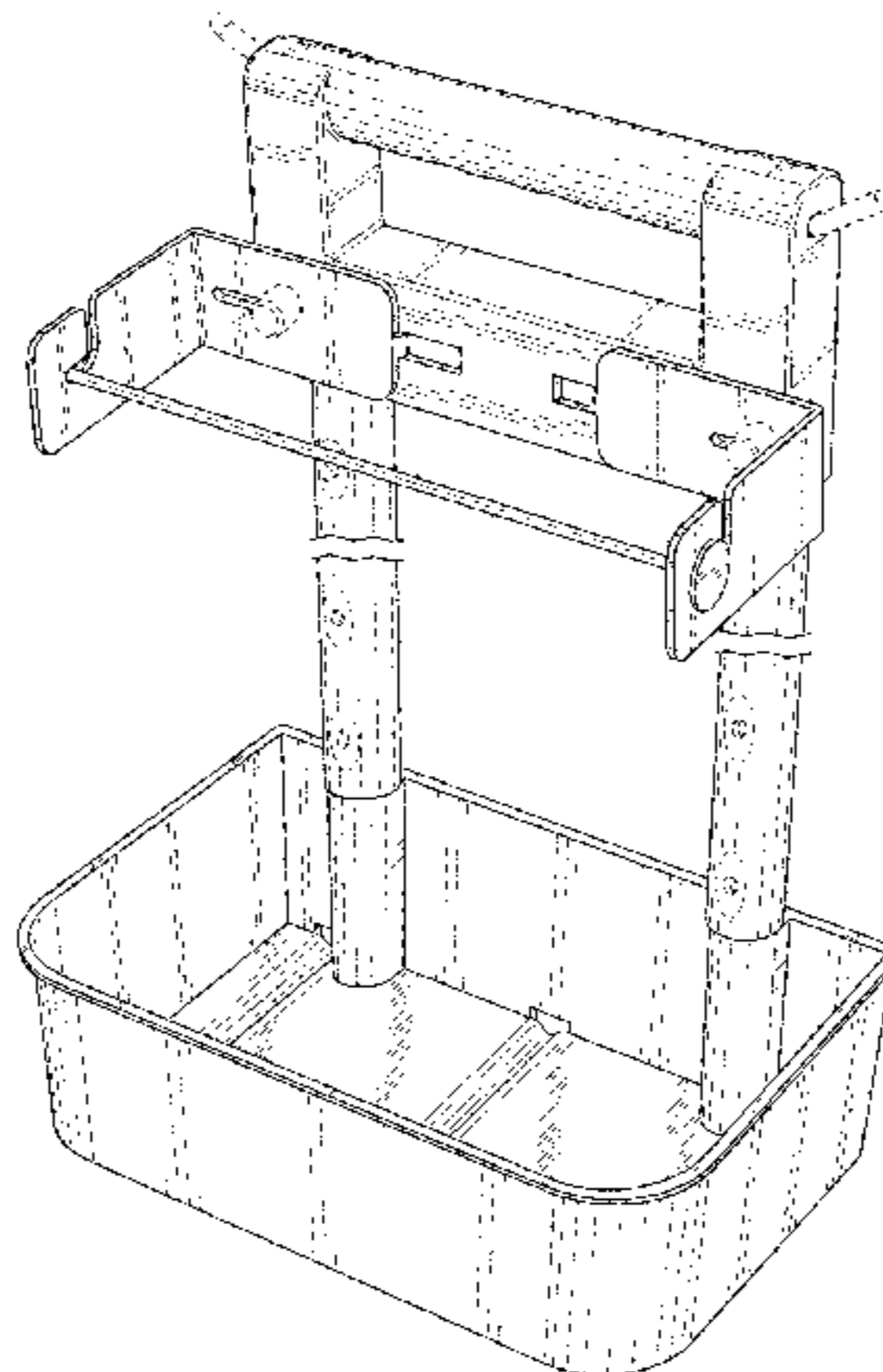
The broken lines shown in the drawings illustrate portions of the multi-purpose caddy that form no part of the claimed design.

(56) **References Cited**

**U.S. PATENT DOCUMENTS**

D293,183 S \* 12/1987 Aaron ..... D6/525  
D340,604 S \* 10/1993 Conaway ..... D6/525  
D377,286 S \* 1/1997 Munoz ..... D6/525  
D378,051 S \* 2/1997 Shinano ..... D8/373  
D382,432 S \* 8/1997 Perelli ..... D6/555  
D382,750 S \* 8/1997 Andrus ..... D6/525  
D404,948 S \* 2/1999 Yemini ..... D6/525  
D409,424 S \* 5/1999 Hofman ..... D6/525

**1 Claim, 7 Drawing Sheets**



(56)

**References Cited**

U.S. PATENT DOCUMENTS

6,382,553 B1 \* 5/2002 Lewis ..... A47K 10/38  
242/594.4  
D496,549 S \* 9/2004 Snell ..... A47K 3/281  
D6/525  
D513,373 S \* 1/2006 Harwanko ..... A47K 3/281  
D6/525  
D530,121 S \* 10/2006 Snell ..... D6/525  
D549,524 S 8/2007 White, III  
D566,441 S \* 4/2008 Dretzka ..... A47K 3/281  
D6/525  
D568,656 S \* 5/2008 Kramer ..... A47K 3/281  
D6/525  
D569,149 S \* 5/2008 Walker ..... A47K 3/281  
D6/525  
D604,977 S \* 12/2009 Conville ..... D6/552  
D622,992 S \* 9/2010 Dodd ..... D6/552

D702,816 S \* 4/2014 Ryu ..... D23/228  
D714,075 S \* 9/2014 Chung ..... D6/525  
D770,198 S \* 11/2016 Yang ..... D6/525  
D805,318 S \* 12/2017 Umholtz ..... D6/525  
D811,119 S \* 2/2018 Greenspon ..... D6/525  
2004/0000612 A1 \* 1/2004 Young ..... A47K 10/3836  
242/597.8  
2011/0238467 A1 9/2011 Duley et al.  
2013/0186780 A1 7/2013 Betesh  
2014/0100926 A1 4/2014 McManus et al.

OTHER PUBLICATIONS

Bar Caddy—2 Pocket Napkin, <http://www.barproducts.com/2-pocket-napkin-bar-caddy>, retrieved Nov. 18, 2016.  
[http://www.bunnings.com.au/gasmate-bbq-cooking-caddy-with-handle\\_p3171622](http://www.bunnings.com.au/gasmate-bbq-cooking-caddy-with-handle_p3171622).

\* cited by examiner

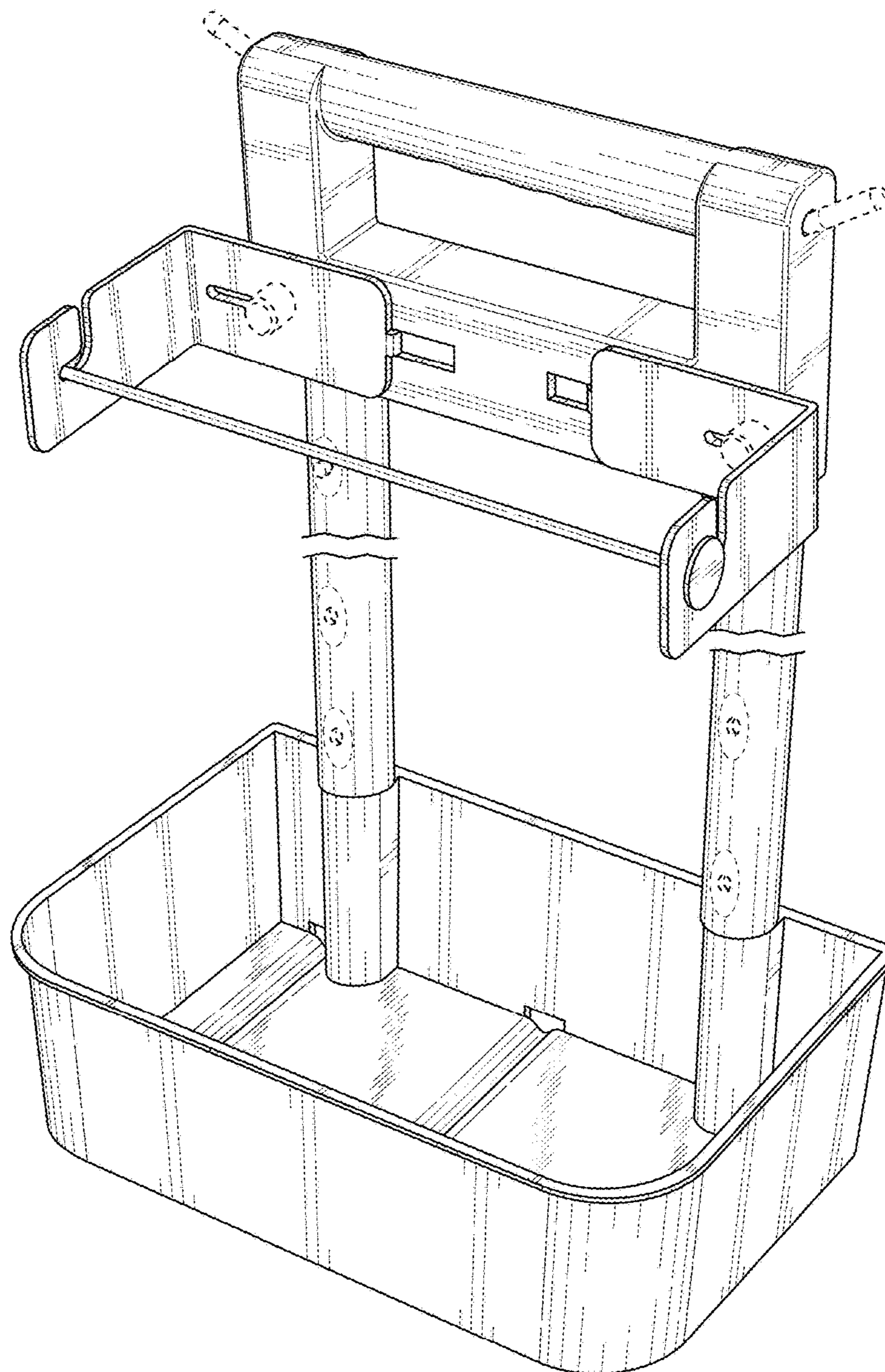


FIG. 1

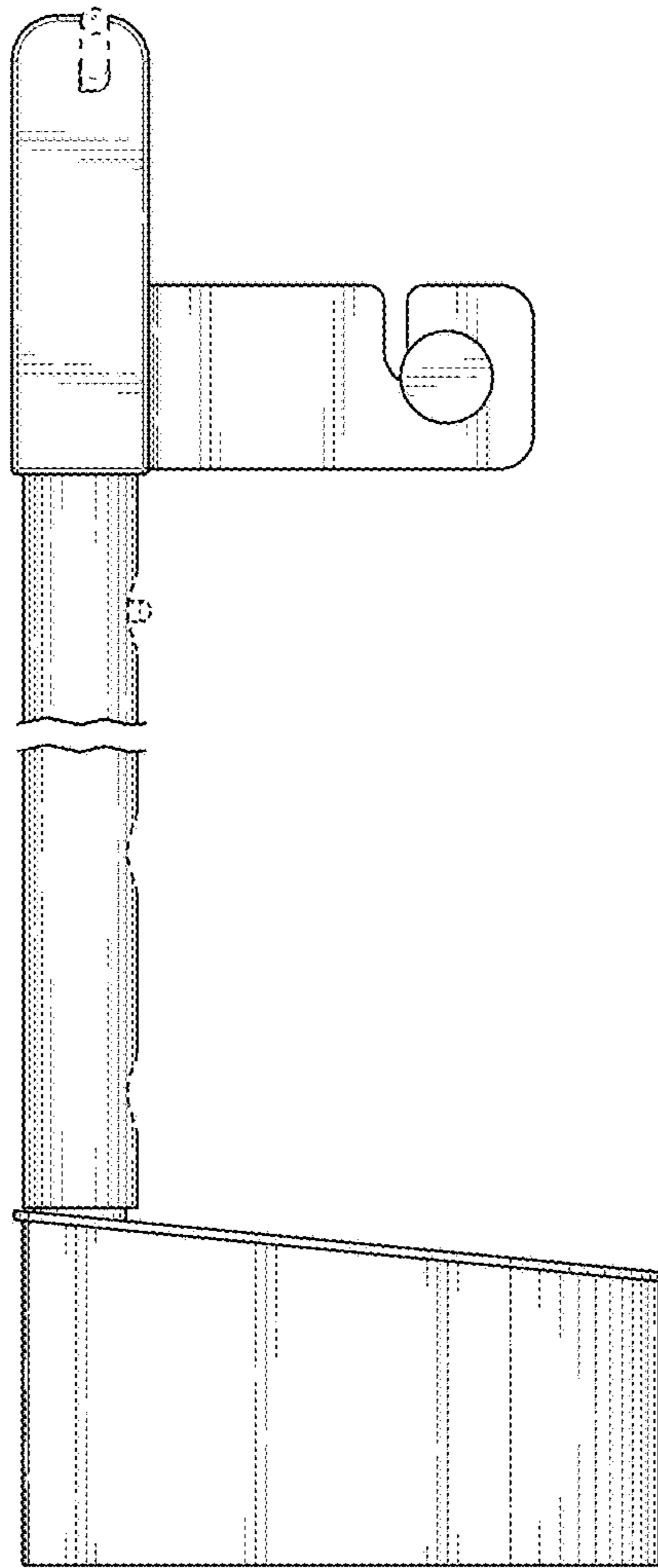


FIG. 2



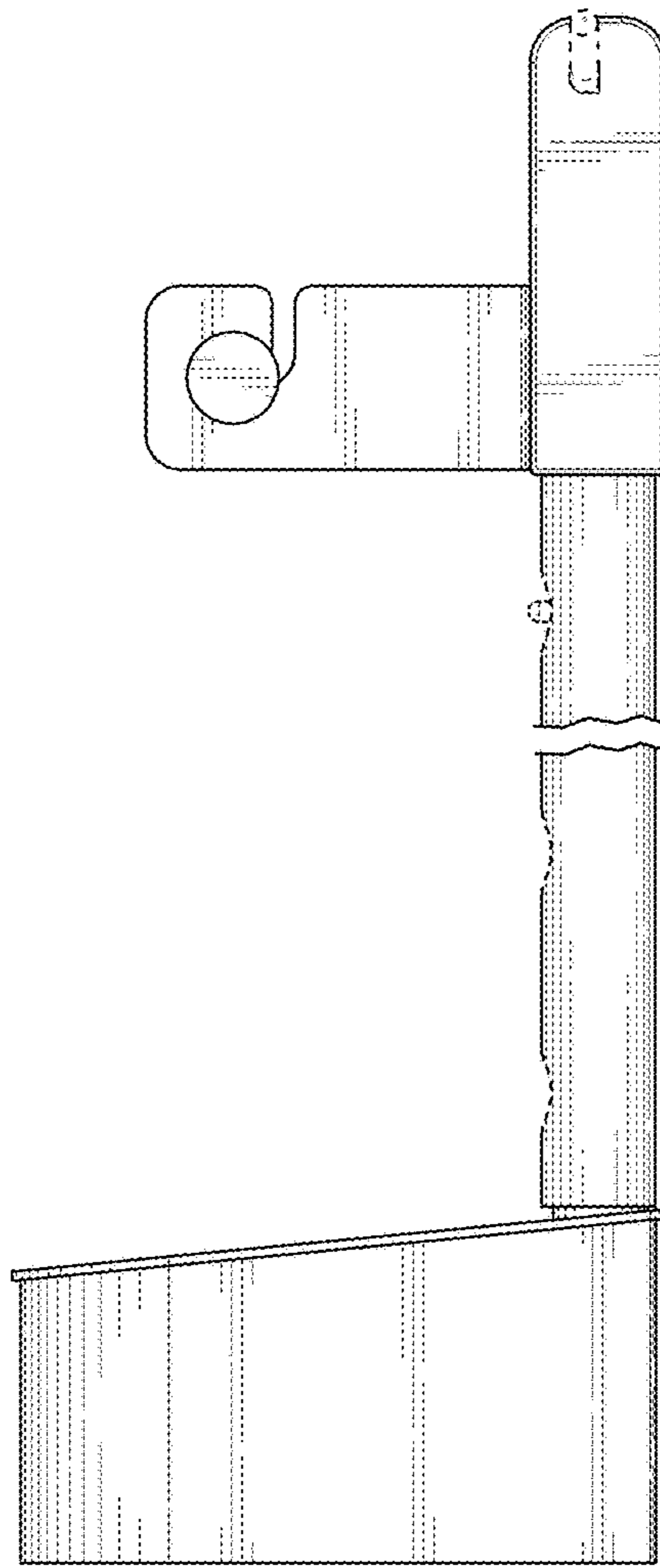


FIG. 3

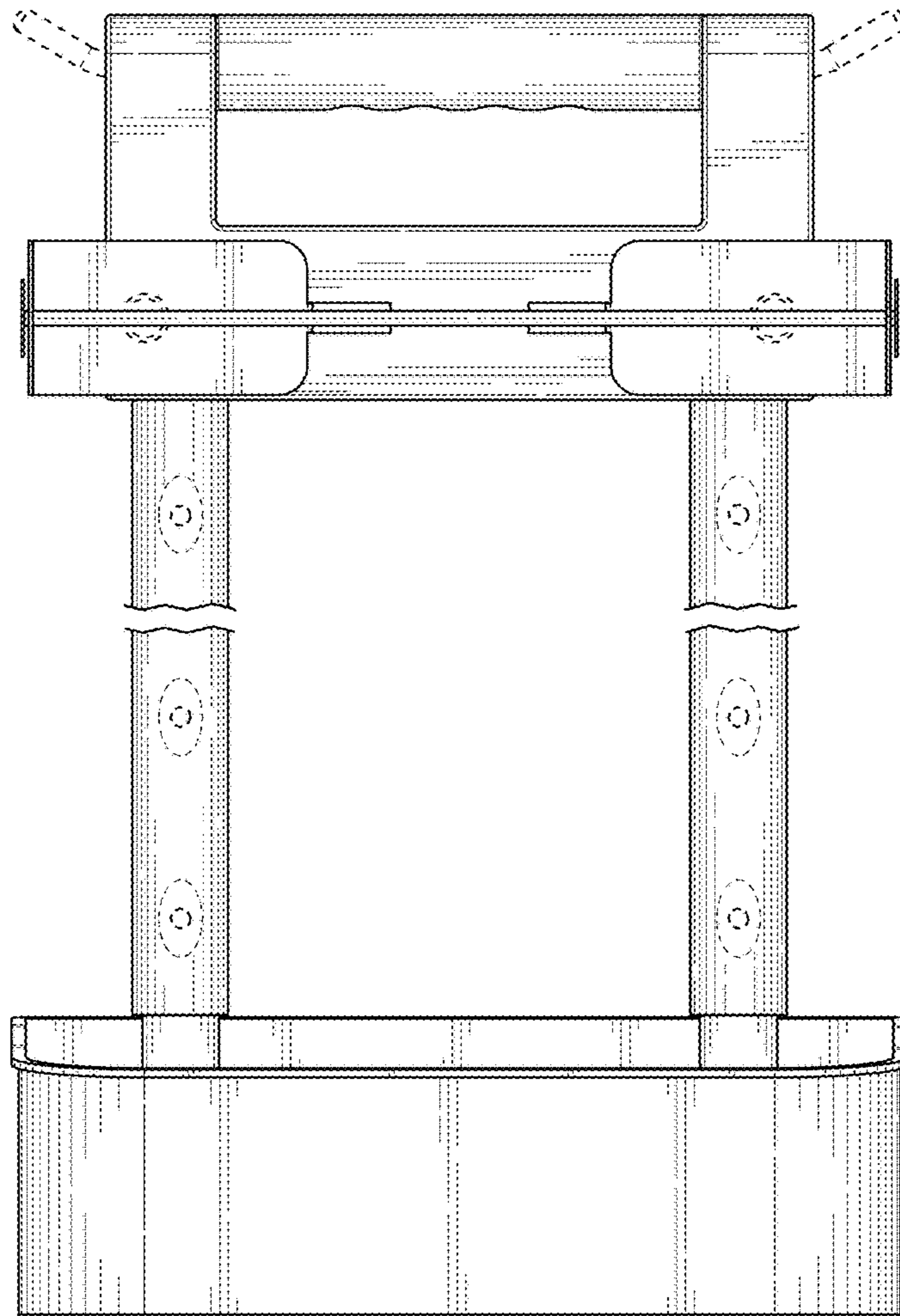


FIG. 4

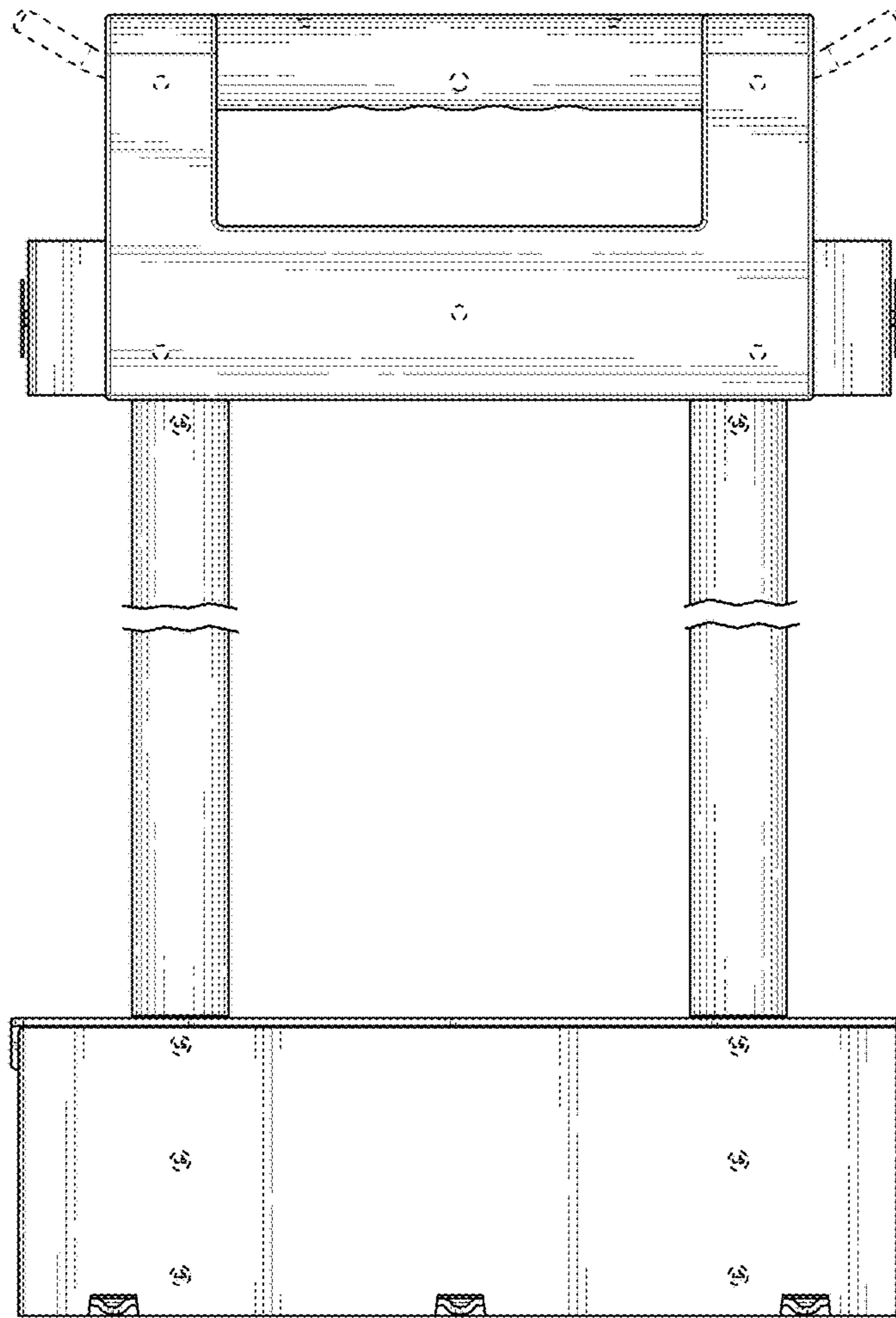


FIG. 5

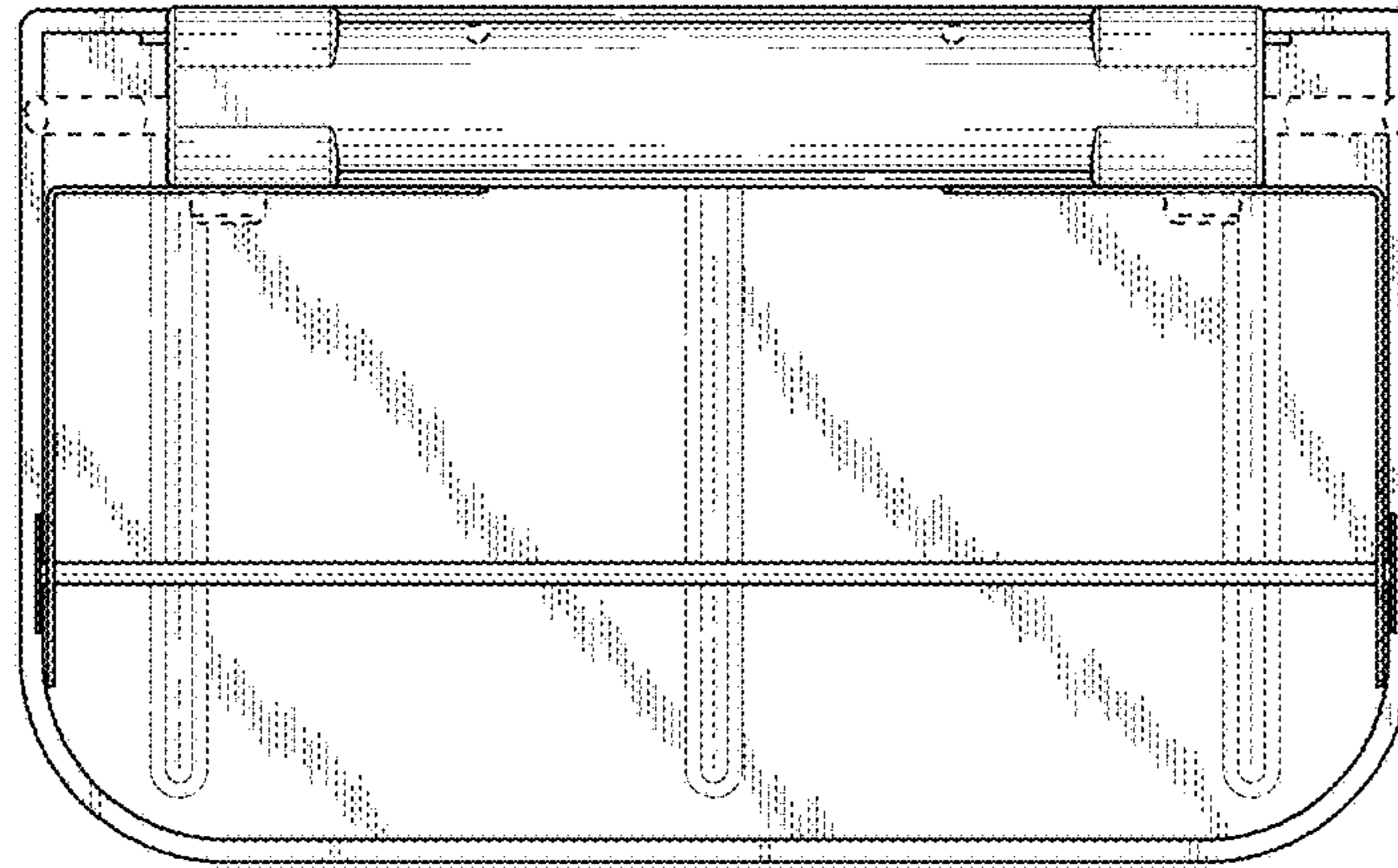


FIG. 6

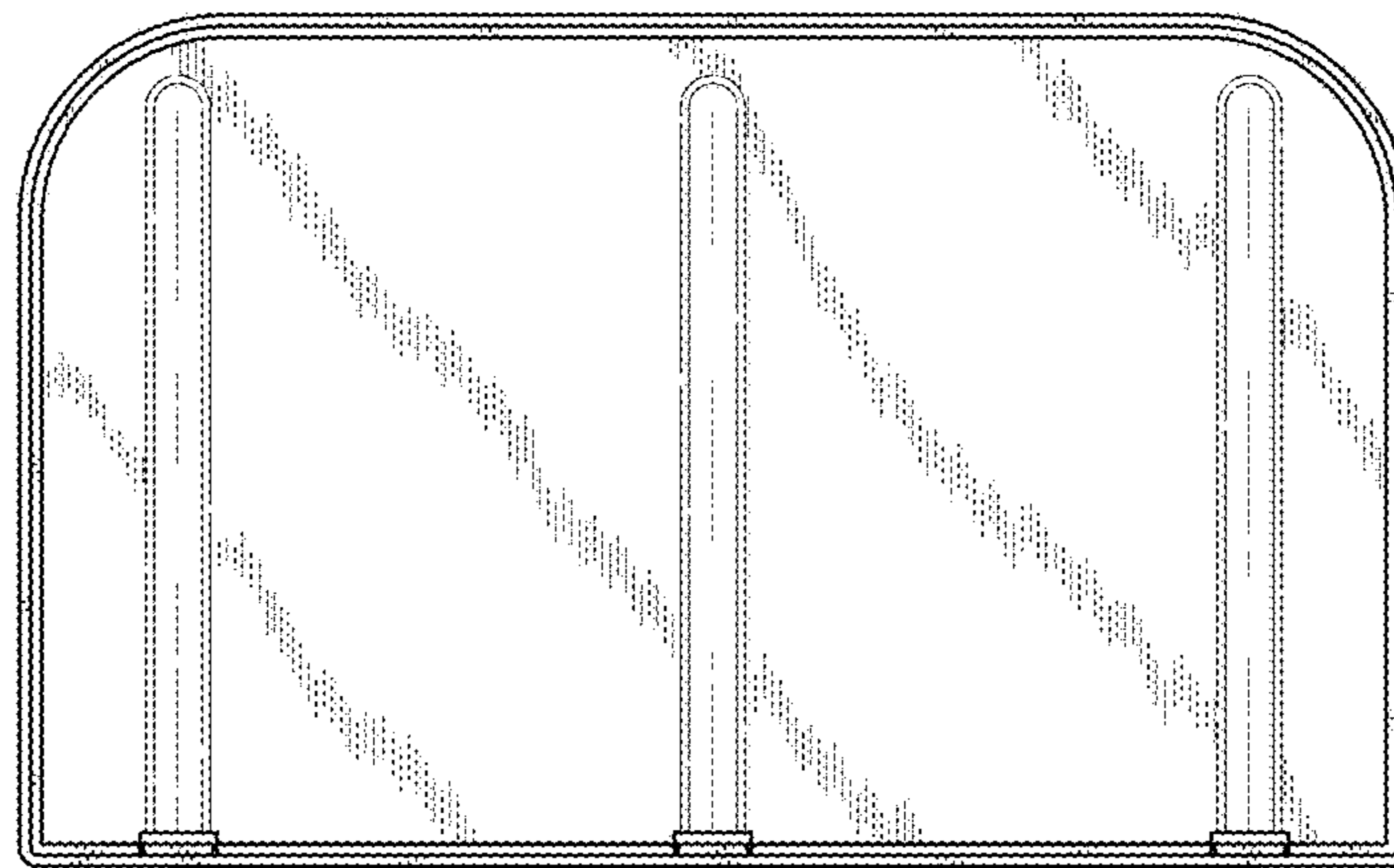


FIG. 7



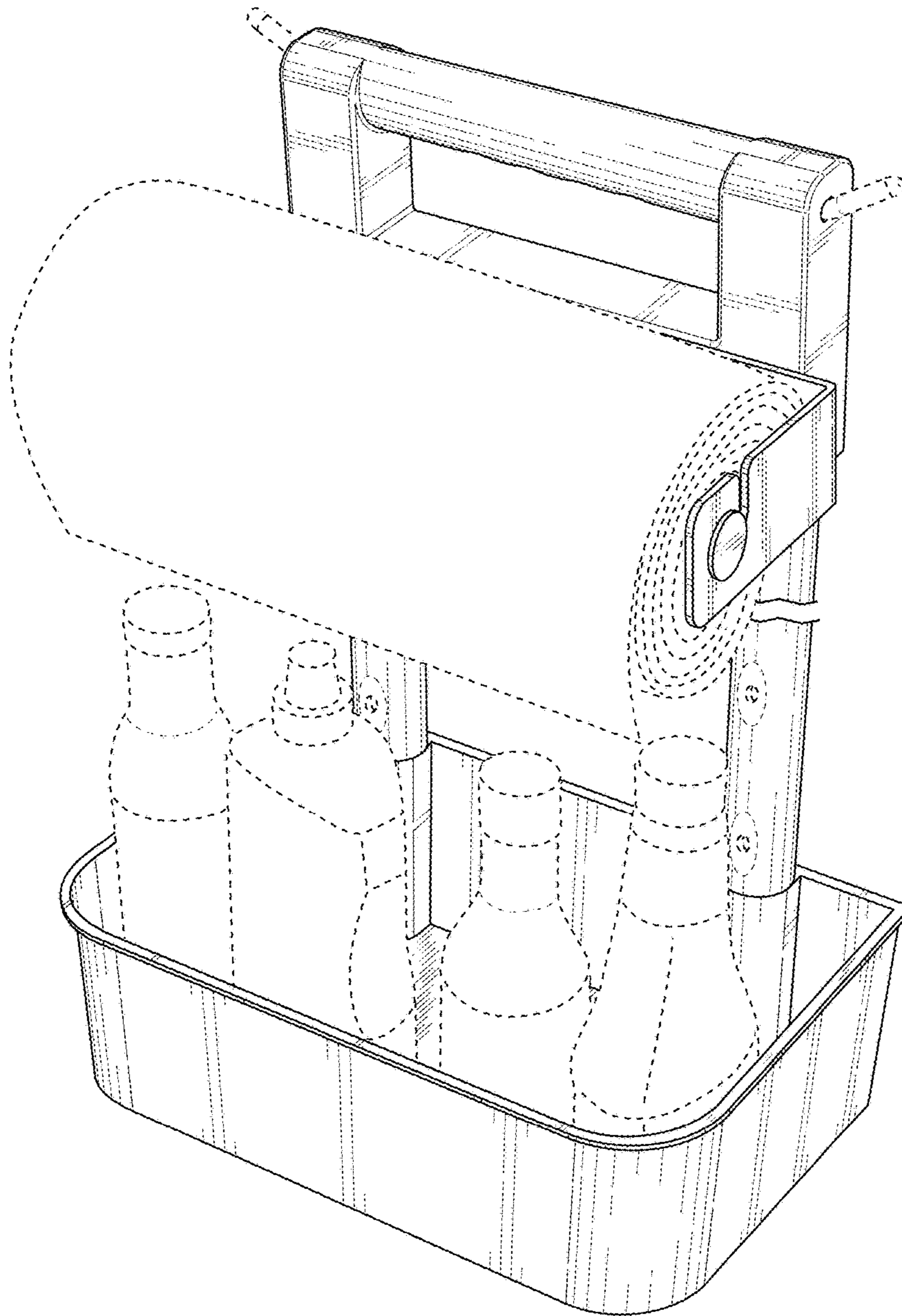


FIG. 8