



US00D840708S

(12) **United States Design Patent**  
**Melaragno**

(10) **Patent No.:** **US D840,708 S**

(45) **Date of Patent:** **\*\* Feb. 19, 2019**

- (54) **SHELF**
- (71) Applicant: **Melanie M. Melaragno**, Wickliffe, OH (US)
- (72) Inventor: **Melanie M. Melaragno**, Wickliffe, OH (US)
- (73) Assignee: **SHORE SHELF LLC**, Wickliffe, OH (US)

D619,822 S *	7/2010	Damgaard-Sorensen	.....	D6/406.1
8,261,920 B1 *	9/2012	Matthews	.....	A47B 5/02 108/42
D668,472 S *	10/2012	Wong	.....	D6/406.5
D679,520 S *	4/2013	Wong	.....	D6/406.5
D679,921 S *	4/2013	Kiechler	.....	D6/406.5
D723,830 S *	3/2015	Tcholakov	.....	D6/406.6
D785,956 S *	5/2017	Stricklin	.....	D6/349
D802,311 S *	11/2017	Stricklin	.....	D6/349
10,052,992 B2 *	8/2018	Probst	.....	B60N 3/002

(\*\*) Term: **15 Years**

(21) Appl. No.: **29/624,592**

(22) Filed: **Nov. 2, 2017**

(51) **LOC (11) Cl.** ..... **06-06**

(52) **U.S. Cl.**  
USPC ..... **D6/406.5**

(58) **Field of Classification Search**  
USPC ..... D6/406.1-406.6, 421-422; D19/91-92;  
D7/552.2, 554.3-554.4  
CPC ..... A47B 23/00; A47B 23/001; A47B 23/002;  
A47G 23/06; A47G 23/0633  
See application file for complete search history.

(56) **References Cited**

**U.S. PATENT DOCUMENTS**

D413,741 S *	9/1999	Haynes	.....	D6/406.4
D428,729 S *	8/2000	Weitzman	.....	D6/406.5
D438,402 S *	3/2001	Walsh	.....	D19/75

\* cited by examiner

*Primary Examiner* — Kelley A Donnelly

(74) *Attorney, Agent, or Firm* — Jacob M. Ward; Ward Law Office LLC

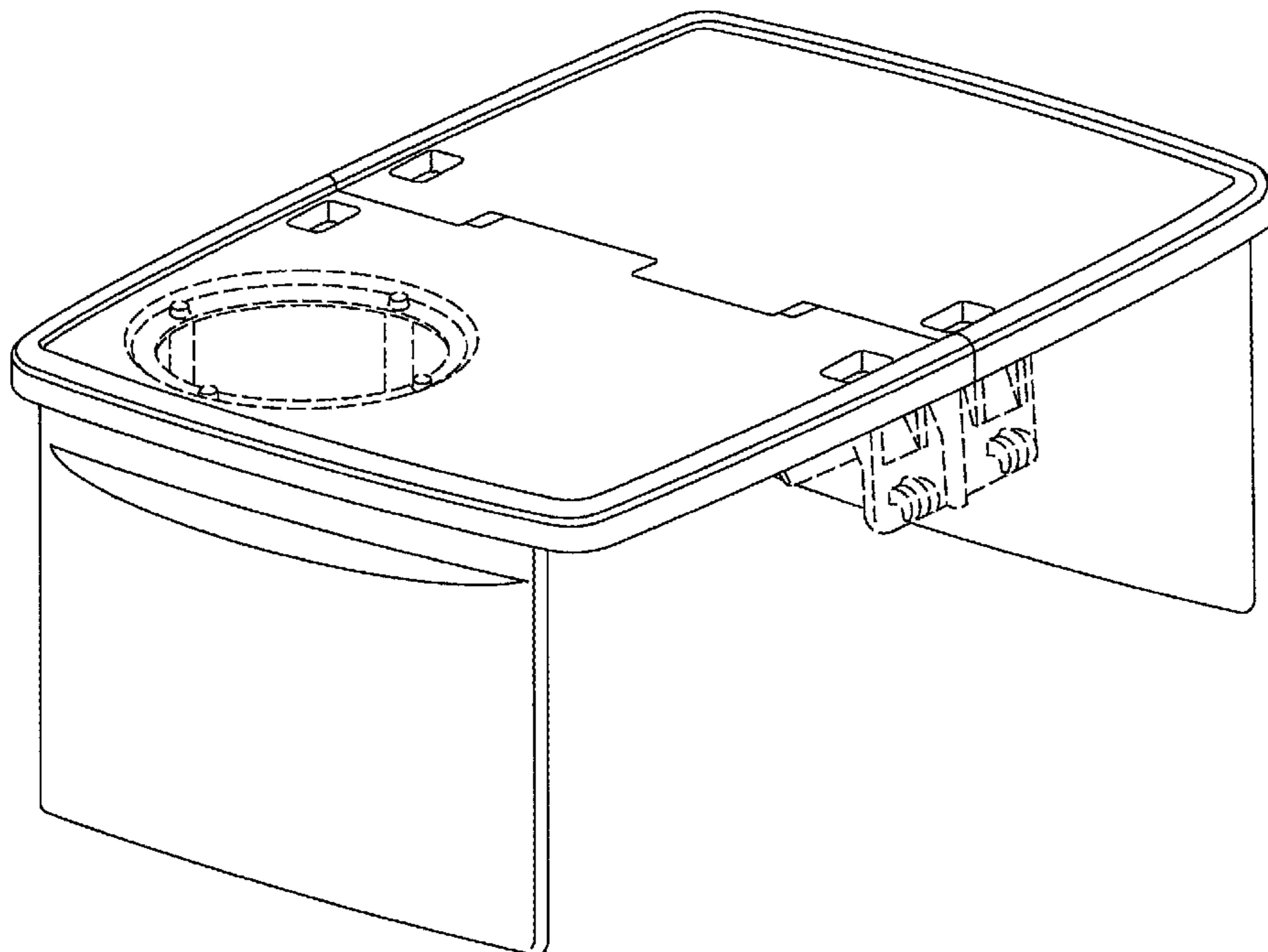
(57) **CLAIM**

The ornamental design for a shelf, as shown and described.

**DESCRIPTION**

FIG. 1 is a front perspective view of a shelf;  
FIG. 2 is a top plan view thereof;  
FIG. 3 is a front elevational view thereof;  
FIG. 4 is a bottom plan view thereof;  
FIG. 5 is a back elevated view thereof; and,  
FIG. 6 is a right side elevational view thereof with a left side elevational view being a mirror image thereof.  
The broken lines are for the purposes of illustrating the environment of the article only and form no part of the claimed design.

**1 Claim, 4 Drawing Sheets**



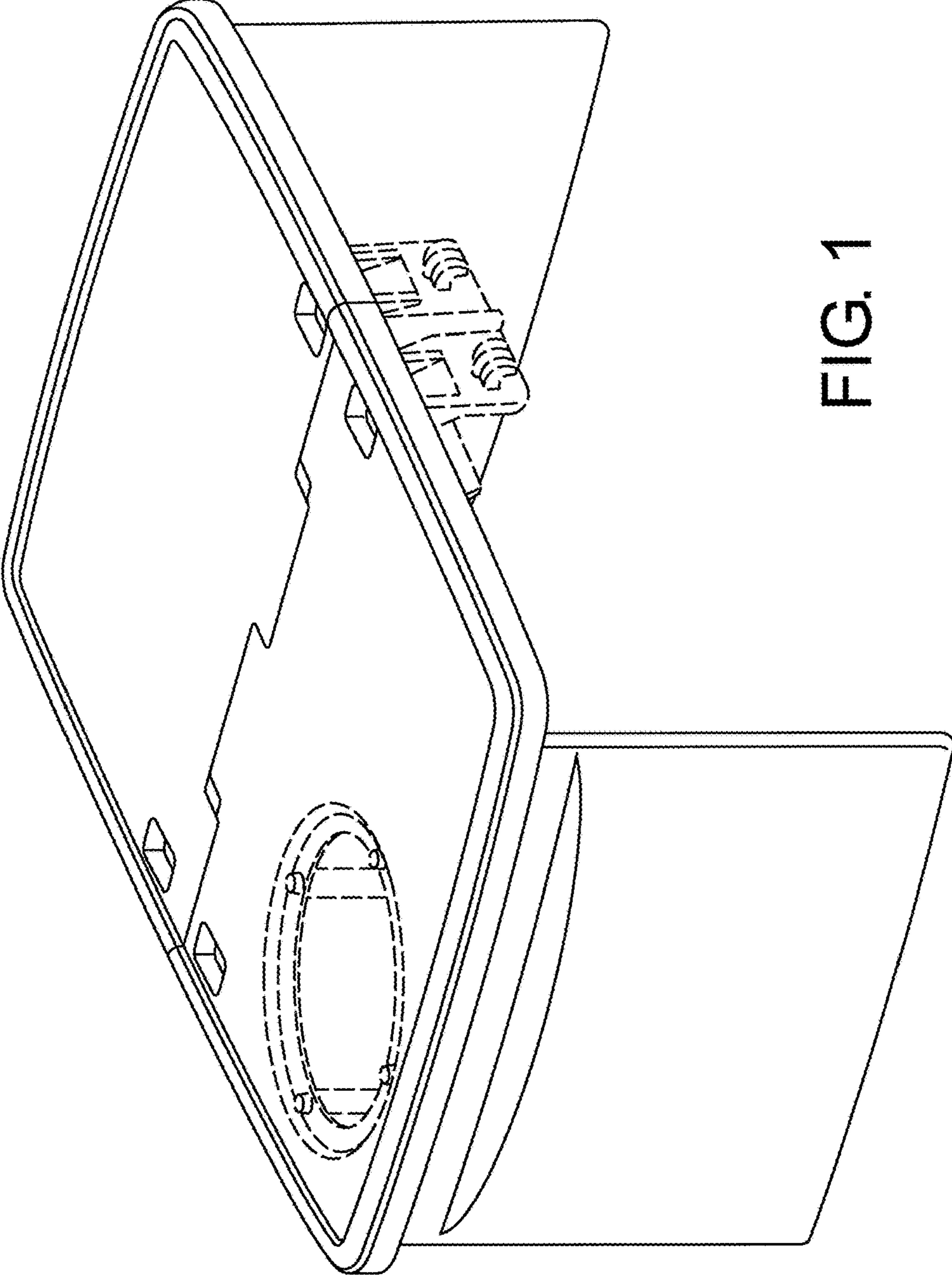


FIG. 1

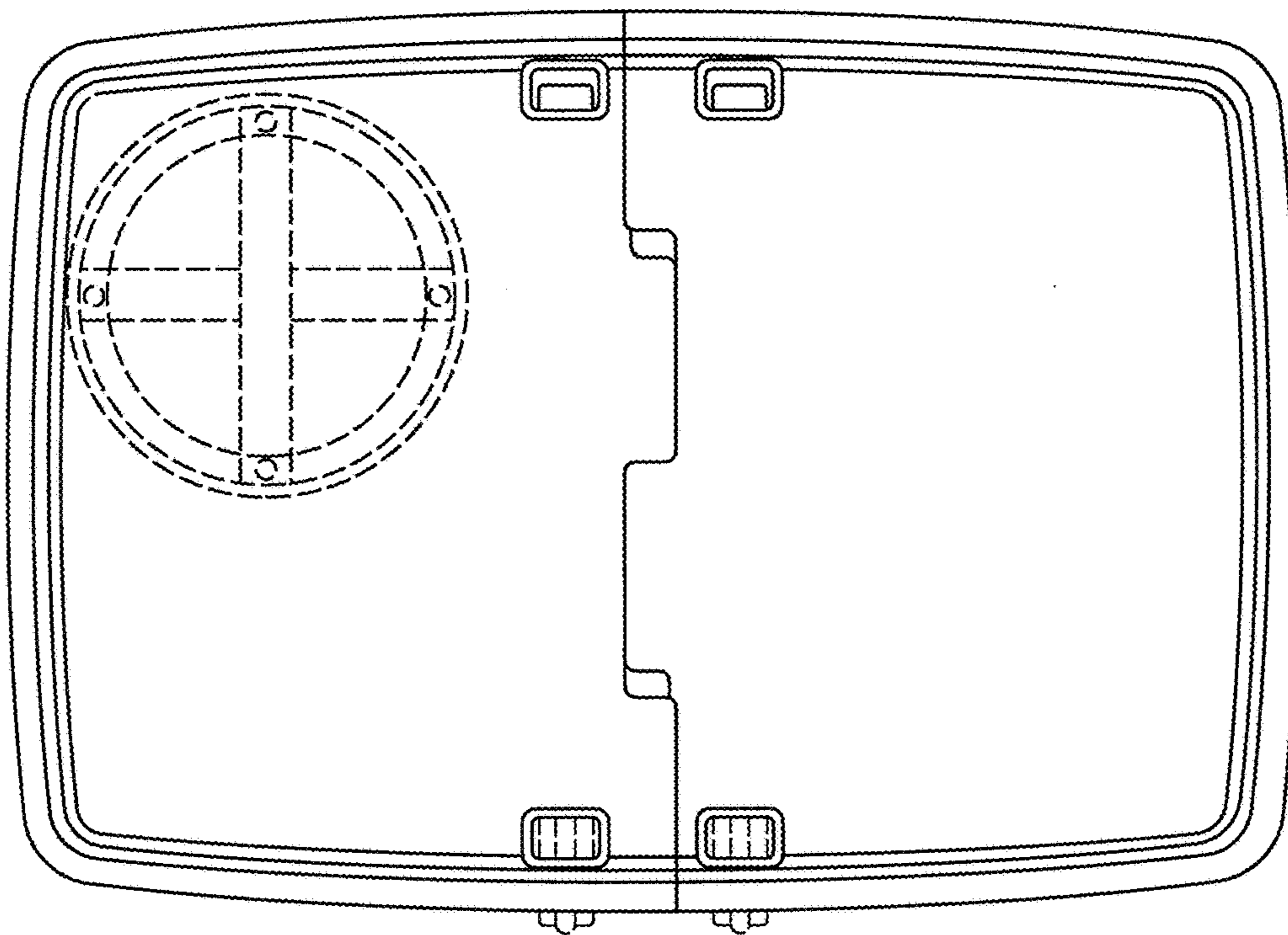


FIG. 2

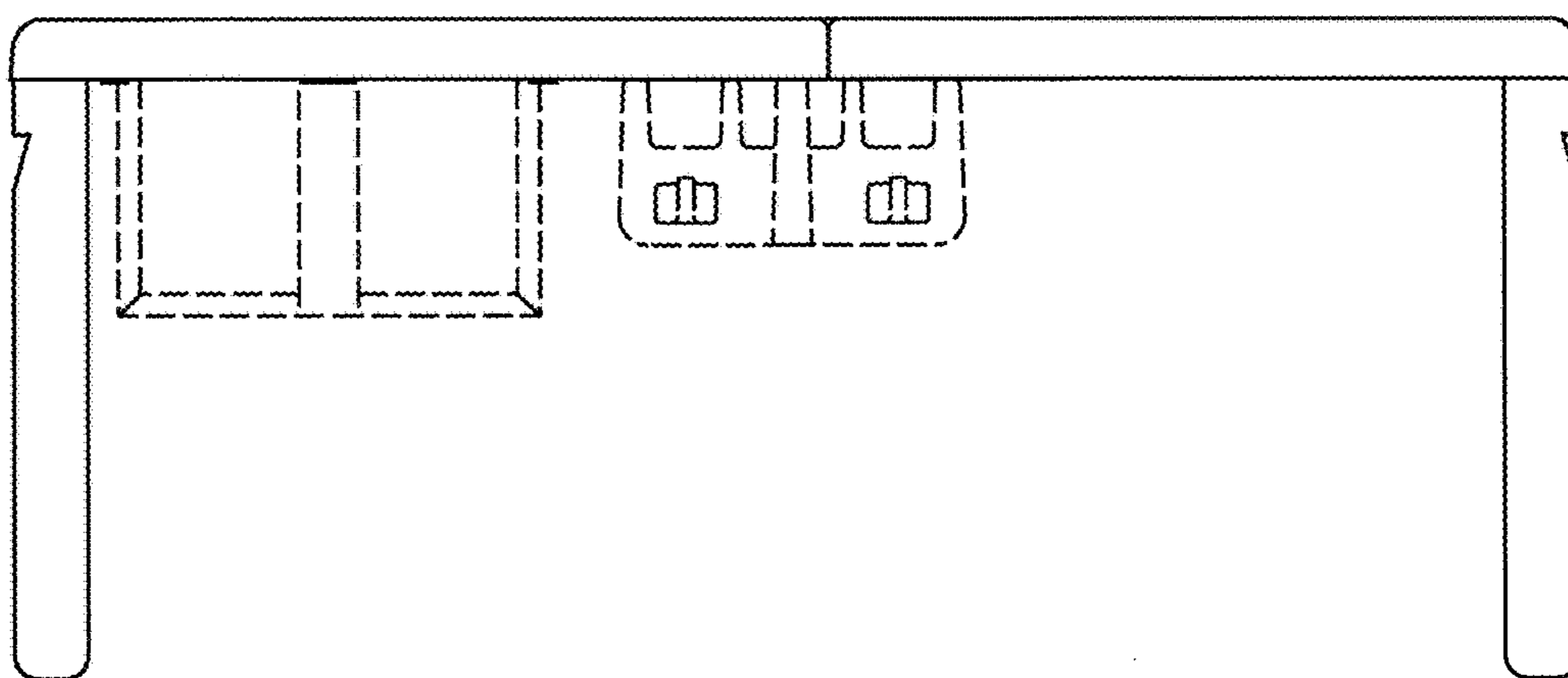


FIG. 3

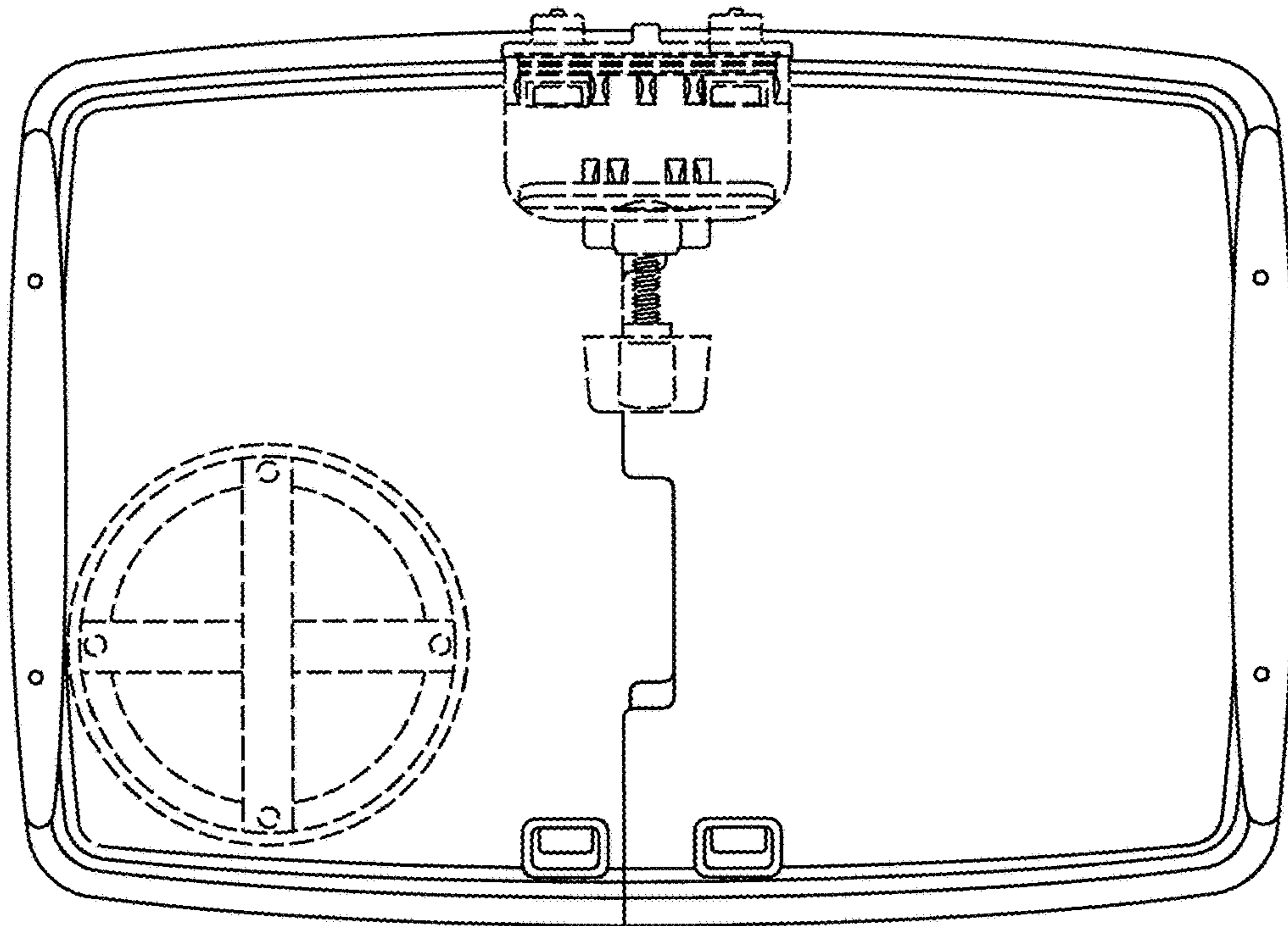


FIG. 4

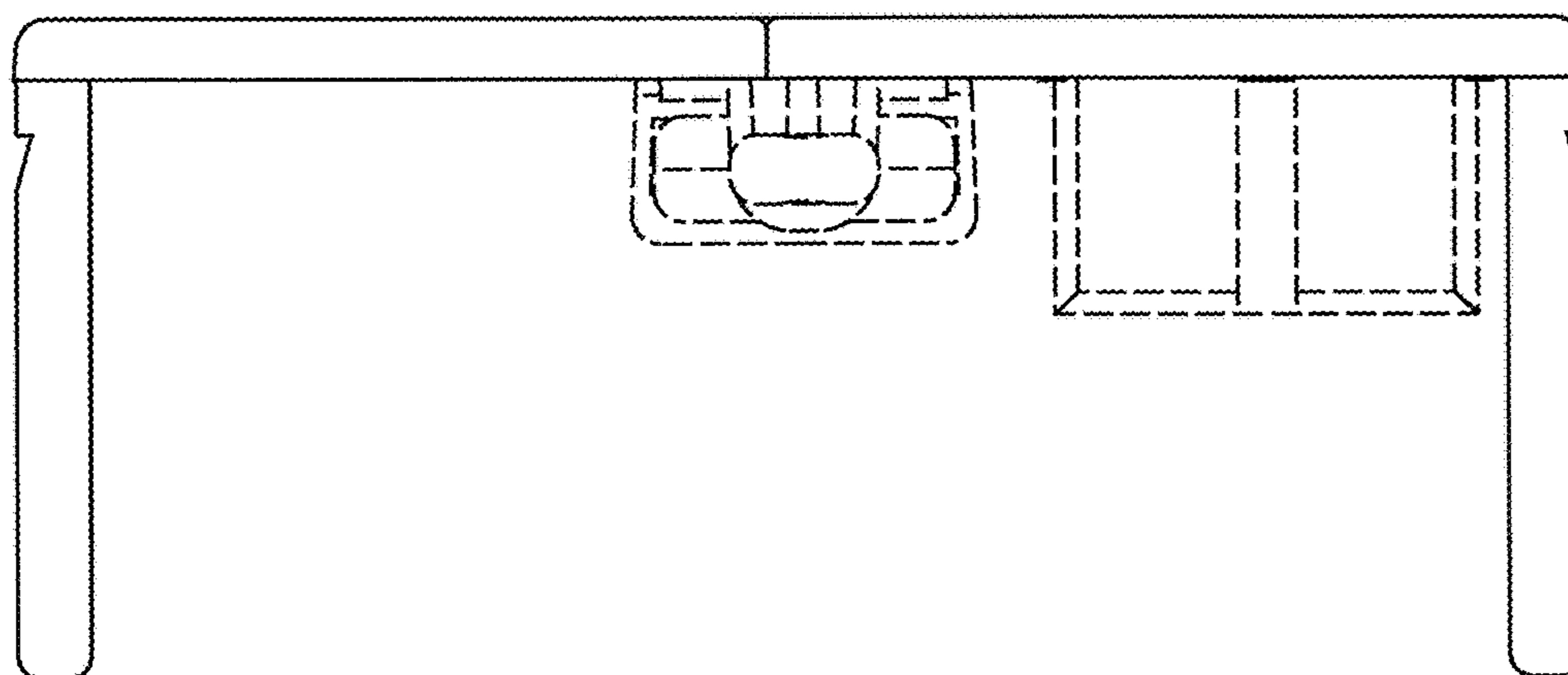


FIG. 5

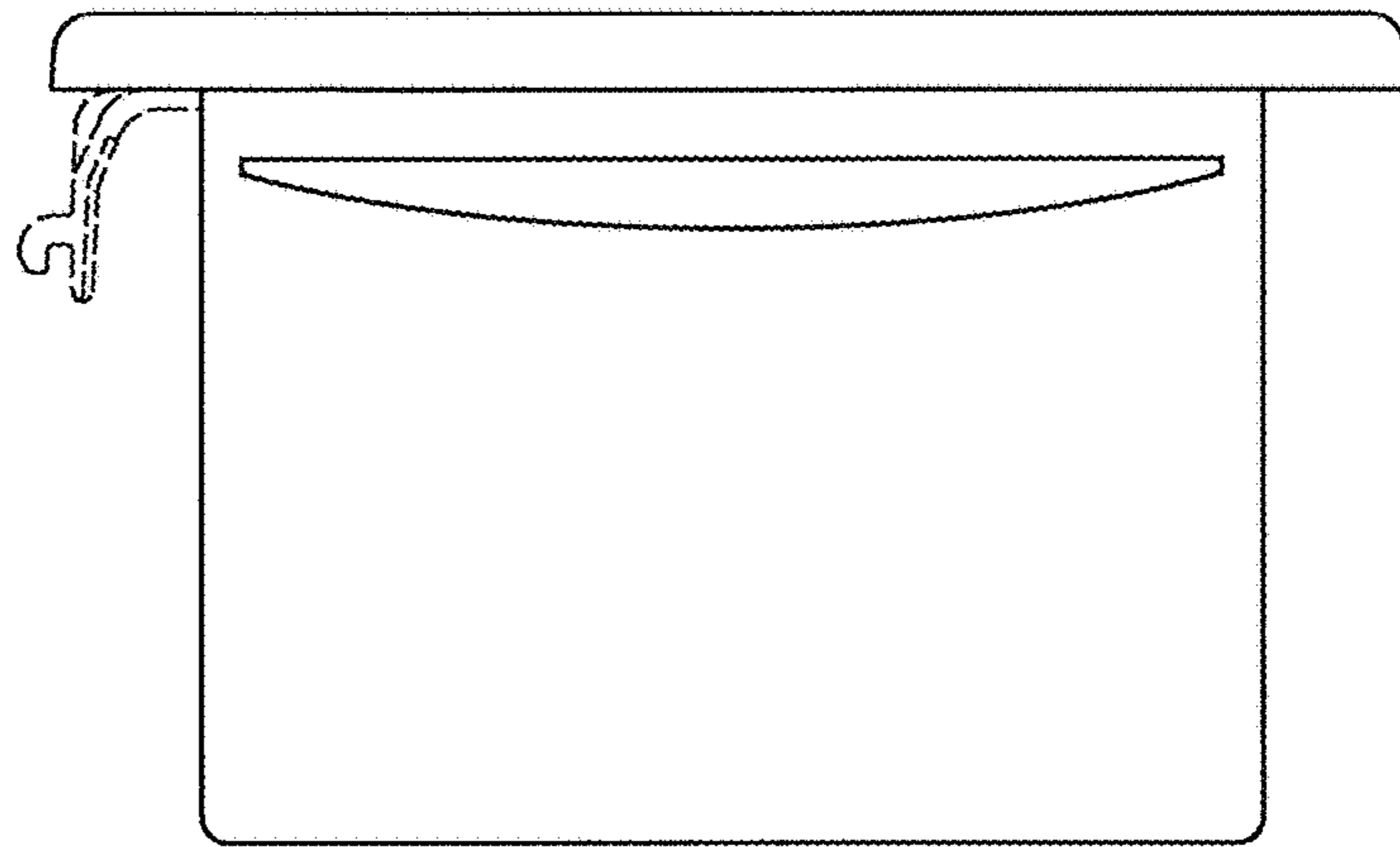


FIG. 6