



US00D840707S

(12) **United States Design Patent** (10) **Patent No.:** **US D840,707 S**
Hussain (45) **Date of Patent:** **** Feb. 19, 2019**

- (54) **CRIB WITH INLAID-STONE HEADBOARD** 2005/0022302 A1* 2/2005 Johnson A47D 7/01
5/93.2
- (71) Applicant: **M Design Village, LLC**, Somerset, NJ 2005/0229306 A1* 10/2005 Briere A47D 7/01
(US) 5/2.1
- (72) Inventor: **Munir Hussain**, Kinnelon, NJ (US) 2013/0074258 A1* 3/2013 Jacobs A47D 7/02
5/100
- (73) Assignee: **M Design Village, LLC**, Somerset, NJ 2014/0173823 A1* 6/2014 Chui A47D 11/005
(US) 5/93.2

- (**) Term: **15 Years**
- (21) Appl. No.: **29/602,130**
- (22) Filed: **Apr. 28, 2017**
- (51) **LOC (11) Cl.** **06-02**
- (52) **U.S. Cl.**
USPC **D6/390**
- (58) **Field of Classification Search**
USPC D6/383, 384, 390-392, 718.26, 718.28,
D6/719, 703.2, 705.2, 707.18
CPC . A47D 7/00; A47D 7/002; A47D 9/00; A47D
9/005; A47D 7/01; A47D 7/02; A47D
11/005; A47D 11/007
See application file for complete search history.

(56) **References Cited**

U.S. PATENT DOCUMENTS

D184,260 S *	1/1959	Lubberts et al.	D6/707.18
D271,925 S *	12/1983	Brunner	D6/718.26
D274,877 S *	7/1984	Mower	D6/718.28
D385,732 S *	11/1997	Keller	D6/719
D416,723 S *	11/1999	Hsieh	D6/707.18
D420,232 S *	2/2000	Paus	D6/719
D565,863 S *	4/2008	Draheim	D6/390
D568,628 S *	5/2008	Draheim	D6/390
D584,546 S *	1/2009	Chu	D6/707
D587,921 S *	3/2009	Draheim	D6/390
D619,376 S *	7/2010	Schopmeyer	D6/300
D677,930 S *	3/2013	Draheim	D6/390
2004/0216228 A1 *	11/2004	Briere	A47D 7/01 5/93.2

OTHER PUBLICATIONS

Brick Pattern, BrickLargeBlocks0016, Textures.com, Mar. 14, 2016, site visited Mar. 26, 2018, available online at <https://web.archive.org/web/20160314183220/https://www.textures.com/download/bricklargeblocks0016/2717> (Year: 2016).*

Brick Pattern, BrickSmallNew0114, Textures.com, Mar. 14, 2016, site visited Mar. 27, 2018, available online at <https://web.archive.org/web/20160314032209/http://www.textures.com:80/download/bricksmallnew0114/72779> (Year: 2016).*

* cited by examiner

Primary Examiner — Cathron C Brooks
(74) *Attorney, Agent, or Firm* — Kirby Drake

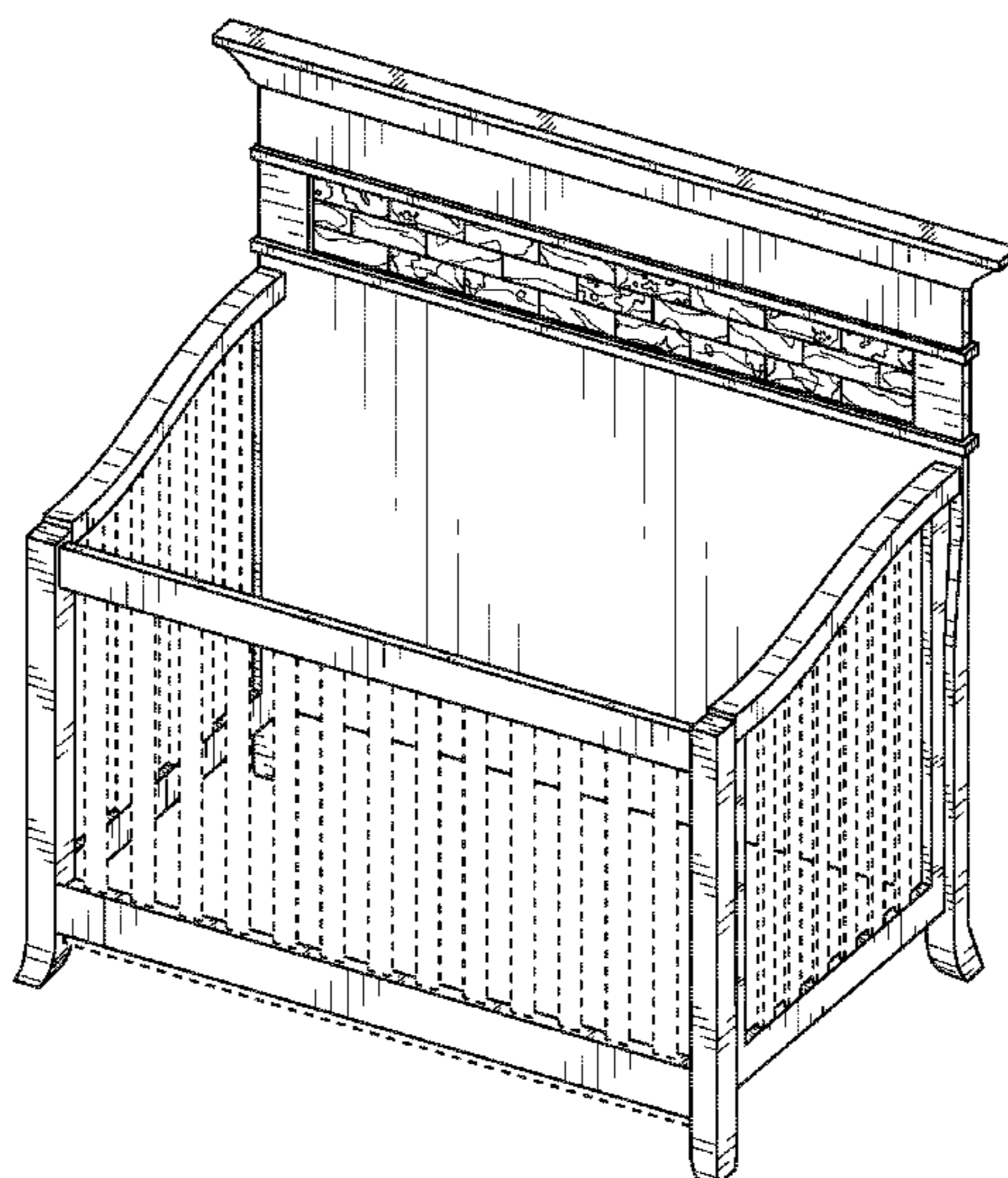
(57) **CLAIM**

The ornamental design for the crib with inlaid-stone headboard, as shown and described.

DESCRIPTION

FIG. 1 is a perspective view of a crib with stone-inlaid headboard according to an embodiment of the present disclosure;
FIG. 2 is a front view thereof;
FIG. 3 is a side view thereof; and,
FIG. 4 is a perspective view of a second embodiment of the crib with stone-inlaid headboard.
The broken lines in the drawings illustrate portions of the crib with inlaid-stone headboard that form no part of the claimed design.

1 Claim, 4 Drawing Sheets



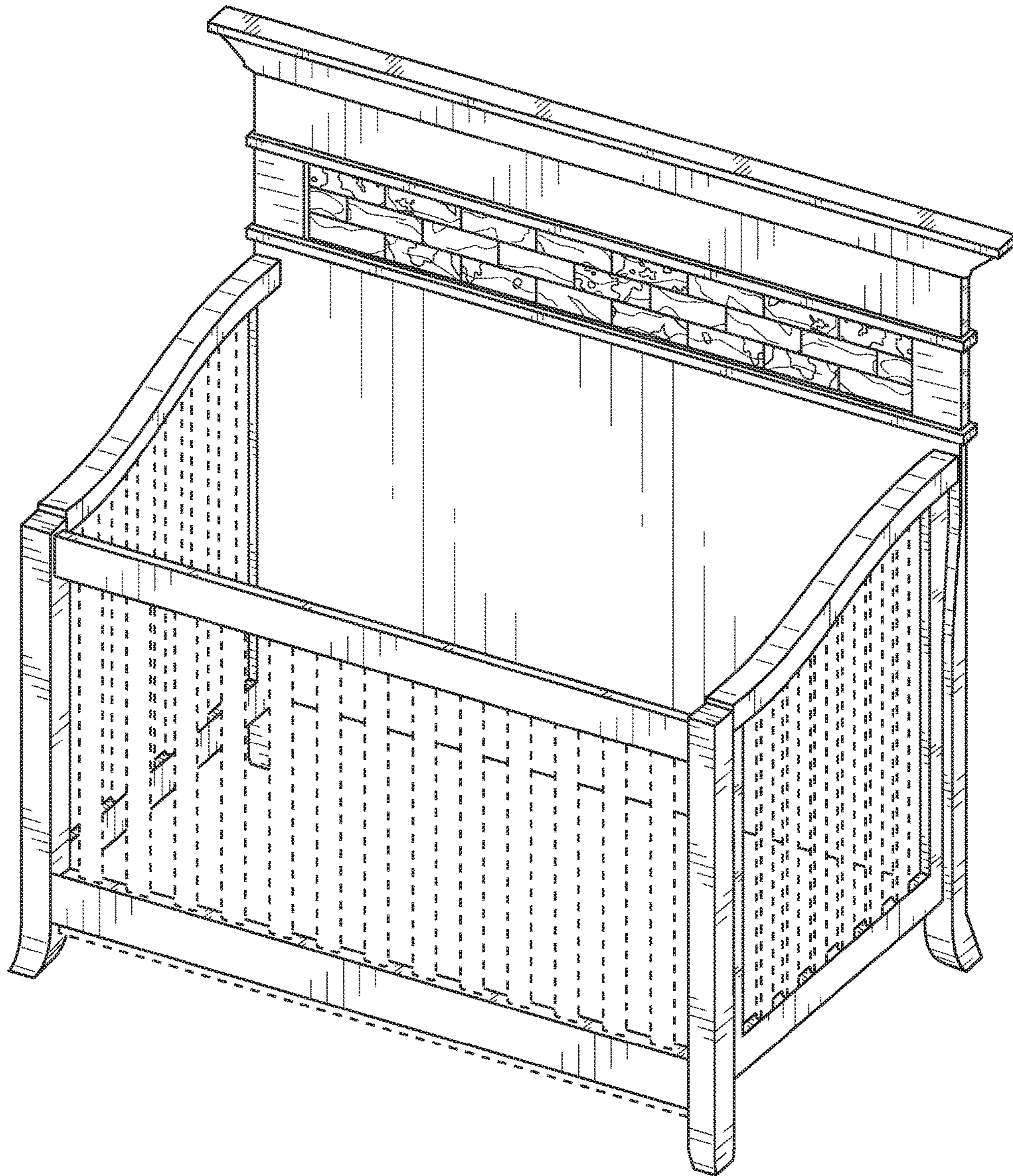


FIG. 1

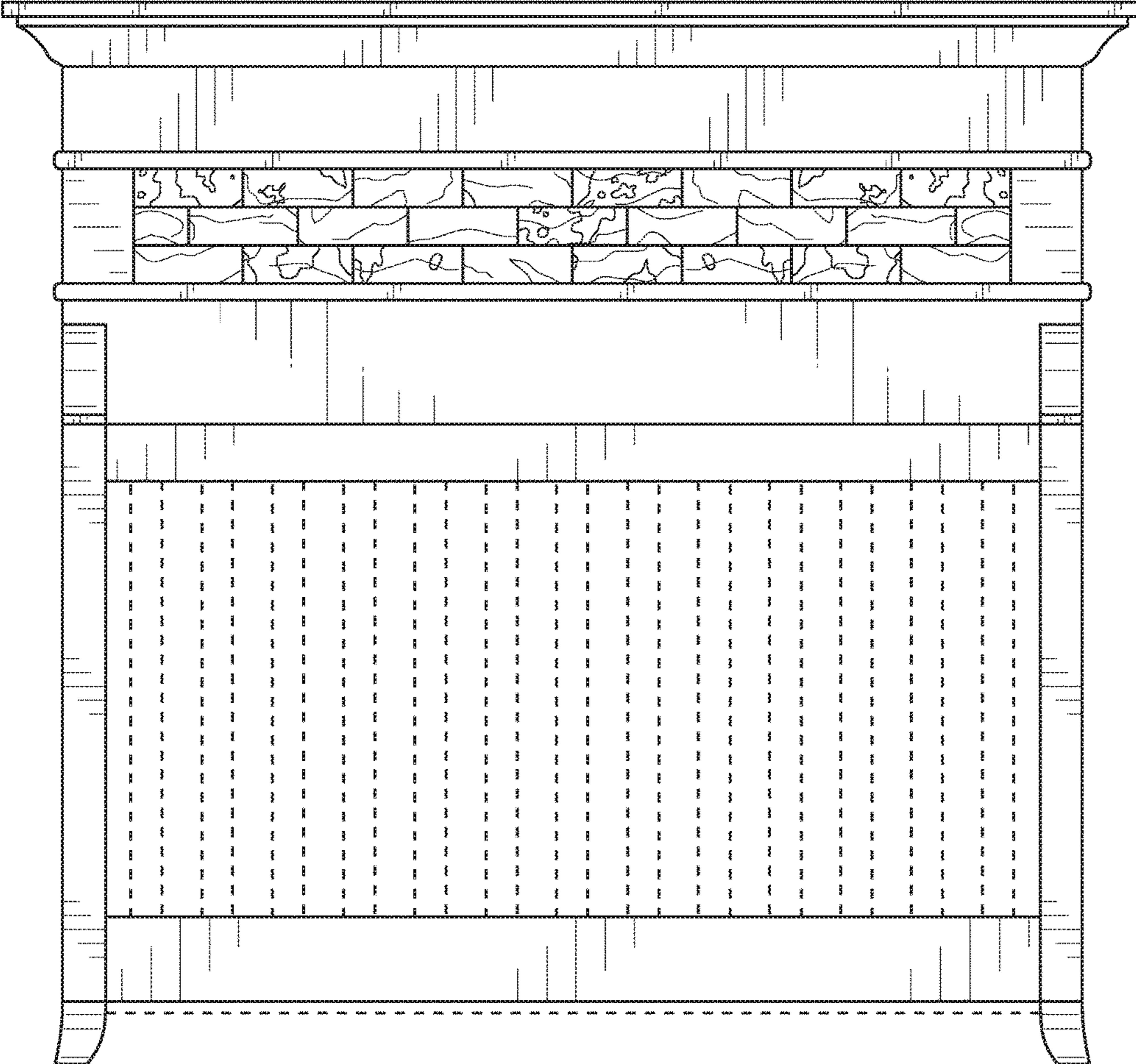


FIG. 2

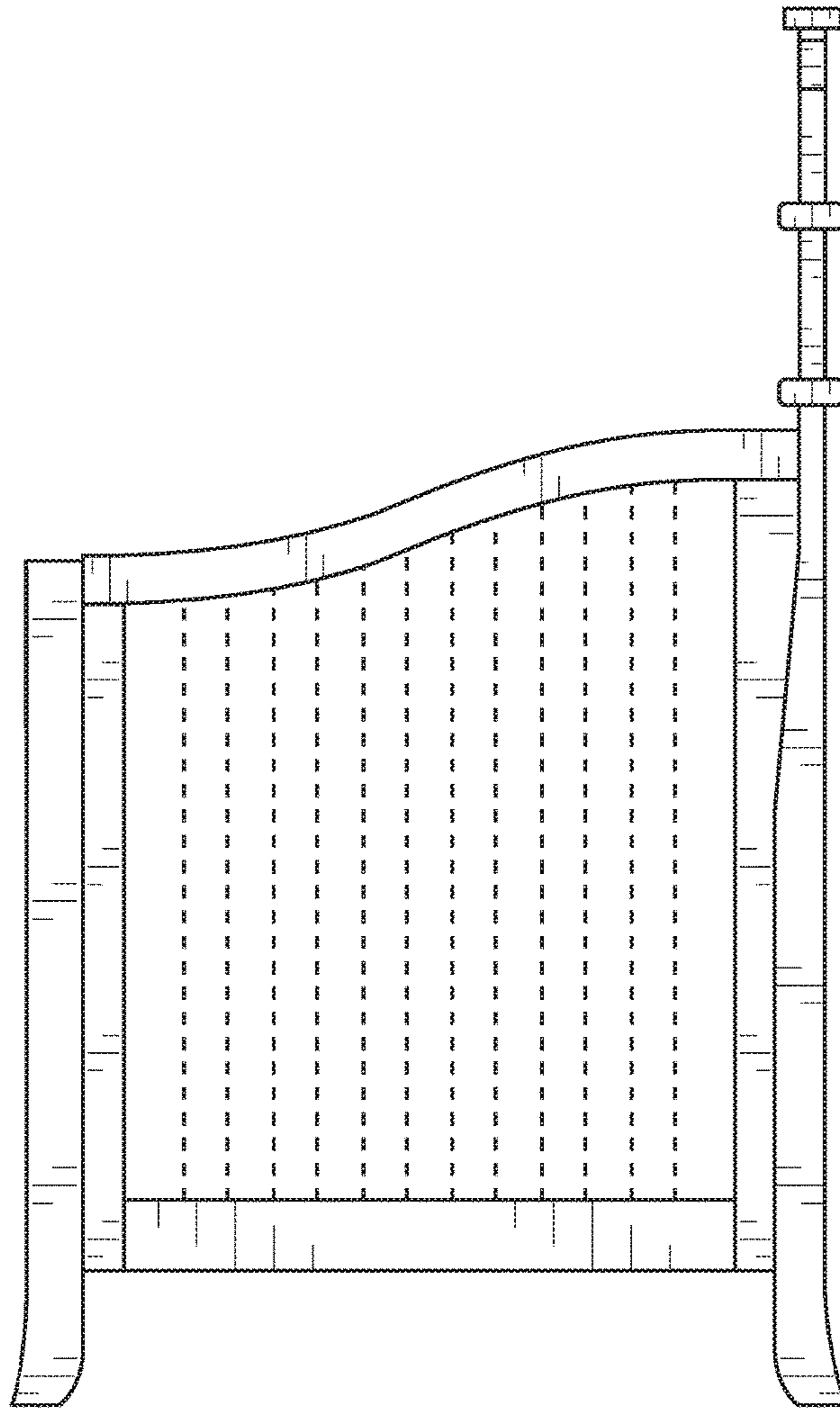


FIG. 3

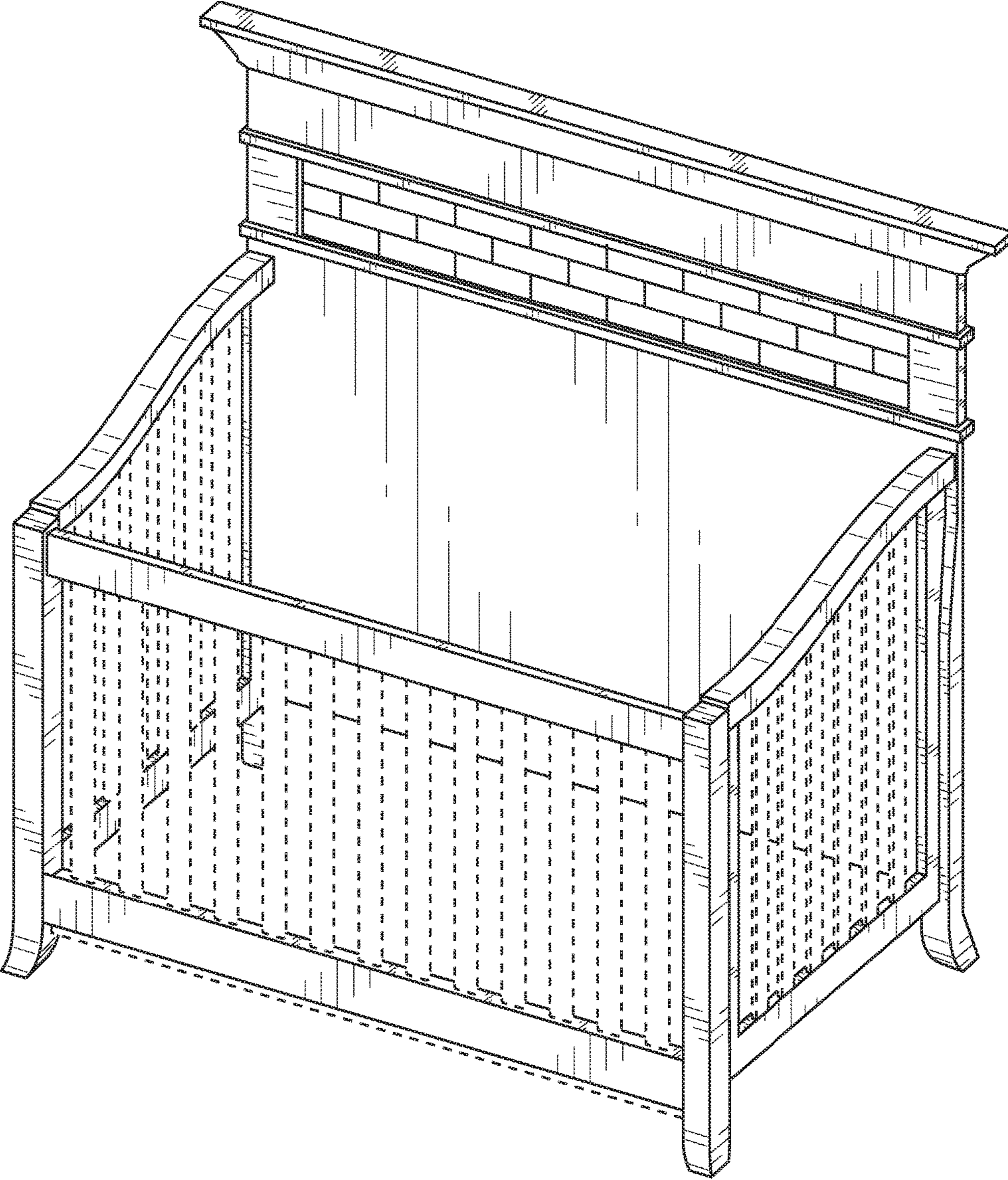


FIG. 4