



US00D840706S

(12) **United States Design Patent** (10) **Patent No.:** **US D840,706 S**
Grabowski et al. (45) **Date of Patent:** **** Feb. 19, 2019**

(54) **CHAIR**

(56) **References Cited**

(71) Applicant: **Paragon Furniture, Inc.**, Arlington, TX (US)
(72) Inventors: **Daniel Grabowski**, East Grand Rapids, MI (US); **Michael J. Sawadski**, Mount Prospect, IL (US); **Chris Brandel**, Chicago, IL (US); **Matthew Banach**, Gurnee, IL (US); **Dan Rucker**, Chicago, IL (US)
(73) Assignee: **Paragon Furniture, Inc.**, Arlington, TX (US)
(**) Term: **15 Years**

U.S. PATENT DOCUMENTS

D197,643	S	*	3/1964	Kramer	D6/366
D220,388	S	*	4/1971	Kramer	D6/366
D255,183	S	*	6/1980	Locher	D6/366
D255,185	S	*	6/1980	Locher	D6/375
D270,211	S	*	8/1983	Oberly	D6/375
D470,320	S	*	2/2003	Schloss	D6/375
D473,407	S	*	4/2003	Ross	D6/375
D474,348	S	*	5/2003	Bosman	D6/372
D494,789	S	*	8/2004	Brown	D6/716
6,921,135	B2	*	7/2005	Ellis	A47C 1/023 297/344.18
D521,757	S	*	5/2006	Glass	D6/372
D522,765	S	*	6/2006	Babick	D6/348
D549,018	S	*	8/2007	Glass	D6/375
D555,372	S	*	11/2007	Lin	D6/336
D566,979	S	*	4/2008	Cox	D6/375
D572,049	S	*	7/2008	Kerr	D6/375
D572,928	S	*	7/2008	Rittfeldt	D6/375

(Continued)

(21) Appl. No.: **29/630,170**

(22) Filed: **Dec. 19, 2017**

Primary Examiner — Kevin K Rudzinski
Assistant Examiner — Paul D Bohannon
(74) *Attorney, Agent, or Firm* — Ferguson Braswell
Fraser Kubasta PC; Elizabeth Philip Dahm; Kelly J. Kubasta

Related U.S. Application Data

(62) Division of application No. 29/551,385, filed on Jan. 13, 2016, now Pat. No. Des. 808,678.

(51) **LOC (11) Cl.** **06-01**

(52) **U.S. Cl.**
USPC **D6/375**

(58) **Field of Classification Search**
USPC D6/334, 335, 336, 348, 354, 366, 367, D6/368, 372, 373, 374, 375, 376, 601, D6/611, 708.21, 716, 716.1, 716.2, 716.3, D6/716.4, 716.5
CPC .. A47C 7/022; A47C 7/18; A47C 7/40; A47C 7/383; B60N 2/067; B60N 2/0715; B60N 2/22; B60N 2/48; B60N 2/66; B60N 2/449; B60N 2/4882
See application file for complete search history.

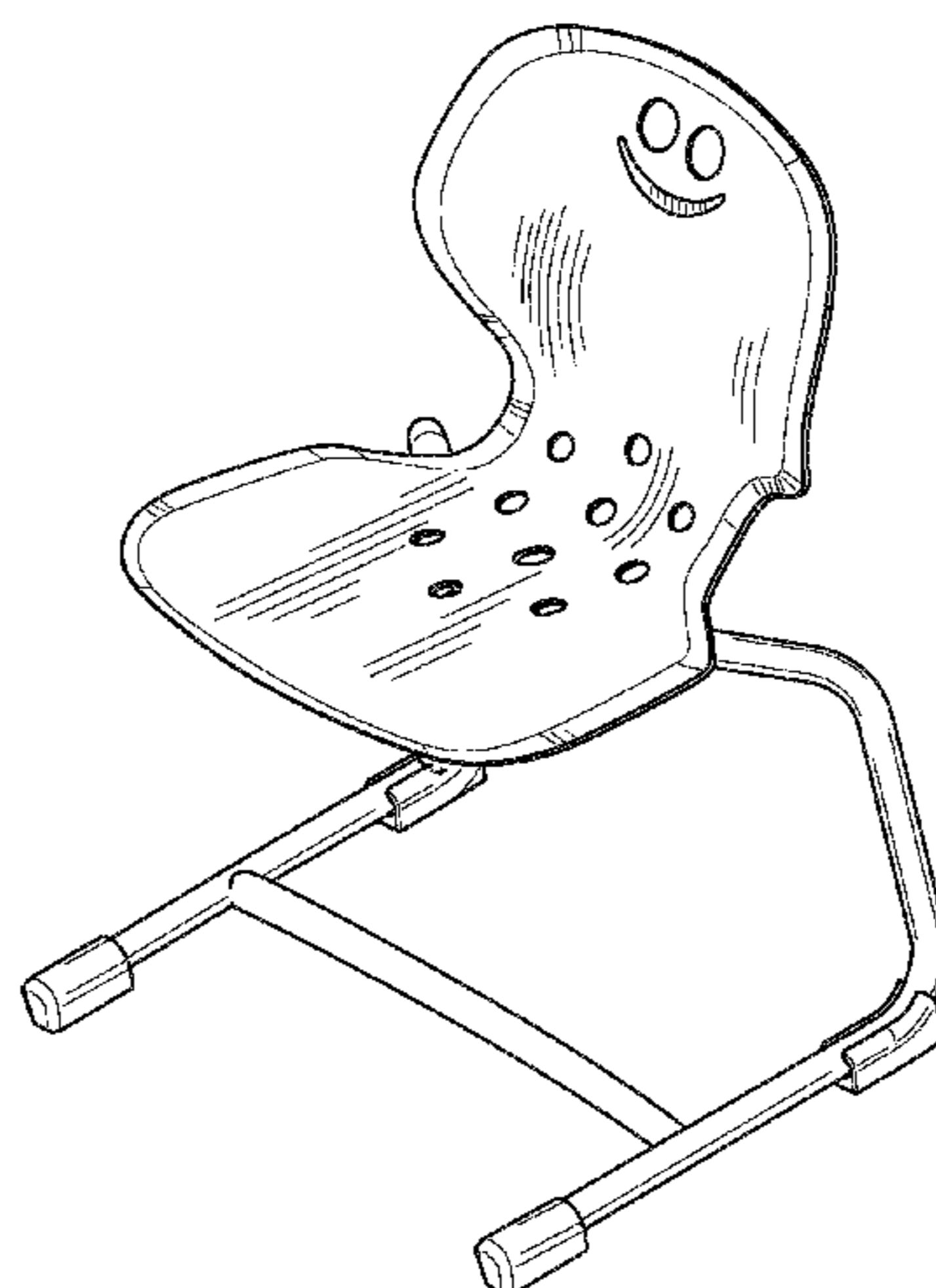
(57) **CLAIM**

The ornamental design for a chair, as shown and described.

DESCRIPTION

FIG. 1 is a front perspective view of a chair, according to one embodiment;
FIG. 2 is a front view of the chair of FIG. 1;
FIG. 3 is a rear view of the chair of FIG. 1;
FIG. 4 is a right side of the chair of FIG. 1;
FIG. 5 is a left side of the chair of FIG. 1;
FIG. 6 is a top plan view of the chair of FIG. 1; and,
FIG. 7 is a bottom plan view of the chair of FIG. 1.
The broken lines, when present in the drawings, are for the purpose of illustrating the environment of the design and form no part of the claimed design.

1 Claim, 7 Drawing Sheets



(56)

References Cited

U.S. PATENT DOCUMENTS

D609,489 S * 2/2010 Adams D6/375
D611,740 S * 3/2010 Koh D6/375
D638,230 S * 5/2011 Roy D6/366
D638,232 S * 5/2011 Roy D6/376
D643,225 S * 8/2011 Hurford D6/376
D646,076 S * 10/2011 Levy D6/375
D648,561 S * 11/2011 Johansson D6/375
D659,444 S * 5/2012 James D6/375
D693,588 S * 11/2013 Moore D6/375
D753,945 S * 4/2016 Johnson A47C 3/04
D6/375
D764,850 S * 8/2016 Davidson D6/375
D766,639 S * 9/2016 Glass D6/373
D794,372 S * 8/2017 Lin D6/368
D796,883 S * 9/2017 Mehaffey D6/375
D801,096 S * 10/2017 Grabowski D6/716
D801,097 S * 10/2017 Grabowski D6/716
9,801,470 B2 * 10/2017 Mehaffey A47C 3/12
D802,348 S * 11/2017 Grabowski D6/716
9,814,316 B2 * 11/2017 Kassanoff A47C 3/00
D808,187 S * 1/2018 Ludwig D6/375
D808,677 S * 1/2018 Grabowski D6/375
D808,678 S * 1/2018 Grabowski D6/375
D809,315 S * 2/2018 Grabowski D6/375
D811,789 S * 3/2018 Fletcher D6/708.16
2003/0102700 A1 * 6/2003 Lin A47C 3/34
297/183.9
2005/0275262 A1 * 12/2005 Mills A47C 3/029
297/271.5
2016/0106216 A1 * 4/2016 Mehaffey A47C 3/12
297/452.14
2017/0196360 A1 * 7/2017 Takagi A47C 7/40

* cited by examiner

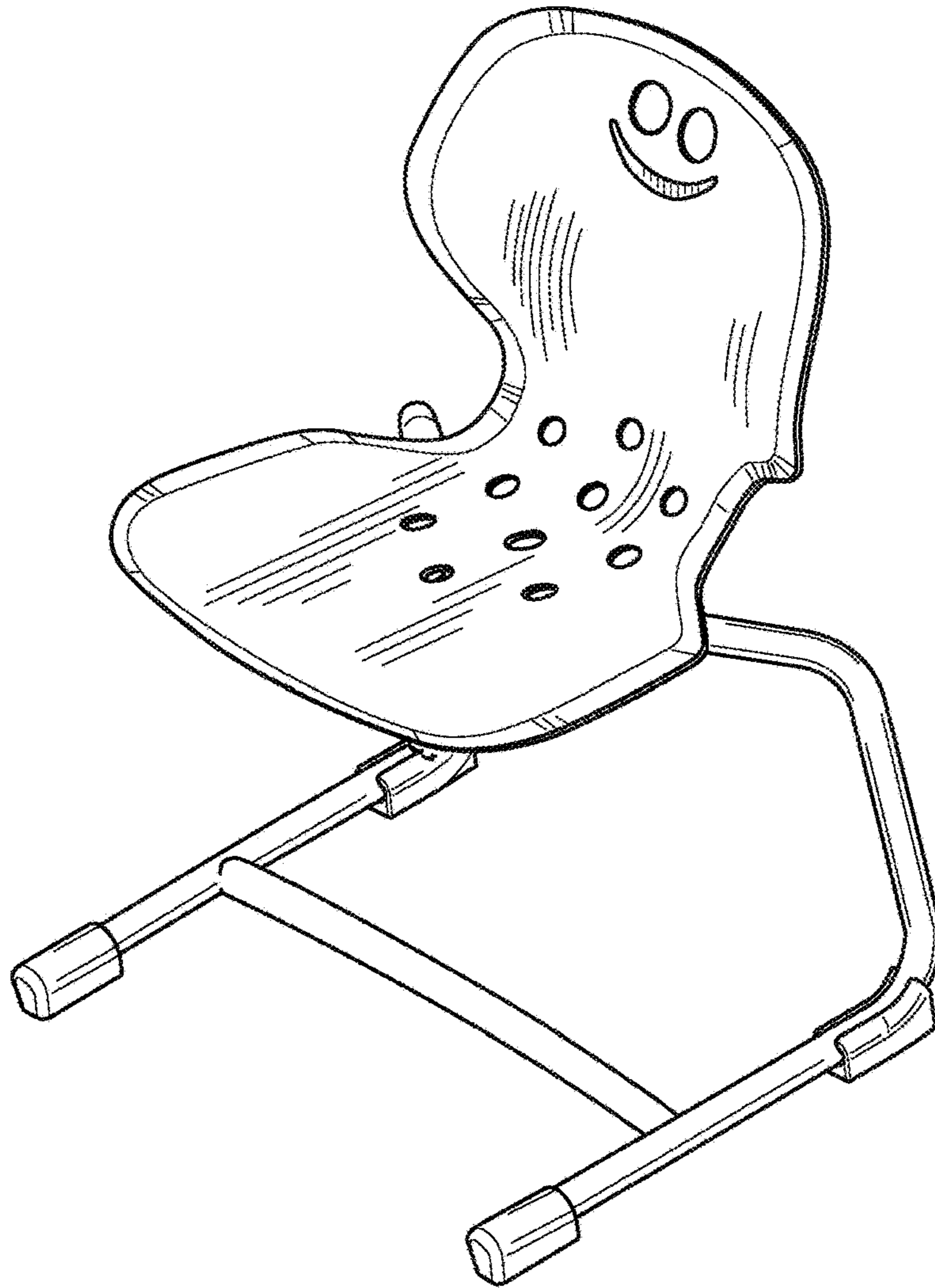


FIG. 1

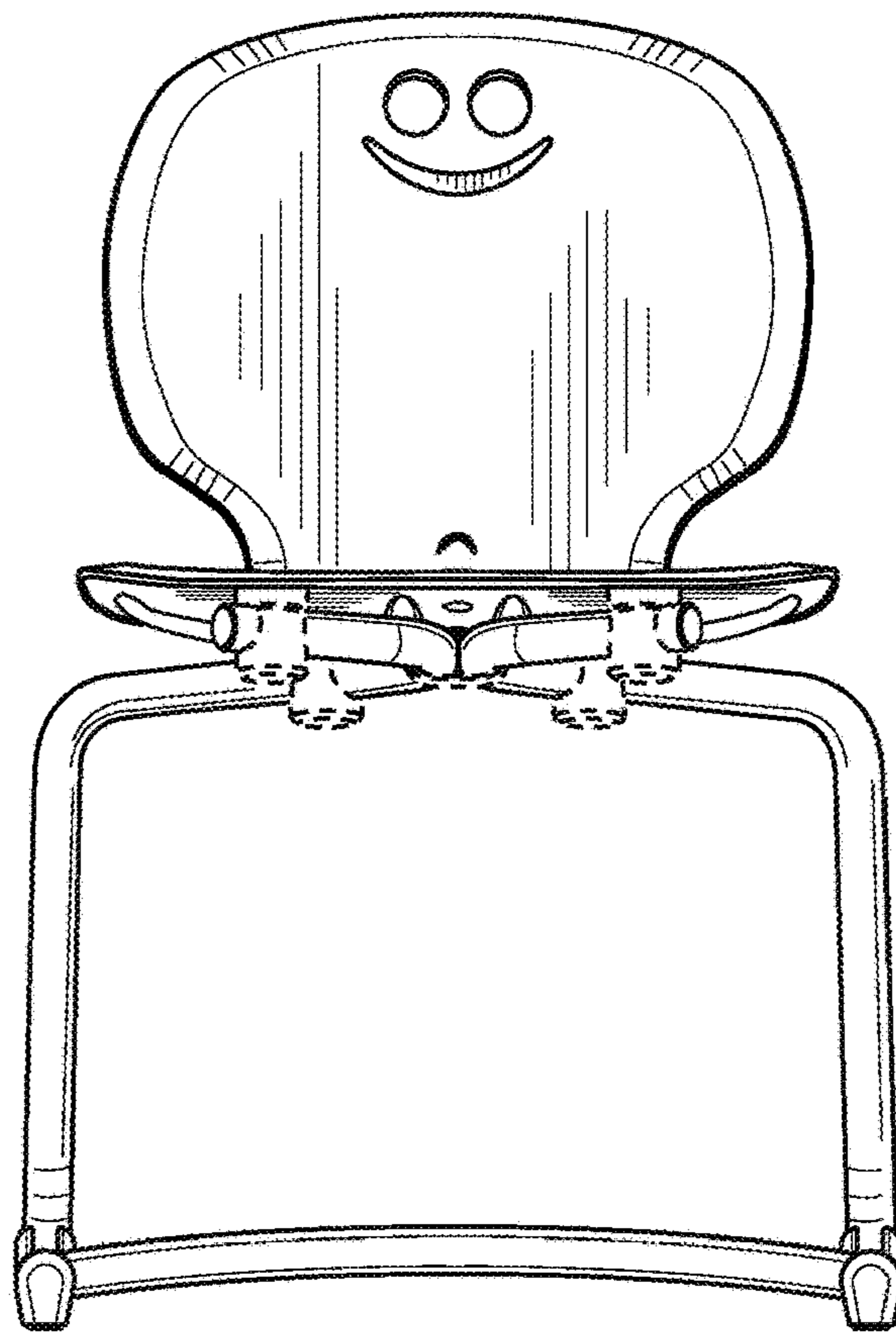


FIG. 2

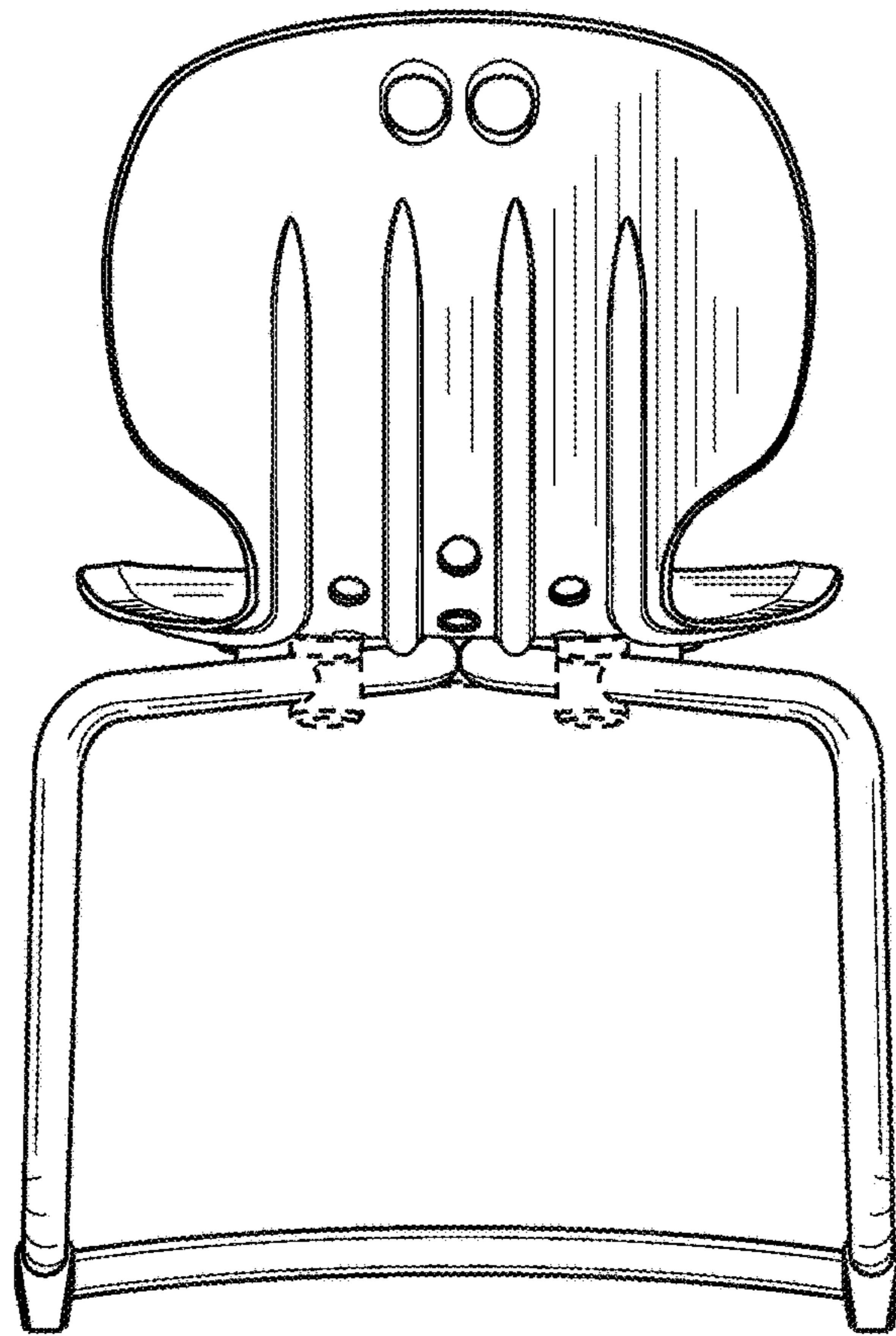


FIG. 3

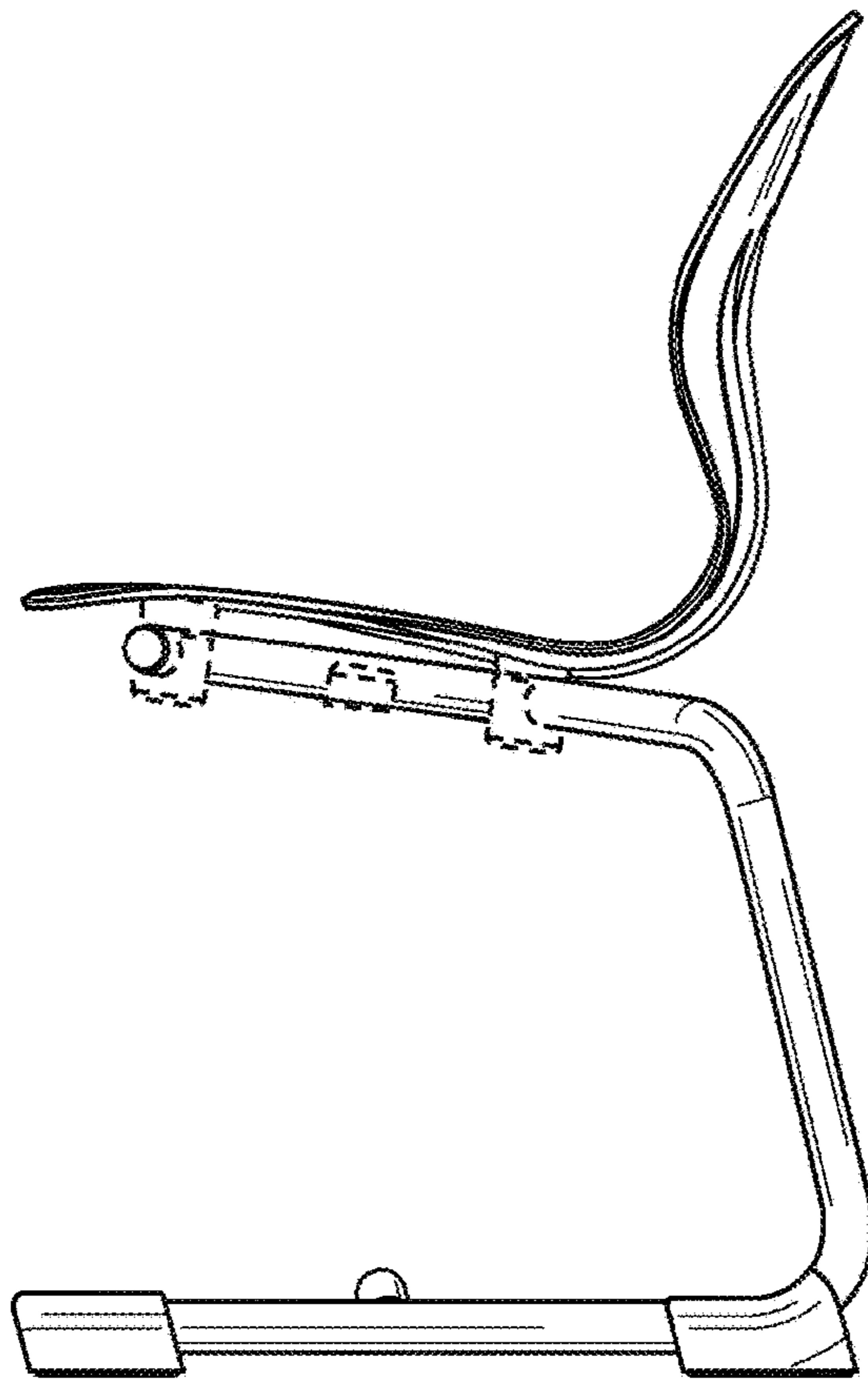


FIG. 4

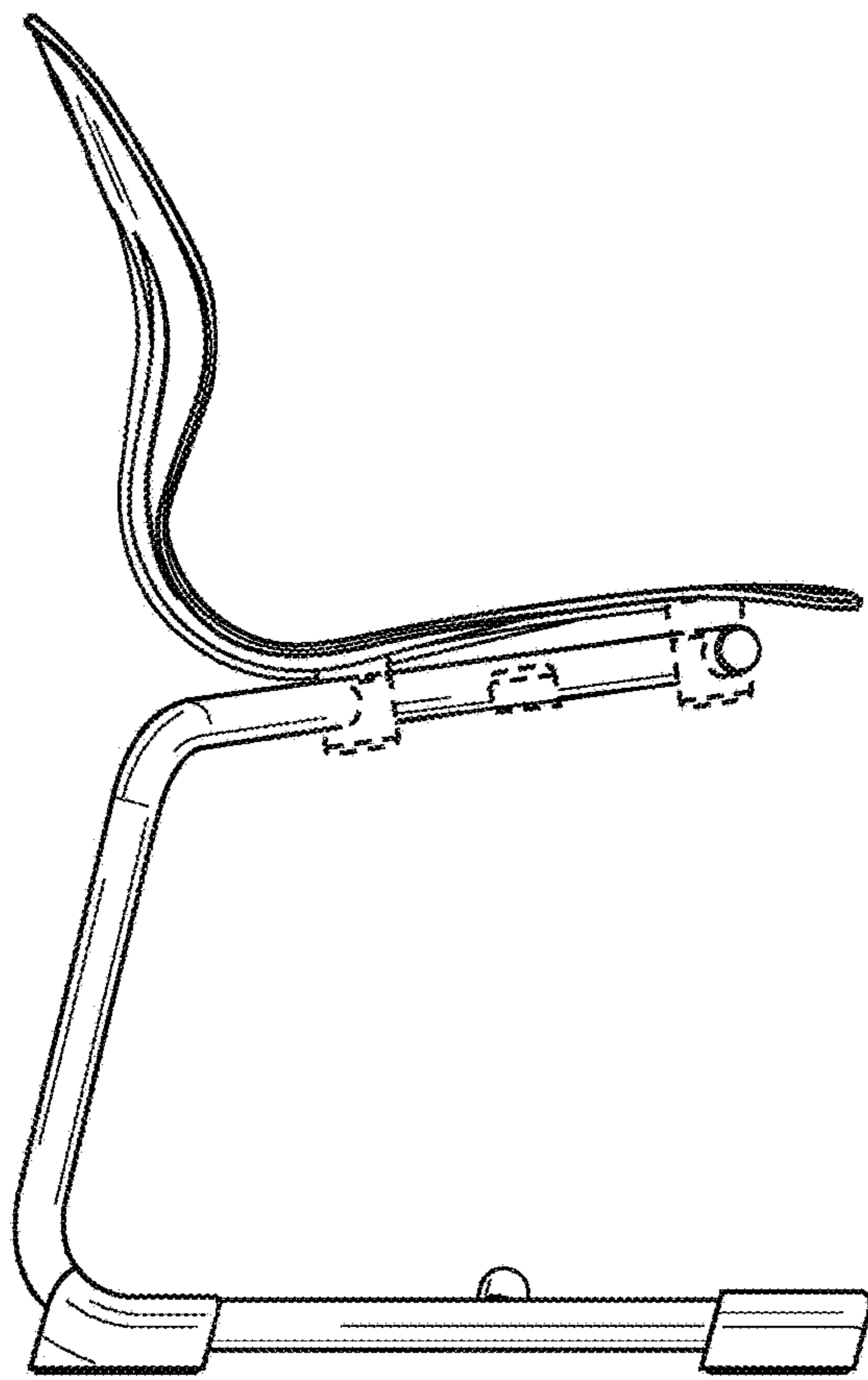


FIG. 5

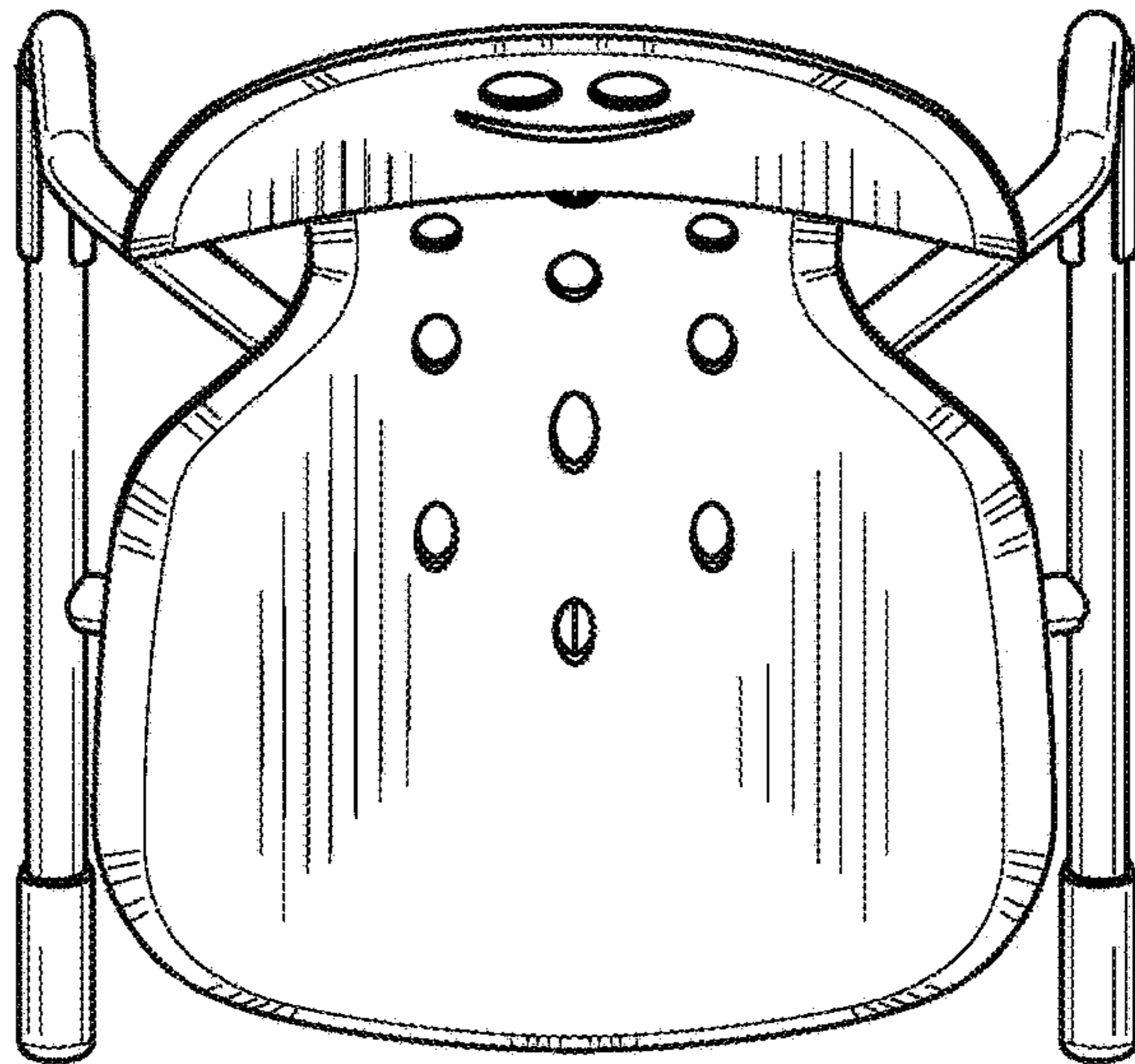


FIG. 6

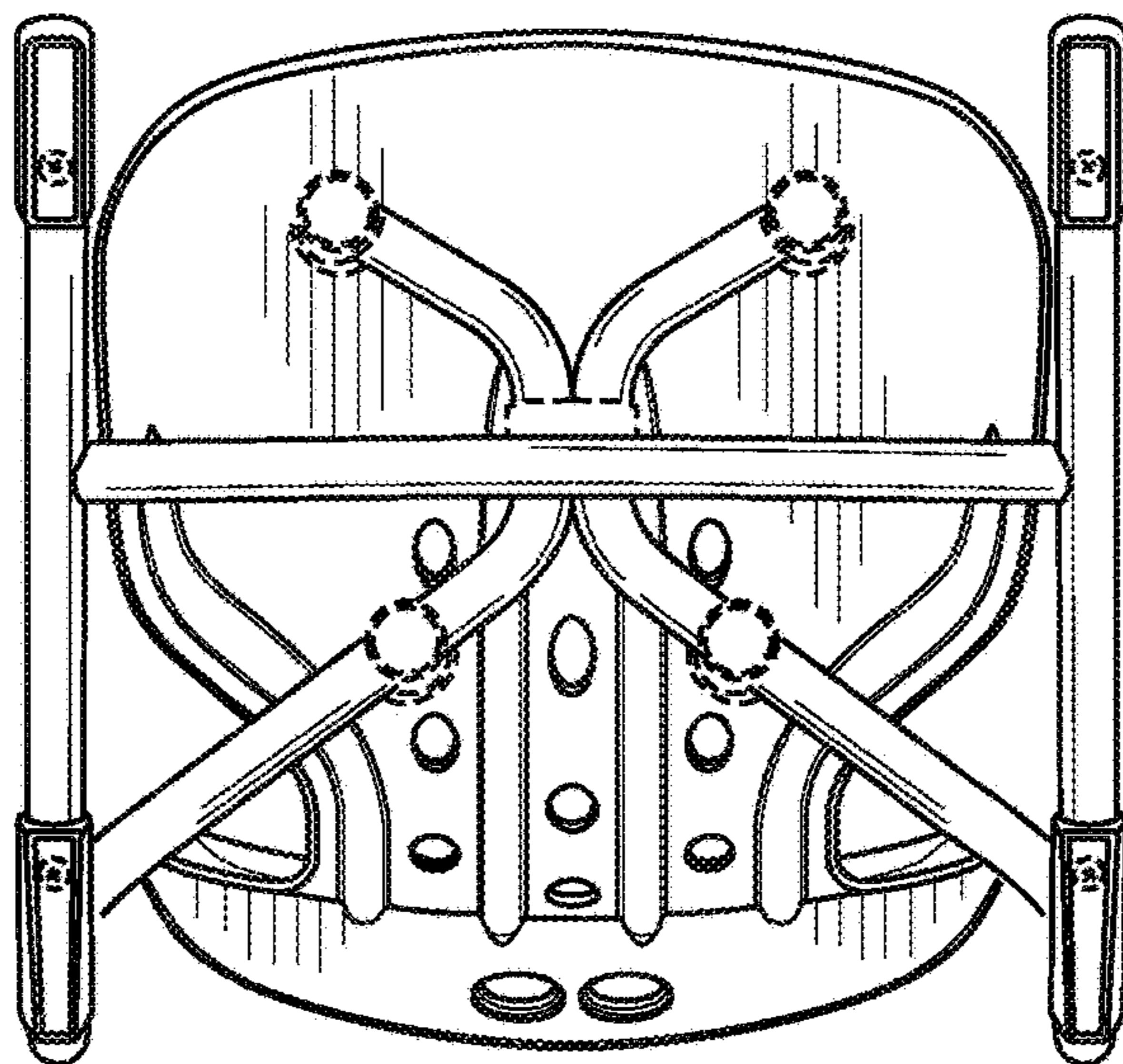


FIG. 7