



US00D840704S

(12) **United States Design Patent** (10) **Patent No.:** **US D840,704 S**  
**Grabowski et al.** (45) **Date of Patent:** **\*\* Feb. 19, 2019**

(54) **CHAIR**  
(71) Applicant: **Paragon Furniture, Inc.**, Arlington, TX (US)  
(72) Inventors: **Daniel Grabowski**, East Grand Rapids, MI (US); **Michael J. Sawadski**, Mount Prospect, IL (US); **Chris Brandel**, Chicago, IL (US); **Matthew Banach**, Gurnee, IL (US); **Dan Rucker**, Chicago, IL (US)  
(73) Assignee: **Paragon Furniture, Inc.**, Arlington, TX (US)  
(\*\*) Term: **15 Years**

D255,183 S *	6/1980	Locher	.....	D6/366
D255,185 S *	6/1980	Locher	.....	D6/375
D270,211 S *	8/1983	Oberly	.....	D6/375
D470,320 S *	2/2003	Schloss	.....	D6/375
D473,407 S *	4/2003	Ross	.....	D6/375
D474,348 S *	5/2003	Bosman	.....	D6/372
D494,789 S *	8/2004	Brown	.....	D6/716
6,921,135 B2 *	7/2005	Ellis	.....	A47C 1/023 297/344.18
D521,757 S *	5/2006	Glass	.....	D6/372
D522,765 S *	6/2006	Babick	.....	D6/348
D549,018 S *	8/2007	Glass	.....	D6/375
D555,372 S *	11/2007	Lin	.....	D6/336
D566,979 S *	4/2008	Cox	.....	D6/375
D572,049 S *	7/2008	Kerr	.....	D6/375
D572,928 S *	7/2008	Rittfeldt	.....	D6/375
D609,489 S *	2/2010	Adams	.....	D6/375

(Continued)

(21) Appl. No.: **29/630,048**  
(22) Filed: **Dec. 19, 2017**

**Related U.S. Application Data**

(62) Division of application No. 29/551,381, filed on Jan. 13, 2016, now Pat. No. Des. 808,677.

(51) **LOC (11) Cl.** ..... **06-01**  
(52) **U.S. Cl.**  
USPC ..... **D6/375**

(58) **Field of Classification Search**  
USPC ..... D6/336, 366, 367, 368, 374, 601, 611, D6/708.21, 716, 716.1, 716.2, 716.3, D6/716.4, 16.5, 716.5  
CPC .. A47C 7/022; A47C 7/18; A47C 7/40; A47C 7/383; B60N 2/22; B60N 2/48; B60N 2/66; B60N 2/449; B60N 2/4882; B60N 2/067; B60N 2/0715  
See application file for complete search history.

(56) **References Cited**

**U.S. PATENT DOCUMENTS**

D197,643 S *	3/1964	Kramer	.....	D6/366
D220,388 S *	4/1971	Kramer	.....	D6/366

*Primary Examiner* — Kevin K Rudzinski  
*Assistant Examiner* — Paul D Bohannon  
(74) *Attorney, Agent, or Firm* — Ferguson Braswell Fraser Kubasta PC; Elizabeth Philip Dahm; Kelly J. Kubasta

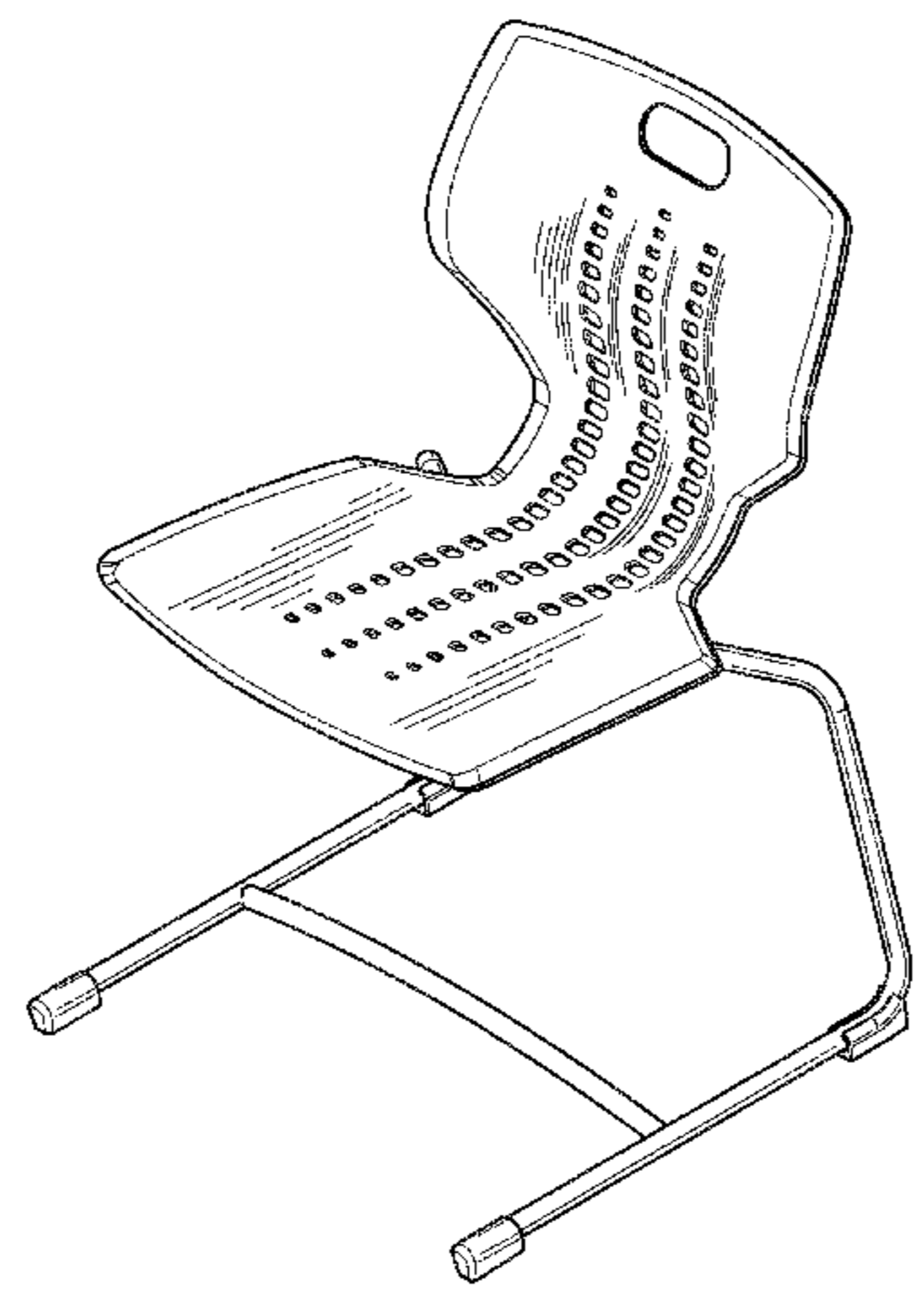
(57) **CLAIM**

The ornamental design for a chair, as shown and described.

**DESCRIPTION**

FIG. 1 is a front perspective view of a chair, according to one embodiment;  
FIG. 2 is a front view of the chair of FIG. 1;  
FIG. 3 is a rear view of the chair of FIG. 1;  
FIG. 4 is a right side of the chair of FIG. 1;  
FIG. 5 is a left side of the chair of FIG. 1;  
FIG. 6 is a top plan view of the chair of FIG. 1; and,  
FIG. 7 is a bottom plan view of the chair of FIG. 1.  
The broken lines, when present in the drawings, are for the purpose of illustrating the environment of the design and form no part of the claimed design.

**1 Claim, 7 Drawing Sheets**



(56)

## References Cited

## U.S. PATENT DOCUMENTS

D611,740	S *	3/2010	Koh	.....	D6/375
D638,230	S *	5/2011	Roy	.....	D6/366
D638,232	S *	5/2011	Roy	.....	D6/376
D643,225	S *	8/2011	Hurford	.....	D6/376
D646,076	S *	10/2011	Levy	.....	D6/375
D648,561	S *	11/2011	Johansson	.....	D6/375
D659,444	S *	5/2012	James	.....	D6/375
D693,588	S *	11/2013	Moore	.....	D6/375
D753,945	S *	4/2016	Johnson	.....	A47C 3/04 D6/375
D764,850	S *	8/2016	Davidson	.....	D6/375
D766,639	S *	9/2016	Glass	.....	D6/373
D794,372	S *	8/2017	Lin	.....	D6/368
D796,883	S *	9/2017	Mehaffey	.....	D6/375
D801,096	S *	10/2017	Grabowski	.....	D6/716
D801,097	S *	10/2017	Grabowski	.....	D6/716
9,801,470	B2 *	10/2017	Mehaffey	.....	A47C 3/12
D802,348	S *	11/2017	Grabowski	.....	D6/716
9,814,316	B2 *	11/2017	Kassanoff	.....	A47C 3/00
D808,187	S *	1/2018	Ludwig	.....	D6/375
D808,677	S *	1/2018	Grabowski	.....	D6/375
D808,678	S *	1/2018	Grabowski	.....	D6/375
D809,315	S *	2/2018	Grabowski	.....	D6/375
D811,789	S *	3/2018	Fletcher	.....	D6/708.16
2003/0102700	A1 *	6/2003	Lin	.....	A47C 3/34 297/183.9
2005/0275262	A1 *	12/2005	Mills	.....	A47C 3/029 297/271.5
2016/0106216	A1 *	4/2016	Mehaffey	.....	A47C 3/12 297/452.14
2017/0196360	A1 *	7/2017	Takagi	.....	A47C 7/40

\* cited by examiner

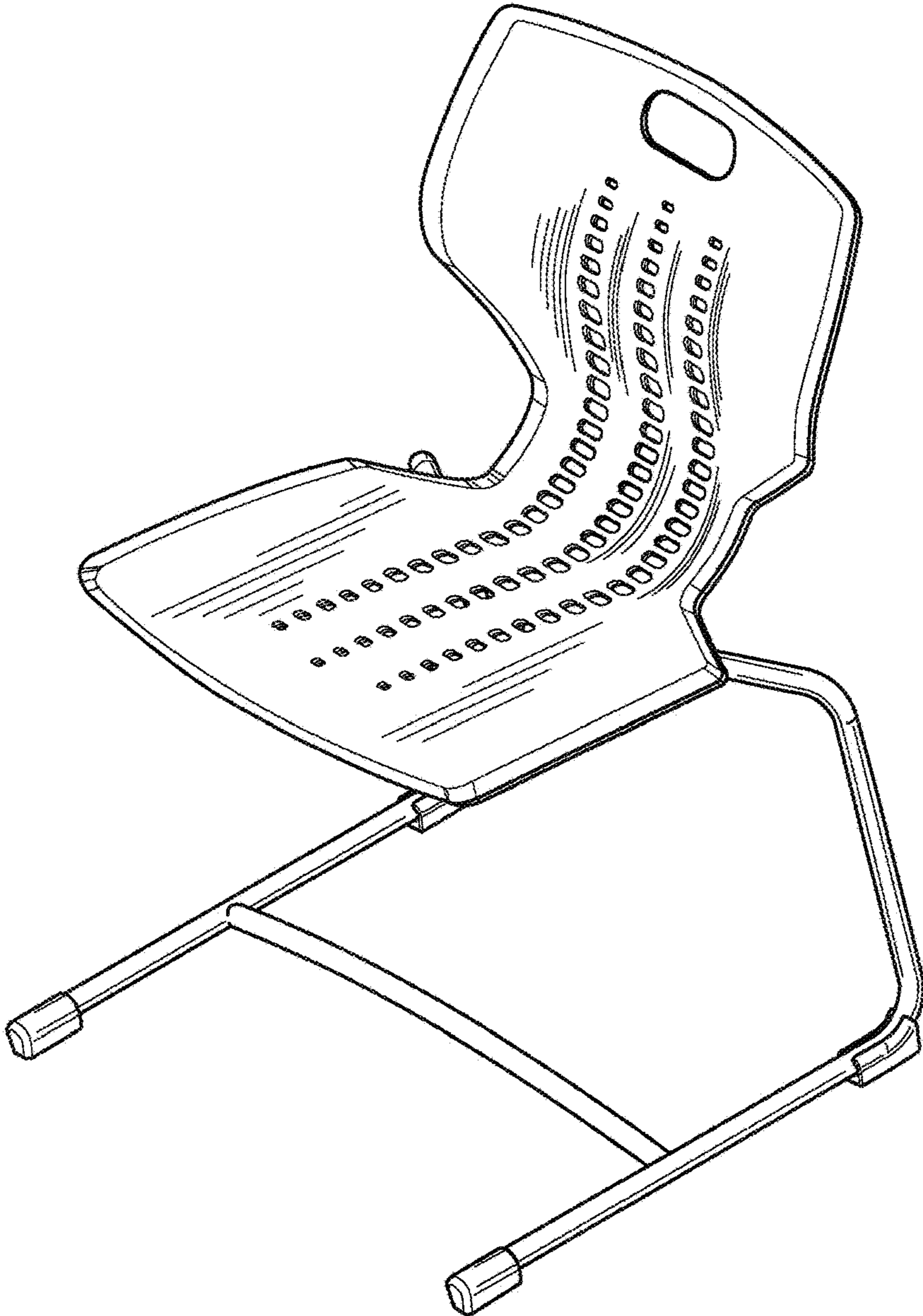


FIG. 1

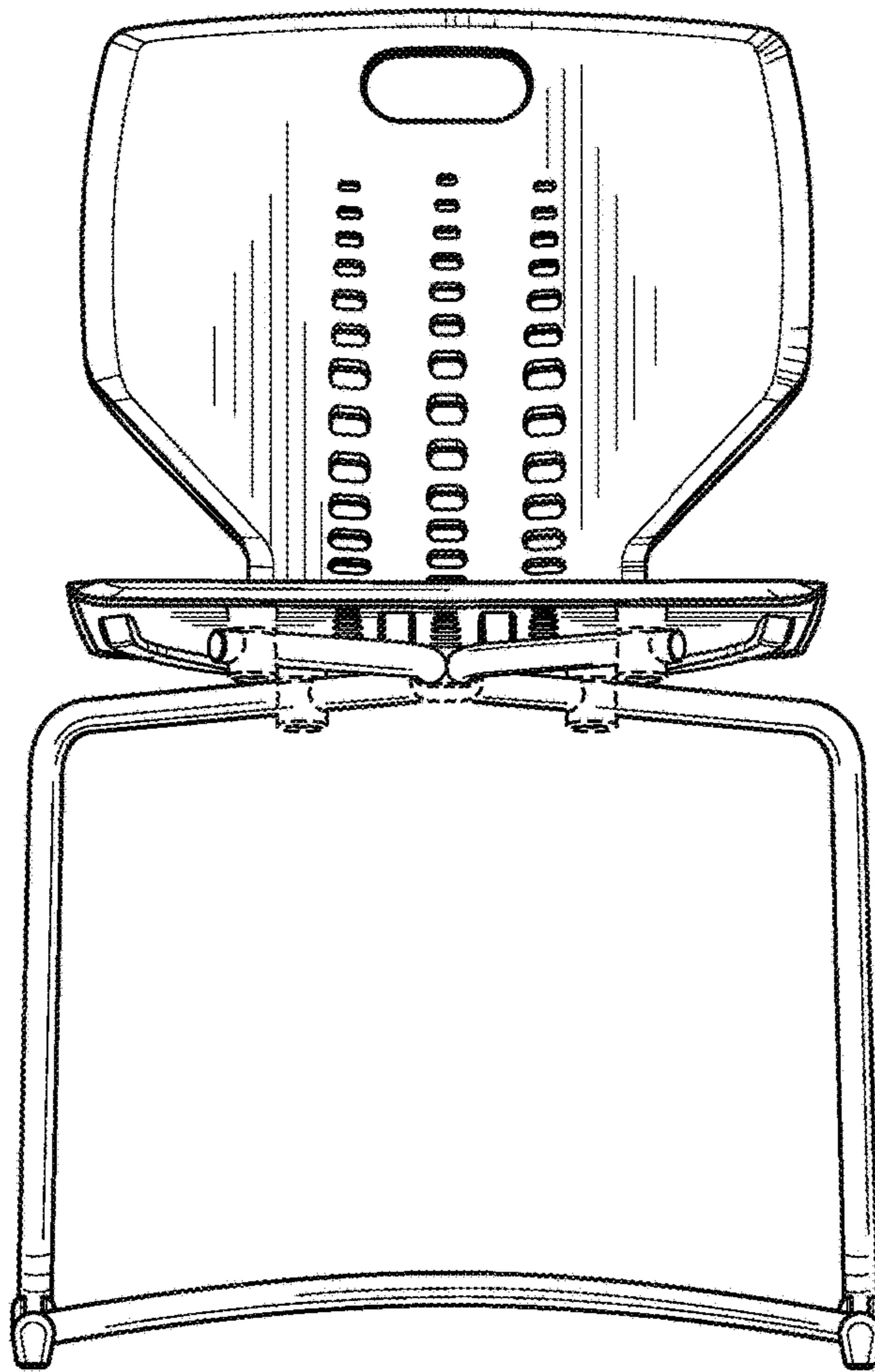


FIG. 2

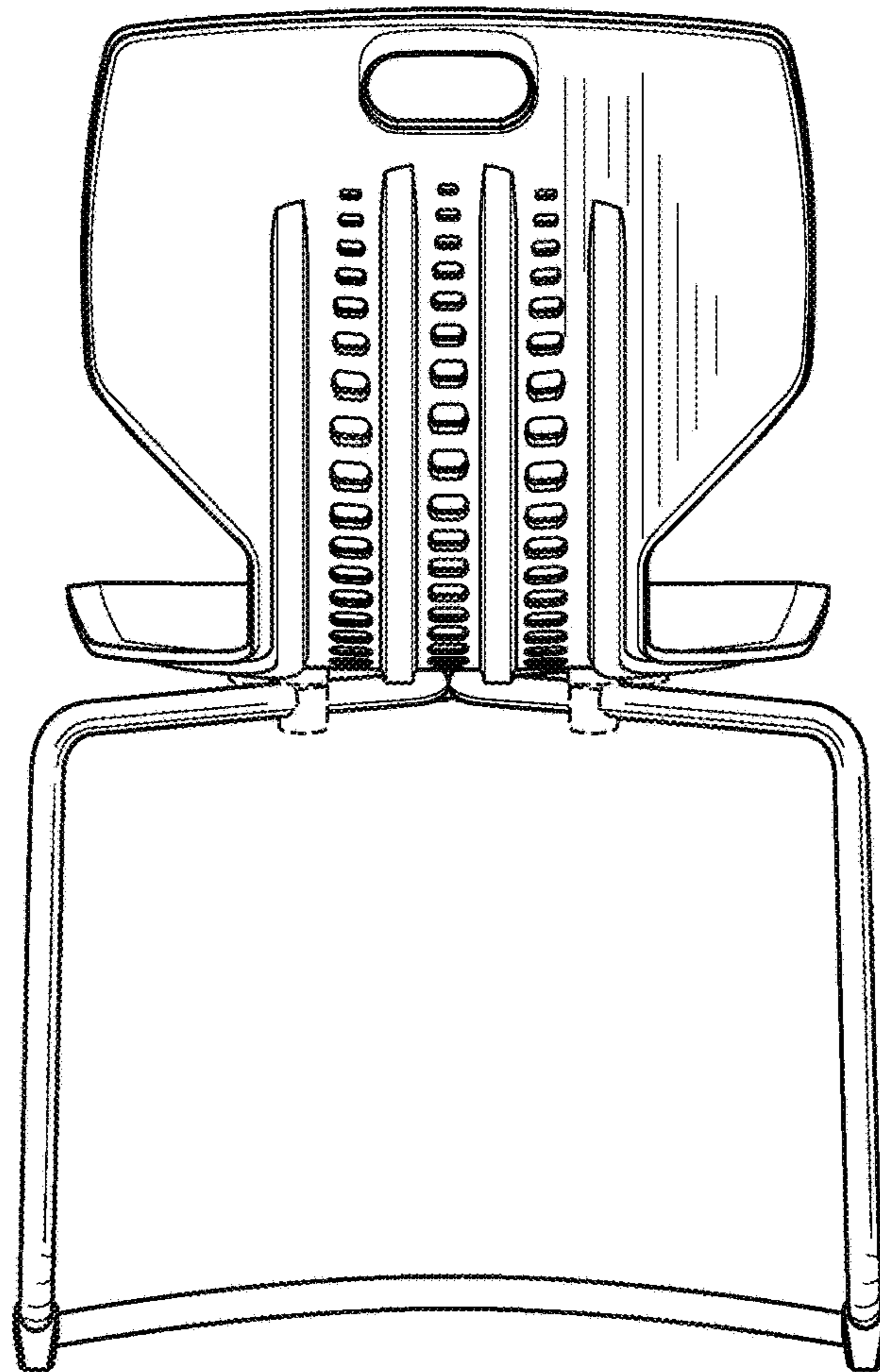


FIG. 3

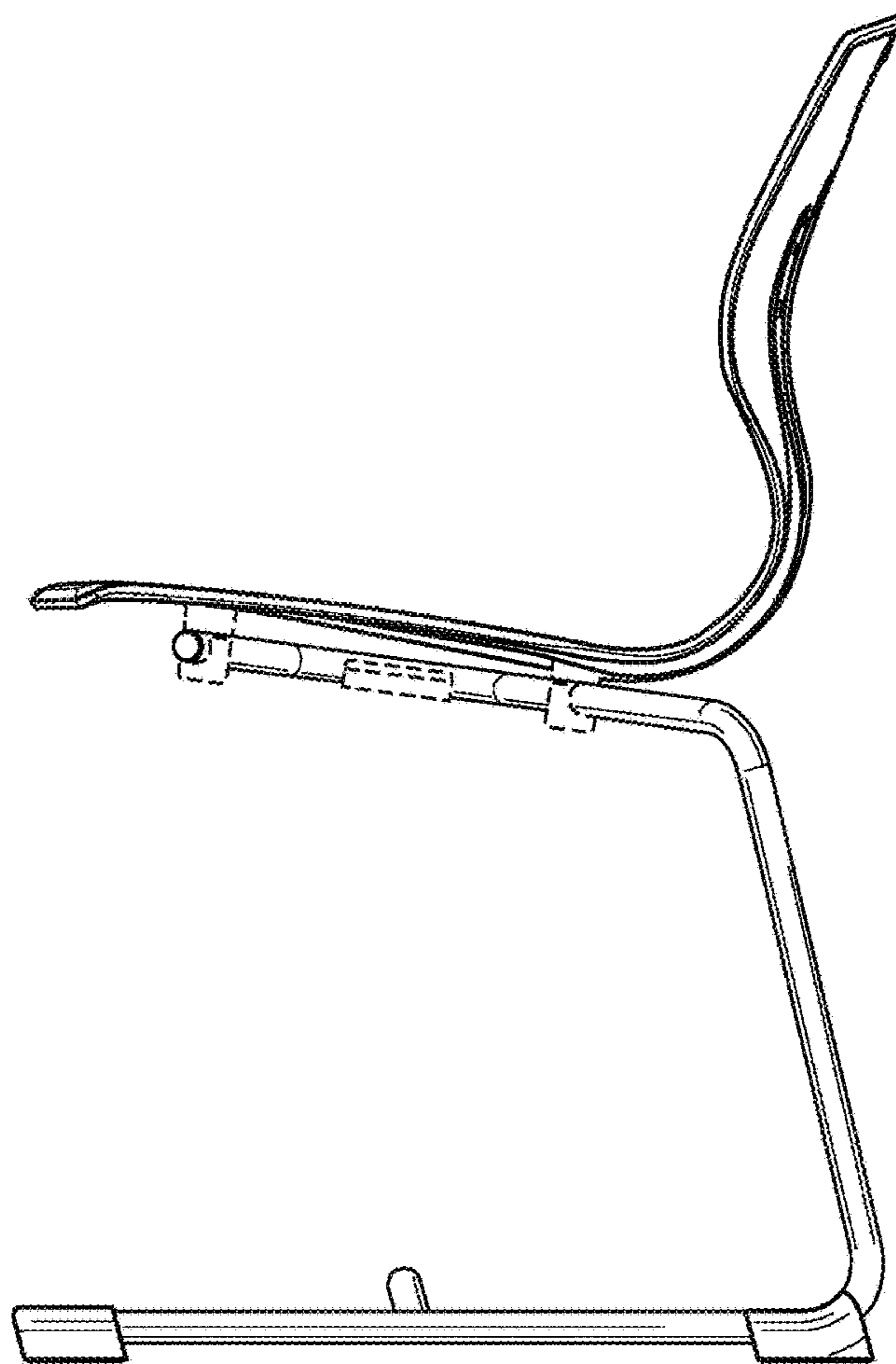


FIG. 4

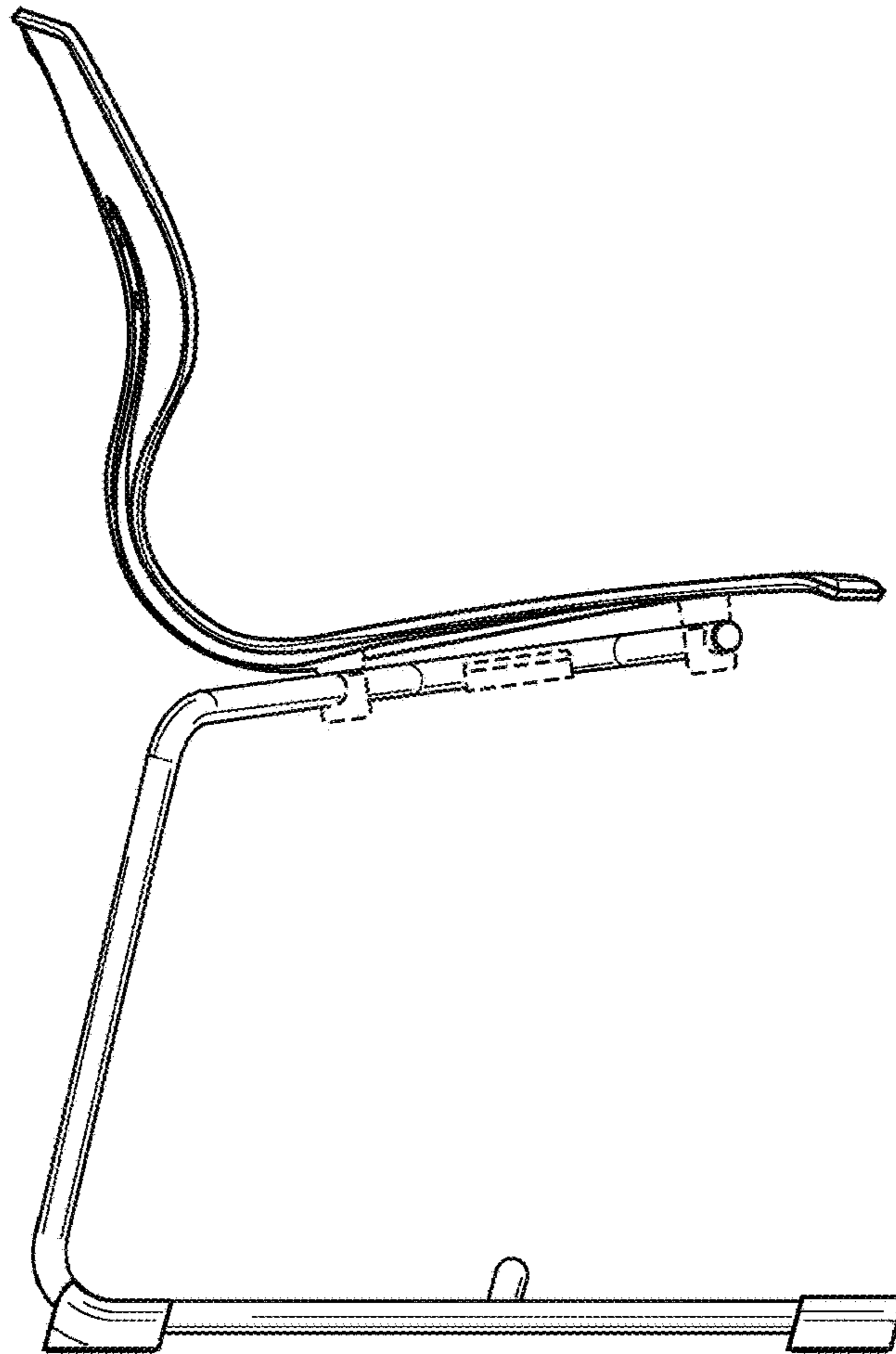


FIG. 5

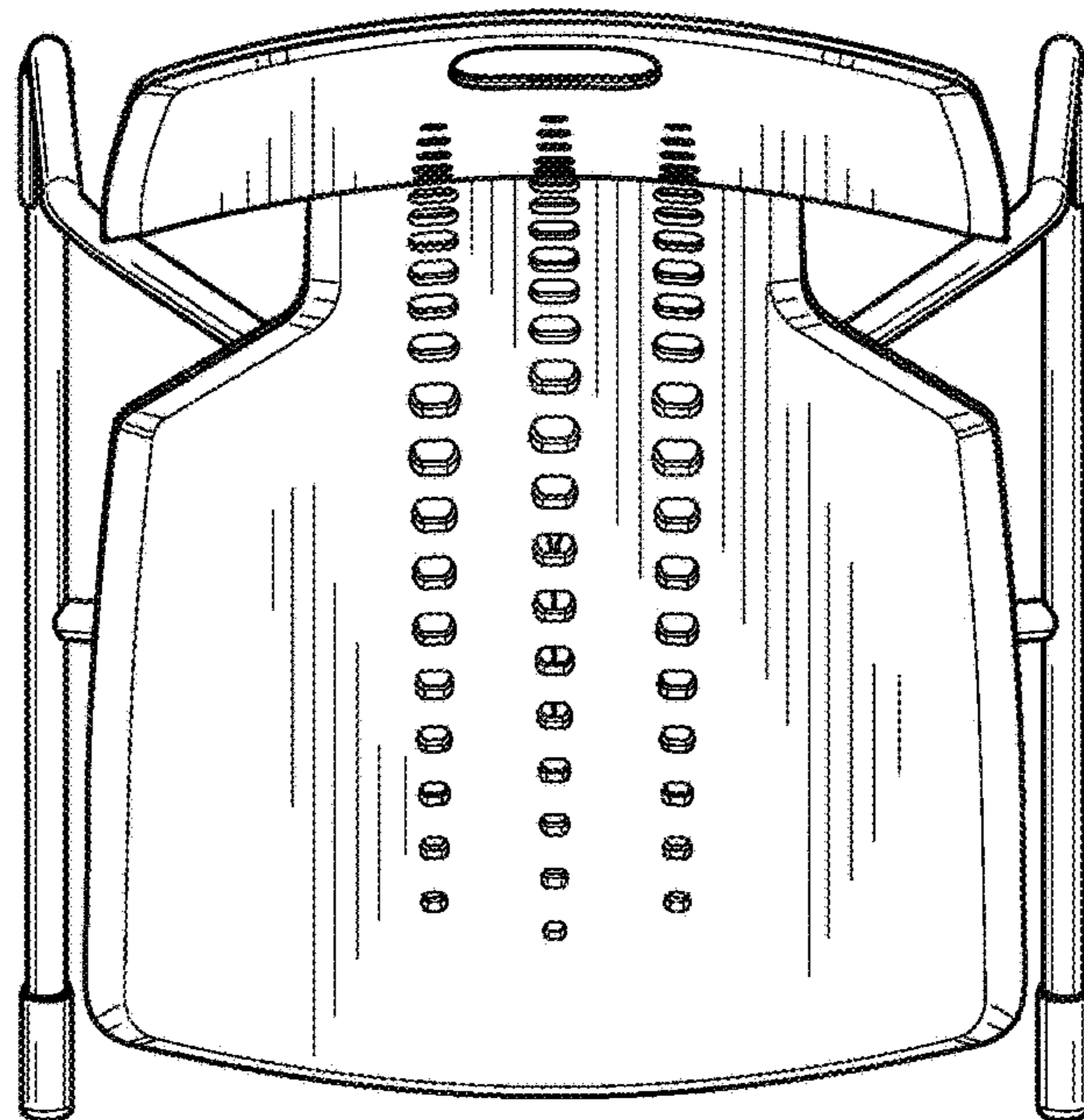


FIG. 6



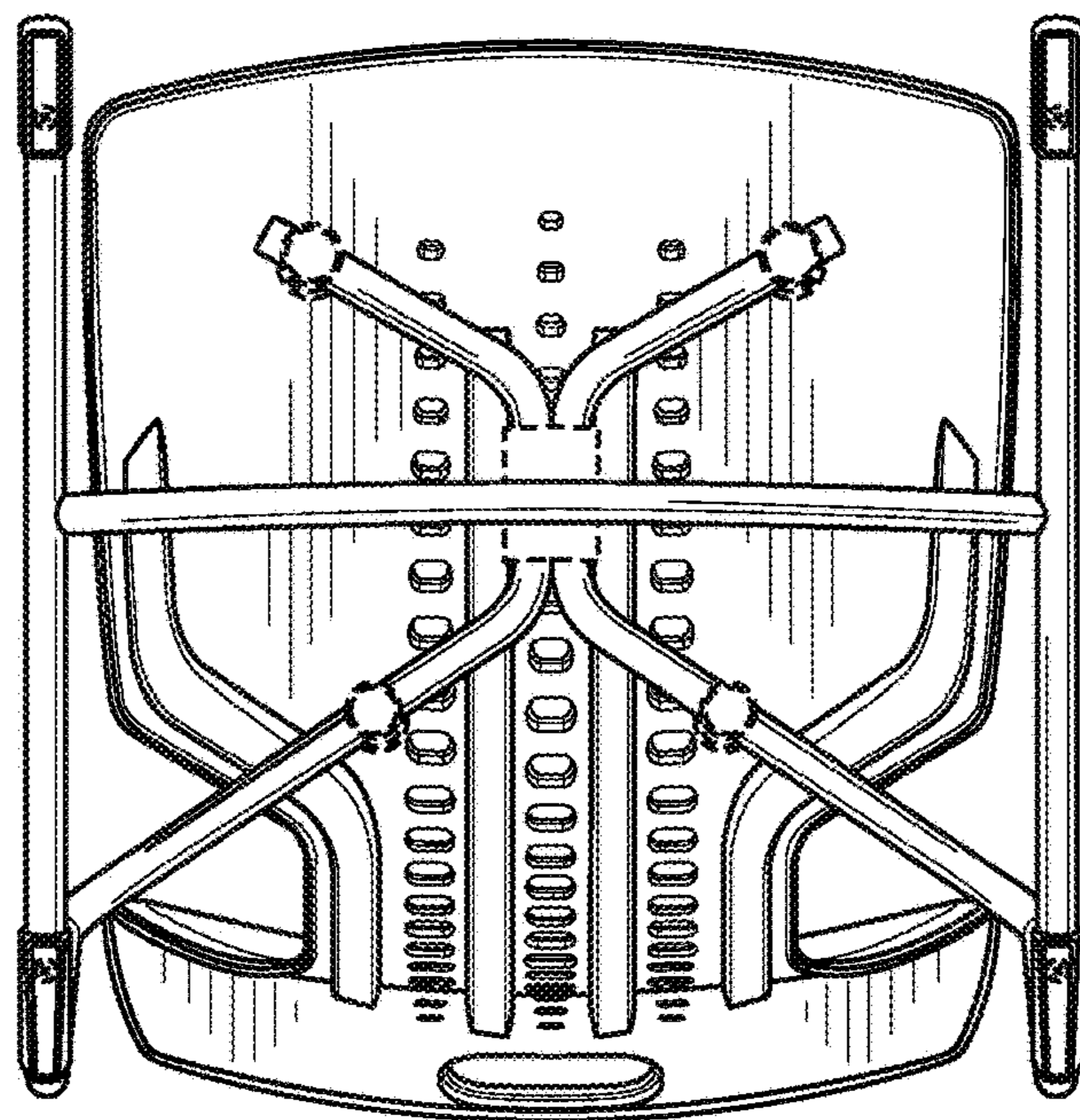


FIG. 7