



US00D840702S

(12) **United States Design Patent**
Ho et al.

(10) **Patent No.:** **US D840,702 S**

(45) **Date of Patent:** **** Feb. 19, 2019**

(54) **LOUNGE CHAIR**

(71) Applicant: **RH US, LLC**, Corte Madera, CA (US)

(72) Inventors: **Louis Ho**, Hong Kong (CN); **Rebecca Hill**, Tiburon, CA (US)

(73) Assignee: **RH US, LLC**, Corte Madera, CA (US)

(**) Term: **15 Years**

(21) Appl. No.: **29/634,336**

(22) Filed: **Jan. 19, 2018**

(51) **LOC (11) Cl.** **06-01**

(52) **U.S. Cl.**
USPC **D6/369; D6/364**

(58) **Field of Classification Search**
USPC D6/334-336, 364, 369, 371, 372, 373,
D6/374, 375, 716, 716.1, 716.4
CPC A47C 3/16; A47C 7/02; A47C 7/0213;
A47C 7/024; A47C 7/18; A47C 7/24
See application file for complete search history.

(56) **References Cited**

U.S. PATENT DOCUMENTS

D151,617 S * 11/1948 Feraud D6/369
D240,782 S * 8/1976 Olko D6/369
D243,571 S * 3/1977 Wisner D6/369

D320,892 S * 10/1991 Kinard D6/369
D412,408 S * 8/1999 Navone D6/369
D508,786 S * 8/2005 Natuzzi D6/364
D628,824 S * 12/2010 Vignelli D6/364
D746,608 S * 1/2016 Kirar D6/364
D764,202 S * 8/2016 Kirar D6/364
9,408,468 B2 * 8/2016 Goodman A47C 3/16
D799,228 S * 10/2017 Lewis D6/364

* cited by examiner

Primary Examiner — Mimosa De

(74) *Attorney, Agent, or Firm* — Lewis Roca Rothgerber
Christie LLP

(57) **CLAIM**

The ornamental design for a lounge chair, as shown and described.

DESCRIPTION

FIG. 1 is a front and right side perspective view of an exemplary lounge chair showing my new design;
FIG. 2 is a front elevation view thereof;
FIG. 3 is a right side elevation view thereof, the left side being a mirror image;
FIG. 4 is a top plan view thereof;
FIG. 5 is a rear elevation view thereof; and,
FIG. 6 is a close-up view of a weave pattern on the lounge chair, as viewed from a right side elevation view thereof.
The broken lines show environmental subject matter and form no part of the claimed design.

1 Claim, 6 Drawing Sheets

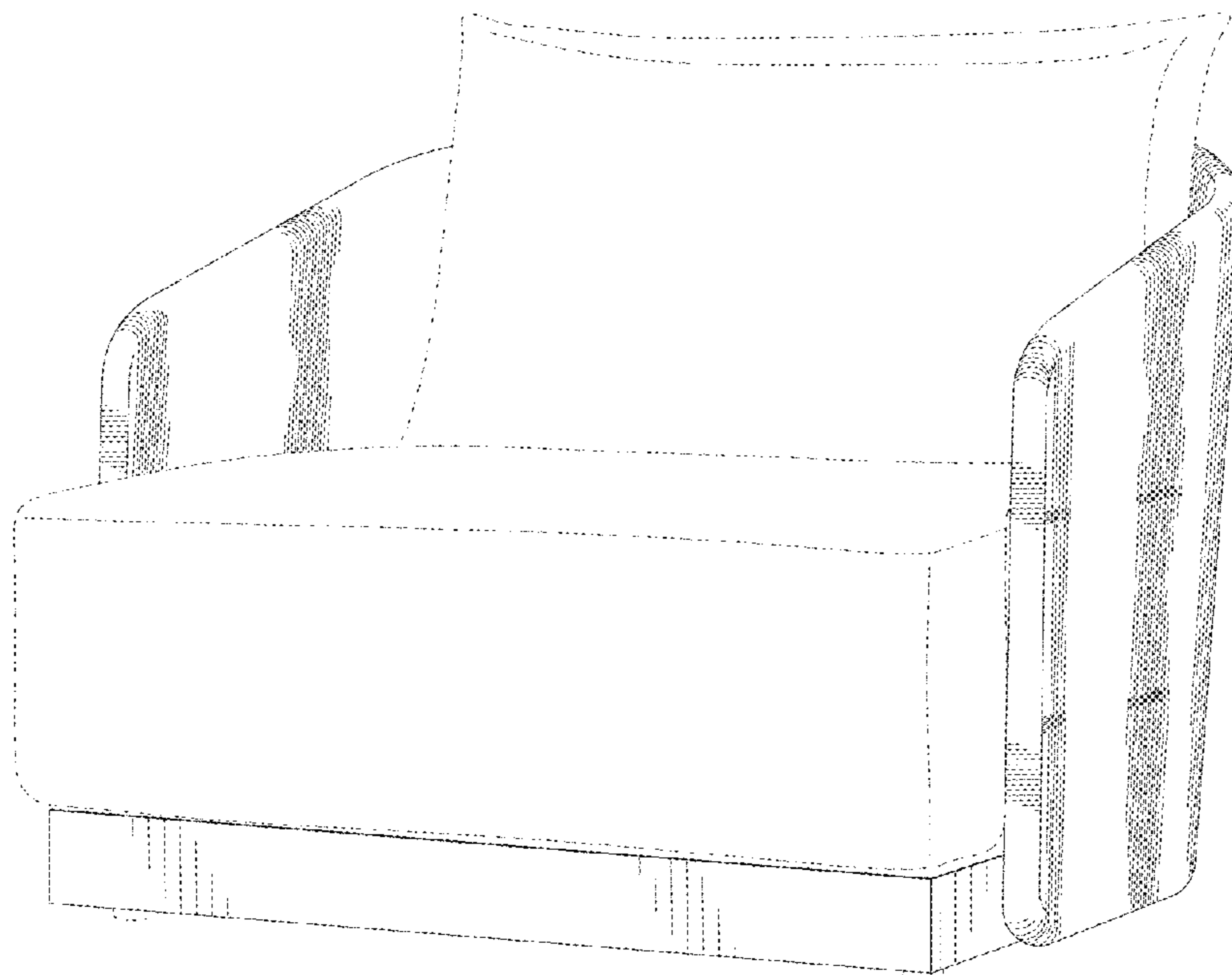
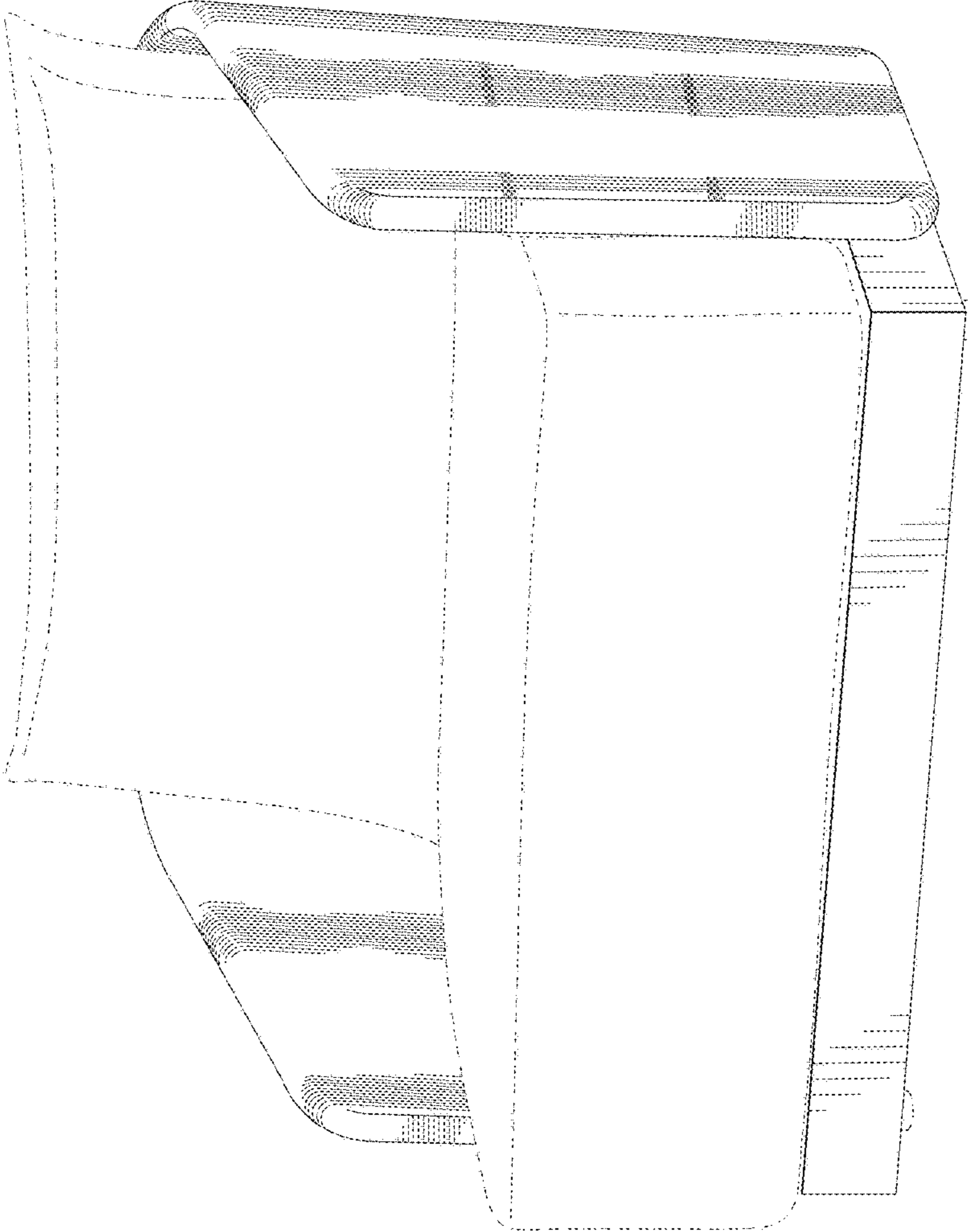


FIG. 1



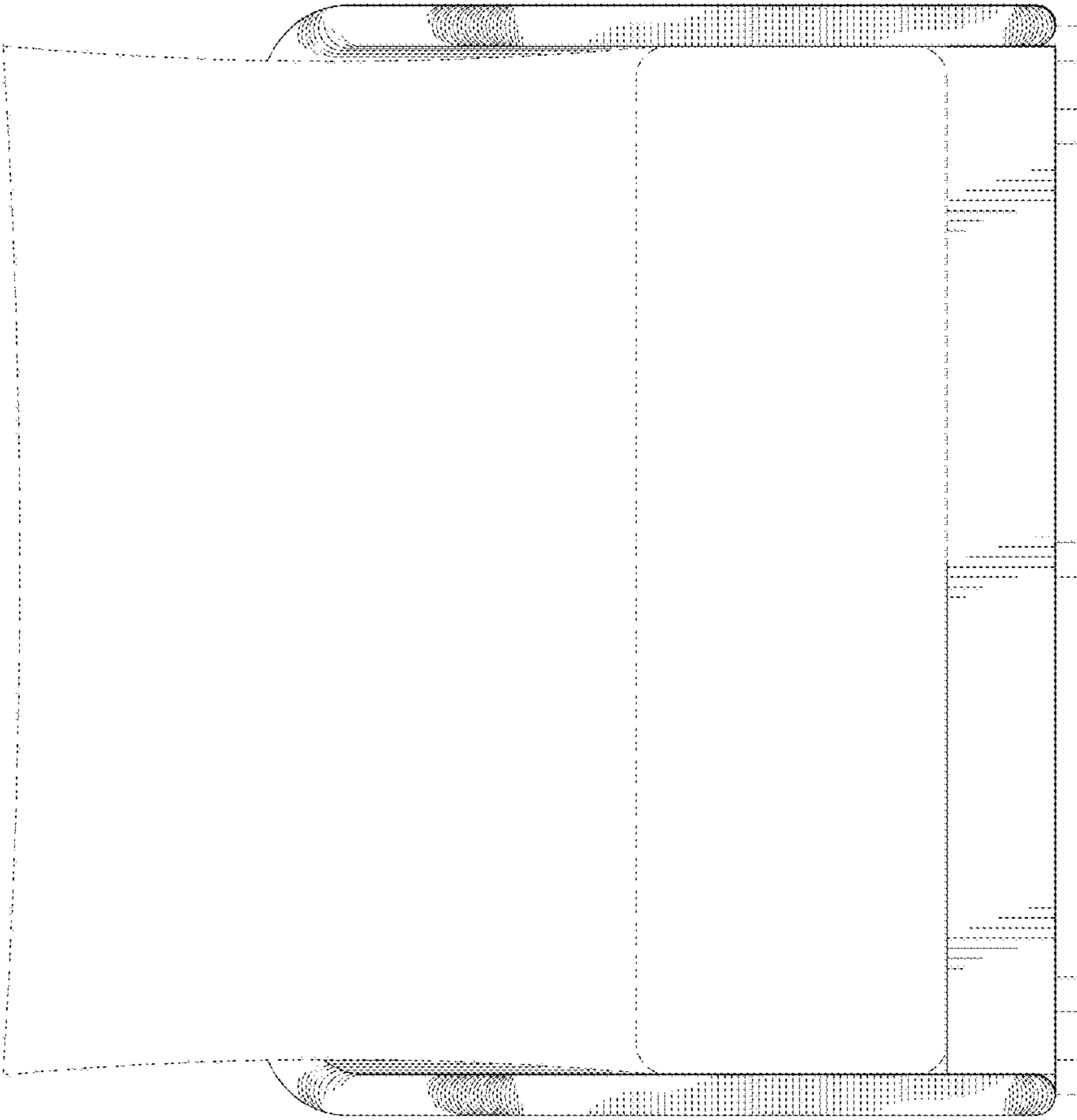


FIG. 2

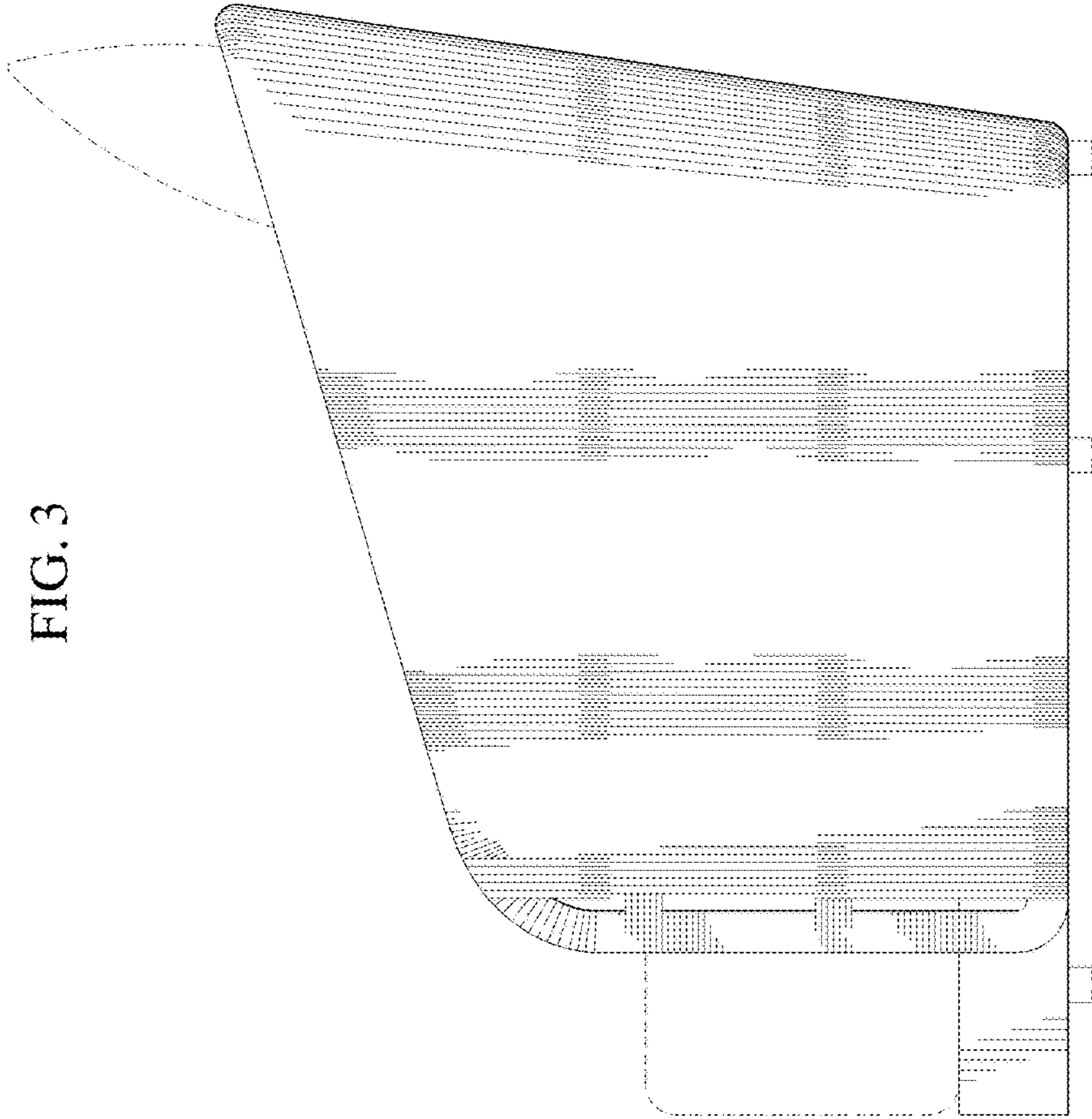


FIG. 3

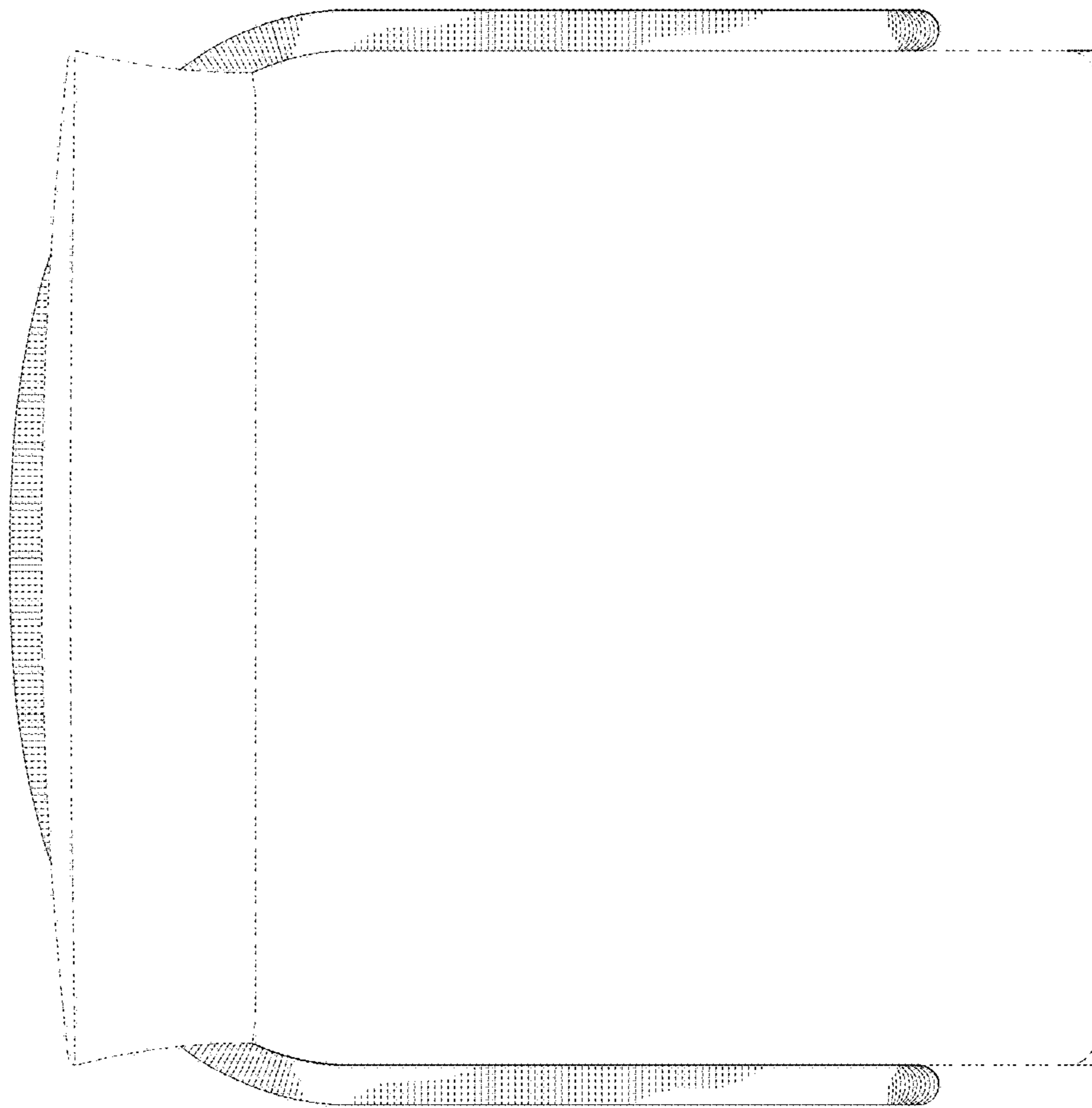


FIG. 4

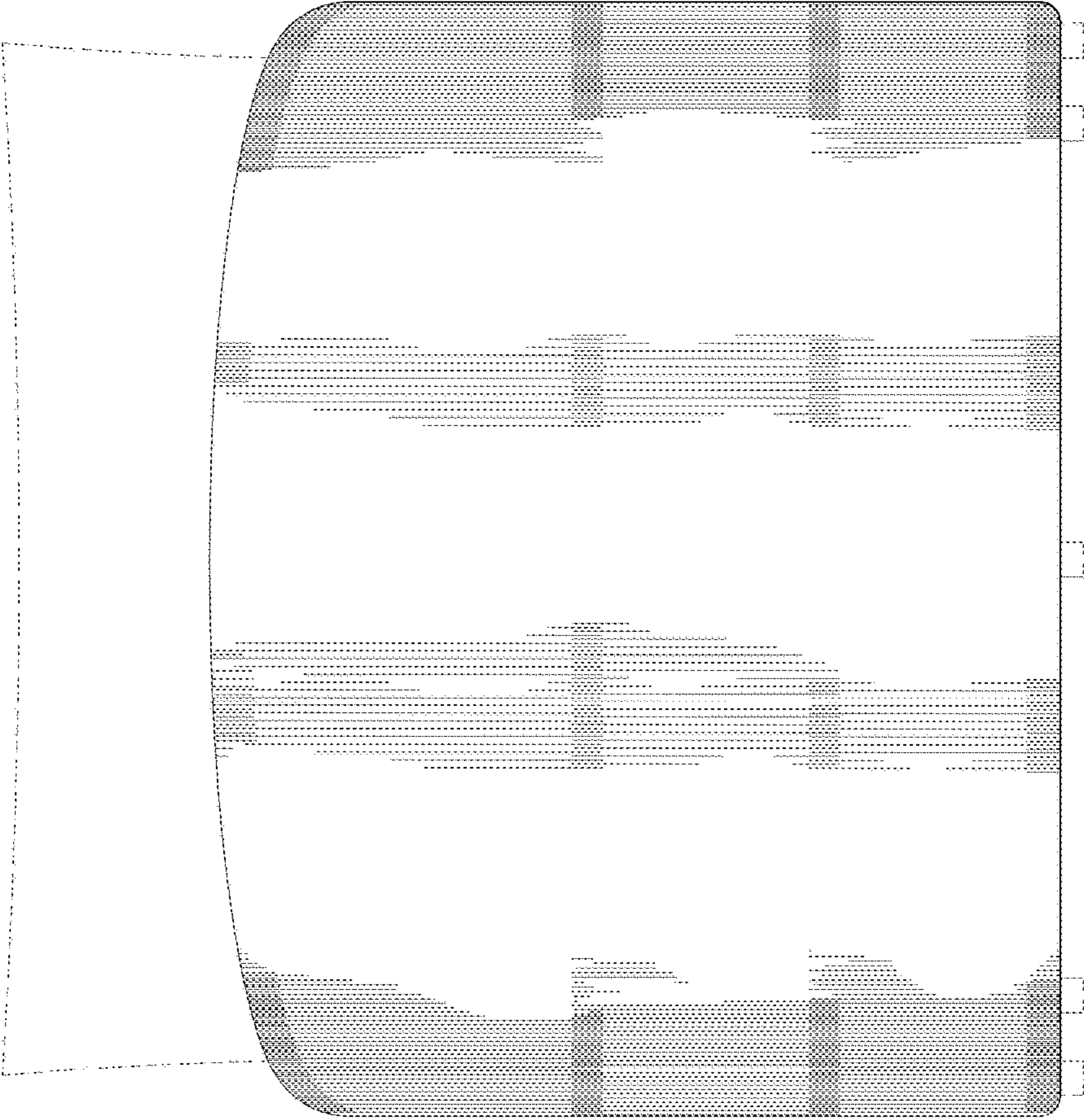


FIG. 5

FIG. 6

