



US00D840700S

(12) **United States Design Patent**  
**Gyllang**

(10) **Patent No.:** **US D840,700 S**

(45) **Date of Patent:** **\*\* Feb. 19, 2019**

(54) **SEATING UNIT**

(71) Applicant: **KINNARPS AB**, Kinnarp (SE)

(72) Inventor: **Olle Gyllang**, Stockholm (SE)

(\*\*) Term: **15 Years**

(21) Appl. No.: **35/502,027**

(22) Filed: **Jul. 20, 2016**

(80) **Hague Agreement Data**

Int. Filing Date: **Jul. 20, 2016**

Int. Reg. No.: **DM/093572**

Int. Reg. Date: **Jul. 20, 2016**

Int. Reg. Pub. Date: **Dec. 2, 2016**

(30) **Foreign Application Priority Data**

Feb. 1, 2016 (EM) ..... 002967307

(51) **LOC (11) Cl.** ..... **06-01**

(52) **U.S. Cl.**  
USPC ..... **D6/335; D6/381**

(58) **Field of Classification Search**

USPC ..... D6/329, 332, 334, 335, 372, 373, 381  
CPC .. A47C 3/00; A47C 4/024; A47C 7/00; A47C  
7/02; A47C 7/16; A47C 7/40; A47G 5/00;  
G03B 21/58

See application file for complete search history.

(56) **References Cited**

**U.S. PATENT DOCUMENTS**

2,887,154 A \* 5/1959 Morningstar ..... A47G 5/00  
126/299 C

3,799,611 A \* 3/1974 Steinfeld ..... A47C 4/024  
297/440.23

(Continued)

*Primary Examiner* — Mary Ann Calabrese

(74) *Attorney, Agent, or Firm* — Bachman & LaPointe,  
PC

(57) **CLAIM**

The ornamental design for a seating unit, as shown and described.

**DESCRIPTION**

FIG. 6.1 is a front perspective view of the seating unit according to the inventive design;

FIG. 6.2 is a front view of the seating unit of FIG. 6.1;

FIG. 6.3 is a side view of the seating unit of FIG. 6.1;

FIG. 6.4 is a rear view of the seating unit of FIG. 6.1;

FIG. 6.5 is a top view of the seating unit of FIG. 6.1;

FIG. 7.1 is a front perspective view of the seating unit according to the inventive design;

FIG. 7.2 is a front view of the seating unit of FIG. 7.1;

FIG. 7.3 is a side view of the seating unit of FIG. 7.1;

FIG. 7.4 is a rear view of the seating unit of FIG. 7.1;

FIG. 7.5 is a top view of the seating unit of FIG. 7.1;

FIG. 8.1 is a front perspective view of the seating unit according to the inventive design;

FIG. 8.2 is a front view of the seating unit of FIG. 8.1;

FIG. 8.3 is a side view of the seating unit of FIG. 8.1;

FIG. 8.4 is a rear view of the seating unit of FIG. 8.1;

FIG. 8.5 is a top view of the seating unit of FIG. 8.1;

FIG. 9.1 is a front perspective view of the seating unit according to the inventive design;

FIG. 9.2 is a front view of the seating unit of FIG. 9.1;

FIG. 9.3 is a rear view of the seating unit of FIG. 9.1;

FIG. 9.4 is a side view of the seating unit of FIG. 9.1;

FIG. 10.1 is a front perspective view of the seating unit according to the inventive design;

FIG. 10.2 is a side view of the seating unit of FIG. 10.1;

FIG. 10.3 is a rear view of the seating unit of FIG. 10.1;

FIG. 10.4 is a top view of the seating unit of FIG. 10.1;

FIG. 11.1 is a front perspective view of the seating unit according to the inventive design;

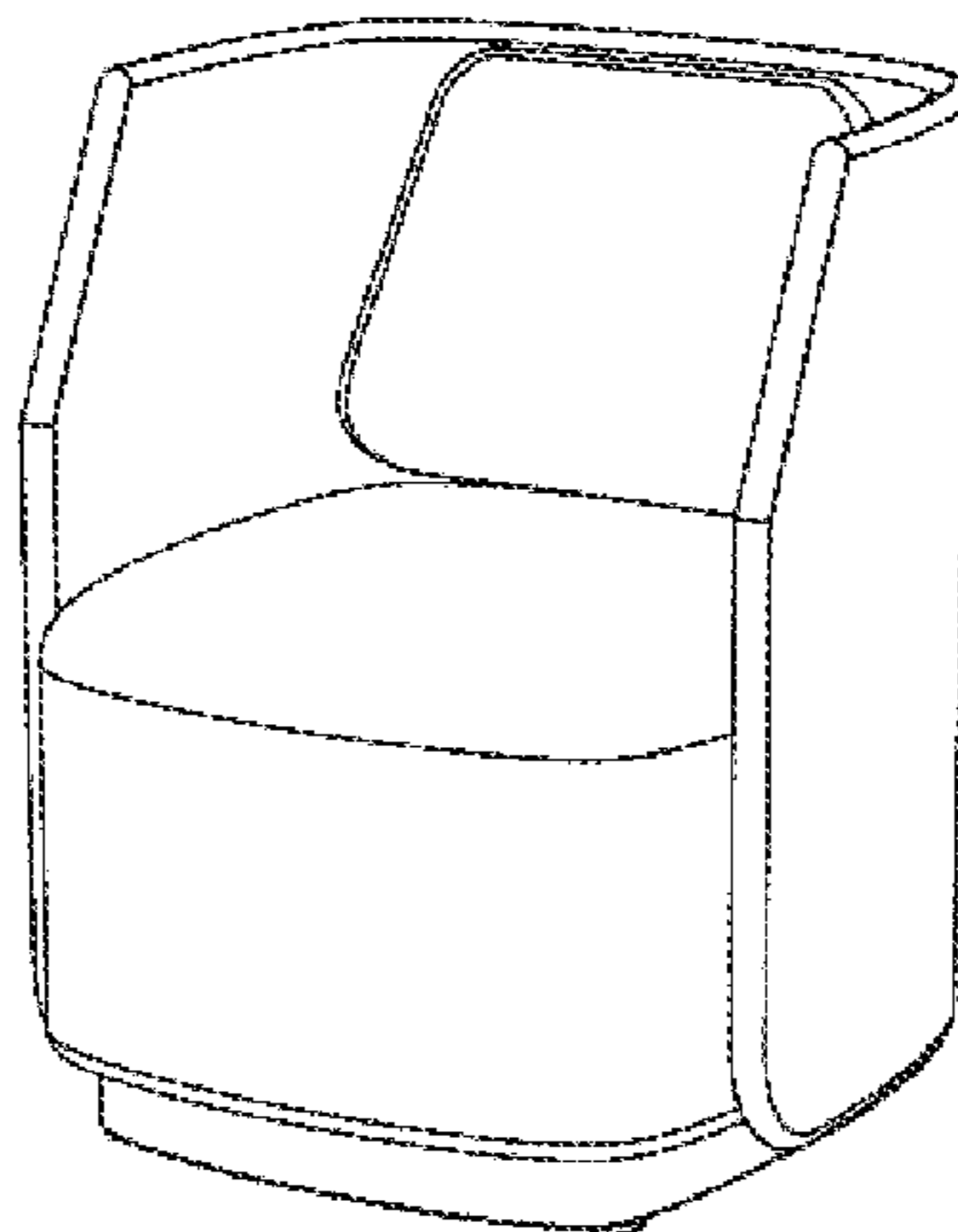
FIG. 11.2 is a front view of the seating unit of FIG. 11.1;

FIG. 11.3 is a side view of the seating unit of FIG. 11.1; and

FIG. 11.4 is a rear view of the seating unit of FIG. 11.1.

The broken line portions of the drawings form no part of the claimed design.

**1 Claim, 27 Drawing Sheets**



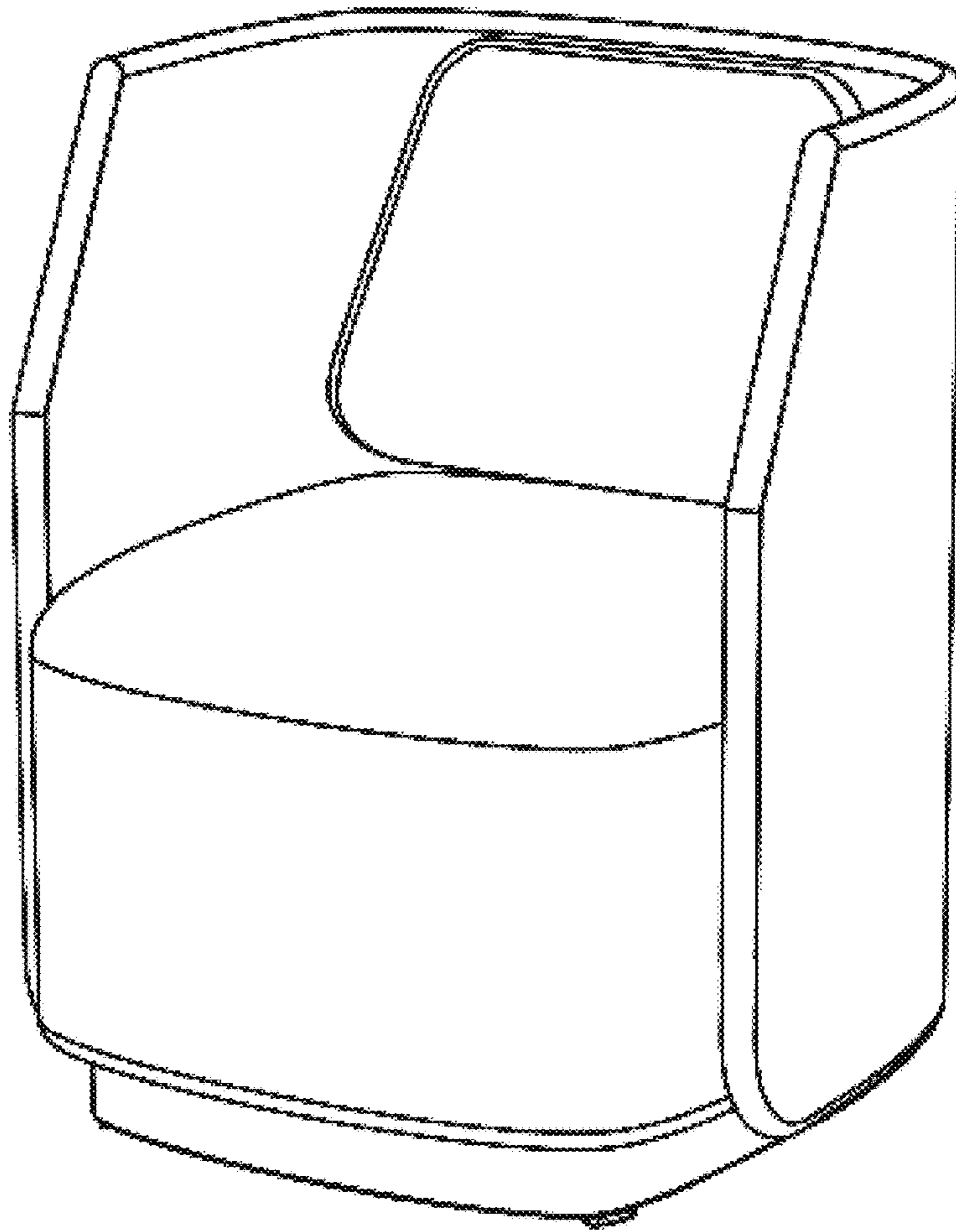
(56)

**References Cited**

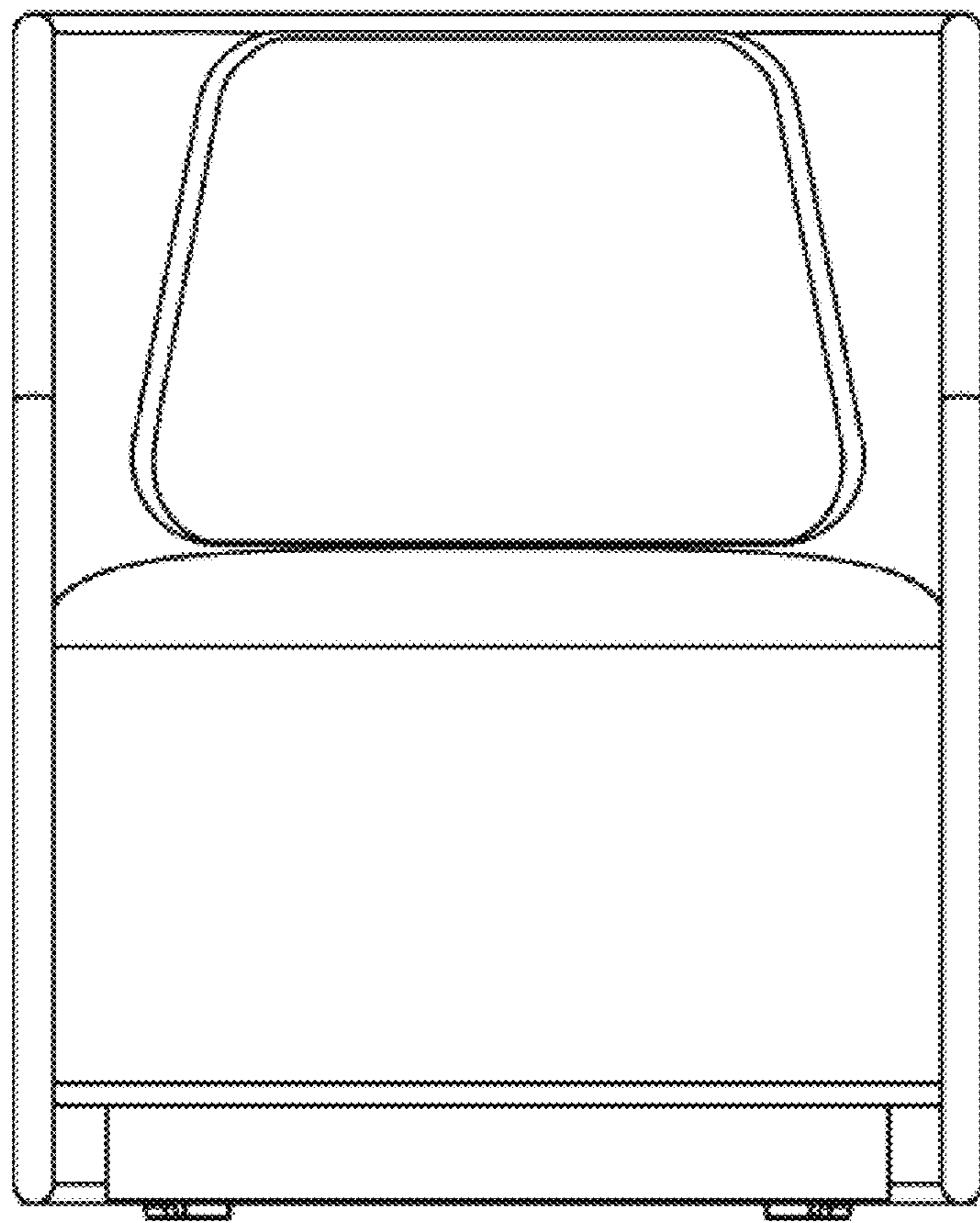
U.S. PATENT DOCUMENTS

4,250,676 A \* 2/1981 Presby ..... A47G 5/00  
160/135  
D680,762 S \* 4/2013 Nagata ..... D6/335  
D699,954 S \* 2/2014 Hidalgo ..... D6/335  
D740,039 S \* 10/2015 Bouroullec ..... D6/335  
D758,777 S \* 6/2016 McKenna ..... D6/717  
D766,607 S \* 9/2016 Dorigo ..... D6/373  
D766,608 S \* 9/2016 Dorigo ..... D6/373  
D787,206 S \* 5/2017 Webb ..... D6/335  
D805,310 S \* 12/2017 Grcic ..... D6/335  
D807,655 S \* 1/2018 Webb ..... D6/335  
2016/0245005 A1 \* 8/2016 Tsuchiyama ..... E04B 2/7409

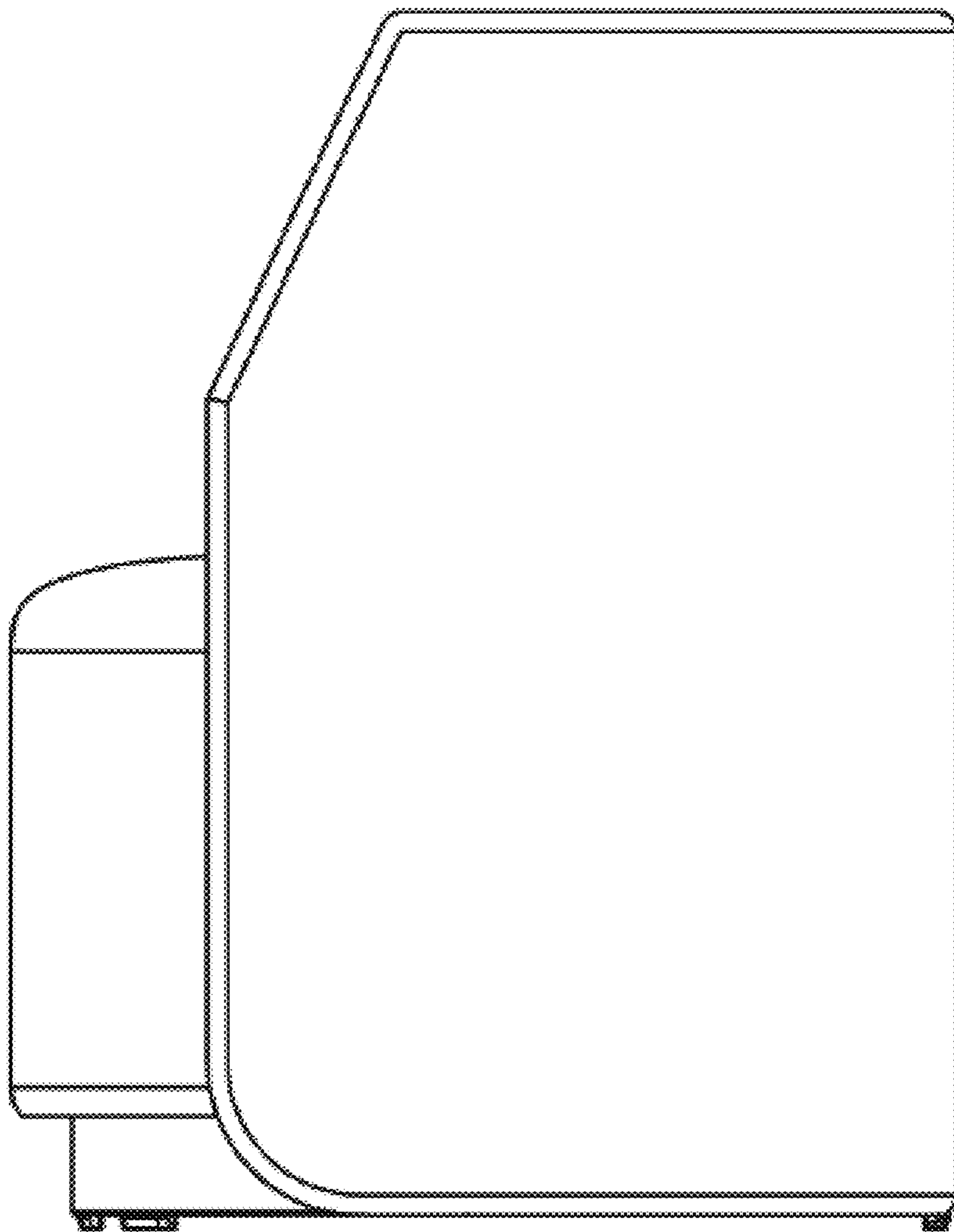
\* cited by examiner



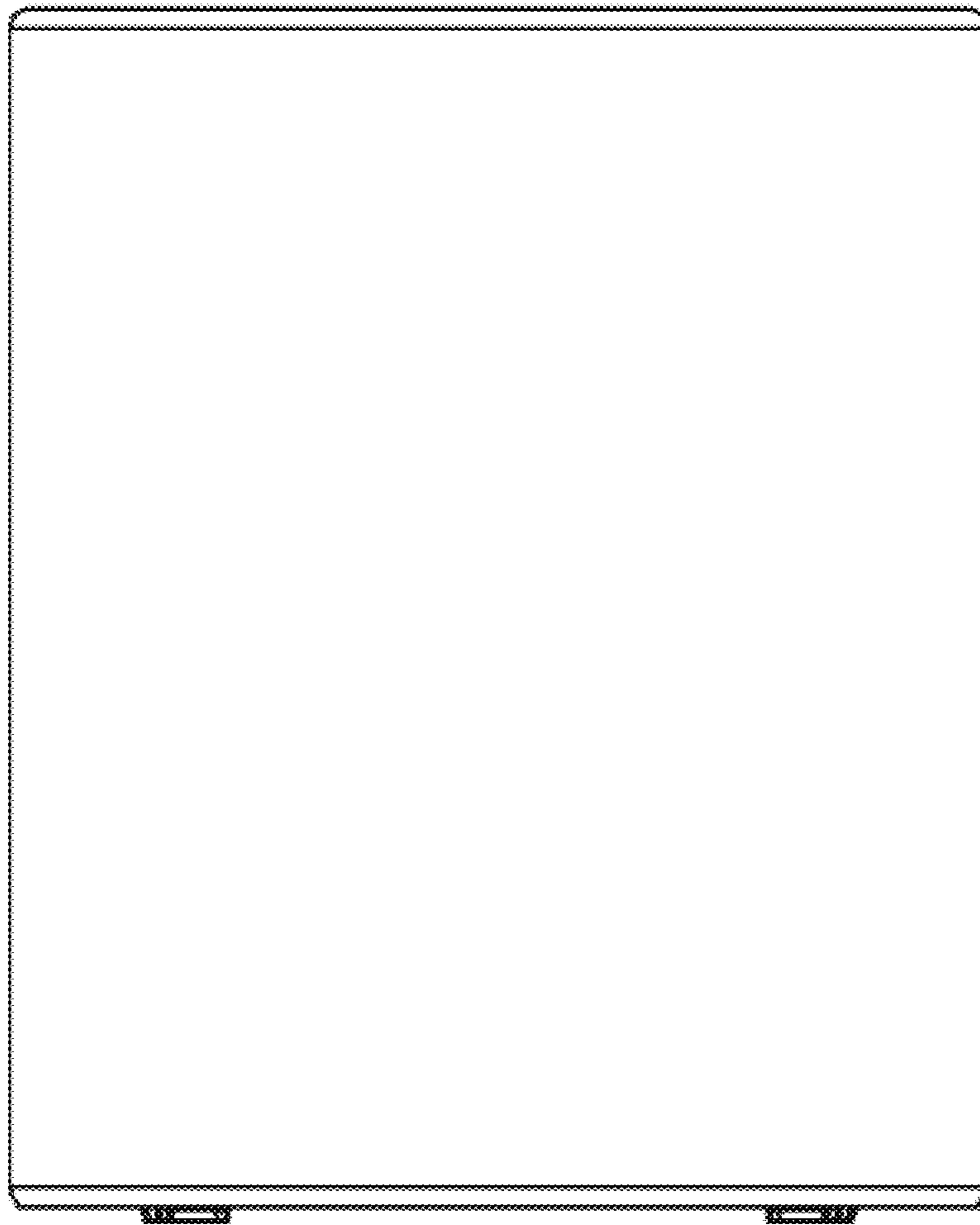
6.1



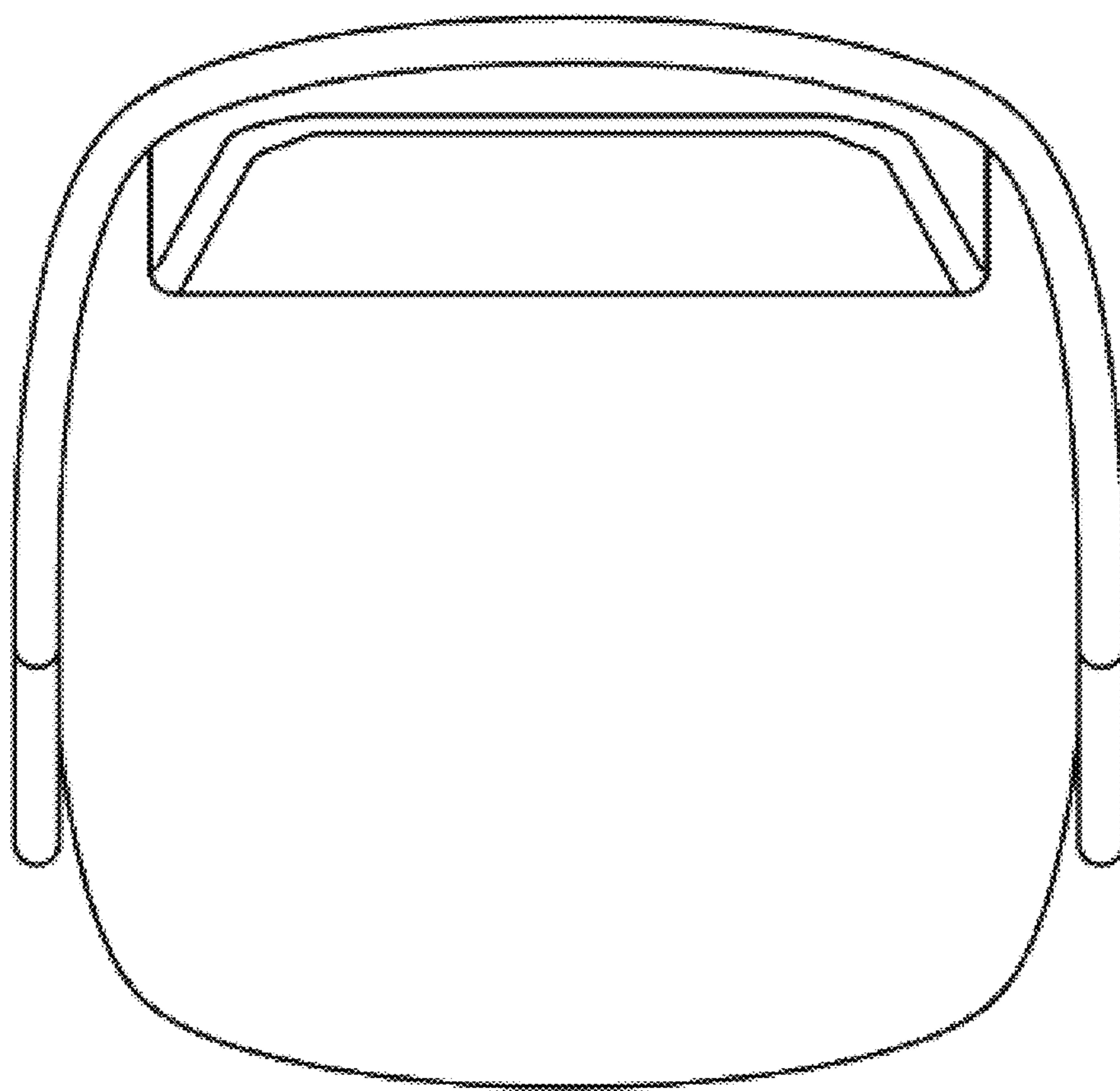
6.2



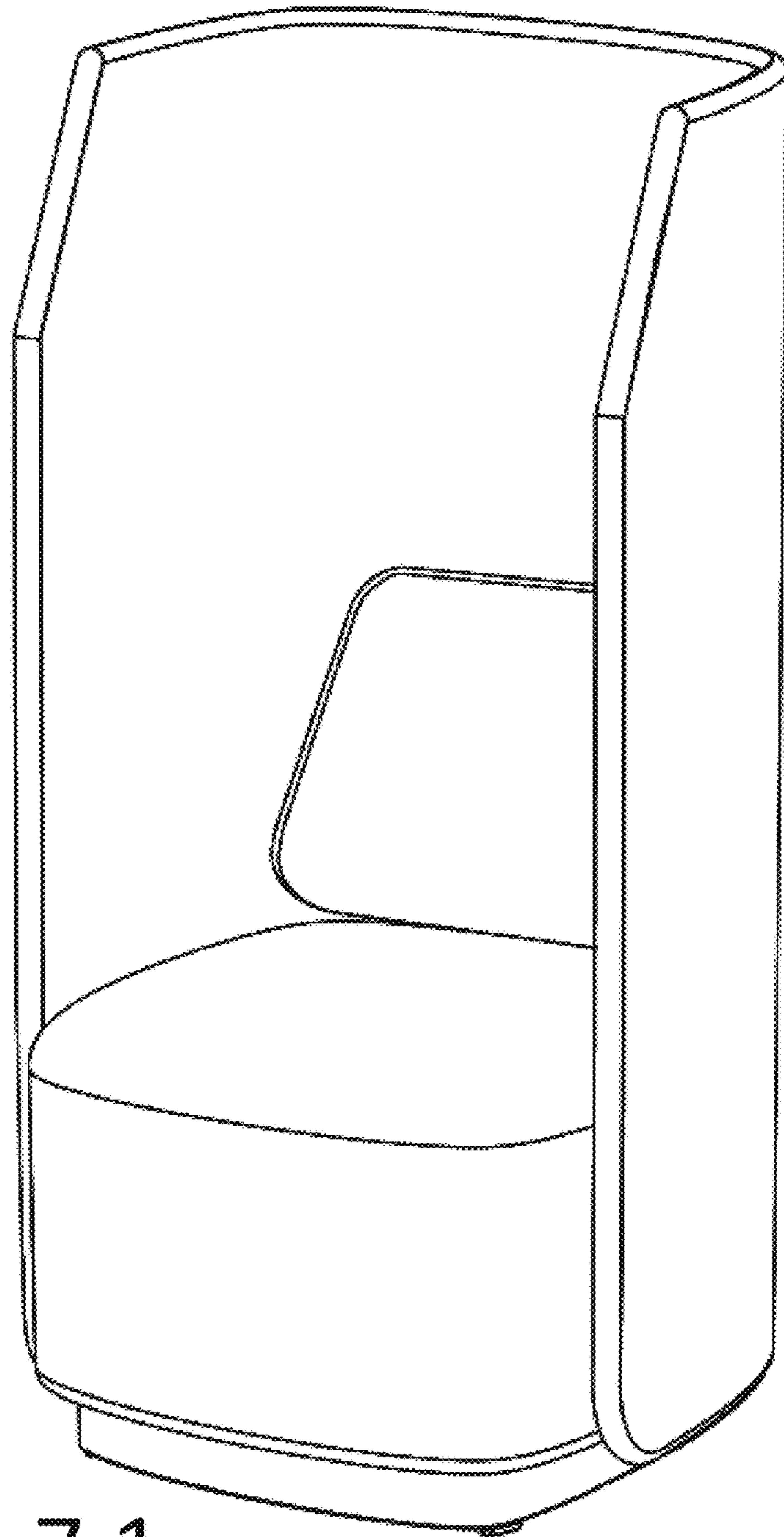
6.3



6.4

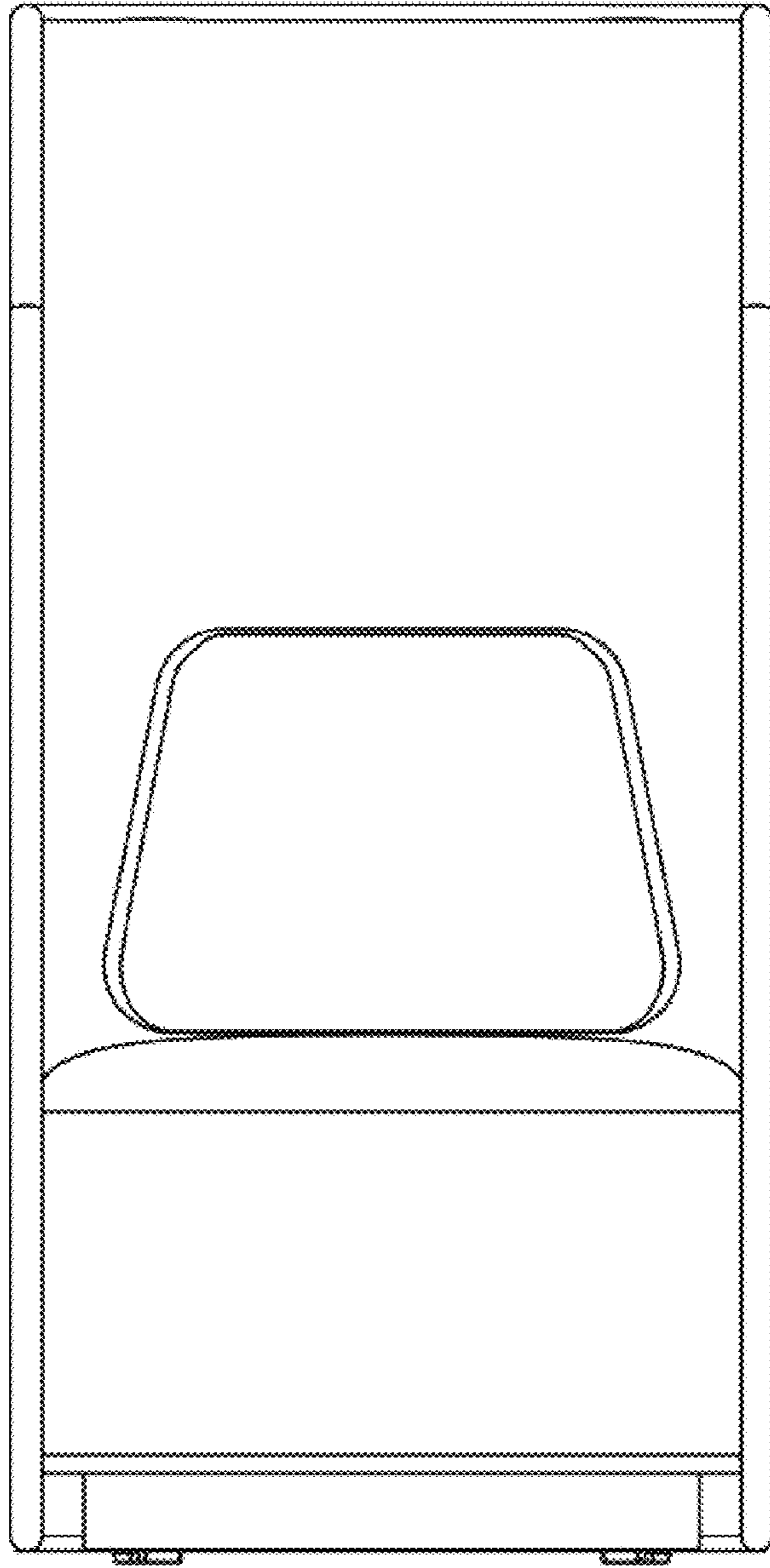


6.5

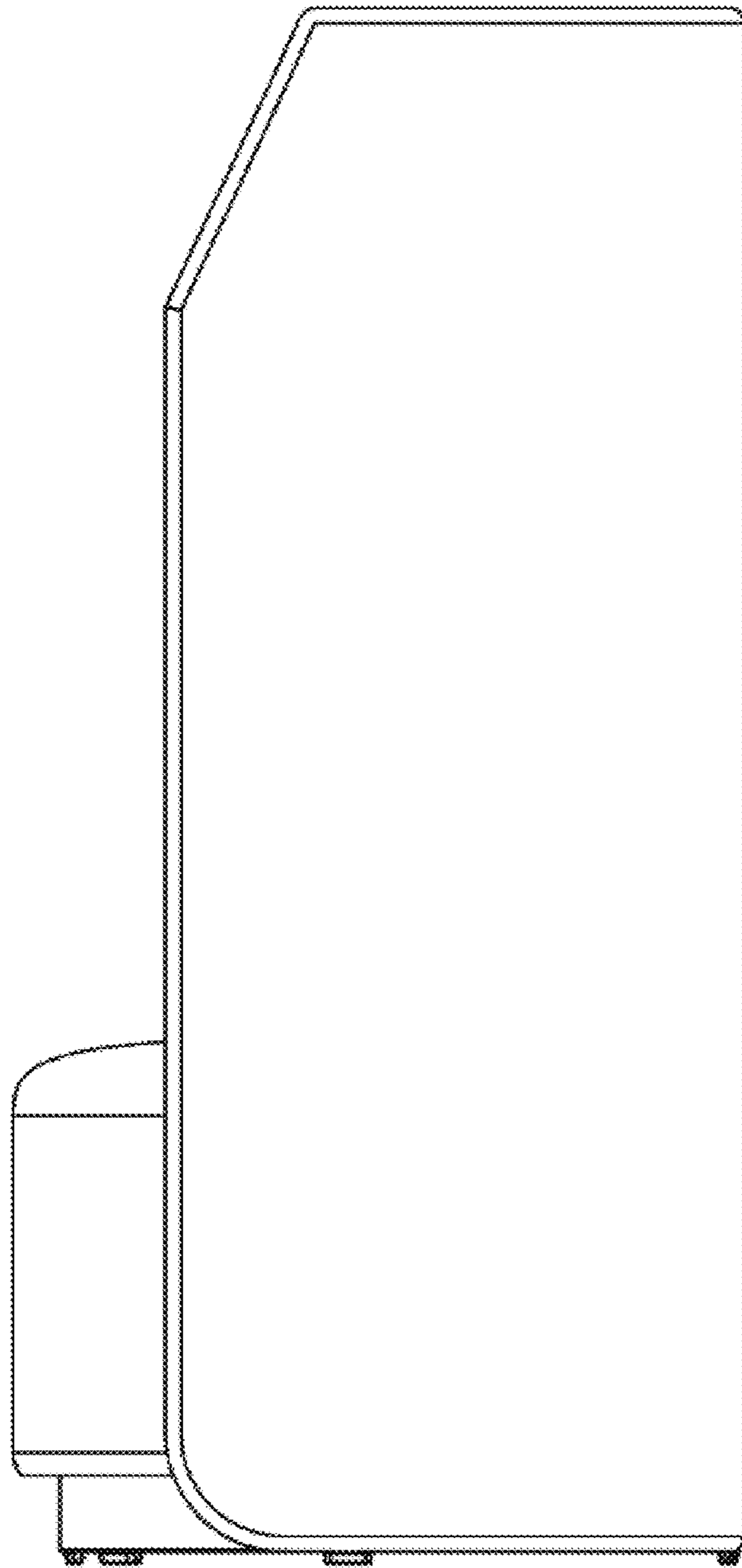


7.1



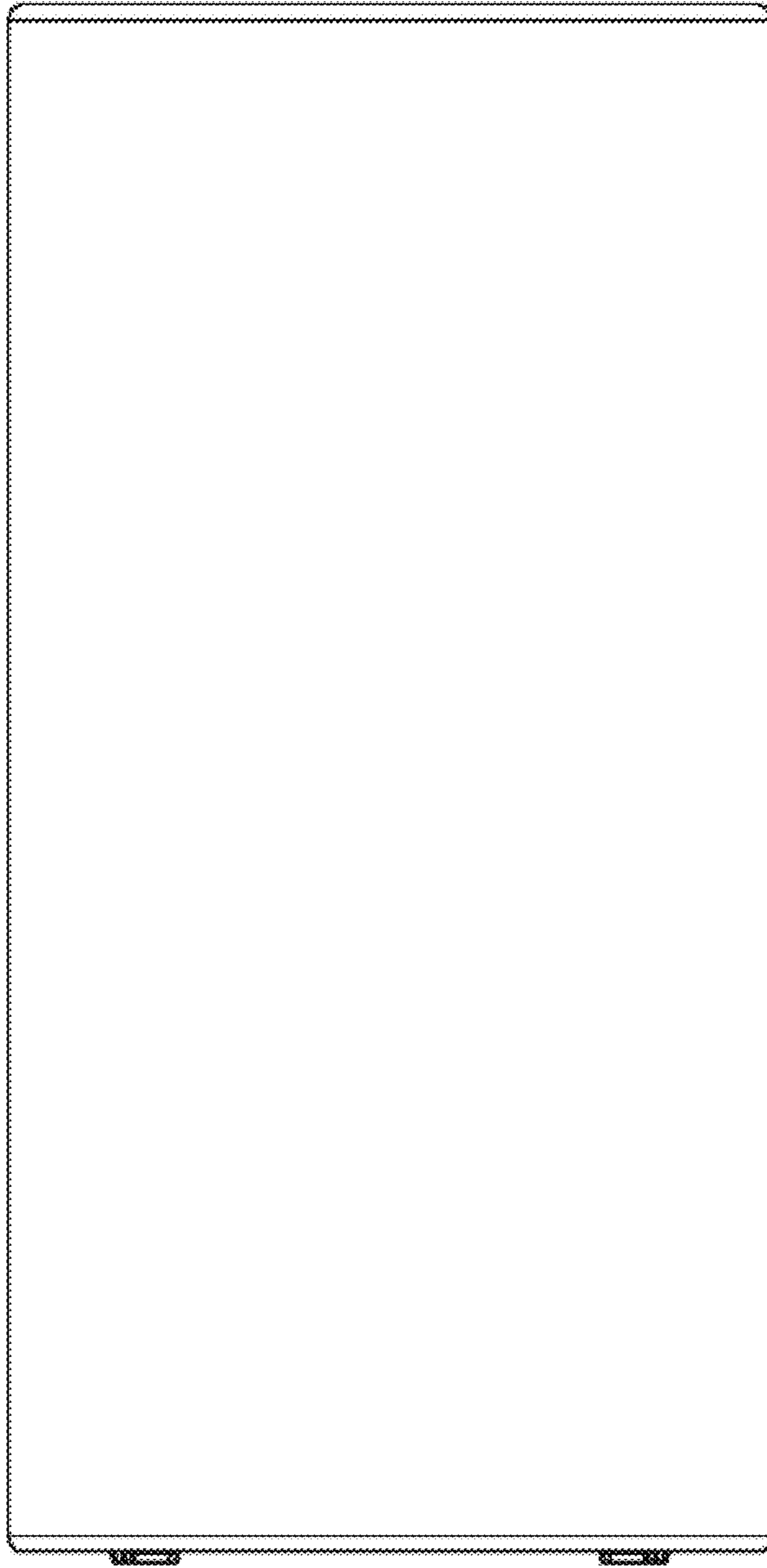


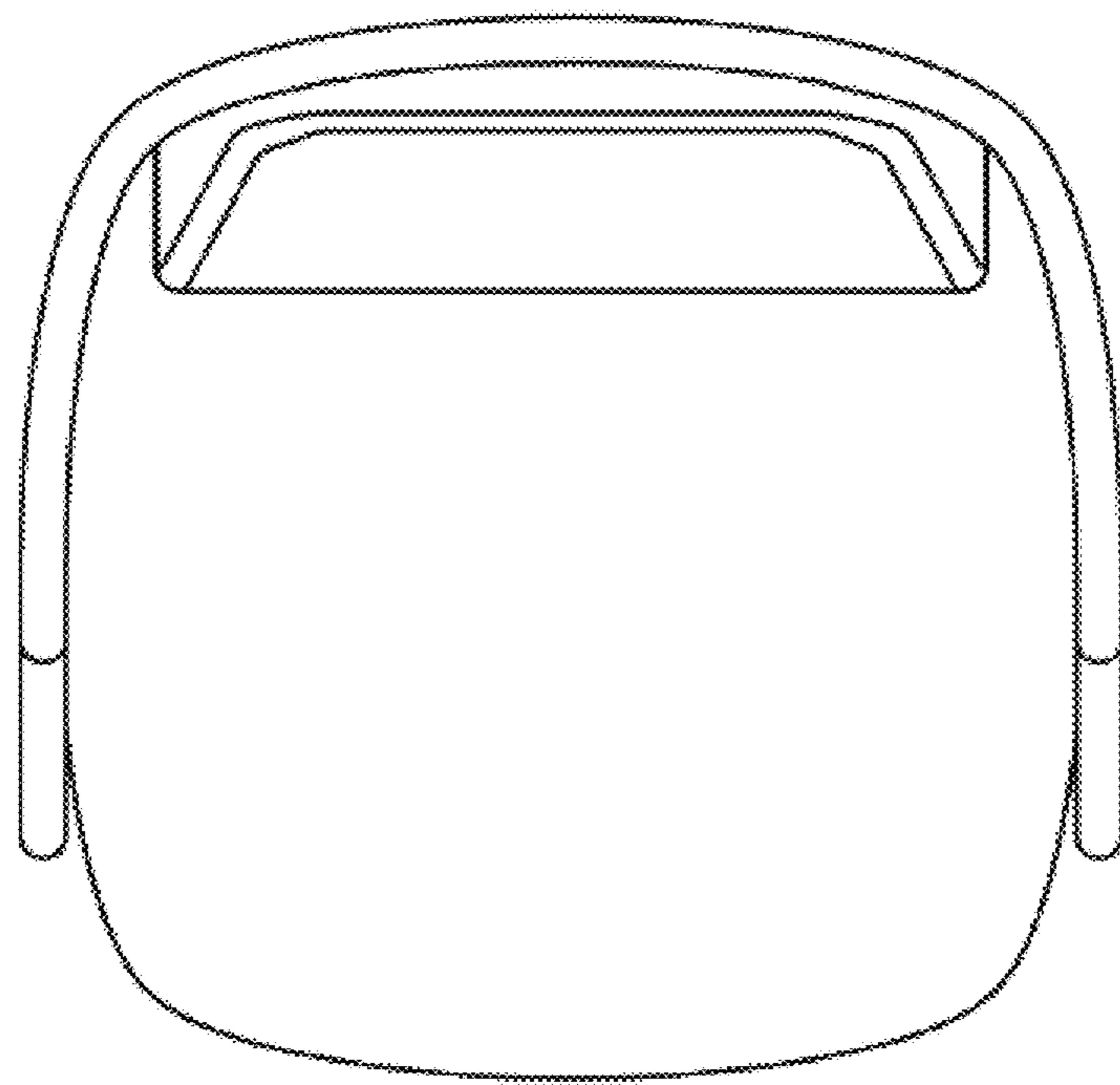
7.2



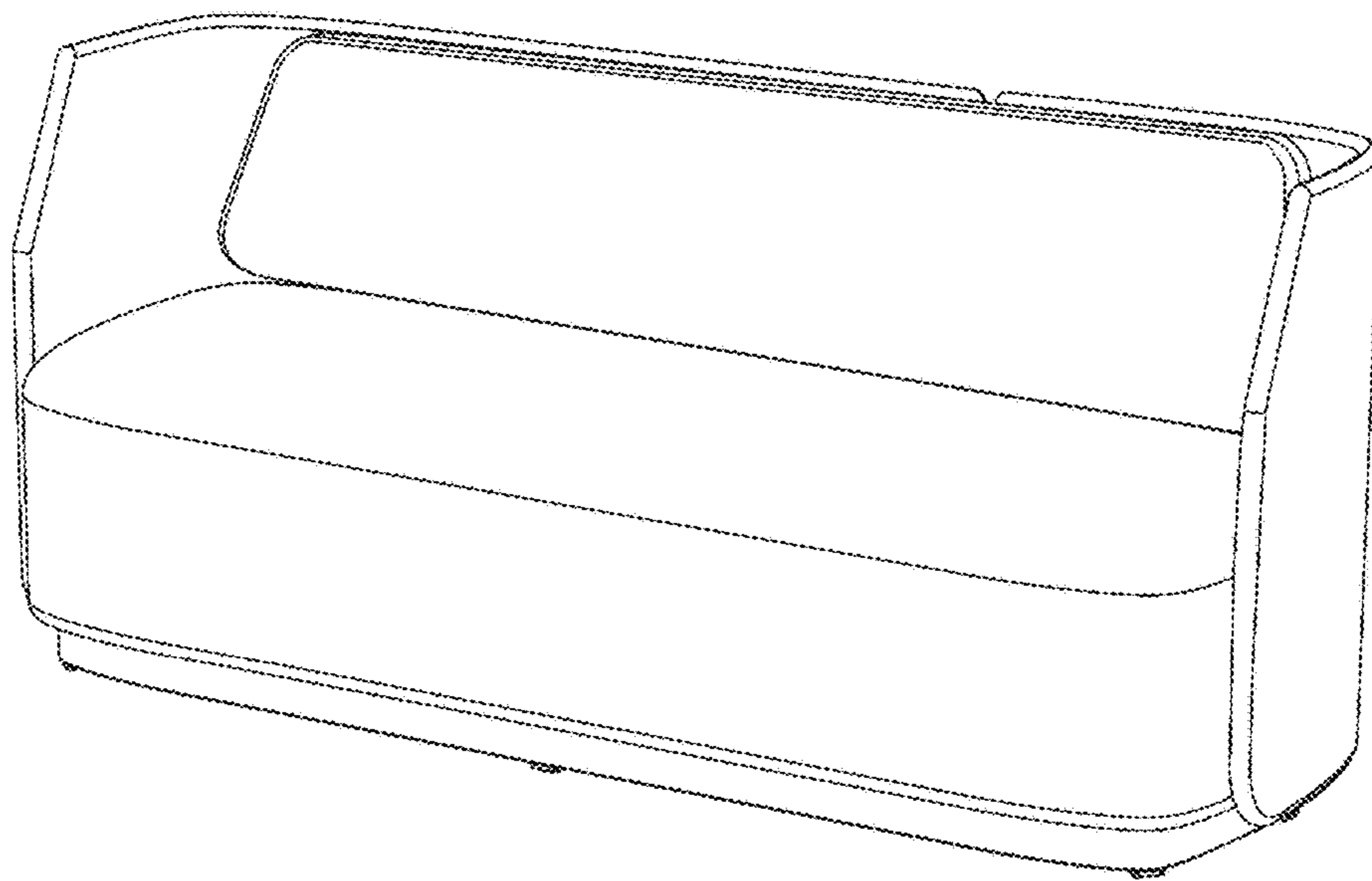
7.3

7.4

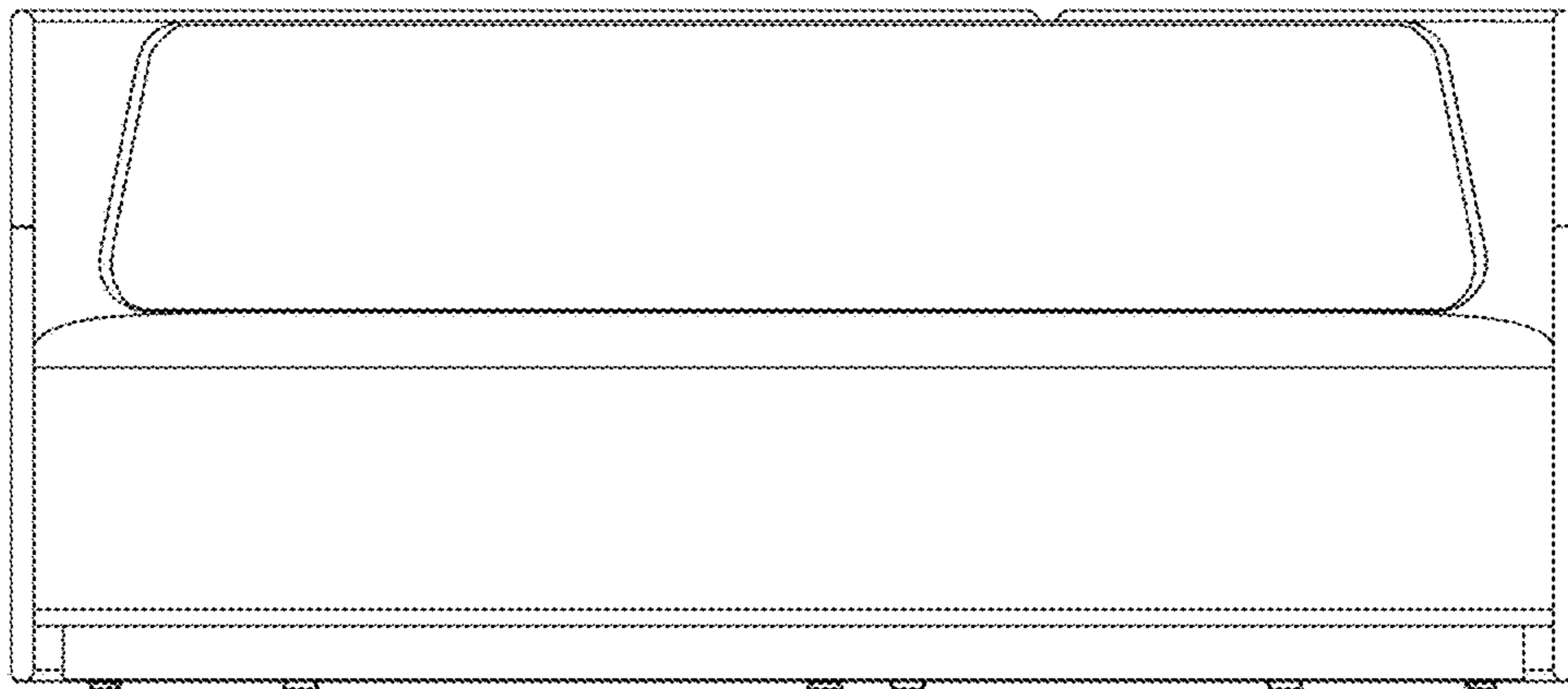




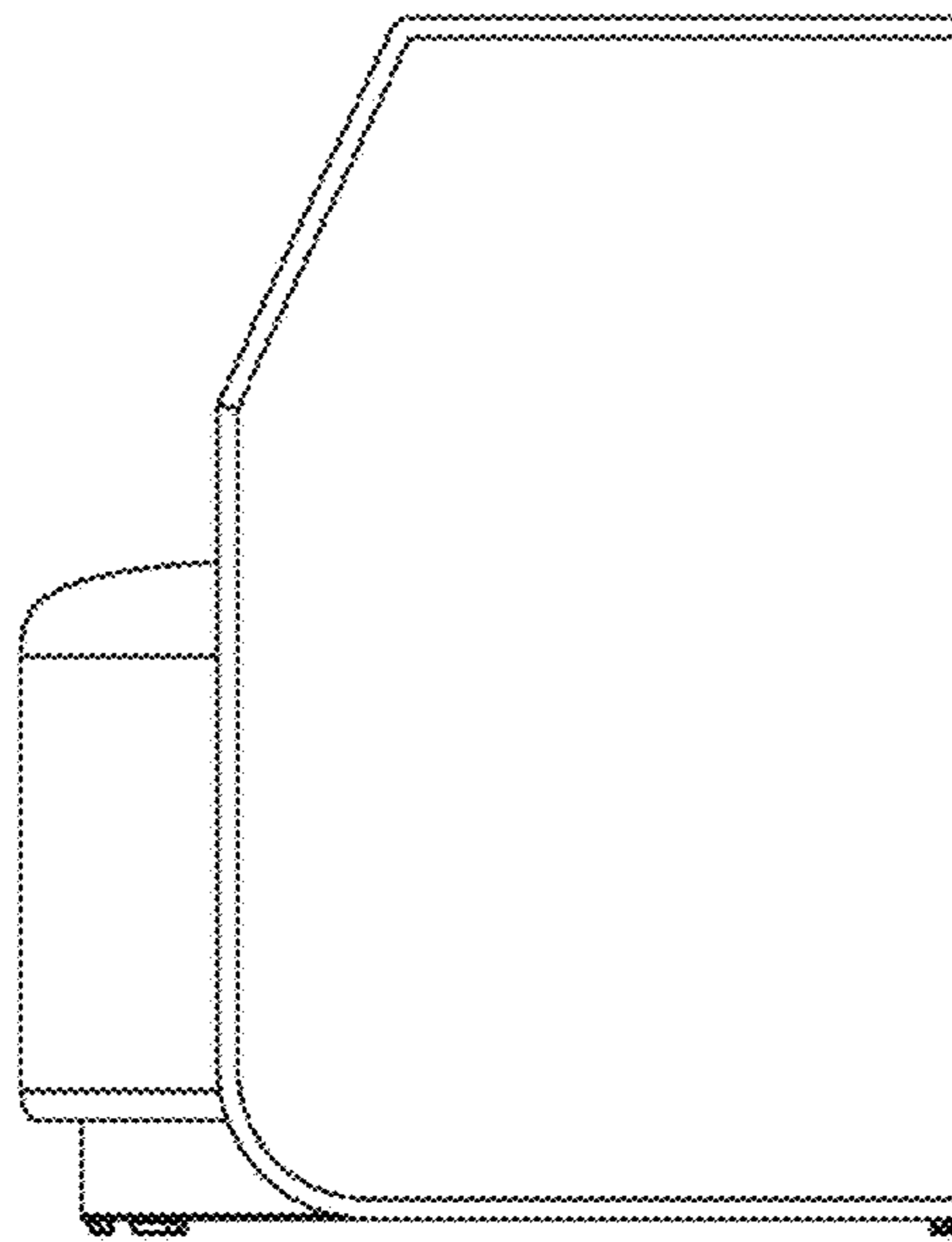
7.5



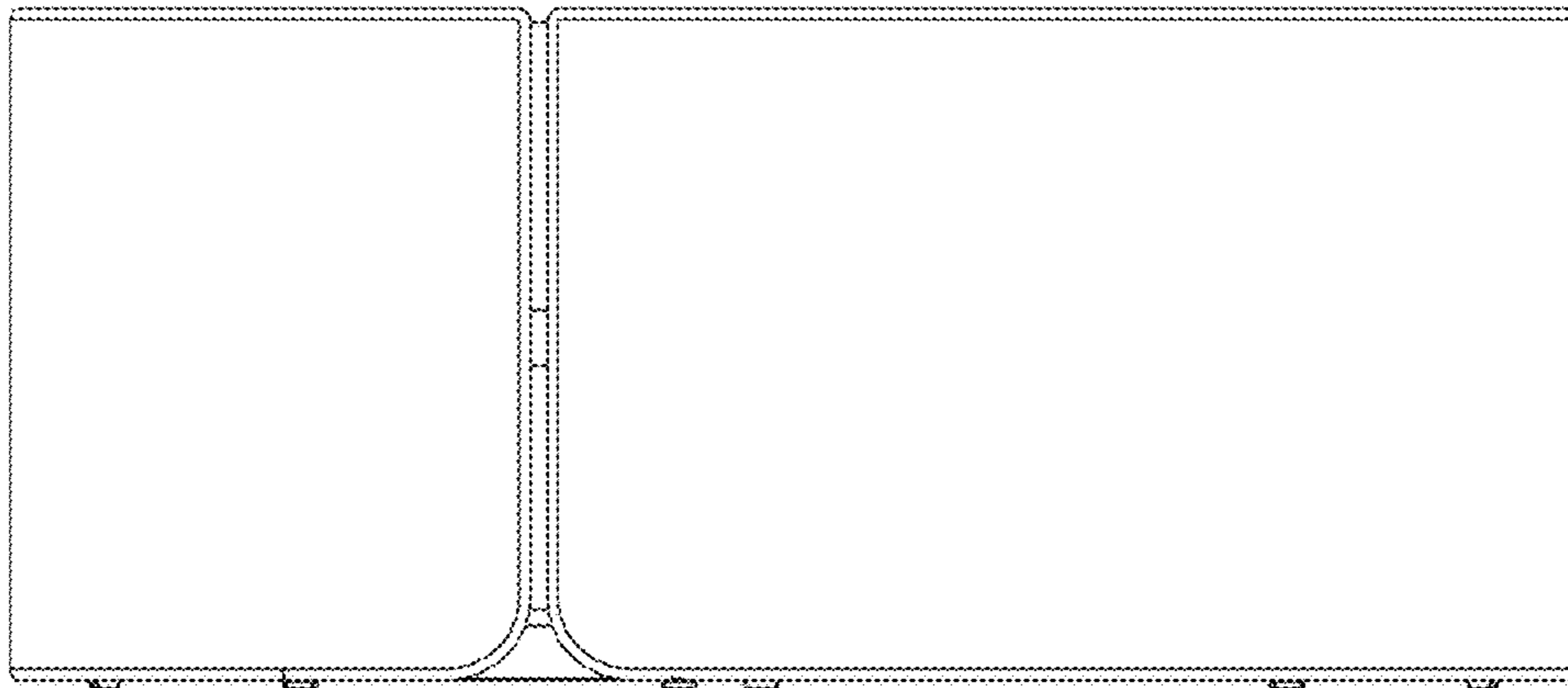
8.1



8.2

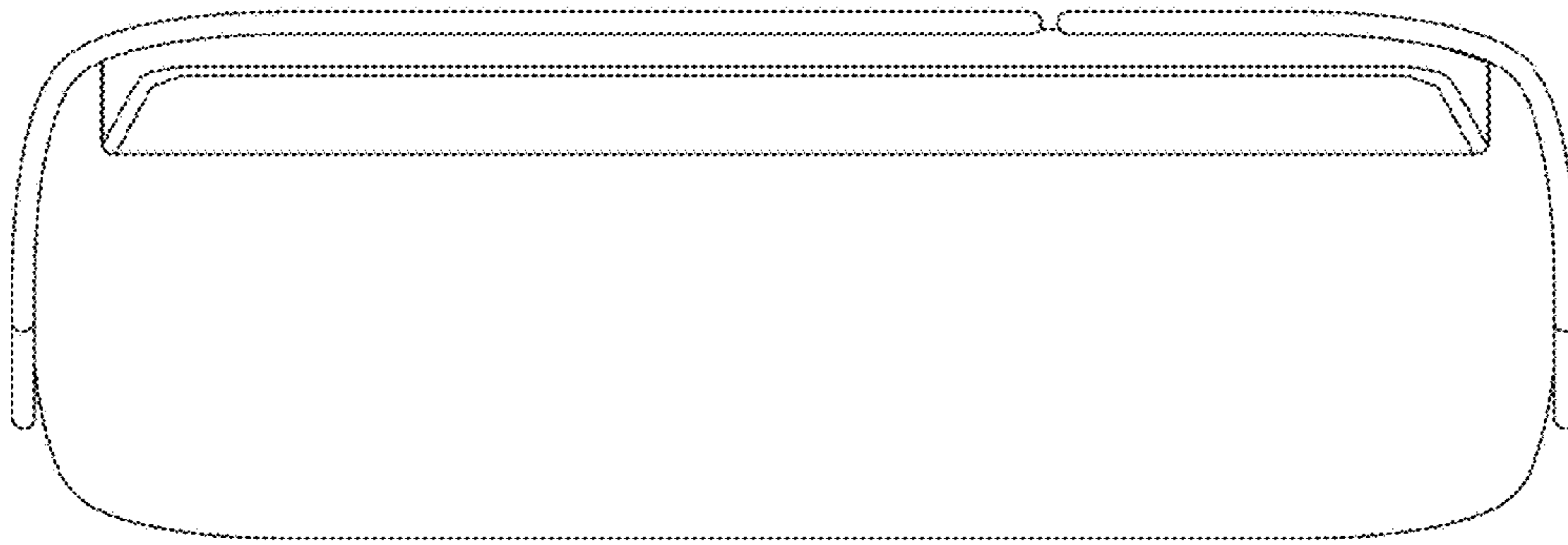


8.3

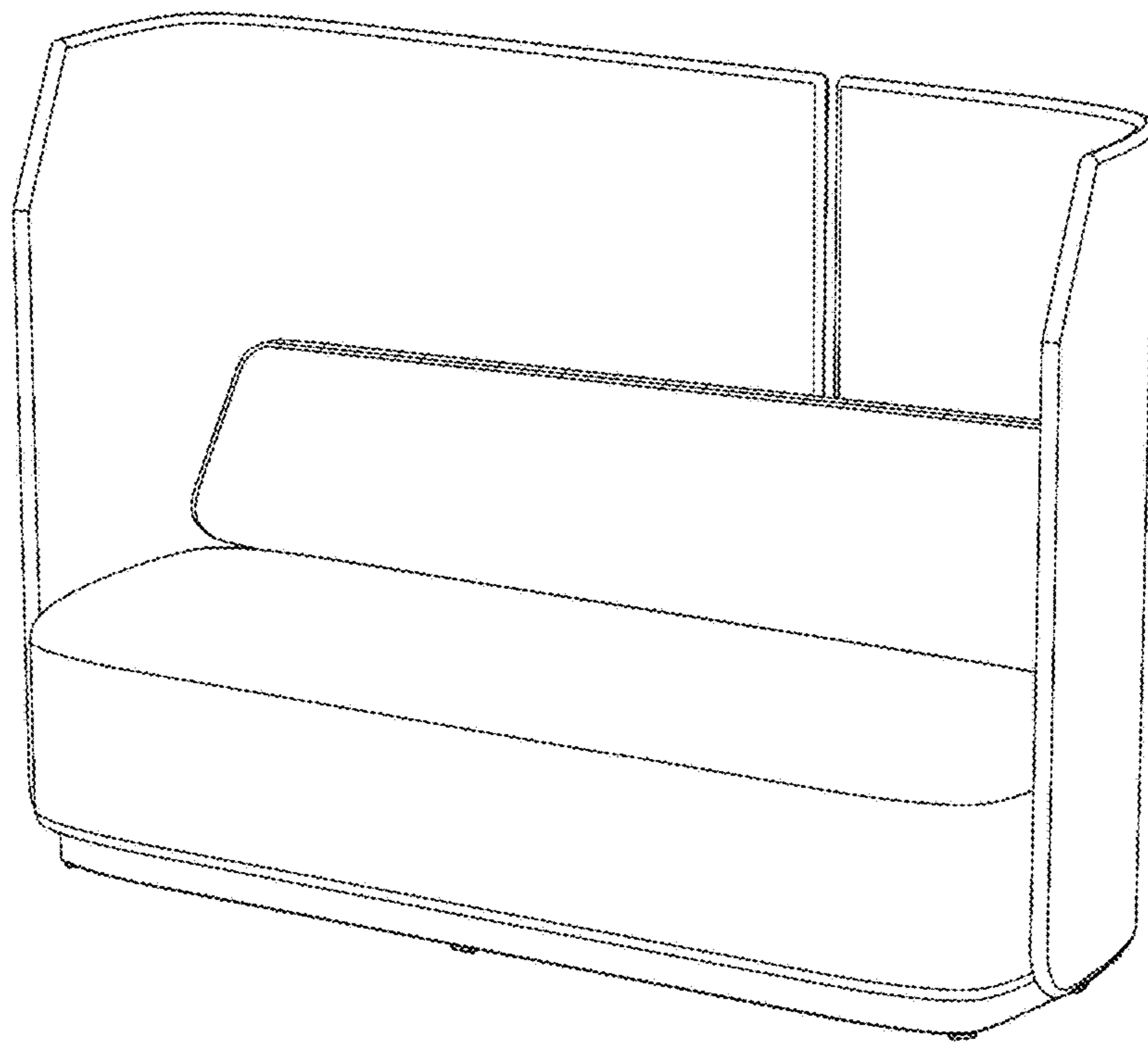


8.4

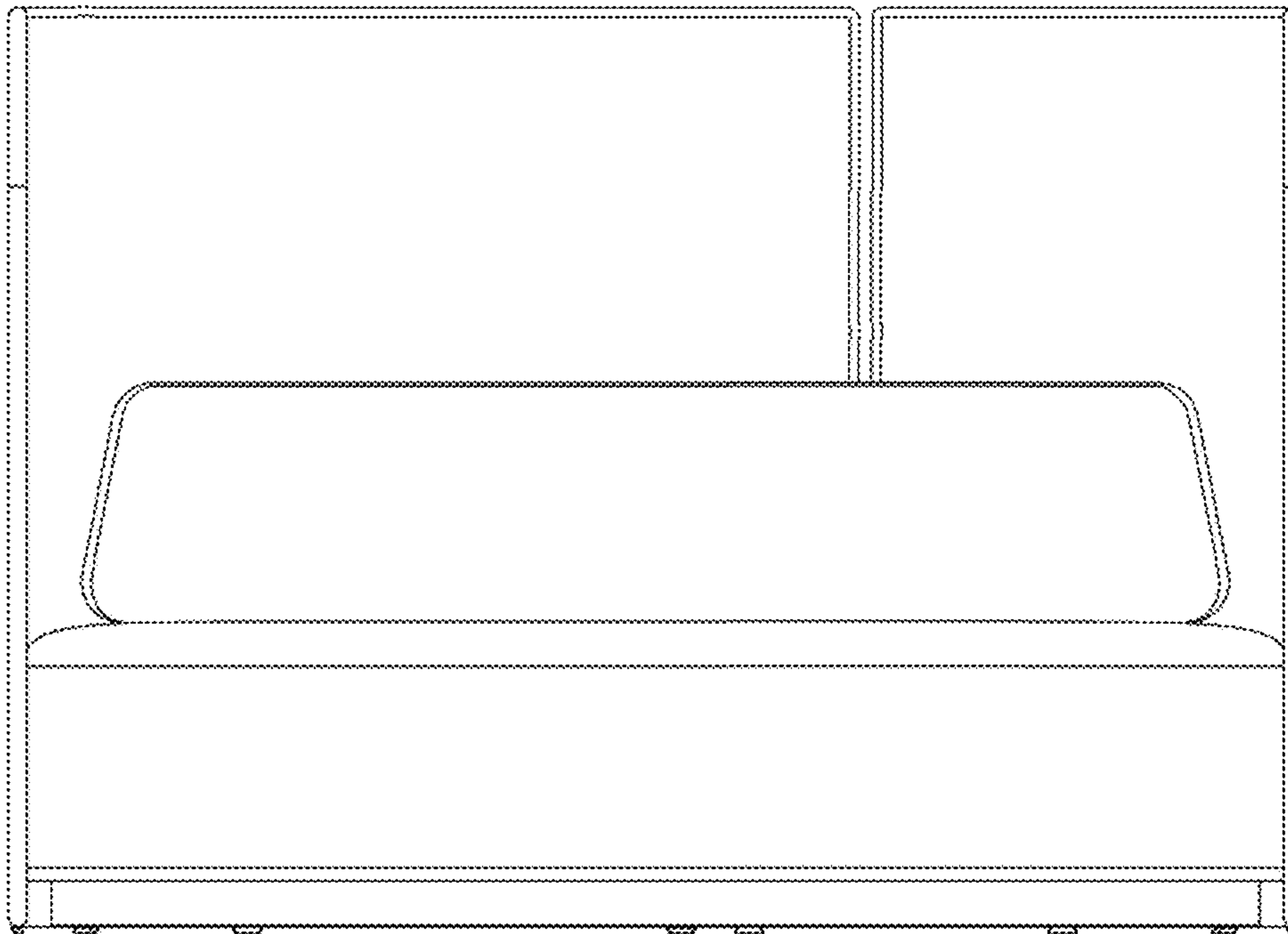




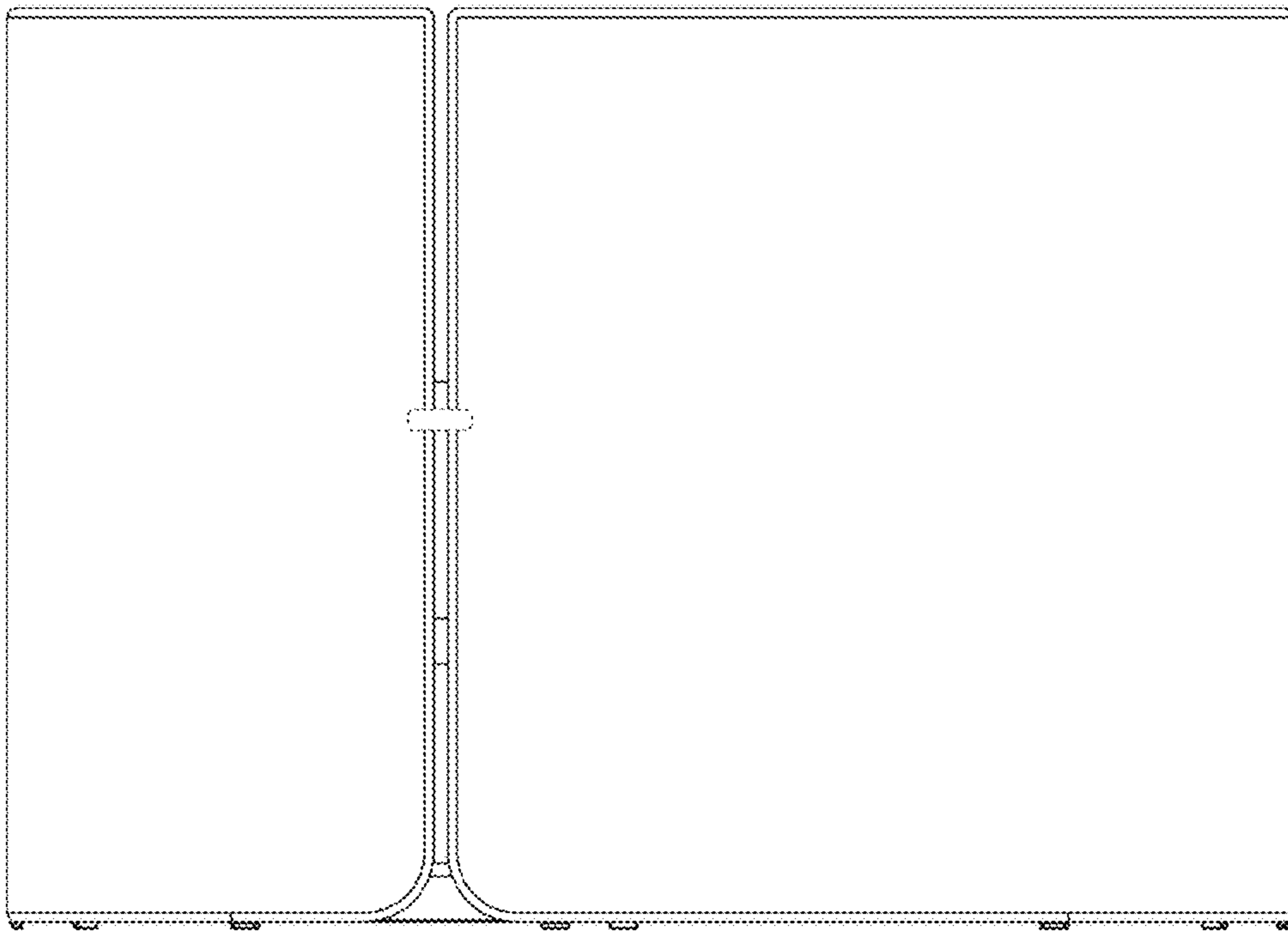
8.5



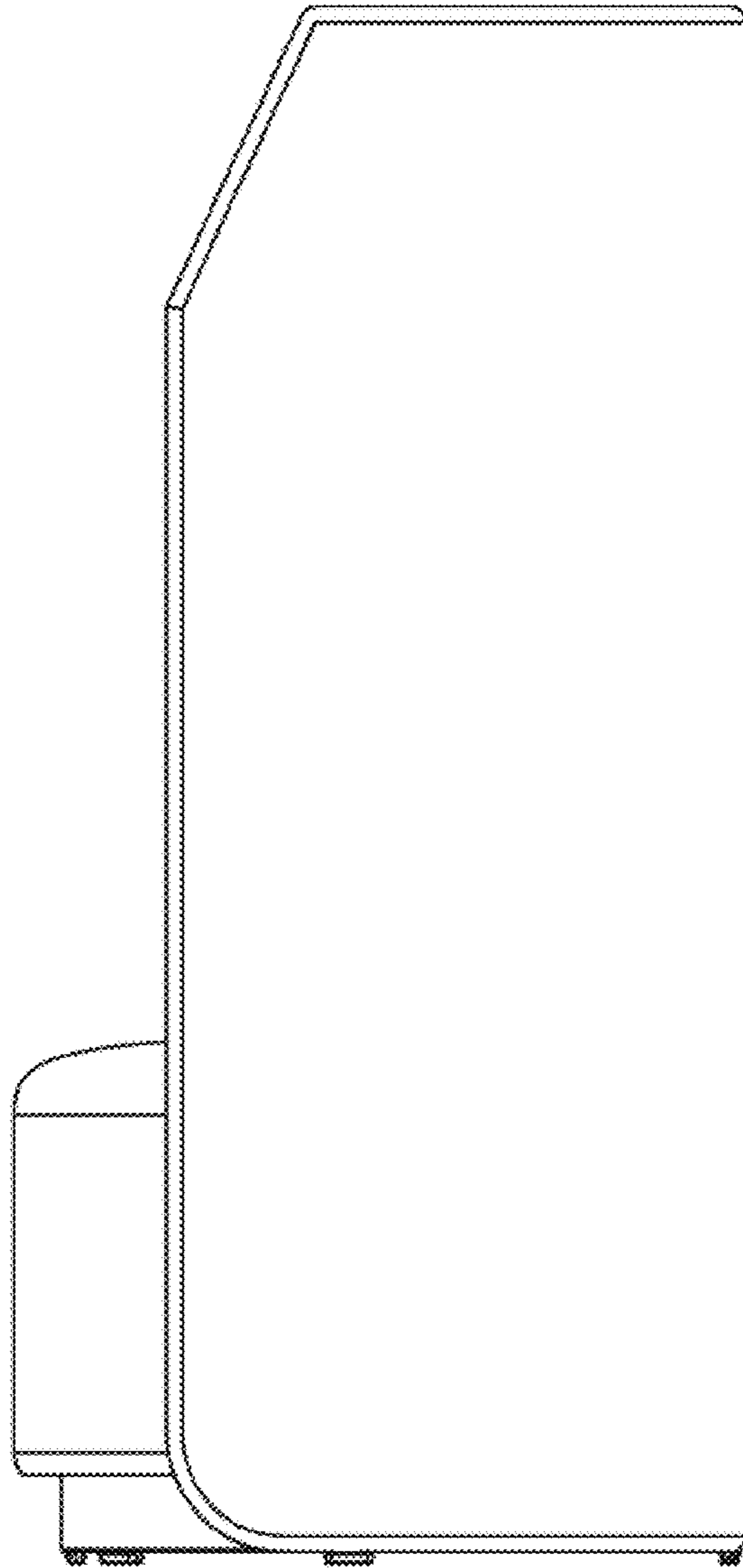
9.1



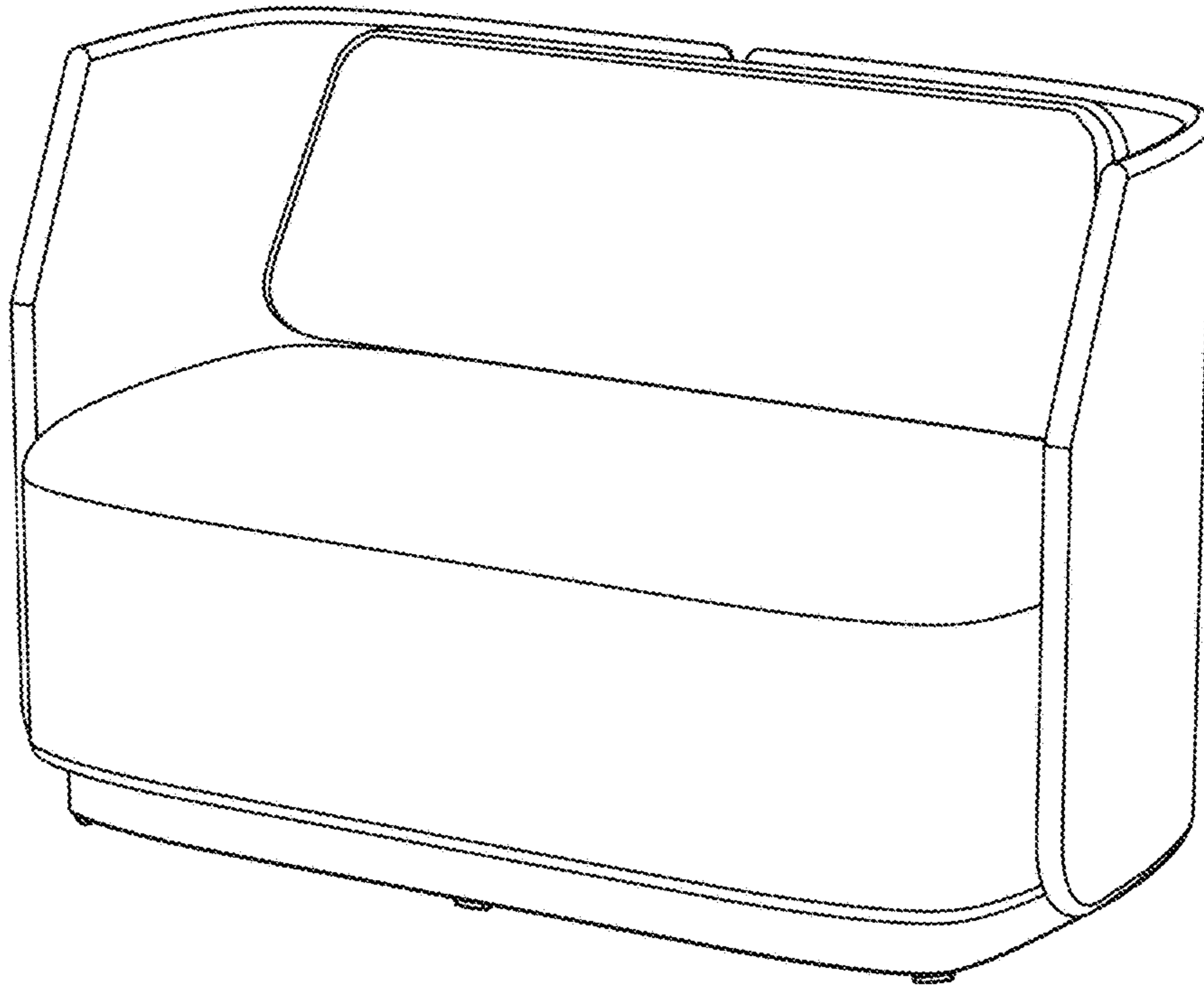
9.2



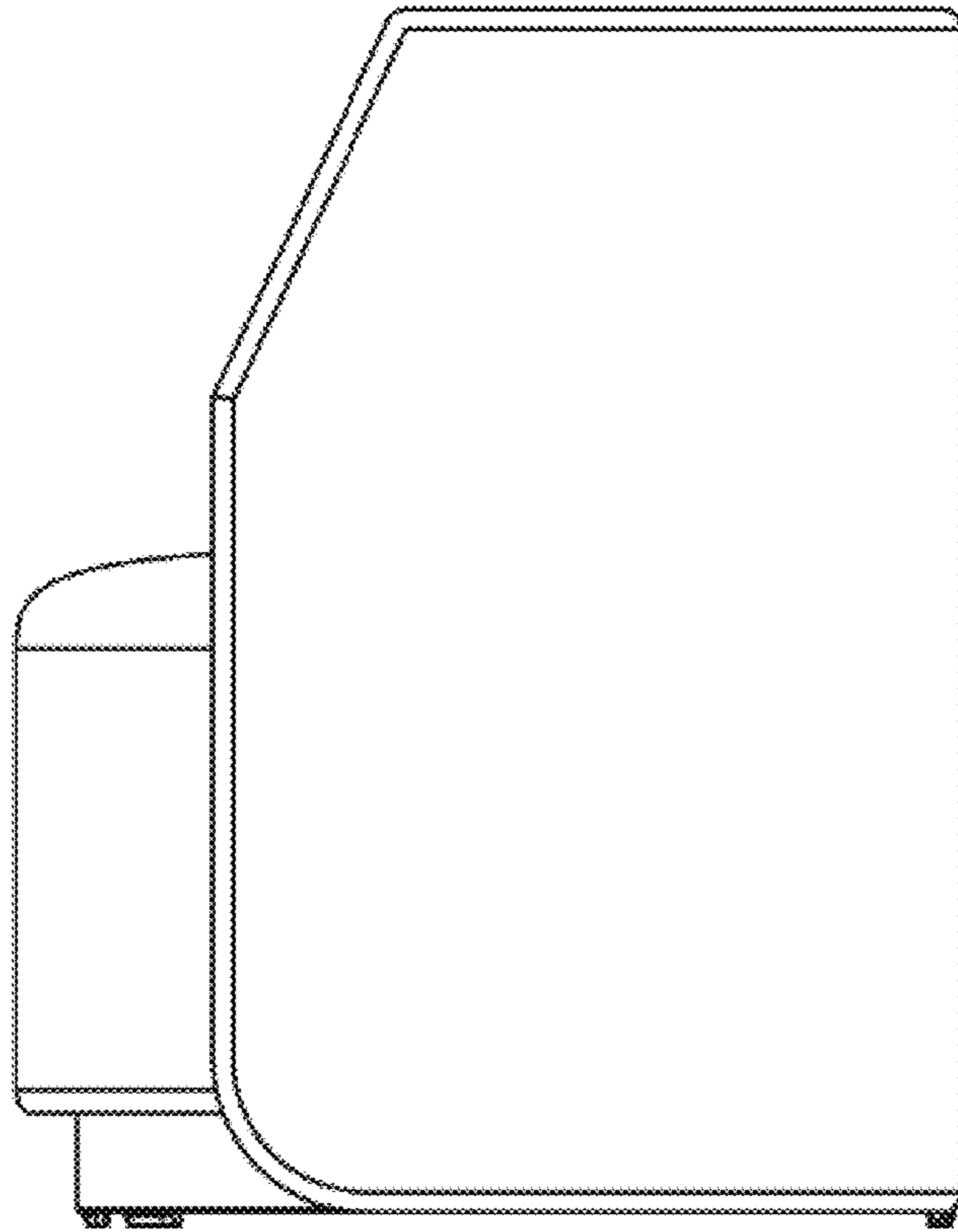
9.3



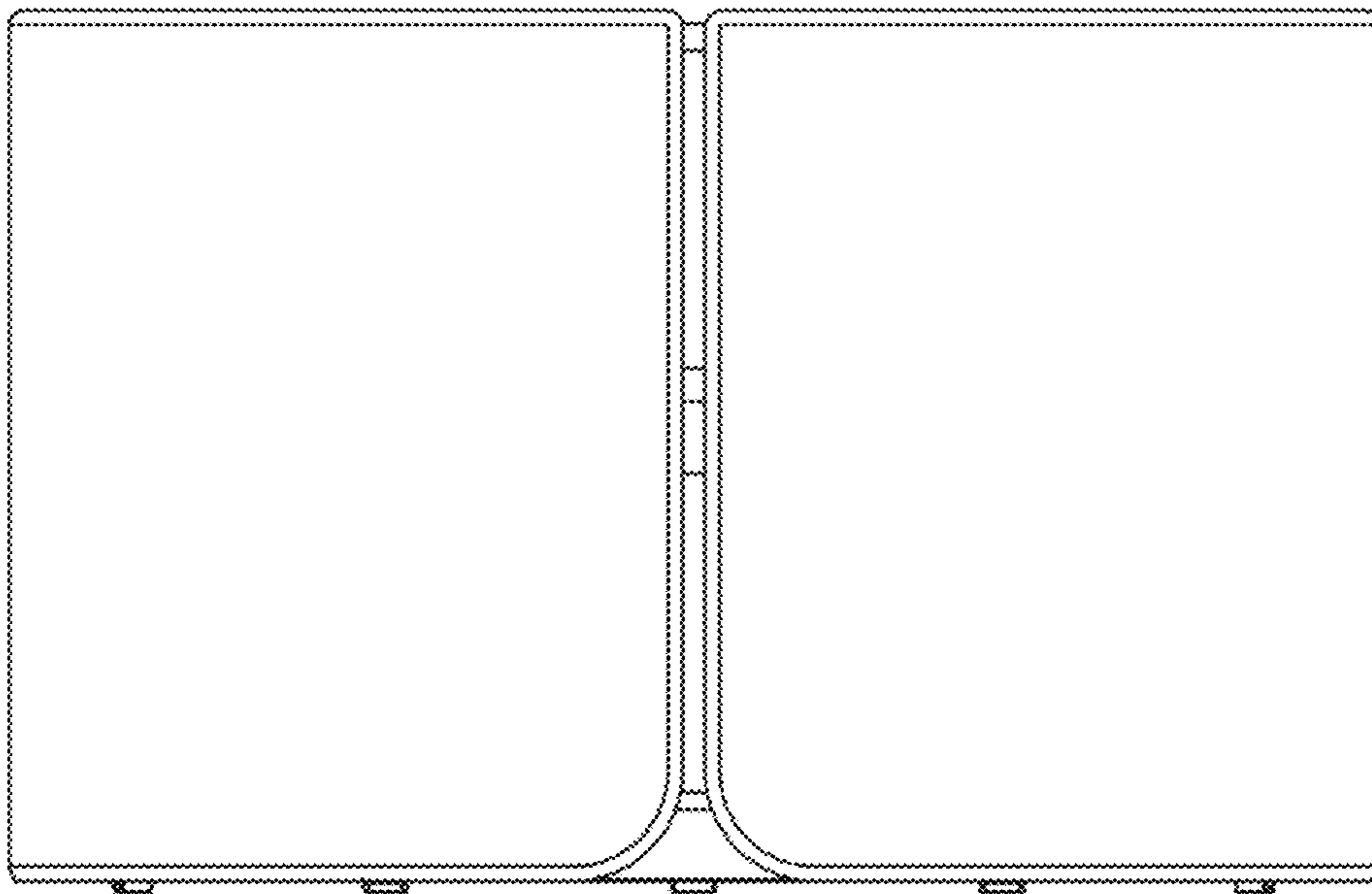
9.4



10.1

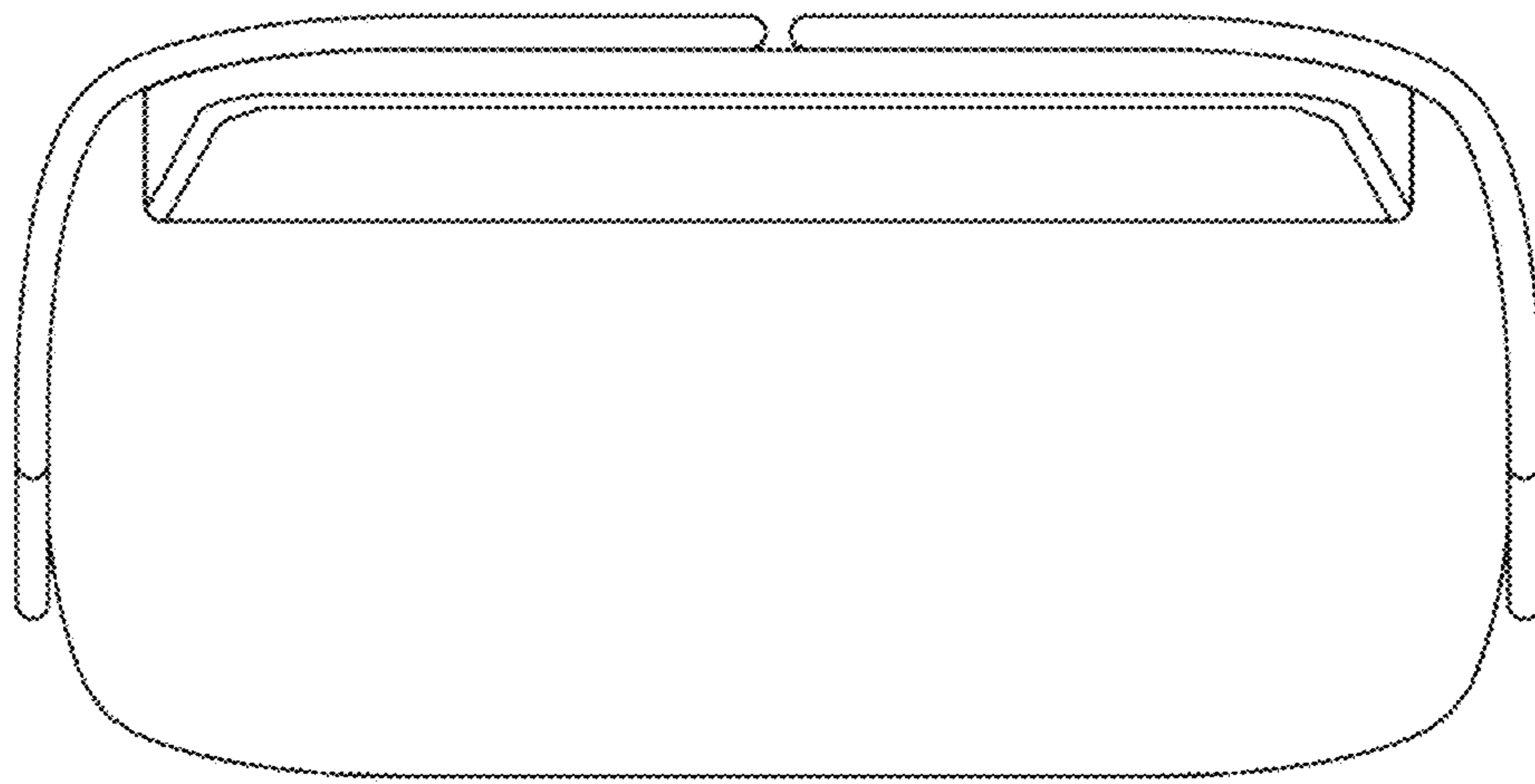


10.2

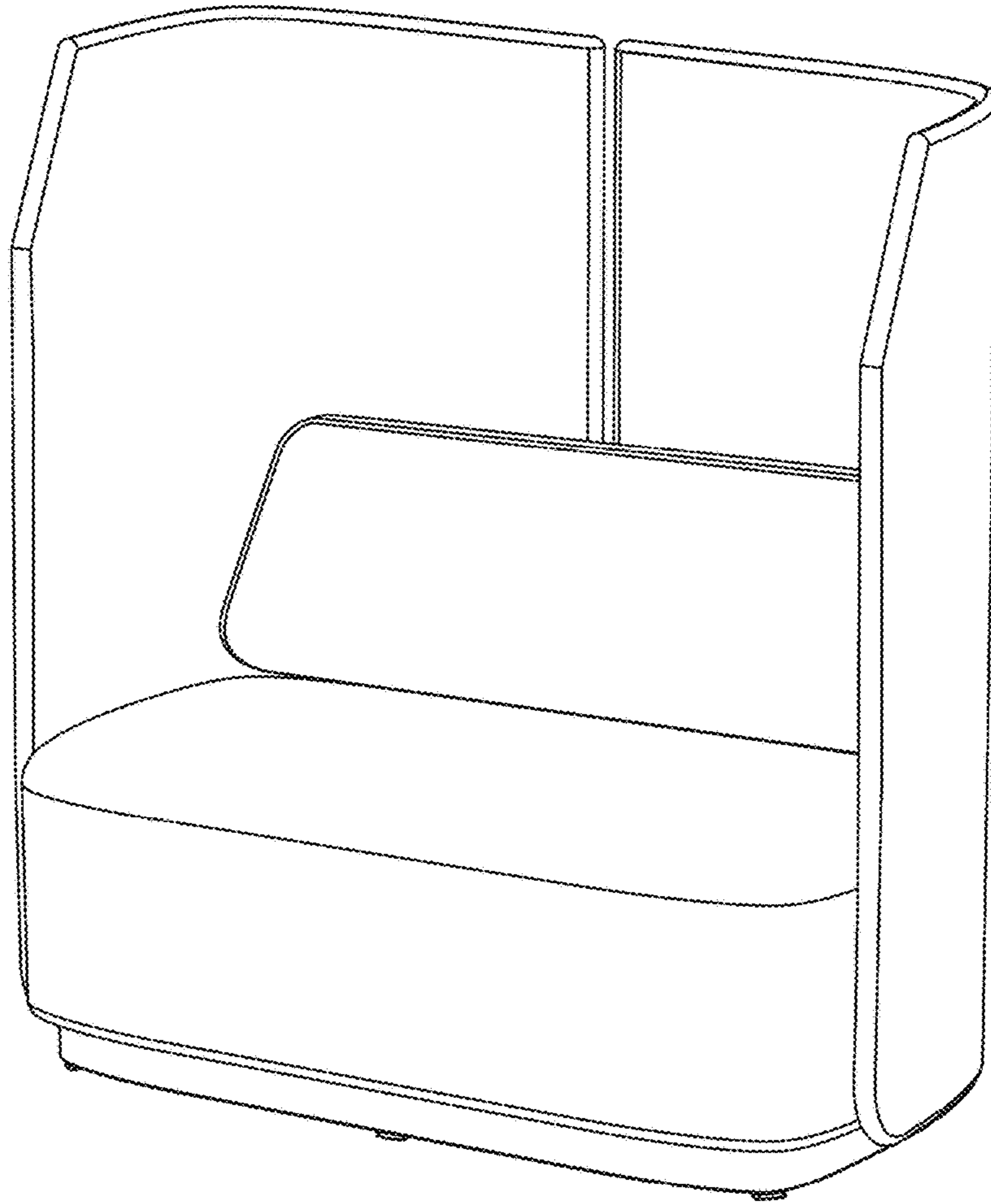


10.3

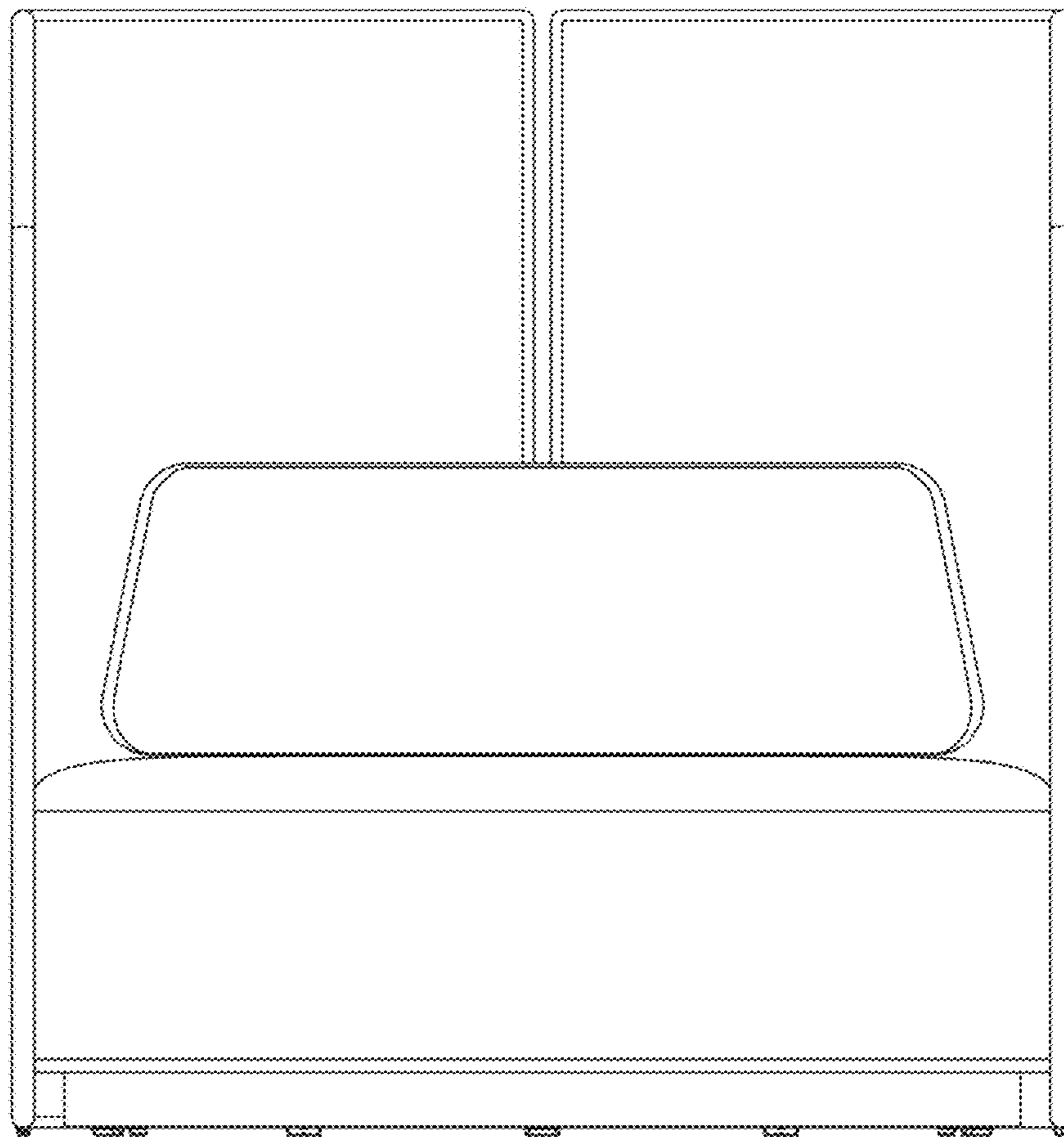




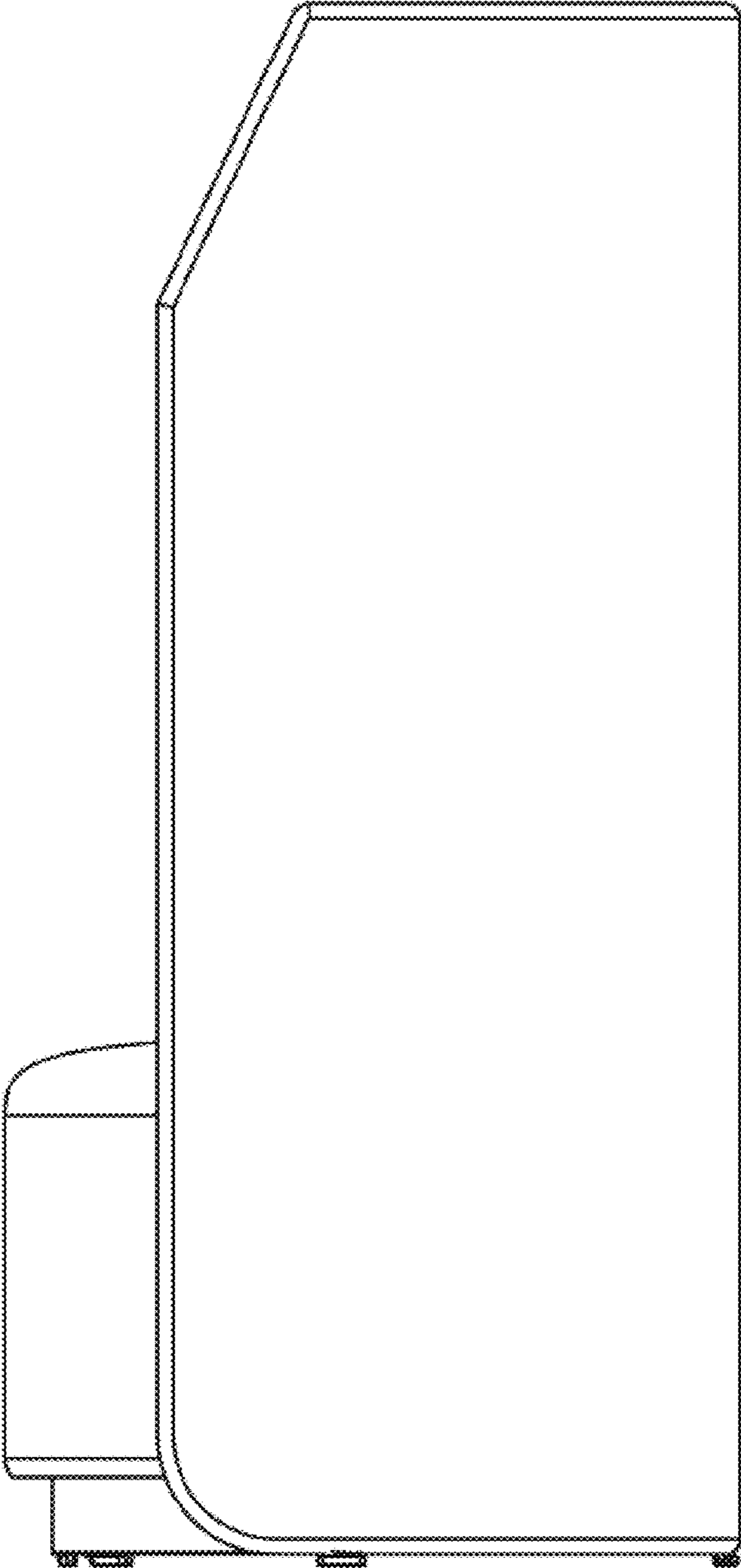
10.4



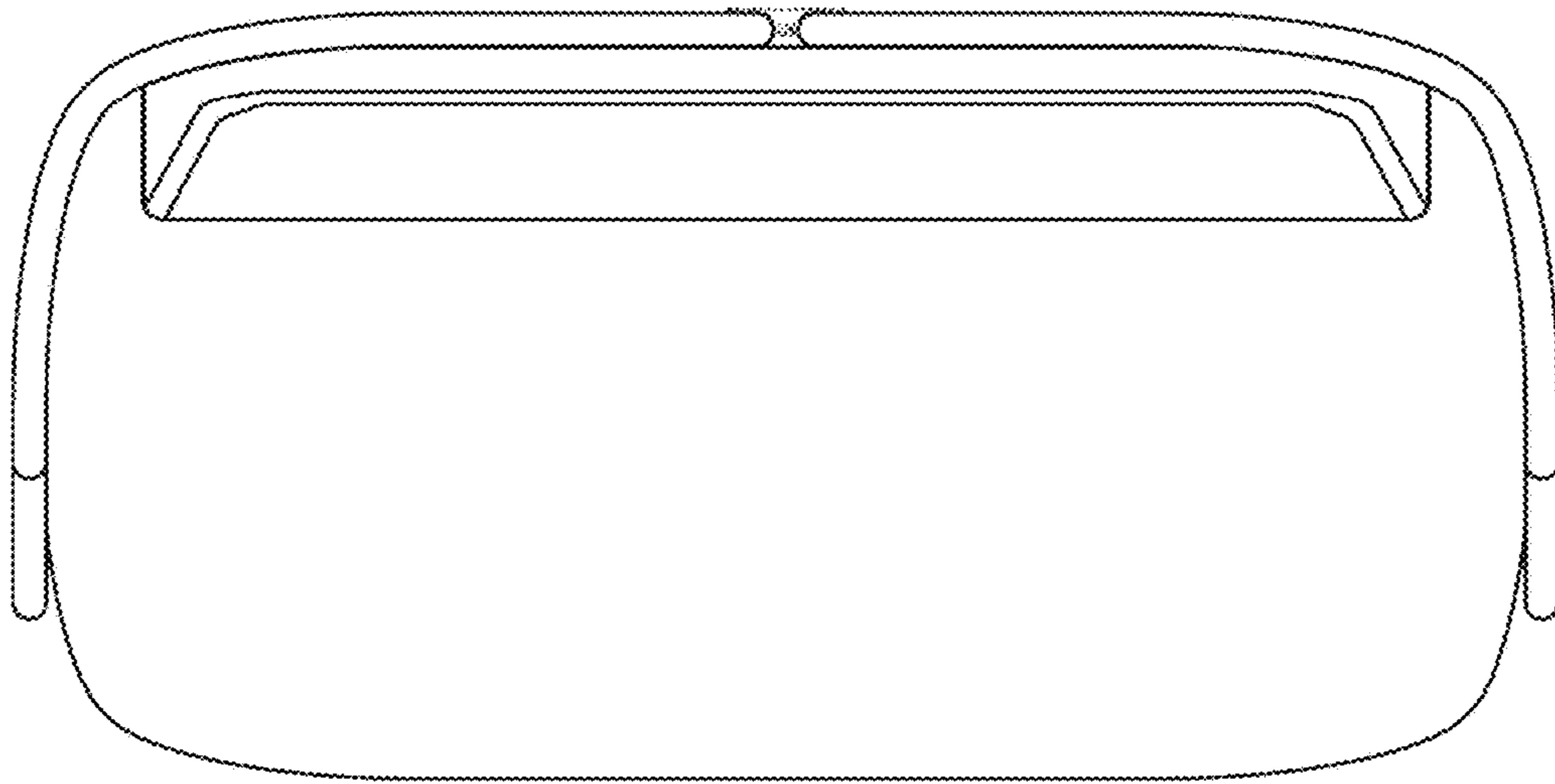
11.1



11.2



11.3



11.4