



US00D840699S

(12) **United States Design Patent**
Xie

(10) **Patent No.:** **US D840,699 S**

(45) **Date of Patent:** **** Feb. 19, 2019**

(54) **MIRROR**

(71) Applicant: **Shenzhen Derl Technology Co., Ltd.**,
Shenzhen (CN)

(72) Inventor: **Yun Xie**, Shenzhen (CN)

(73) Assignee: **SHENZHEN DERL TECHNOLOGY CO., LTD.**, Shenzhen (CN)

(**) Term: **15 Years**

(21) Appl. No.: **29/628,393**

(22) Filed: **Dec. 4, 2017**

(51) **LOC (11) Cl.** **06-06**

(52) **U.S. Cl.**
USPC **D6/309; D6/310**

(58) **Field of Classification Search**
USPC D6/300–314
CPC ... A47G 1/00; A47G 1/02; A47G 1/06; A47G
1/0616; A47G 1/14; A47G 1/141; A45D
42/00; A45D 42/08; A45D 42/14; A45D
42/16; A45D 42/10
See application file for complete search history.

(56) **References Cited**

U.S. PATENT DOCUMENTS

D699,952 S * 2/2014 Yang D6/309
D737,060 S * 8/2015 Yang D6/309

9,638,410 B2 * 5/2017 Yang F21V 33/004
D793,099 S * 8/2017 Bailey D14/172
D830,070 S * 10/2018 Liu D6/309
2013/0235610 A1 * 9/2013 Yang F21V 33/004
362/555

* cited by examiner

Primary Examiner — Deanna L Pratt

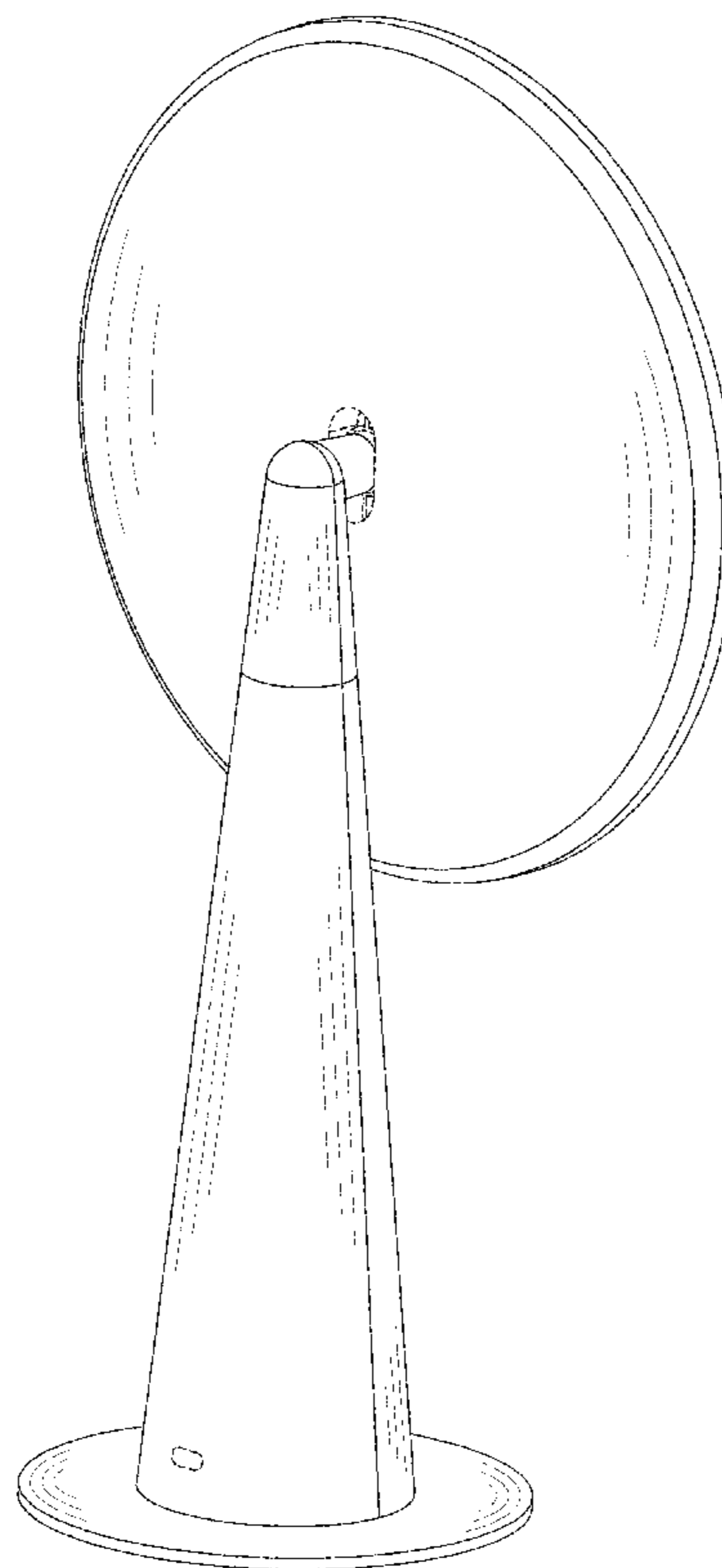
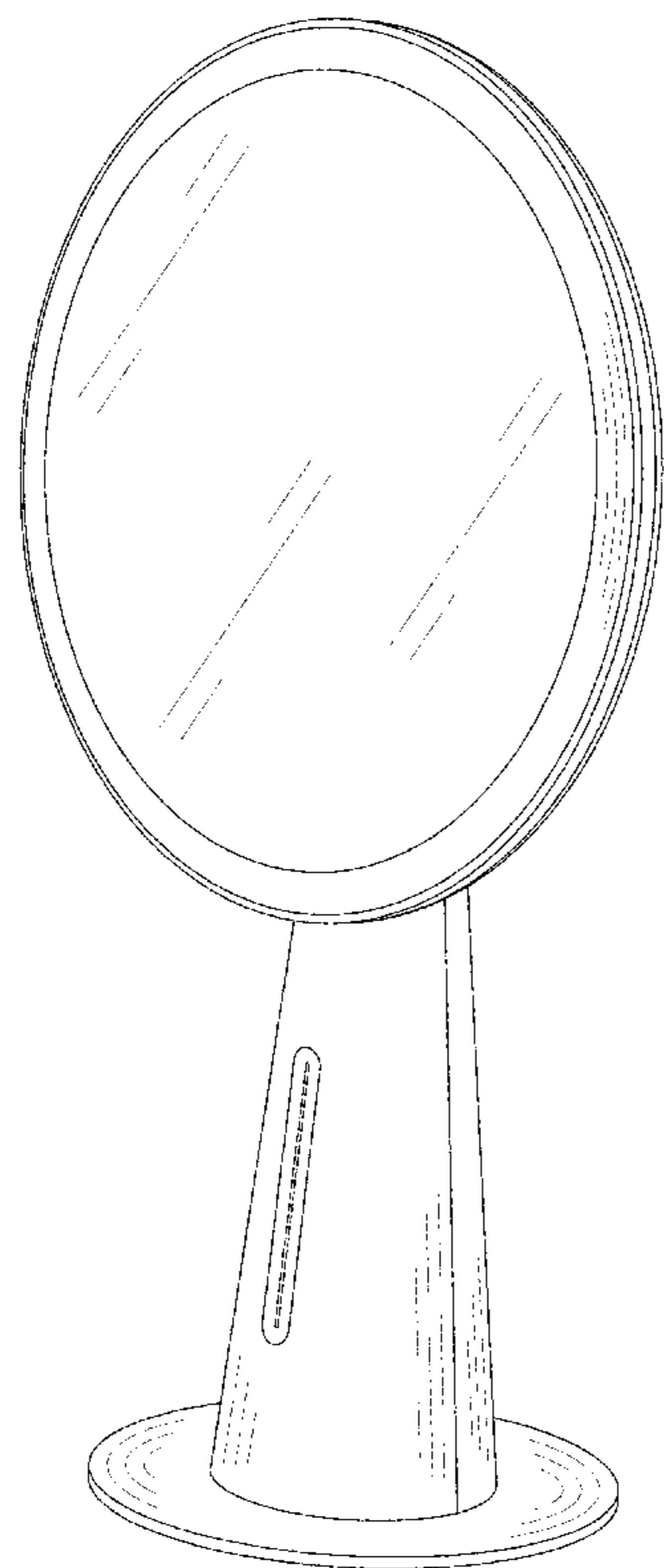
(57) **CLAIM**

The ornamental design for a mirror, as shown and described.

DESCRIPTION

FIG. 1 is perspective view showing my design;
FIG. 2 is another perspective view showing my design;
FIG. 3 is a front view showing my design;
FIG. 4 is a back view showing my design;
FIG. 5 is a left side view showing my design;
FIG. 6 is a right side view showing my design;
FIG. 7 is a top plan view showing my design; and,
FIG. 8 is a bottom plan view showing my design.
The portions of the article shown in broken lines form no part of the claimed design.

1 Claim, 8 Drawing Sheets



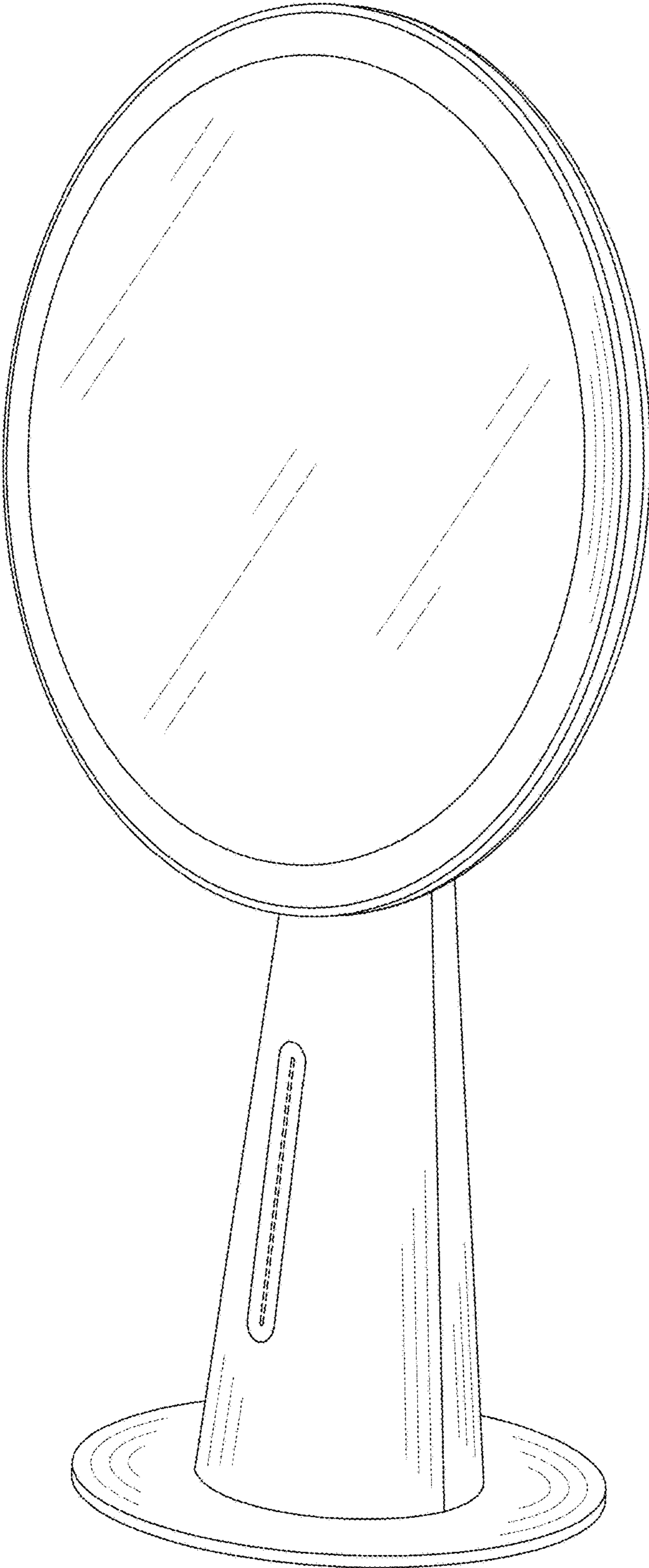


FIG.1

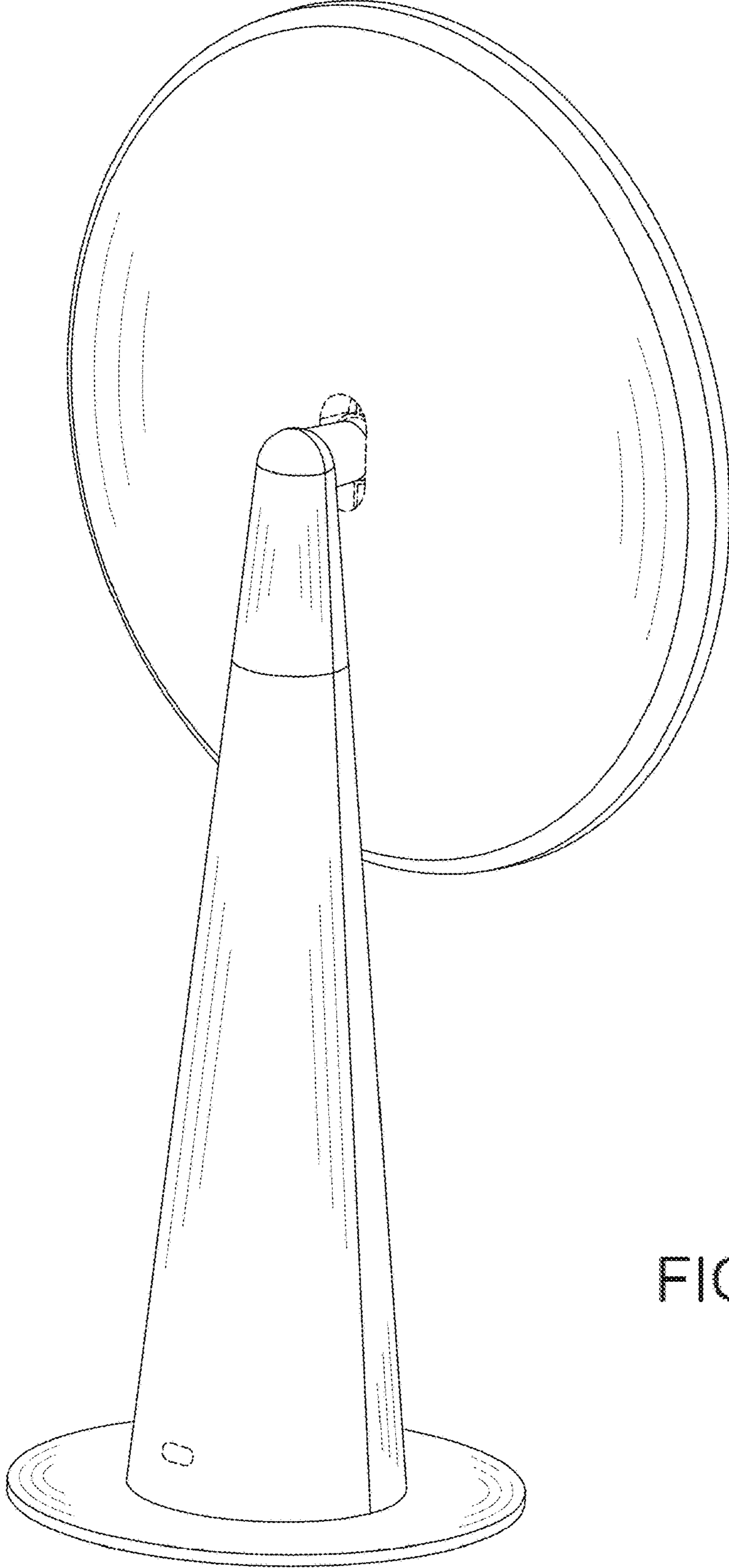


FIG. 2

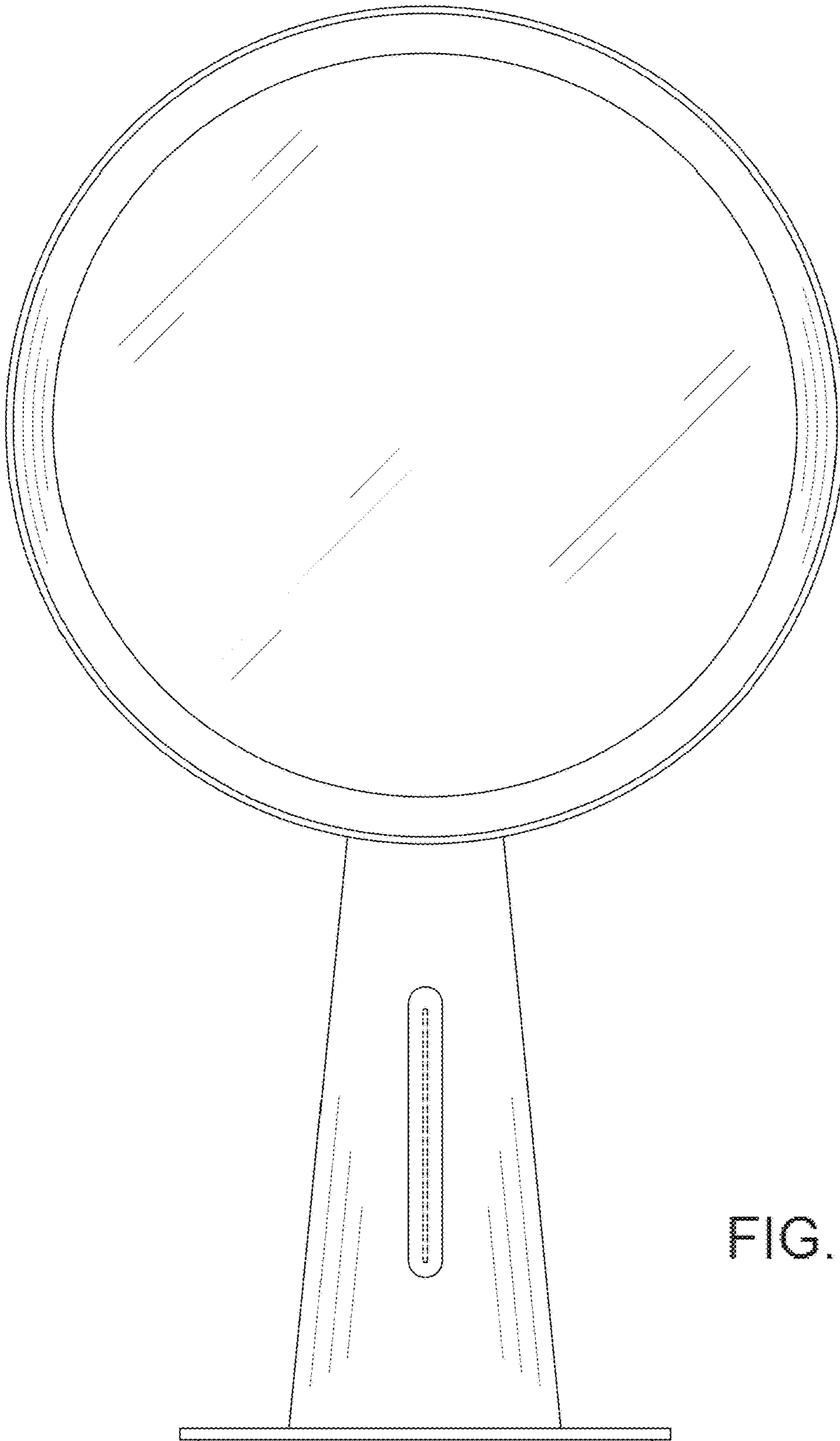


FIG. 3

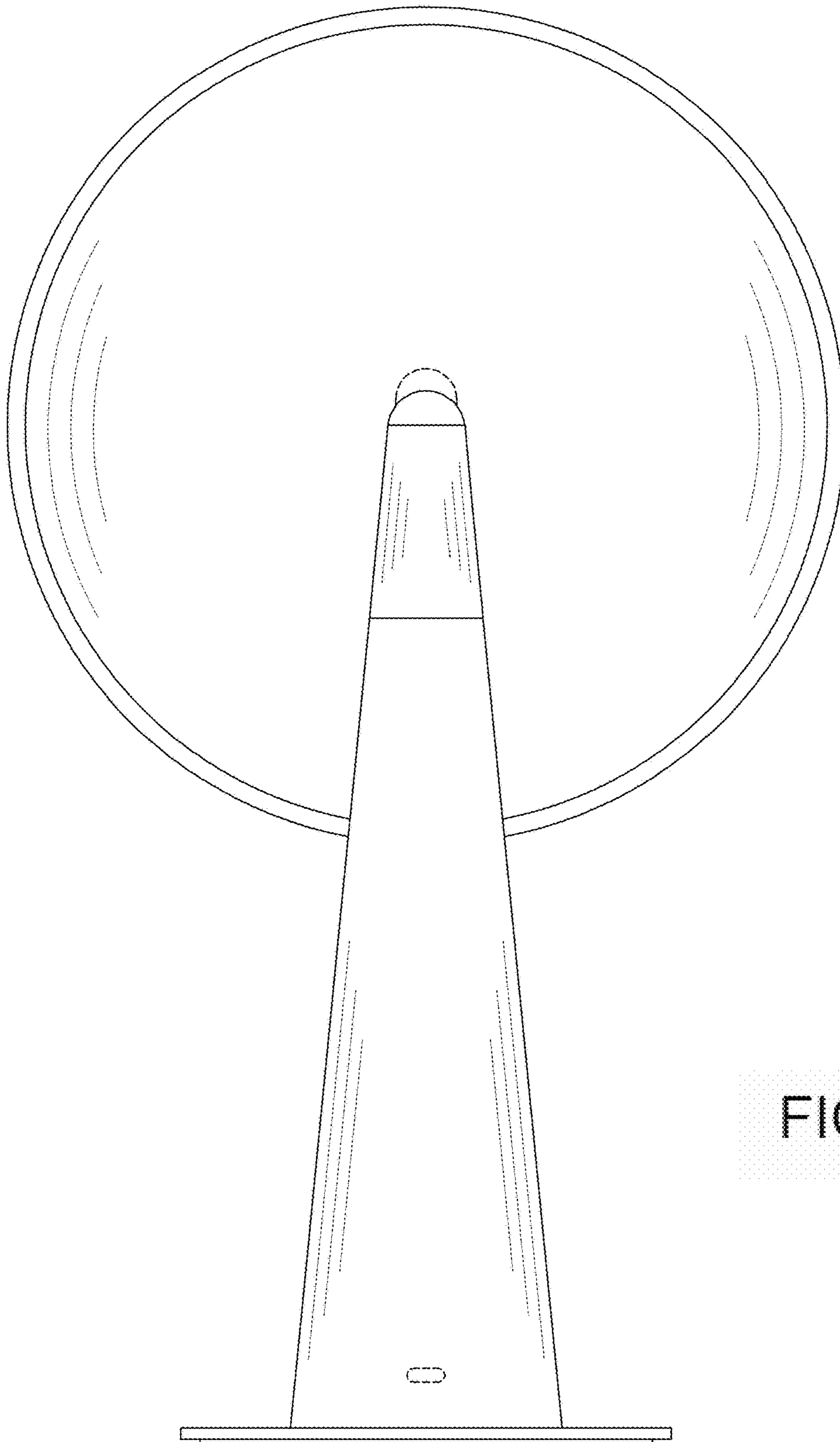


FIG. 4

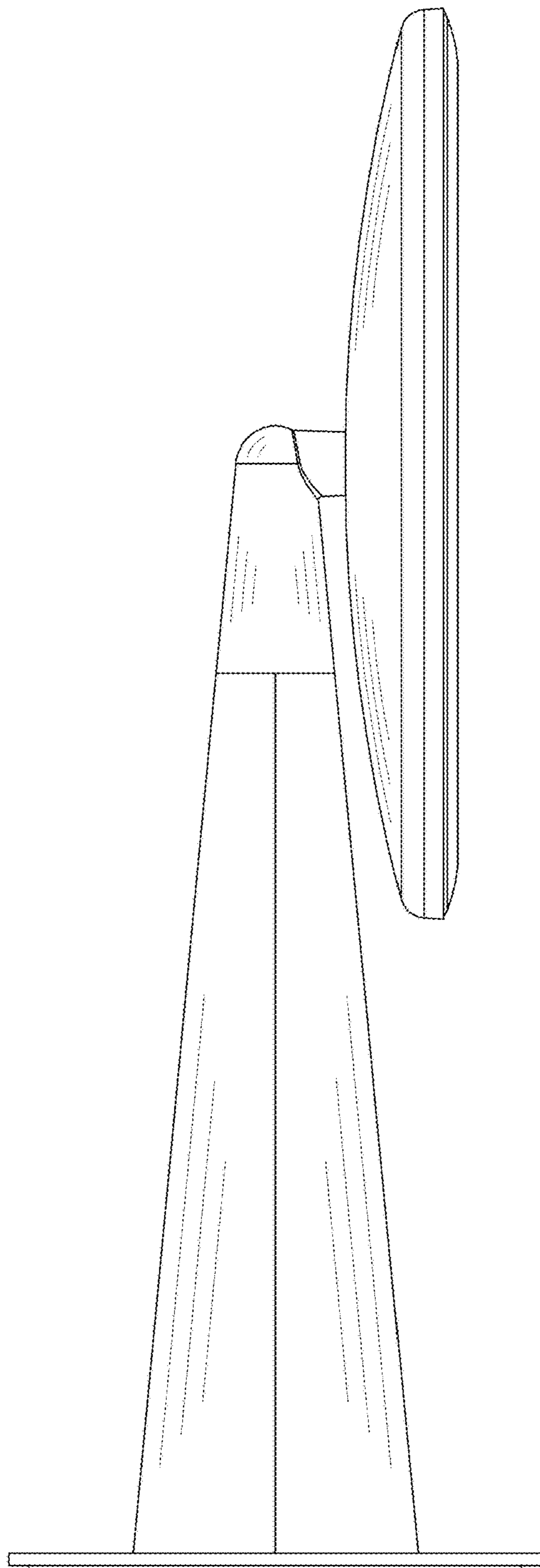


FIG.5

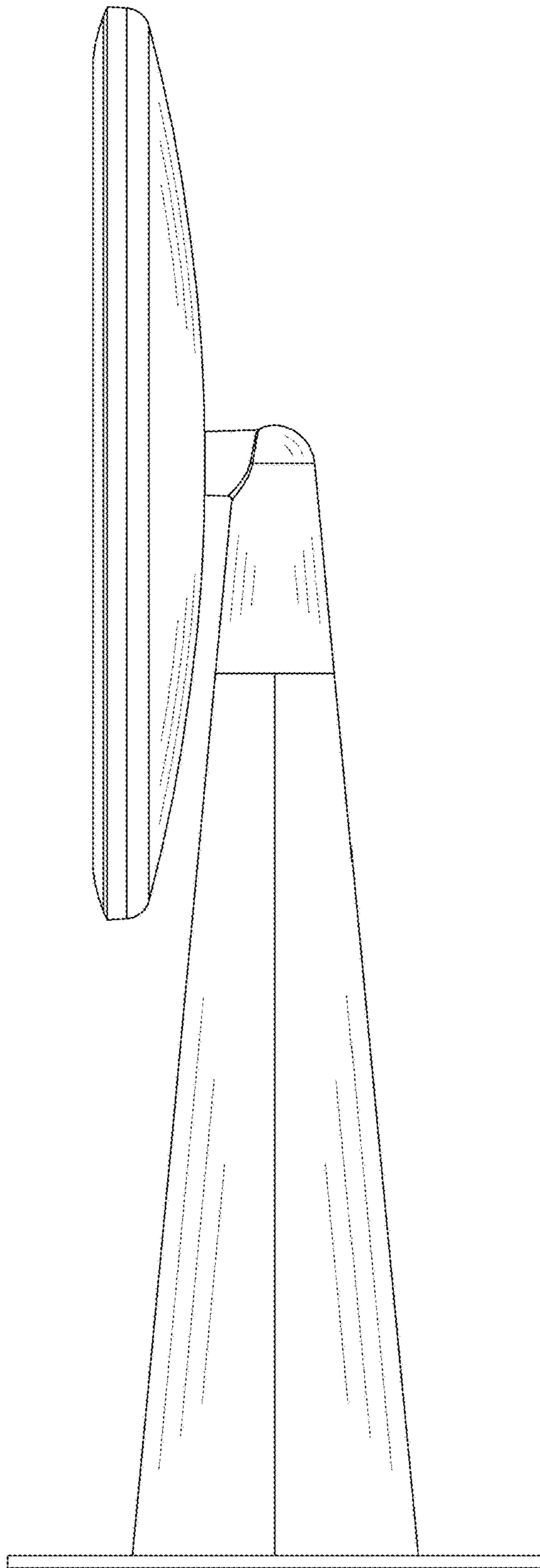


FIG. 6

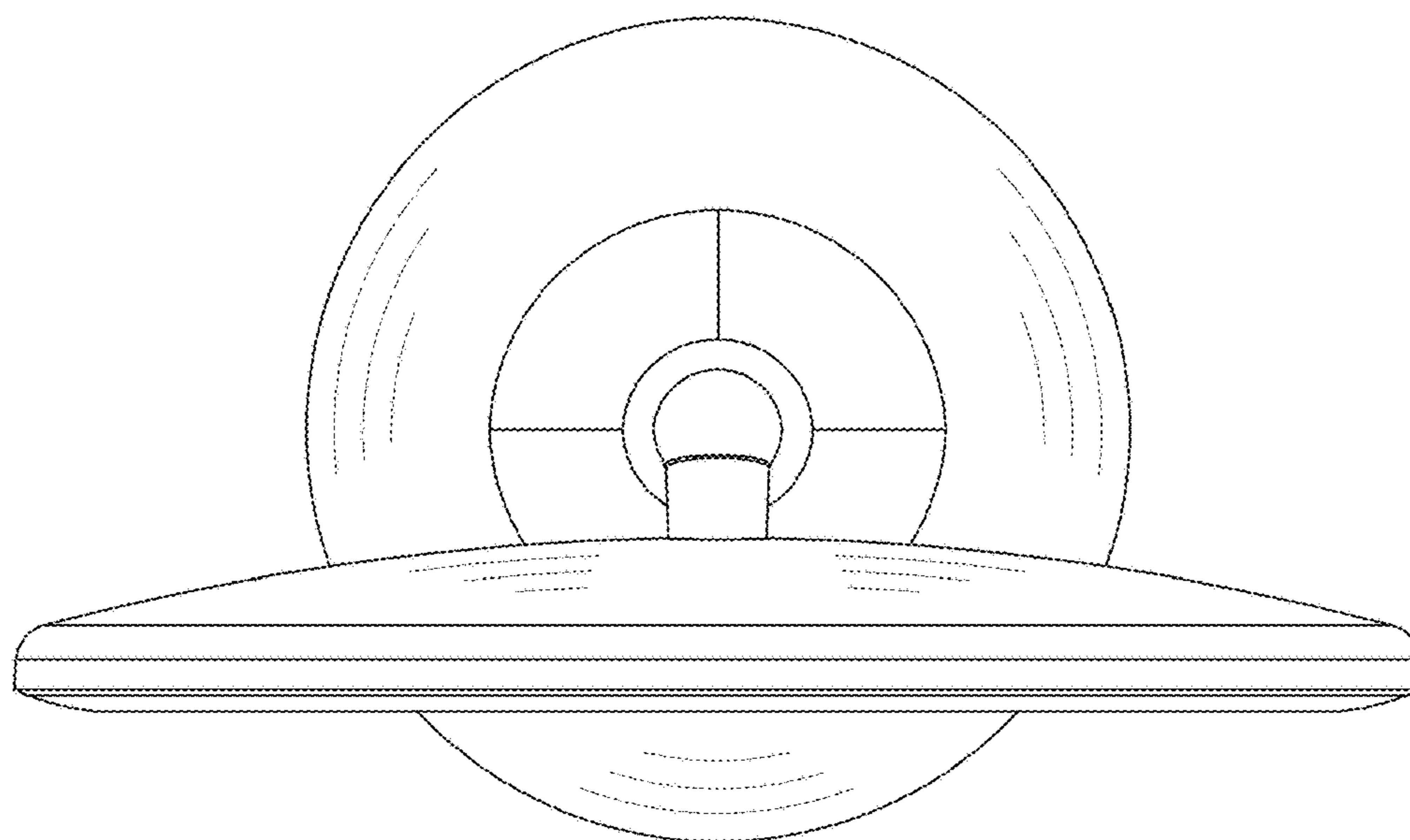


FIG.7

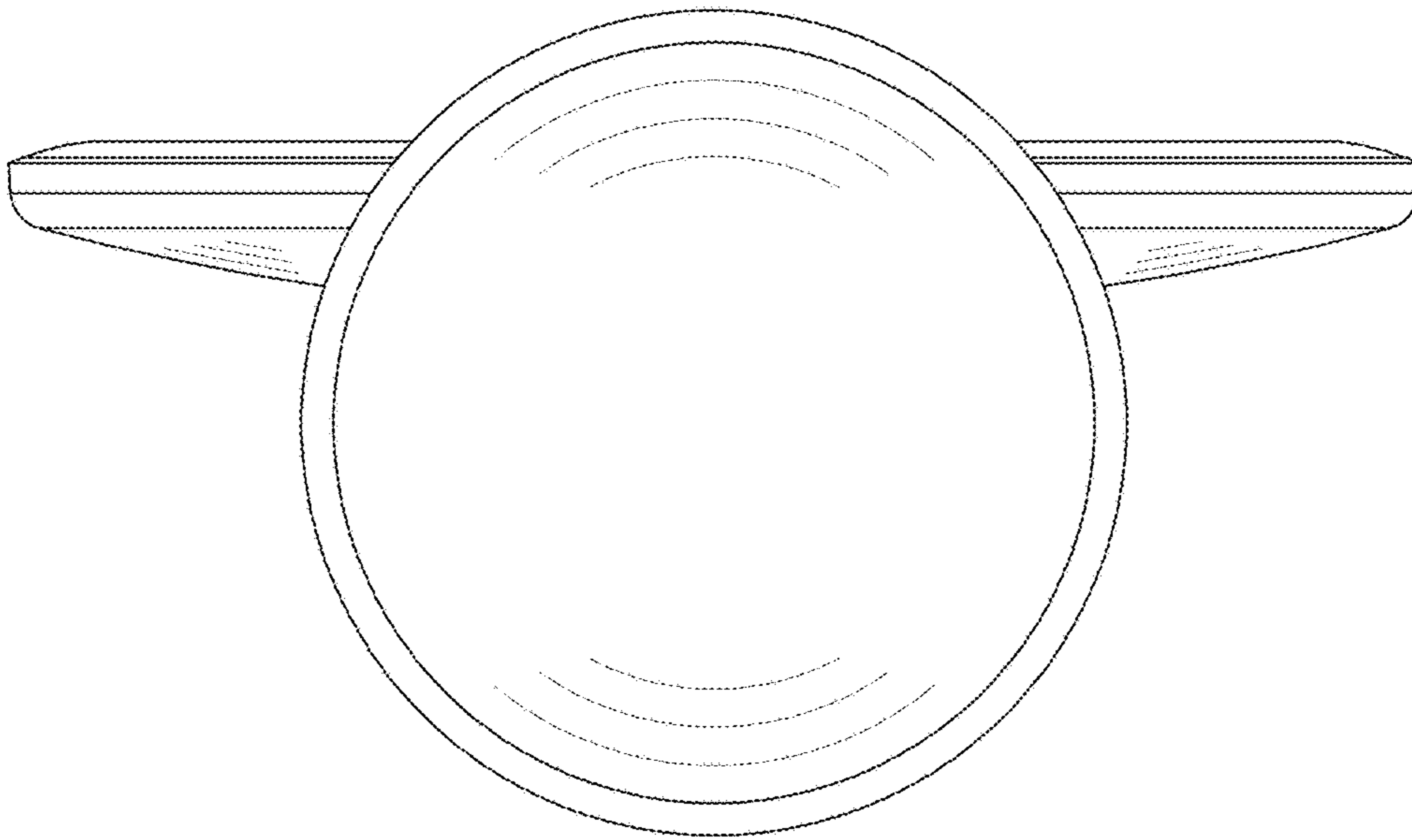


FIG. 8