



US00D840688S

(12) **United States Design Patent** (10) **Patent No.:** **US D840,688 S**  
**Kite** (45) **Date of Patent:** **\*\* Feb. 19, 2019**

(54) **CLASP**  
(71) Applicant: **J. Choo Limited**, London (GB)  
(72) Inventor: **Sally Kite**, London (GB)  
(73) Assignee: **J. Choo Limited**, London (GB)  
(\*\*) Term: **15 Years**  
(21) Appl. No.: **29/604,476**  
(22) Filed: **May 17, 2017**

(30) **Foreign Application Priority Data**

Nov. 21, 2016 (EM) ..... 003476100-0001  
(51) **LOC (11) Cl.** ..... **03-01**  
(52) **U.S. Cl.**  
USPC ..... **D3/324**  
(58) **Field of Classification Search**  
USPC ..... D3/318, 323, 324, 327, 328, 232, 276;  
D11/3, 13, 86, 87, 93, 218, 220; D8/331,  
D8/336  
CPC .. A45C 5/14; A45C 11/18; A44C 5/18; A44C  
5/0092; E05C 19/14  
See application file for complete search history.

(56) **References Cited**

**U.S. PATENT DOCUMENTS**

D4,664 S \* 2/1871 Arms ..... D3/327  
D115,421 S \* 6/1939 Philip ..... D11/222  
D118,409 S \* 1/1940 Buxton ..... D3/322  
D121,754 S \* 7/1940 Pichel ..... D3/324  
D674,194 S \* 1/2013 Saavedra ..... D3/322  
D714,178 S \* 9/2014 Sabbioni ..... D11/3

(Continued)

**OTHER PUBLICATIONS**

Aliexpress, "2/5/15/30 set Closures Catch Lock Tuck Tri- angle for Leather Bag Case Clasp handbag Purse Crafts", Accessed Oct. 18,

2018. (<https://www.aliexpress.com/item/2-5-15-30-set-Closures-Catch-Lock-Tuck-Tri-angle-for-Leather-Bag-Case-Clasp/32908850235.html>) (Year: 2018).\*

(Continued)

*Primary Examiner* — Jennifer Rivard

*Assistant Examiner* — April Rivas

(74) *Attorney, Agent, or Firm* — Fross Zelnick Lehrman & Zissu, P.C.; Lawrence E. Apolzon, Esq.

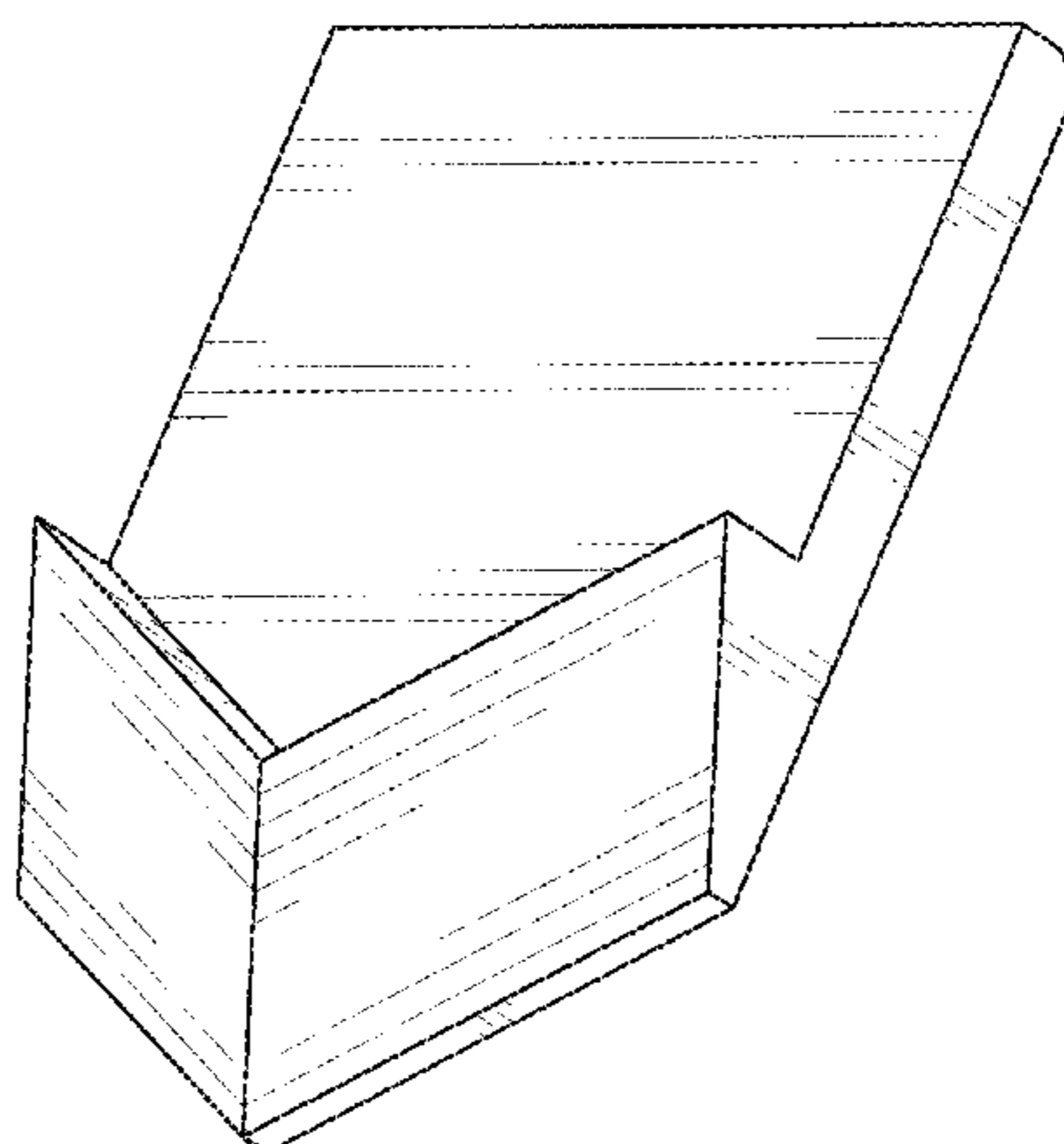
(57) **CLAIM**

The ornamental design for a clasp, as shown and described.

**DESCRIPTION**

FIG. 1 is a front perspective view of a clasp showing my new design;  
FIG. 2 is a left side view thereof;  
FIG. 3 is a right side view thereof;  
FIG. 4 is a front view thereof;  
FIG. 5 is a back view thereof;  
FIG. 6 is a top view thereof;  
FIG. 7 is a bottom view thereof;  
FIG. 8 is a perspective view of the clasp shown in FIG. 1, shown in the environment of a handbag;  
FIG. 9 is a front perspective view of an alternative embodiment of the clasp shown in FIG. 1;  
FIG. 10 is a left side view thereof;  
FIG. 11 is a right side view thereof;  
FIG. 12 is a front view thereof;  
FIG. 13 is a back view thereof;  
FIG. 14 is a top view thereof;  
FIG. 15 is a bottom view thereof; and,  
FIG. 16 is a perspective view of the clasp shown in FIG. 9, shown in the environment of a handbag.  
The broken lines illustrating a purse in FIGS. 8 and 16 represent environment. The remaining broken lines illustrate portions of the clasp. The long dash-short dash broken lines indicate a boundary line. None of the broken lines form part of the claimed design.

**1 Claim, 10 Drawing Sheets**



(56)

**References Cited**

U.S. PATENT DOCUMENTS

D715,552 S	*	10/2014	Kuster .....	D3/318
D769,625 S	*	10/2016	Sassi .....	D3/232
D789,693 S	*	6/2017	Gerbelle .....	D3/324
D797,457 S	*	9/2017	Gerbelle .....	D3/324
D808,657 S	*	1/2018	Gerbelle .....	D3/324
D825,186 S	*	8/2018	Gerbelle .....	D3/318
2011/0185768 A1	*	8/2011	Pinchuk .....	A44C 5/18 63/3.1

OTHER PUBLICATIONS

Choice Handbag, "Madison West Triangular Metal Buckle Saffiano Versatile Cross Body Clutch", Accessed Oct. 18, 2018. (<https://www.choicehandbag.com/clutches/gw0959p-nude.html>) (Year: 2018).\*

Aliexpress, "Thinkthendo Triangle Shape Clasp Turn Lock Twist Locks for DIY Handbag Shoulder Bag Purse", First Review Jul. 11, 2018. (<https://www.aliexpress.com/item/THINKTHENDO-Triangle-Shape-Clasp-Turn-Lock-Twist-Locks-for-DIY-Handbag-Shoulder-Bag-Purse/32842686515.html>) (Year: 2018).\*

Design U.S. Appl. No. 29/603,587 for Handbag (Leonie), filed May 10, 2017.

Design U.S. Appl. No. 29/577,821 for Clasp (Locket Pave Gem), filed Sep. 15, 2016.

\* cited by examiner

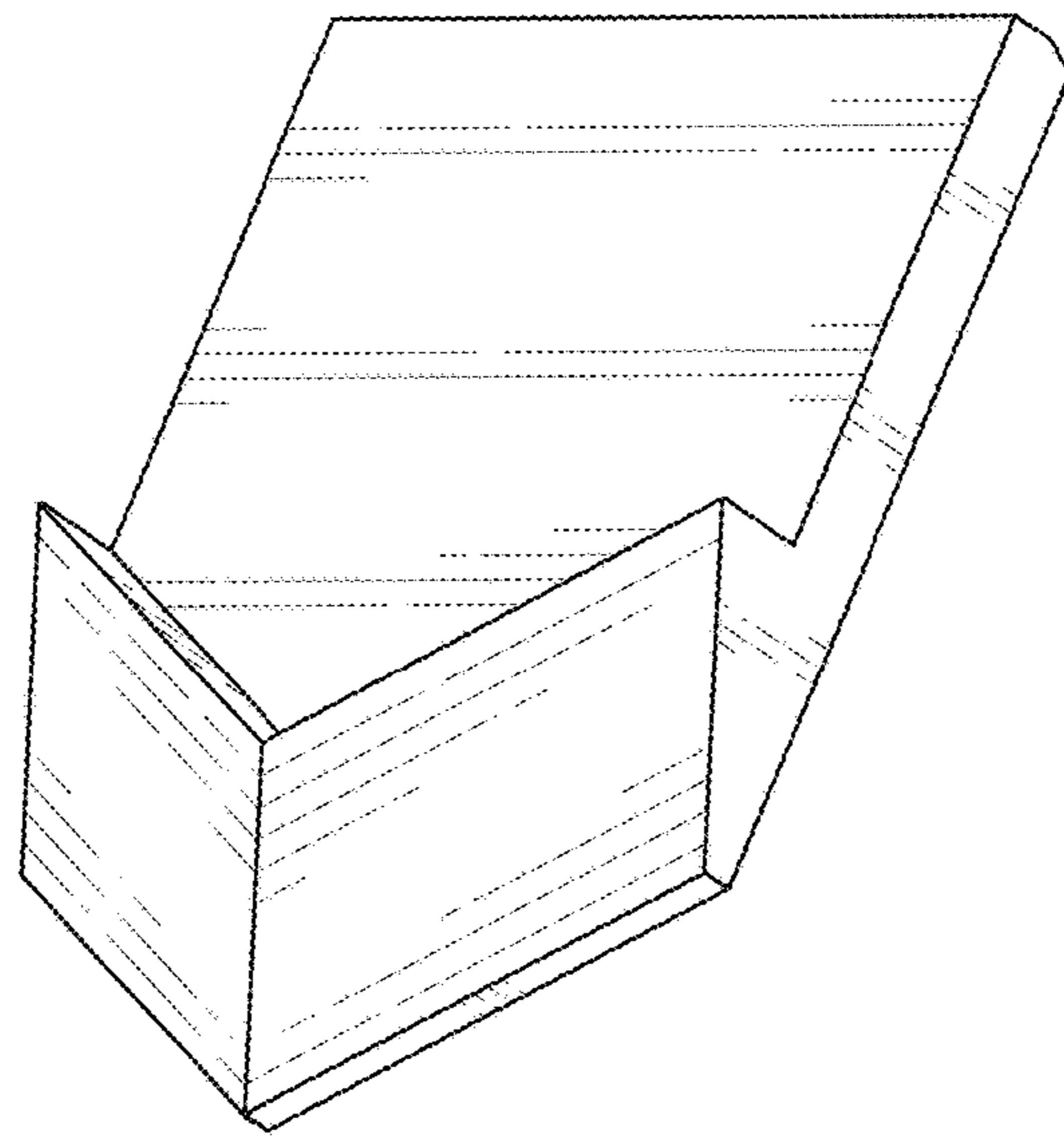


FIG. 1

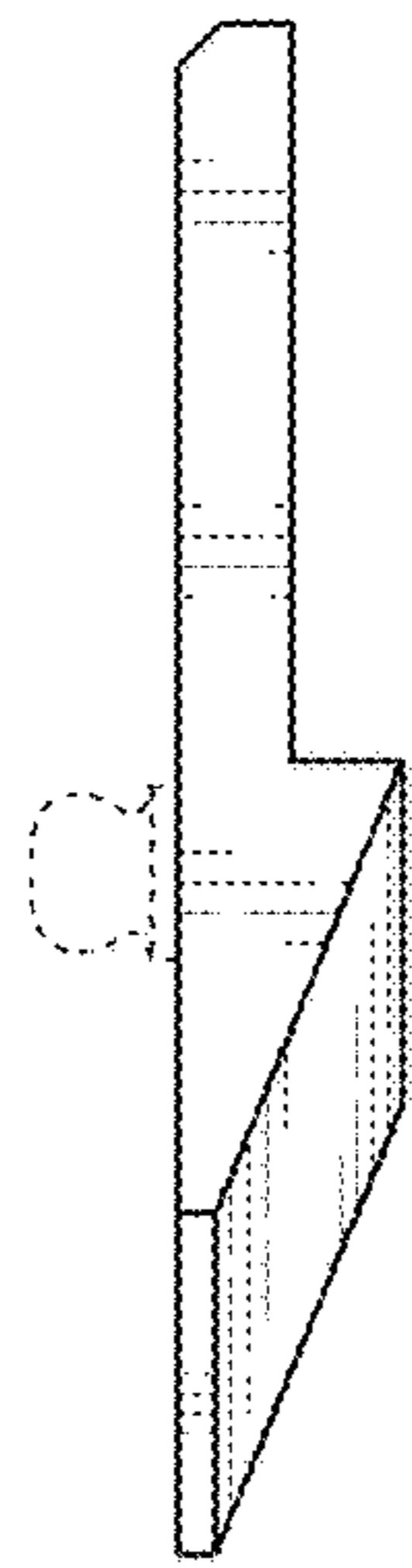


FIG. 2

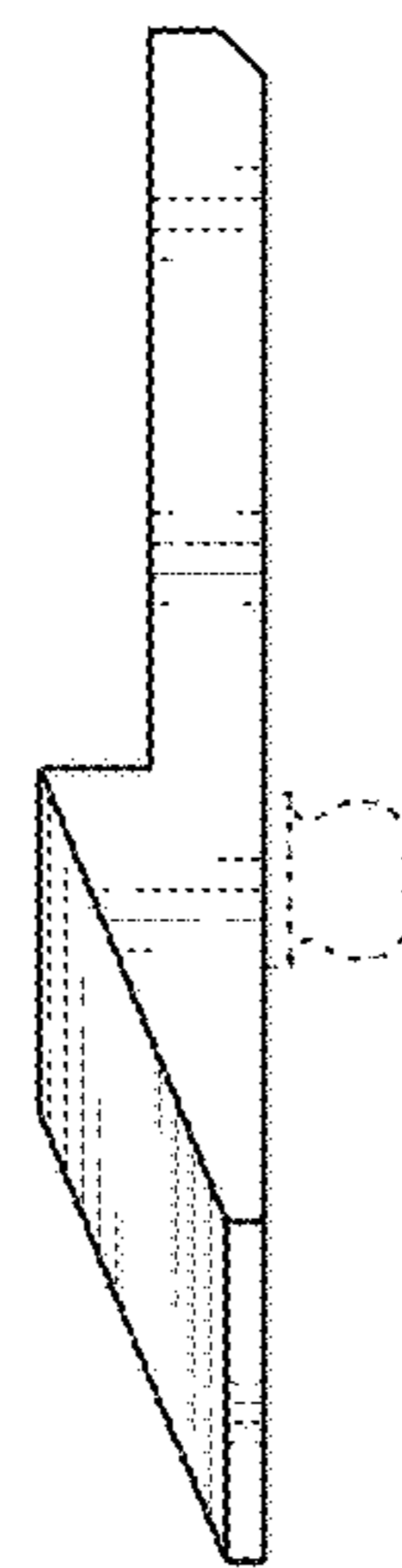


FIG. 3

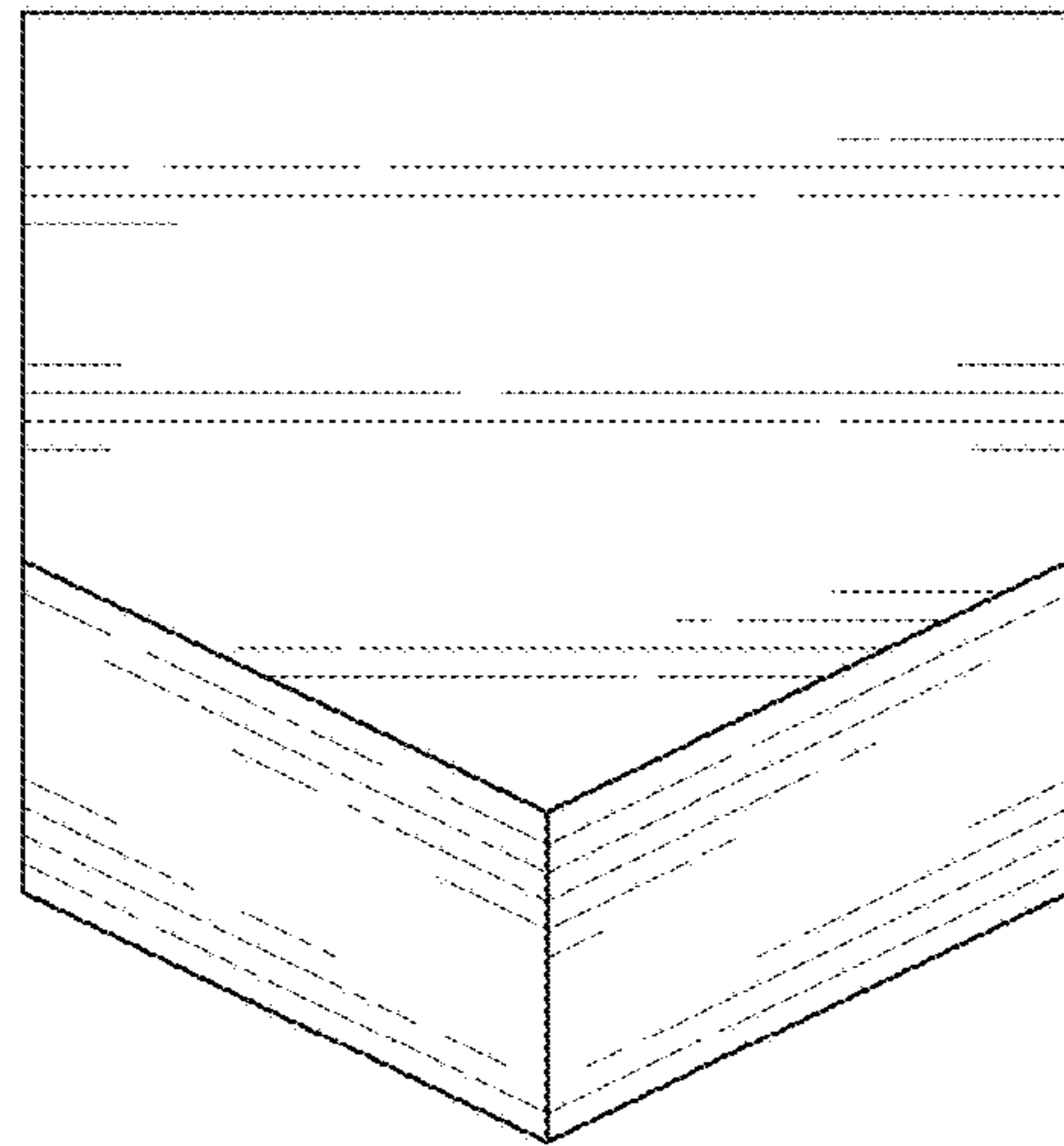


FIG. 4

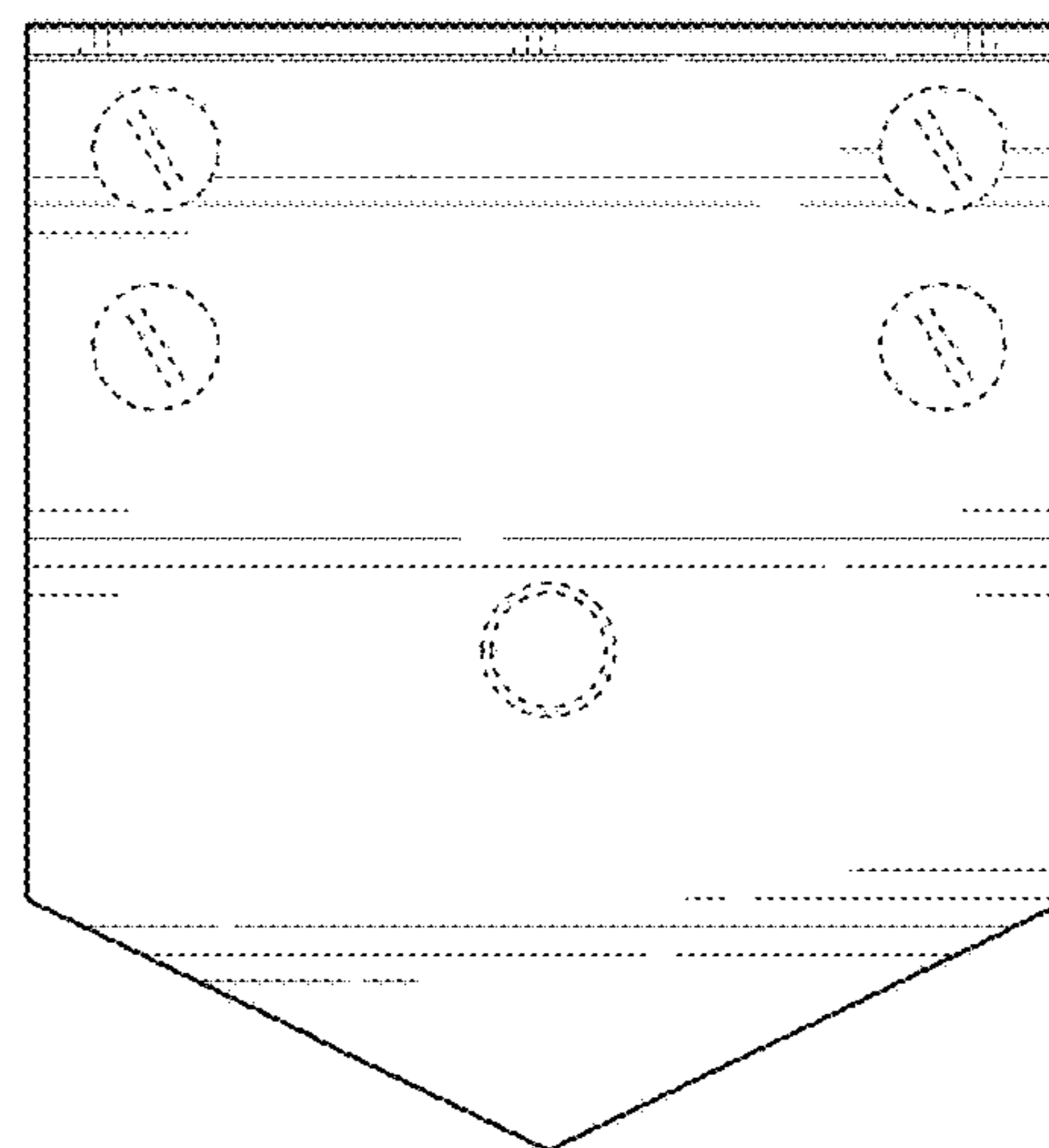


FIG. 5

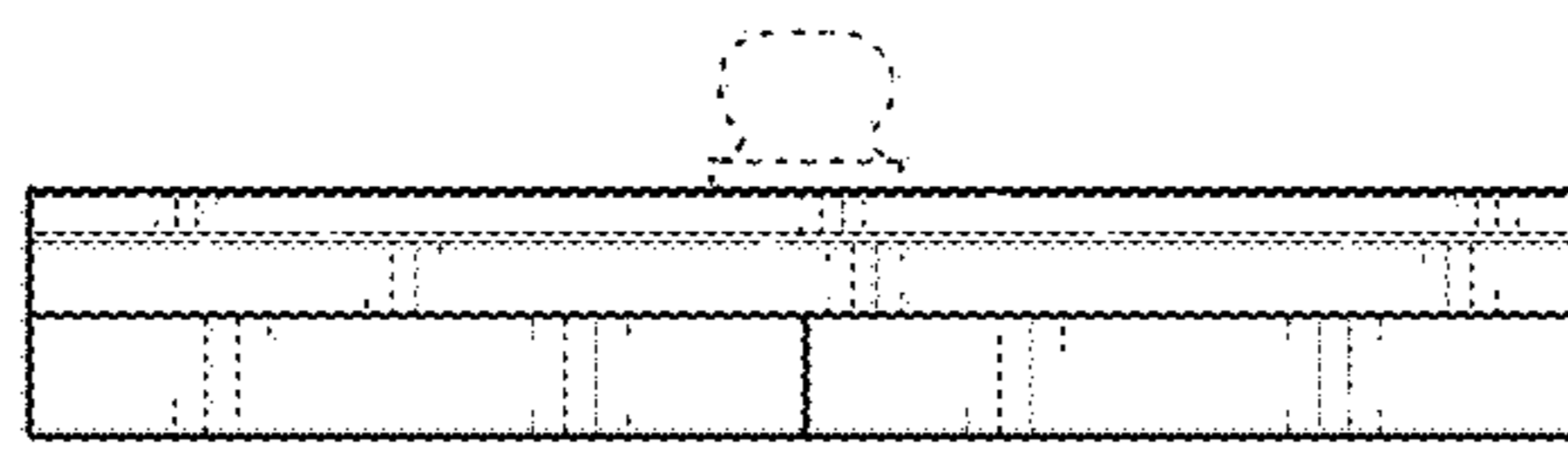


FIG. 6

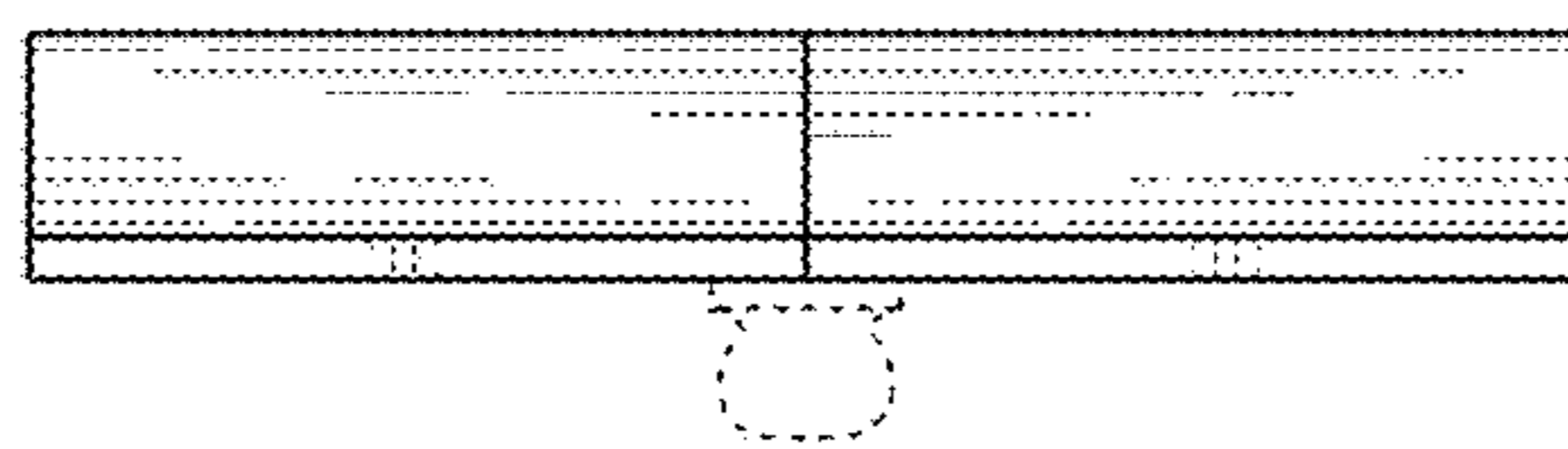


FIG. 7

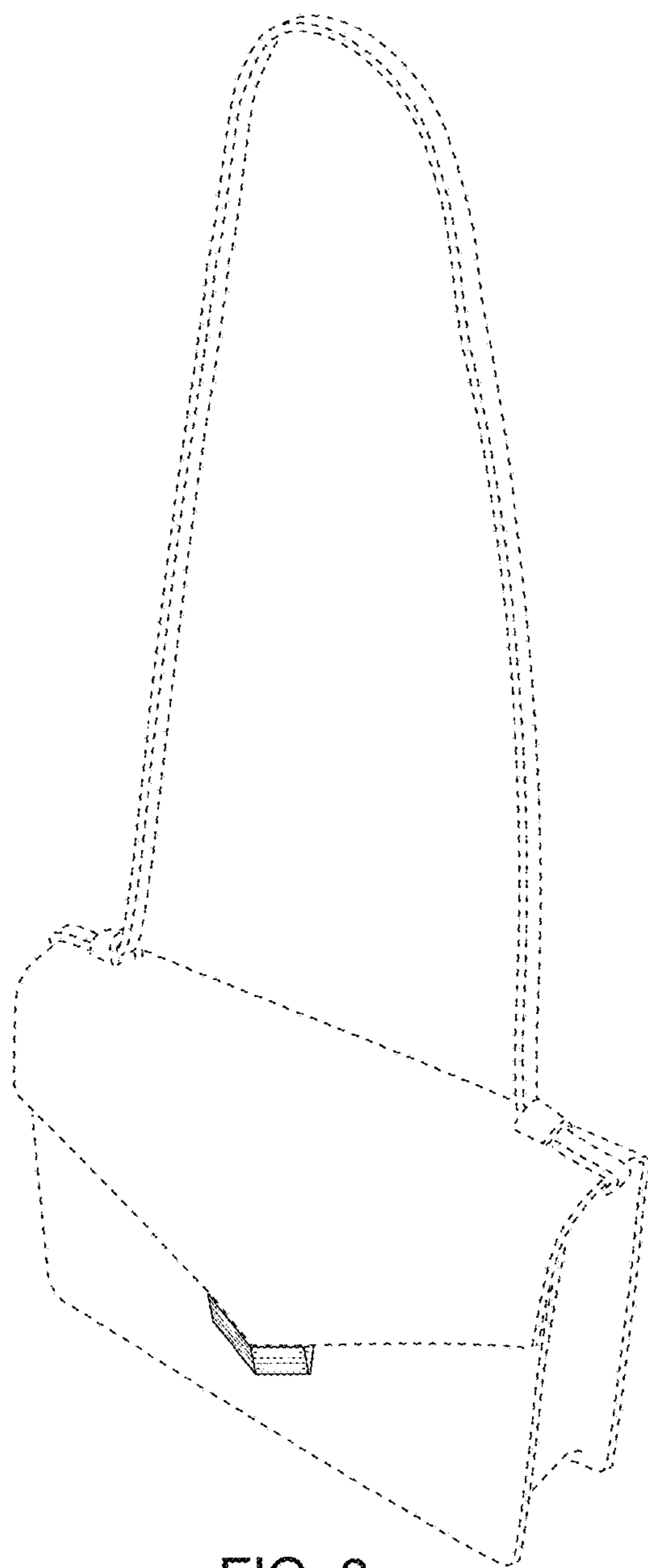


FIG. 8

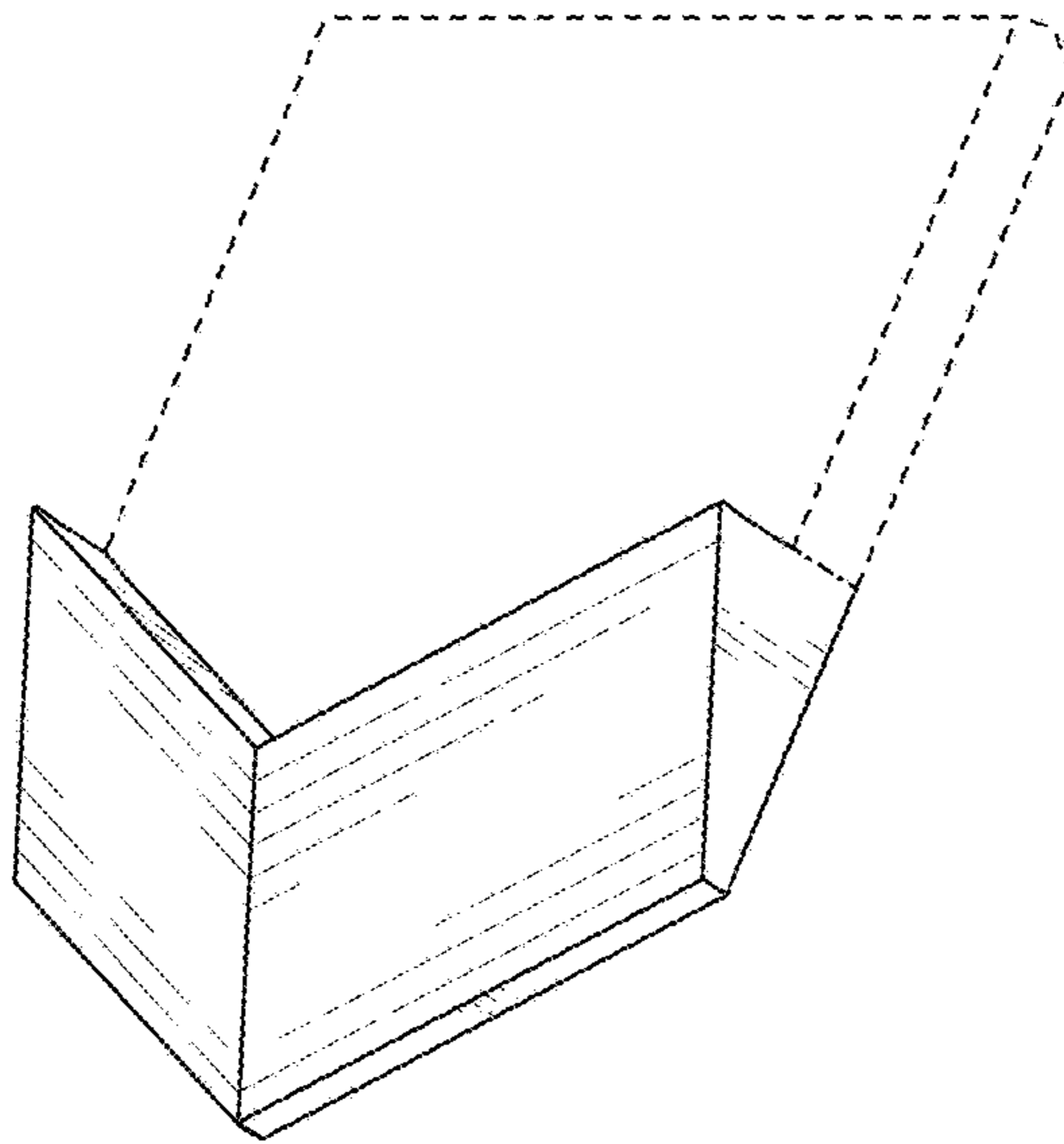


FIG. 9



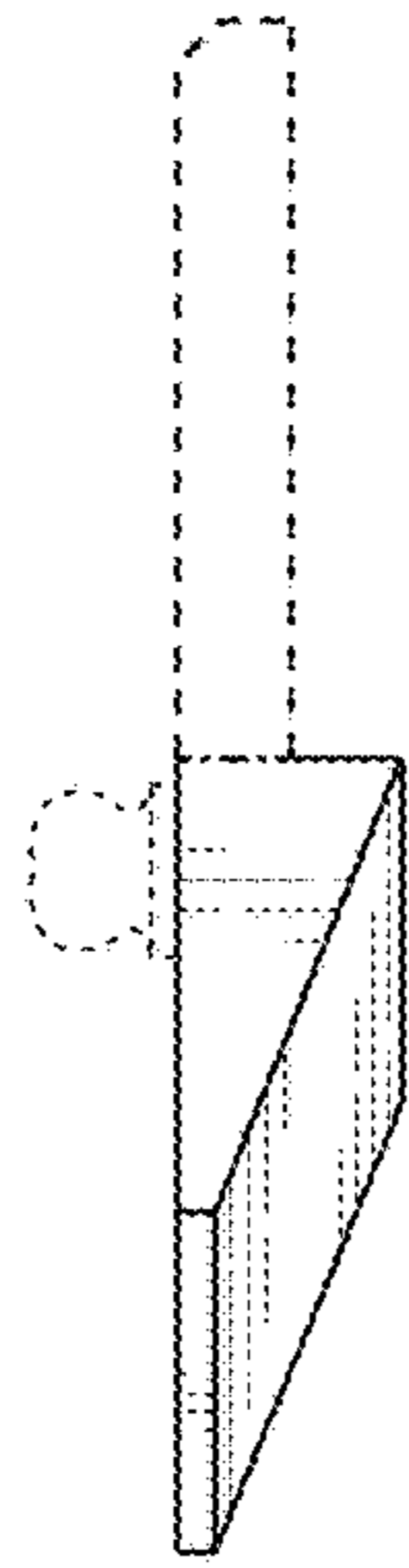


FIG. 10

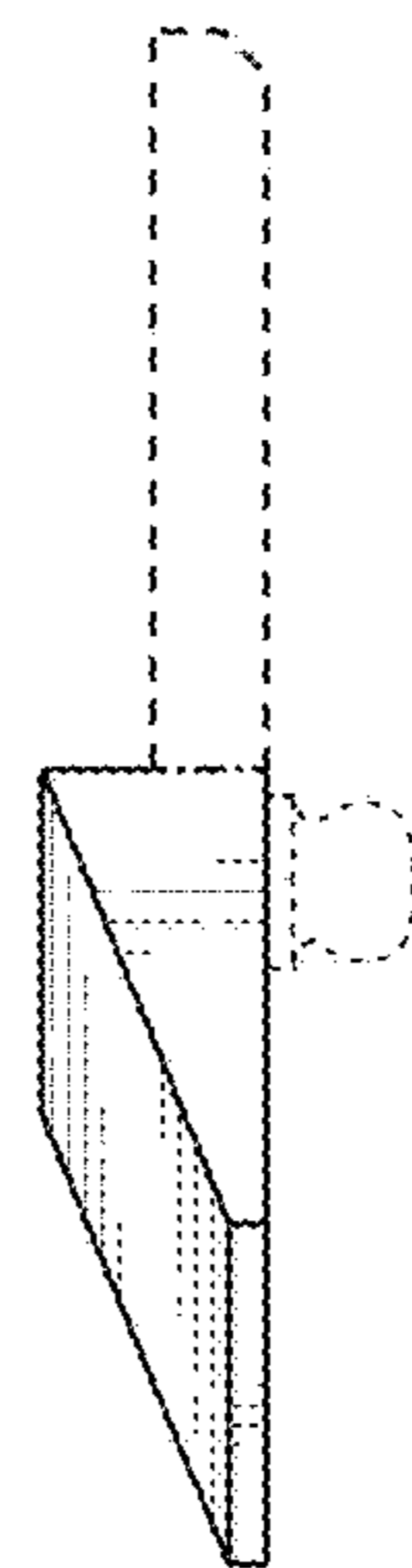


FIG. 11

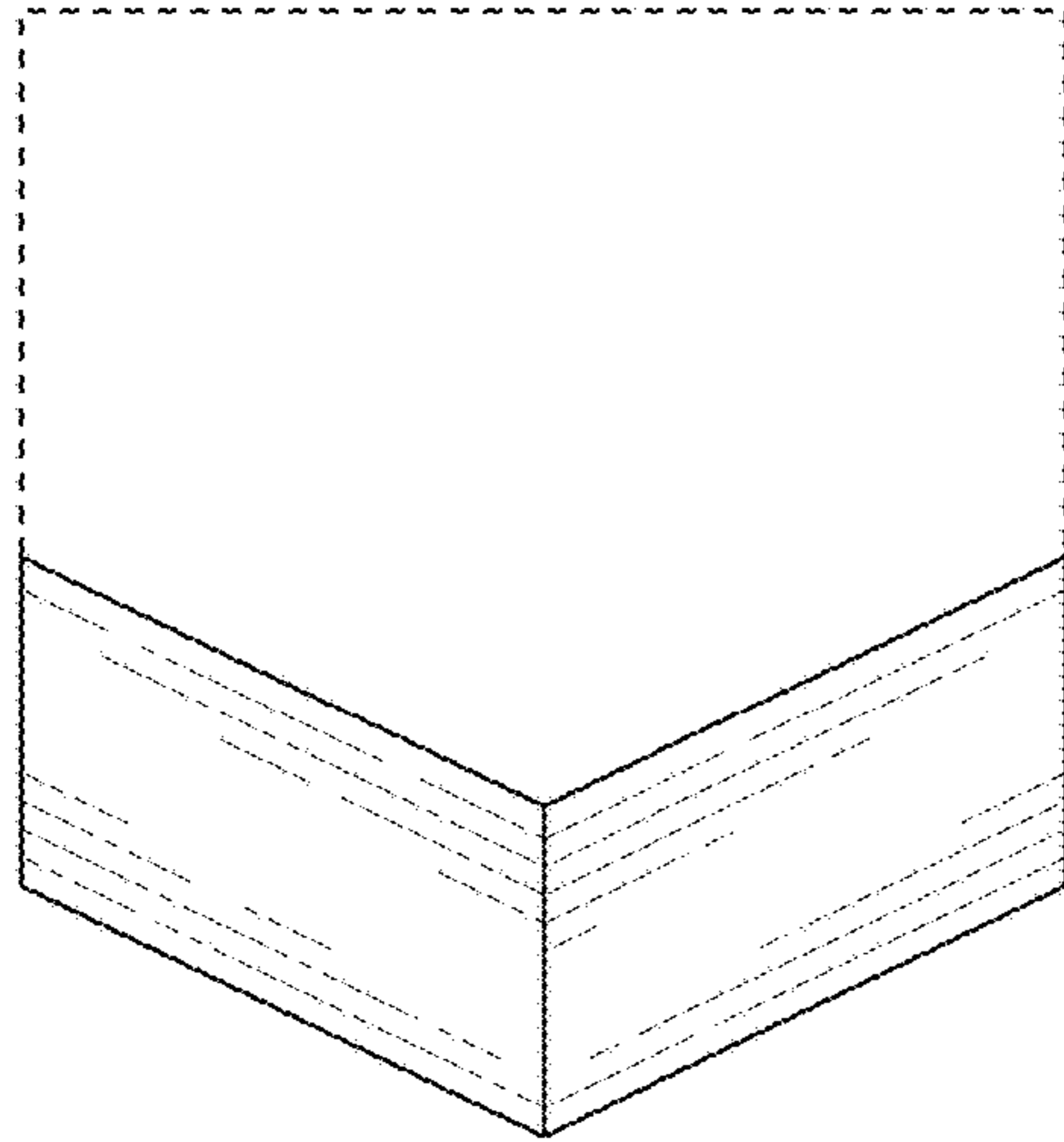


FIG. 12

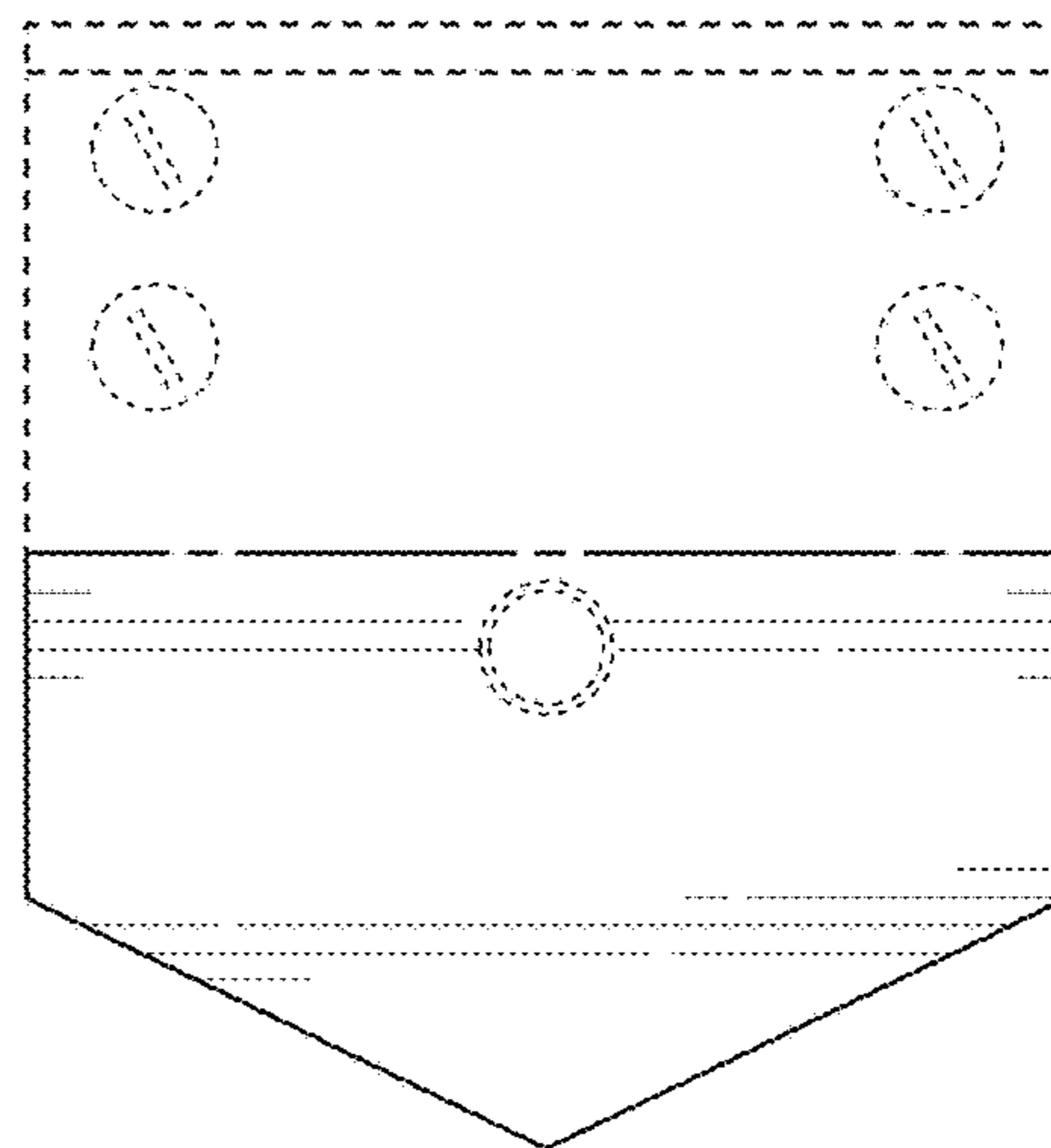


FIG. 13

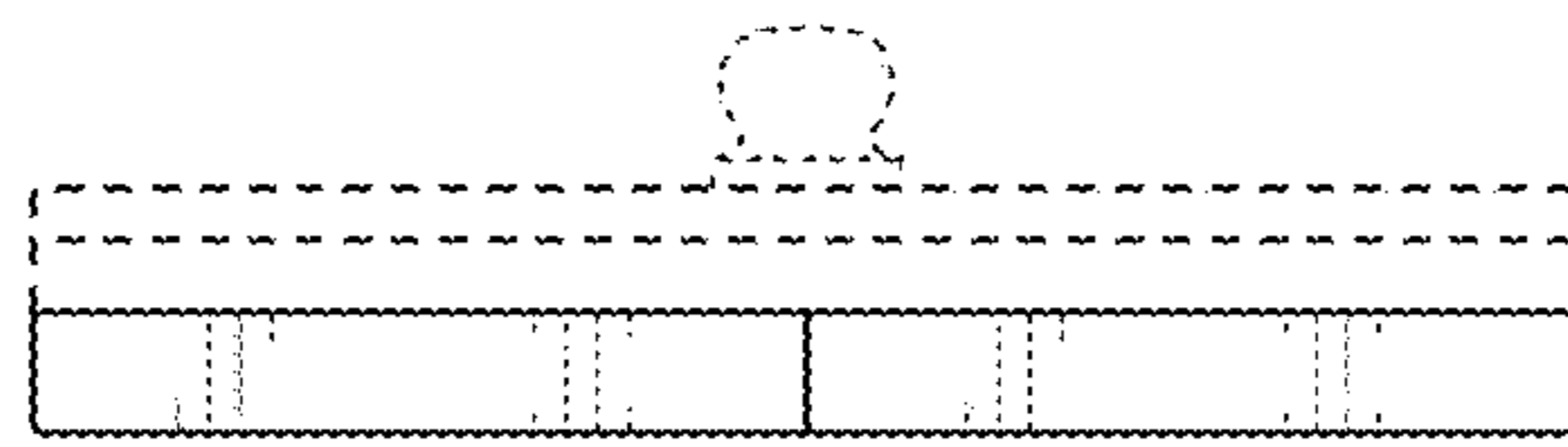


FIG. 14

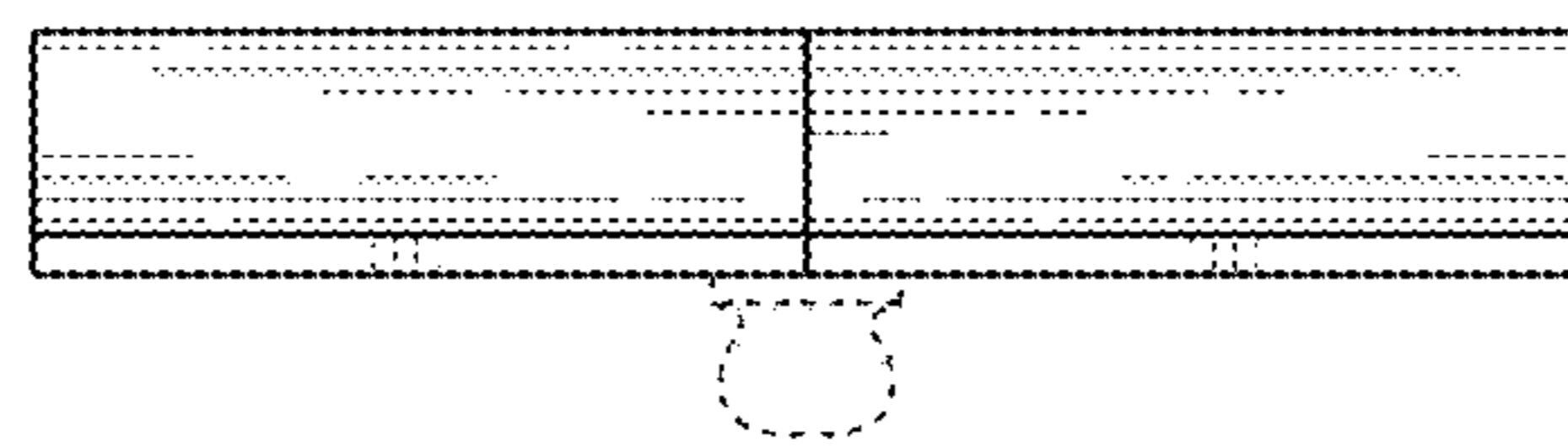


FIG. 15

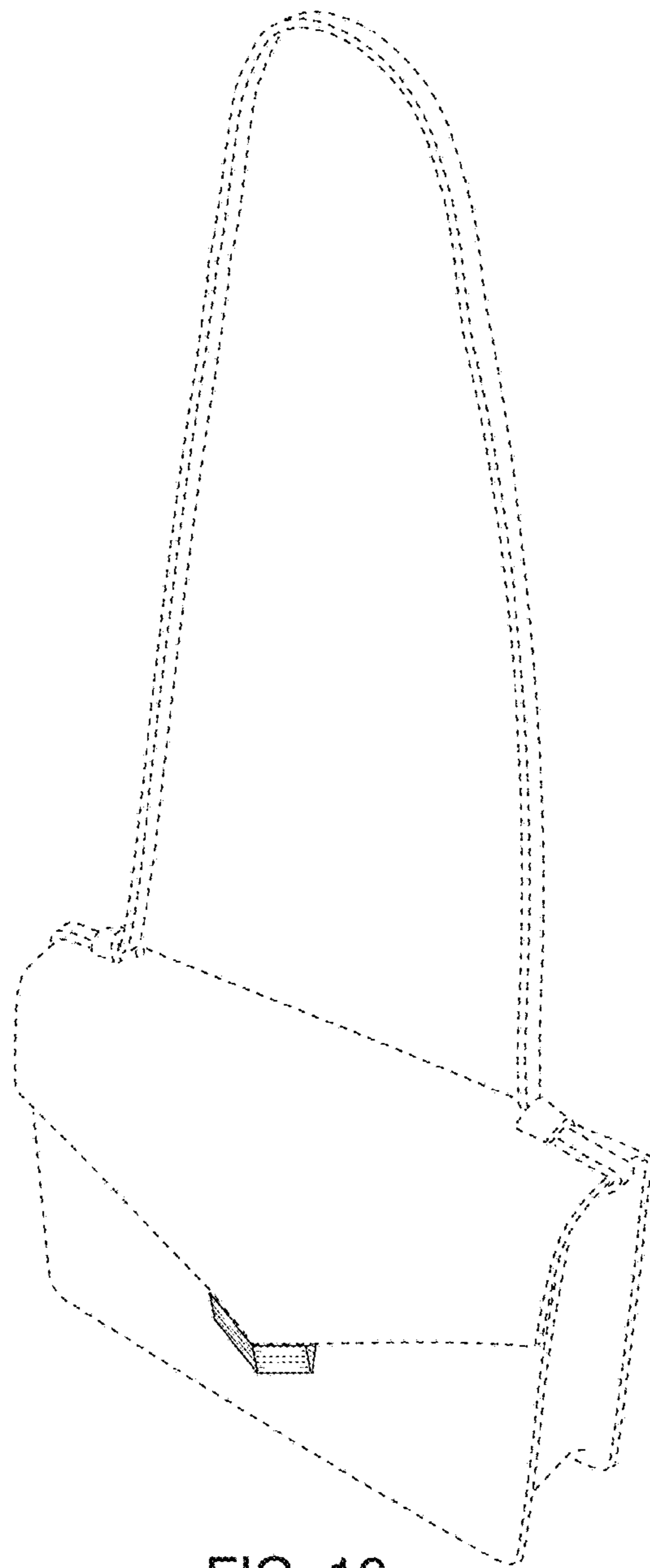


FIG. 16