



(12) **United States Design Patent**
McBride

(10) **Patent No.:** **US D840,685 S**
(45) **Date of Patent:** **** Feb. 19, 2019**

(54) **ROLL-UP ITEM ORGANIZER AND TOTE**

(71) Applicant: **EARLYBIRD BLUE, INC.**, San Diego, CA (US)

(72) Inventor: **Julie Marie McBride**, San Diego, CA (US)

(73) Assignee: **EARLYBIRD BLUE, LLC**, Charlotte, NC (US)

(**) Term: **15 Years**

(21) Appl. No.: **29/619,360**

(22) Filed: **Sep. 28, 2017**

Related U.S. Application Data

(63) Continuation-in-part of application No. 29/607,928, filed on Jun. 16, 2017.

(51) **LOC (11) Cl.** **03-01**

(52) **U.S. Cl.**
USPC **D3/299**

(58) **Field of Classification Search**
USPC D6/315–328, 513, 514; D3/283, 299, D3/303
CPC .. A47G 25/746; A47G 25/36; A47G 25/0685; A47G 25/005; A47G 25/38; A47G 25/0664; A47G 25/90; A47G 29/00; A47G 25/56; A47F 7/08; A47F 5/0006; A47F 7/00; A47F 7/19; A47F 7/24; A47F 5/10; A47F 5/0043; A47B 61/04; A47B 96/027; A47B 61/003; A47B 87/0207; A47B 47/00; A47B 45/00
See application file for complete search history.

(56) **References Cited**

U.S. PATENT DOCUMENTS

1,526,122 A * 2/1925 Dau A45C 11/26 206/479
4,735,246 A * 4/1988 Niehaus A45C 7/0095 206/479

D297,283 S * 8/1988 Gray D3/299
4,821,883 A * 4/1989 Miller A45C 7/0095 206/225
D321,789 S * 11/1991 Martorella D3/293
(Continued)

OTHER PUBLICATIONS

Confirmation of an Application for a Community Design issued on Apr. 14, 2014 in RCD Application No. 002446898 (10 pages).

Primary Examiner — Lauren R Calve

(74) *Attorney, Agent, or Firm* — Northstar Law Group; Thomas J. Bassolino

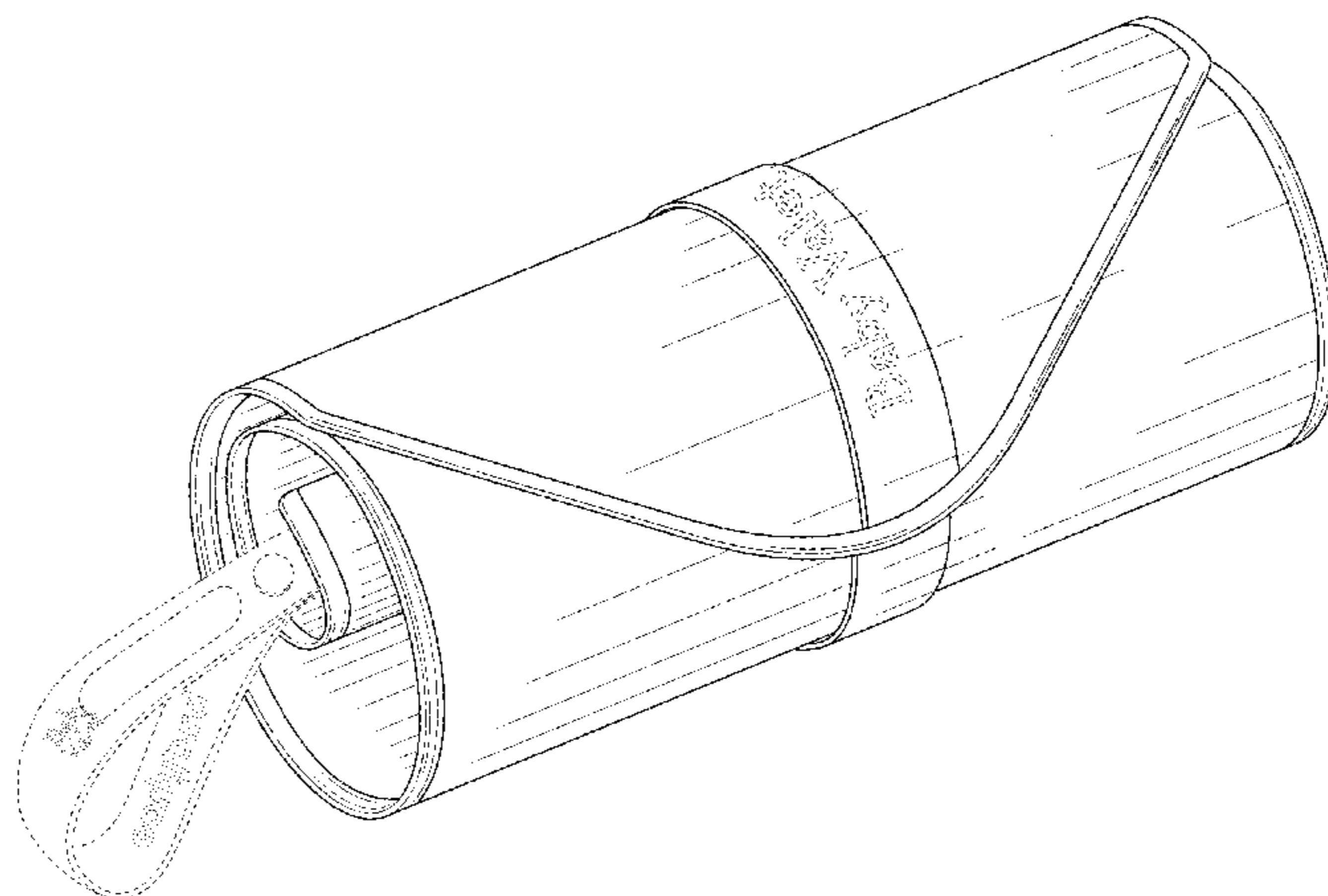
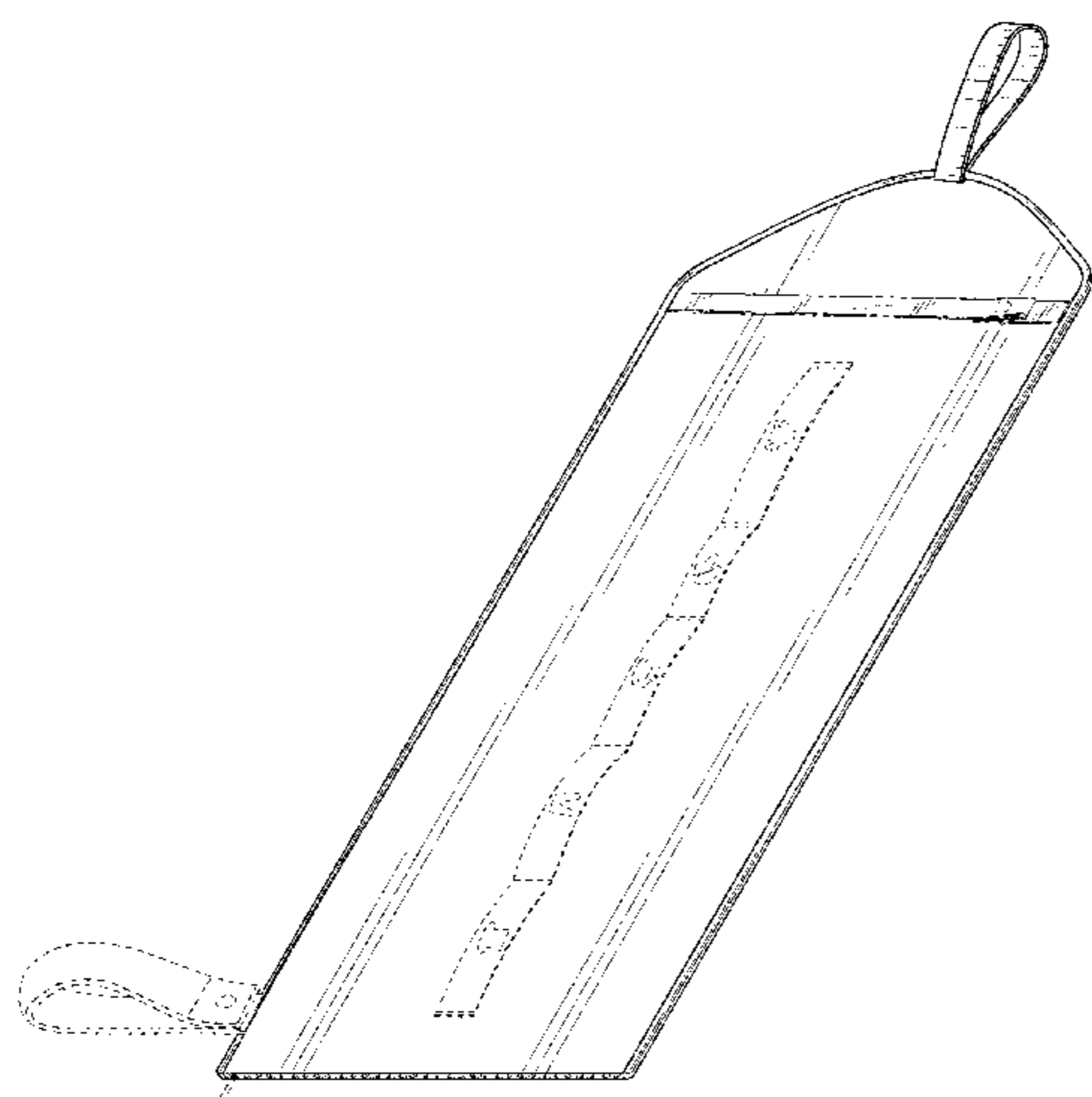
(57) **CLAIM**

The ornamental design for a roll-up item organizer and tote, as shown and described.

DESCRIPTION

FIG. 1 is a front perspective view of a roll-up item organizer and tote;
FIG. 2 is a front view thereof;
FIG. 3 is a rear view thereof;
FIG. 4 is a left side view thereof;
FIG. 5 is a right side view thereof;
FIG. 6 is a top view thereof;
FIG. 7 is a bottom view thereof;
FIG. 8 is a front perspective view of the roll-up item organizer and tote shown in an alternate configuration and in environmental use;
FIG. 9 is a rear view of the roll-up item organizer and tote shown with an unclaimed optional pattern thereon; and,
FIG. 10 is a top perspective view of the roll-up item organizer and tote shown in a rolled-up configuration with an optional logo shown thereon.
The broken lines showing portions of the design are for illustrative purposes only and form no part of the claimed design.

1 Claim, 7 Drawing Sheets



(56)

References Cited

U.S. PATENT DOCUMENTS

D466,686 S * 12/2002 Brookhouse D3/206
 6,763,943 B1 * 7/2004 Domyan D05C 1/065
 206/388
 D578,802 S * 10/2008 Russell D6/682.4
 D595,918 S * 7/2009 Walter, IV D34/27
 D603,165 S * 11/2009 Losiewicz D3/299
 7,806,124 B2 * 10/2010 Mackinder A45C 11/26
 132/222
 D627,163 S * 11/2010 Kittrell D3/283
 D627,167 S * 11/2010 Kittrell D3/299
 D631,244 S * 1/2011 Ferrence D3/205
 D646,485 S * 10/2011 Mason D3/284
 8,479,918 B2 * 7/2013 Howard A61B 42/50
 206/278
 D719,748 S * 12/2014 Higbie D6/328
 D720,537 S * 1/2015 Taller D3/285
 D795,581 S * 8/2017 Cruz D3/303
 2004/0222125 A1 * 11/2004 Meing A45C 11/26
 206/581
 2009/0127045 A1 * 5/2009 Williams A45C 7/0059
 190/107
 2012/0111741 A1 * 5/2012 Walters A45C 11/26
 206/6.1
 2013/0256159 A1 * 10/2013 Walsh A45C 11/16
 206/6.1

* cited by examiner

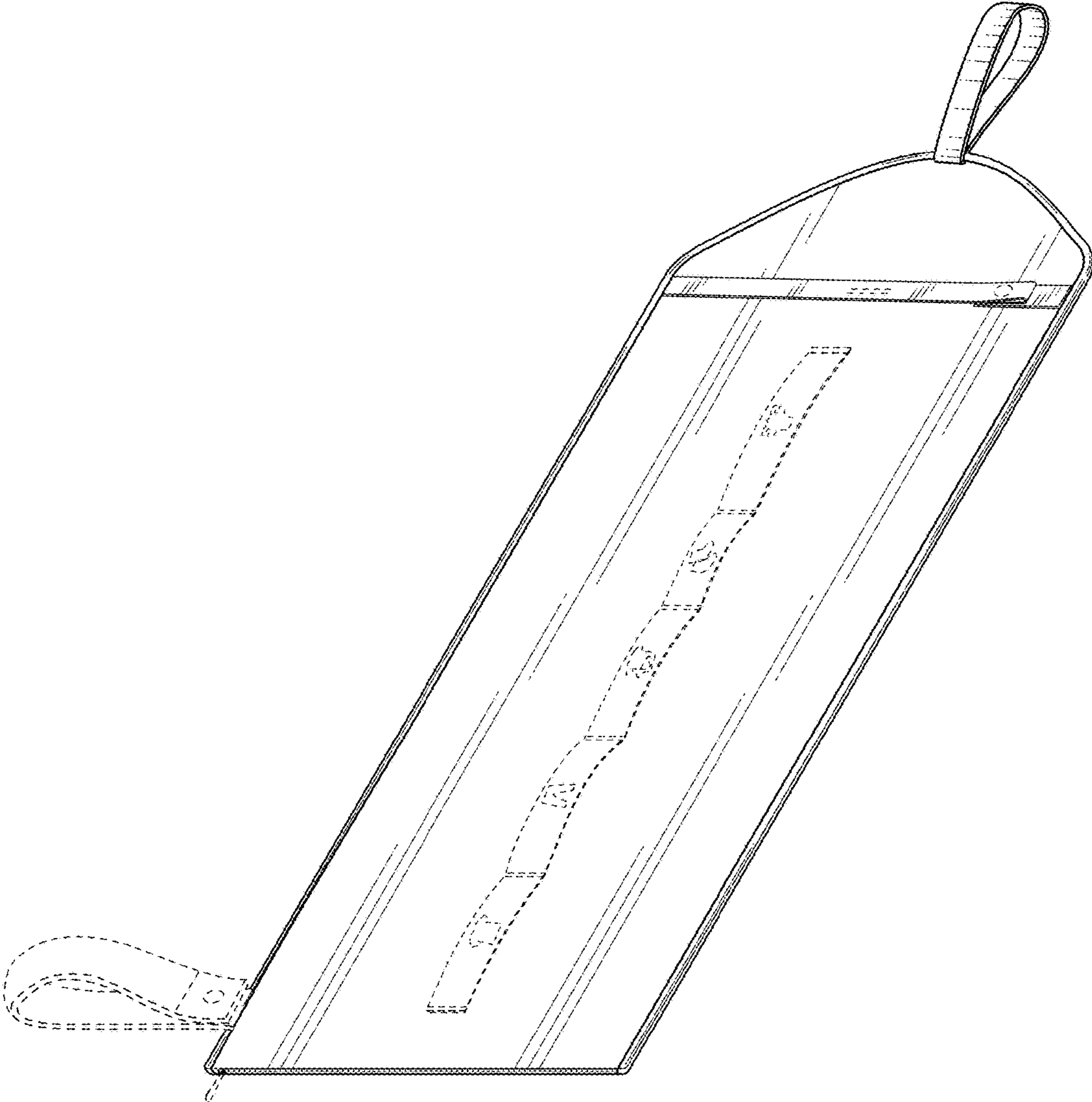


FIG. 1

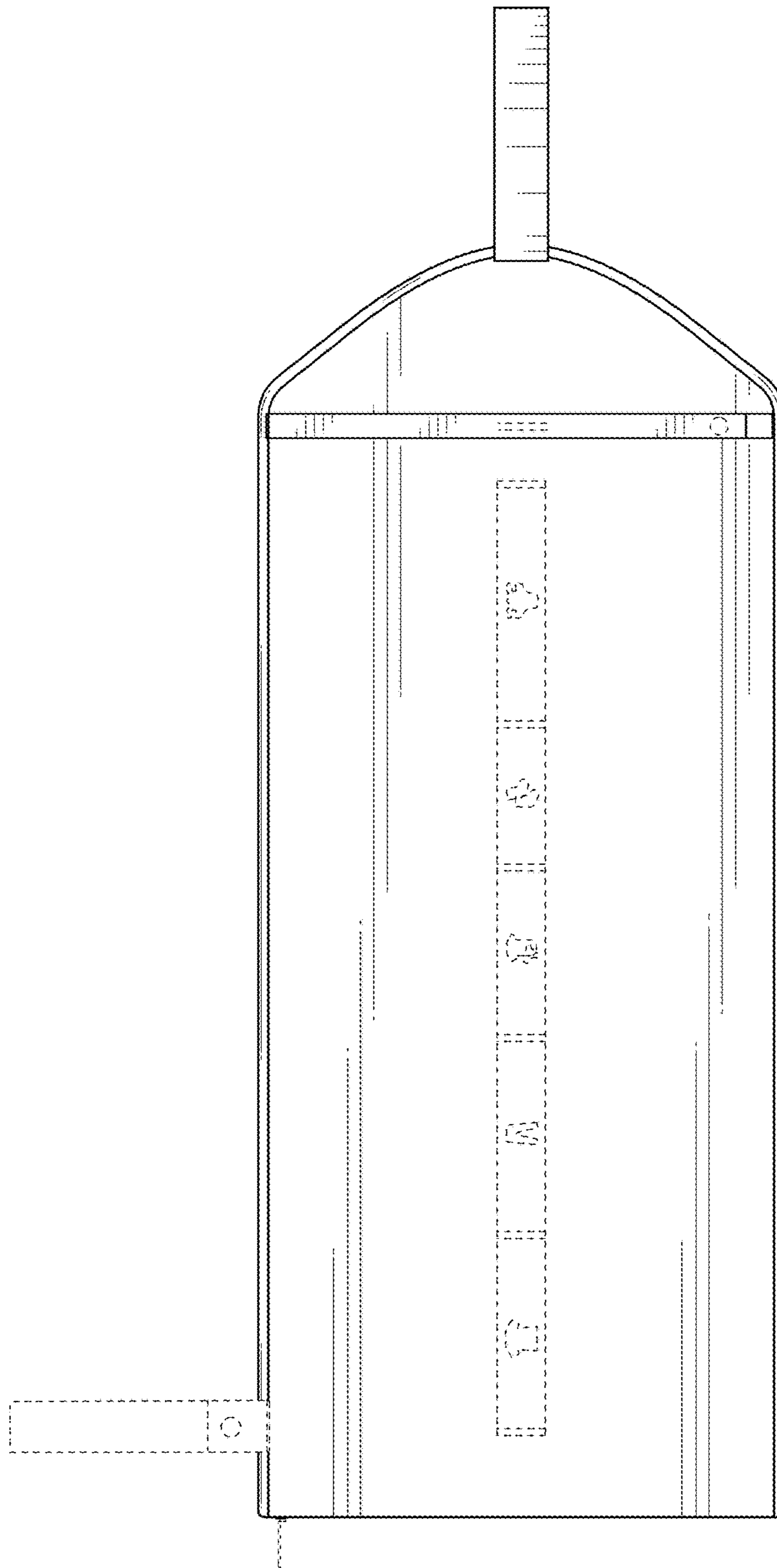


FIG. 2

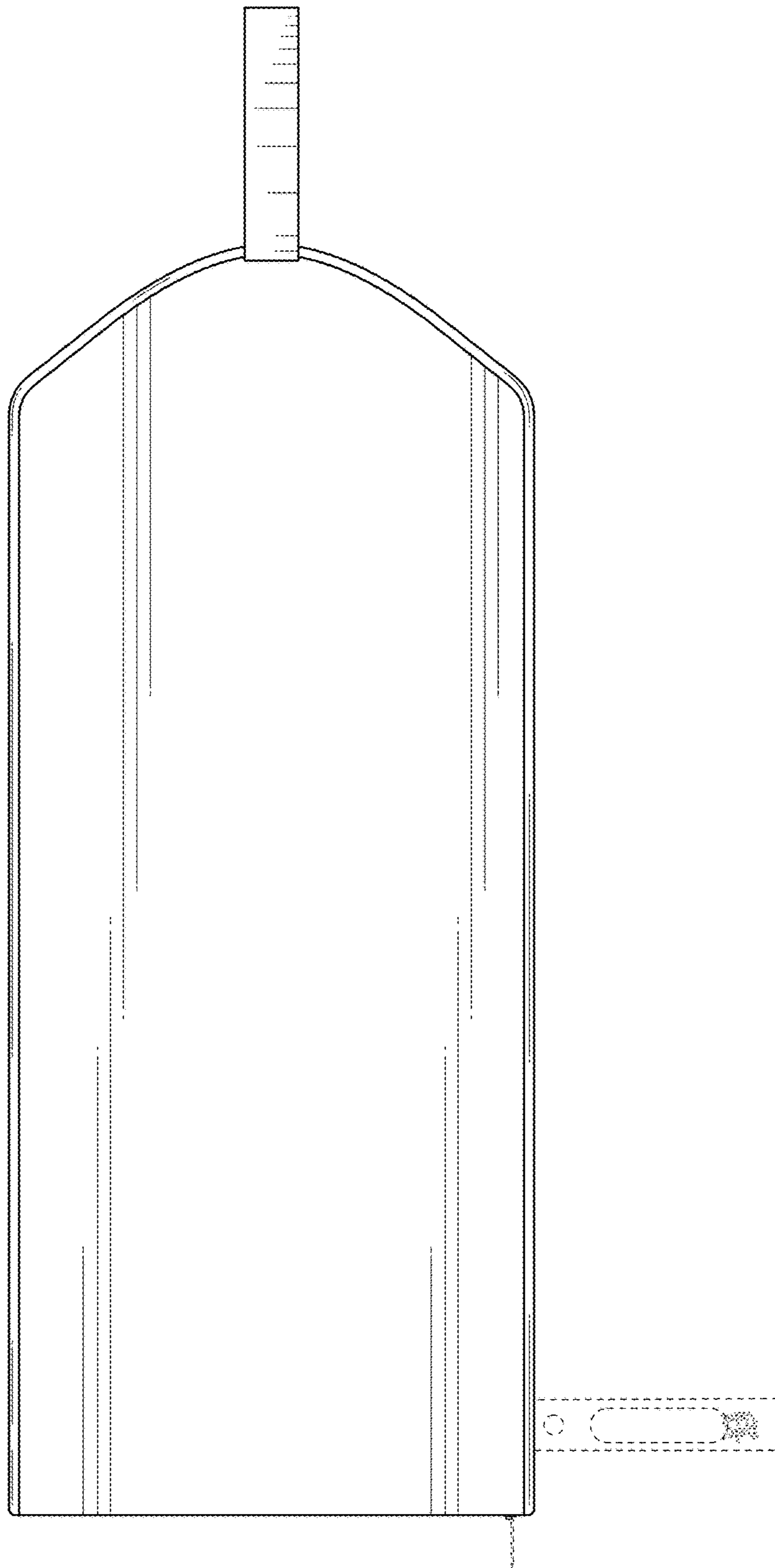


FIG. 3

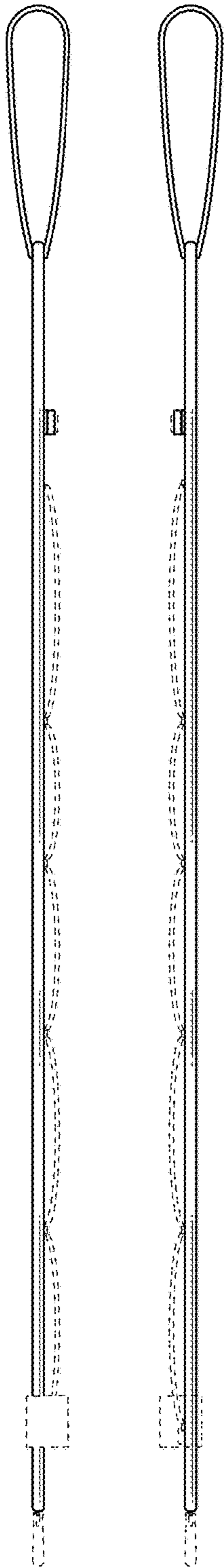


FIG. 4

FIG. 5

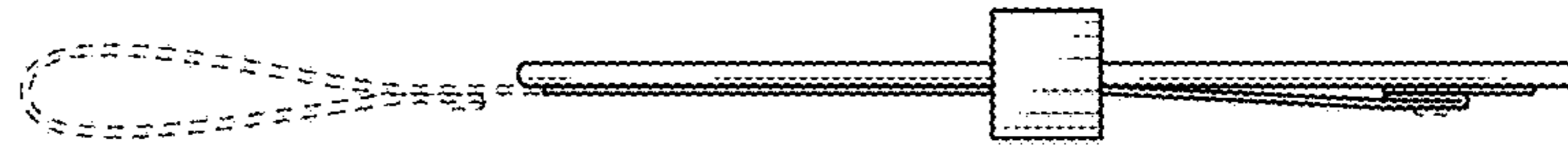


FIG. 6



FIG. 7

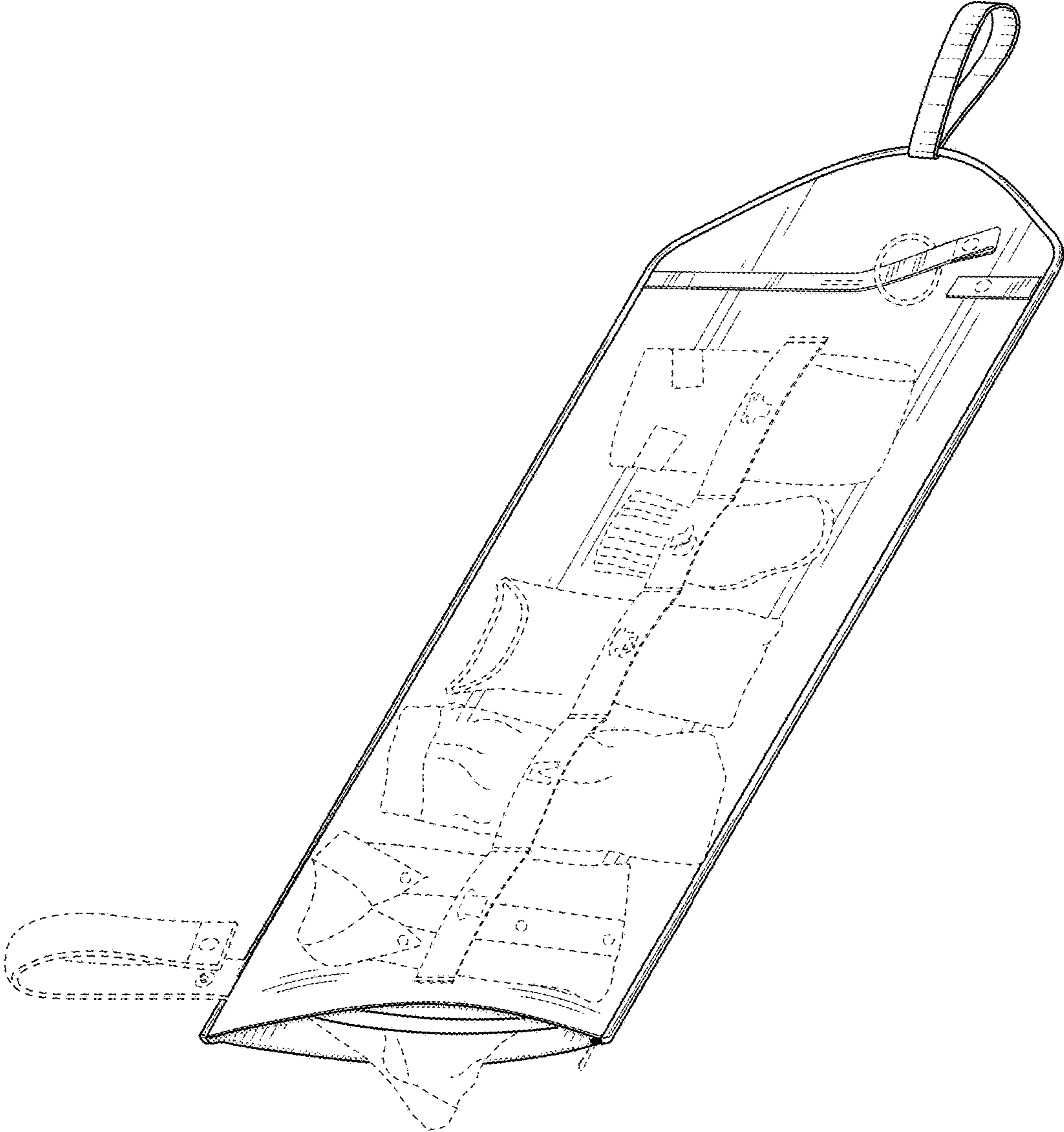


FIG. 8

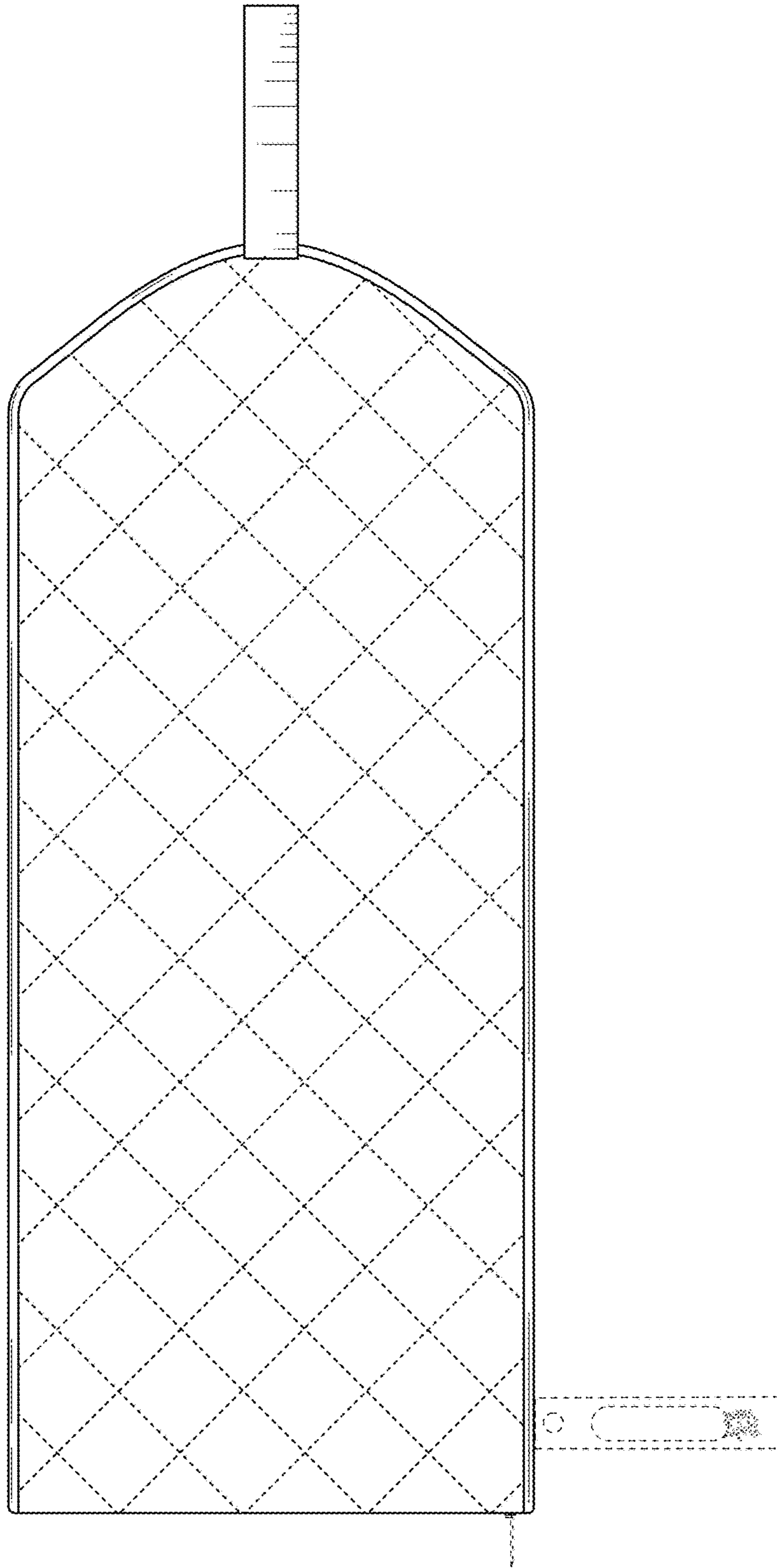


FIG. 9

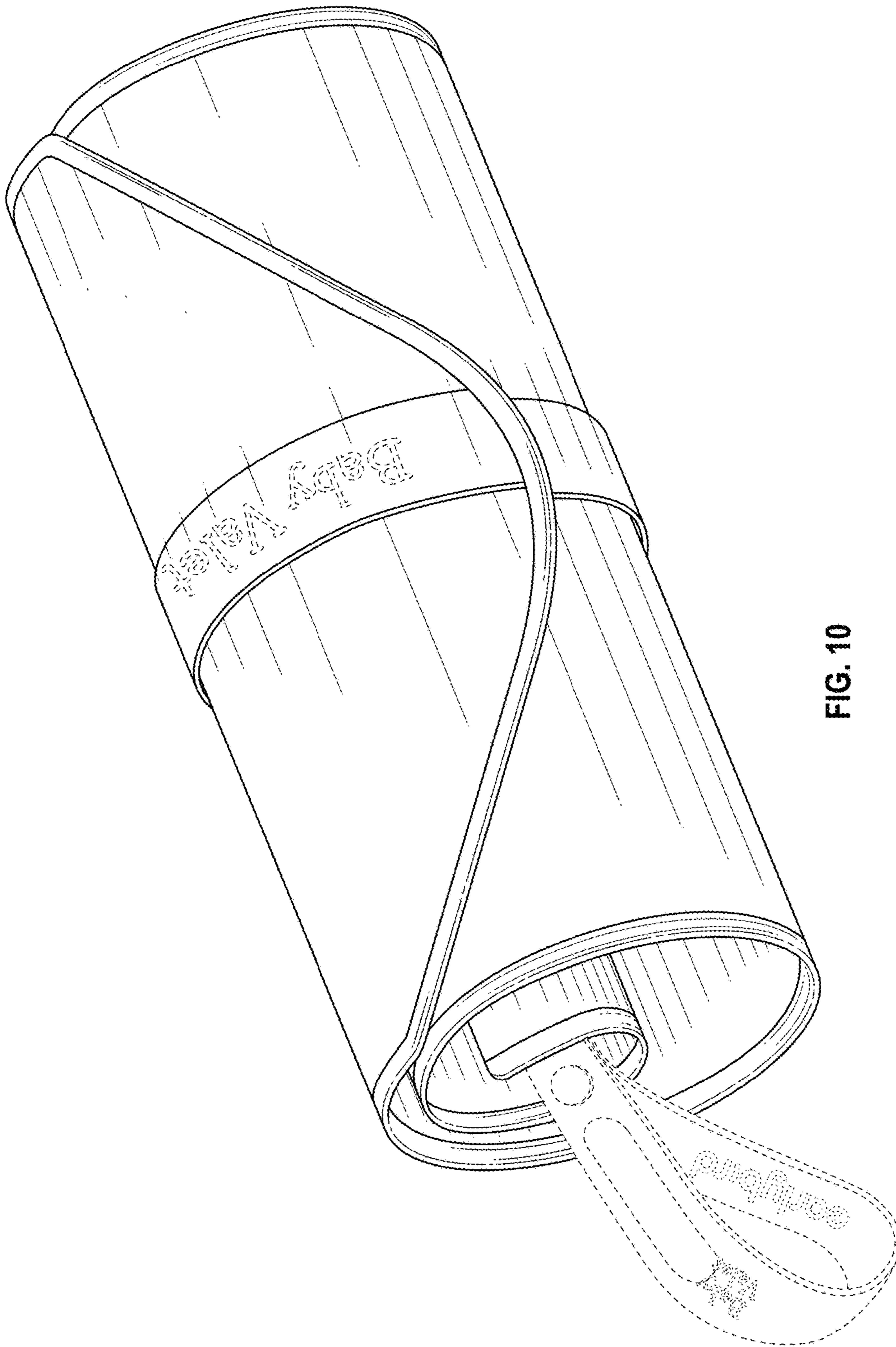


FIG. 10