



US00D840683S

(12) **United States Design Patent** (10) **Patent No.:** **US D840,683 S**
Hue (45) **Date of Patent:** **** Feb. 19, 2019**

(54) **WHEELED CASE**
(71) Applicant: **SINELCO INTERNATIONAL BVBA**,
Ronse (BE)
(72) Inventor: **Christian Hue**, Ronse (BE)
(**) Term: **15 Years**
(21) Appl. No.: **35/501,641**
(22) Filed: **Jul. 13, 2016**

D554,860 S * 11/2007 Udall D3/279
D554,861 S * 11/2007 Udall D3/279
D554,862 S * 11/2007 Hsieh D3/279
D644,838 S * 9/2011 Tong D3/279
D668,454 S * 10/2012 Blanchard D3/279
D711,646 S * 8/2014 Ke D3/279
D712,142 S * 9/2014 Bayley D3/279
D727,621 S * 4/2015 Lai D3/279
D731,181 S * 6/2015 Majeau D3/279
D746,059 S * 12/2015 Gross D3/303
D769,619 S * 10/2016 Sheikh D3/273
D772,571 S * 11/2016 Sijmons D3/279
D793,728 S * 8/2017 Faibish D3/279
D796,838 S * 9/2017 Sijmons D3/279

(80) **Hague Agreement Data**

Int. Filing Date: **Jul. 13, 2016**
Int. Reg. No.: **DM/092541**
Int. Reg. Date: **Jul. 13, 2016**
Int. Reg. Pub. Date: **Sep. 30, 2016**

FOREIGN PATENT DOCUMENTS

WO WO2006/113926 10/2006

* cited by examiner

Primary Examiner — Manpreet S Matharu

Assistant Examiner — Holly E Thurman

(74) *Attorney, Agent, or Firm* — Polsinelli PC; Adam C. Rehm

(51) **LOC (11) Cl.** **03-01**

(52) **U.S. Cl.**
USPC **D3/279**

(58) **Field of Classification Search**
USPC D3/273, 276, 279, 281, 282, 289, 291,
D3/272, 902
CPC A45C 5/00; A45C 5/03; A45C 5/04; A45C
5/14; A45C 2005/037; A45C 2005/032;
A45C 2005/035; A45C 7/0027; A45C
7/0018

See application file for complete search history.

(57) **CLAIM**

The ornamental design for a wheeled case, as shown and described.

DESCRIPTION

Figure 1.1 is a perspective view of a wheeled case showing the new design.

Figure 1.2 is a left side view of the wheeled case.

Figure 1.3 is a back view of the wheeled case.

Figure 1.4 is a right side view of the wheeled case.

Figure 1.5 is a bottom view of the wheeled case.

Figure 1.6 is a front view of the wheeled case.

Figure 1.7 is a top view of the wheeled case.

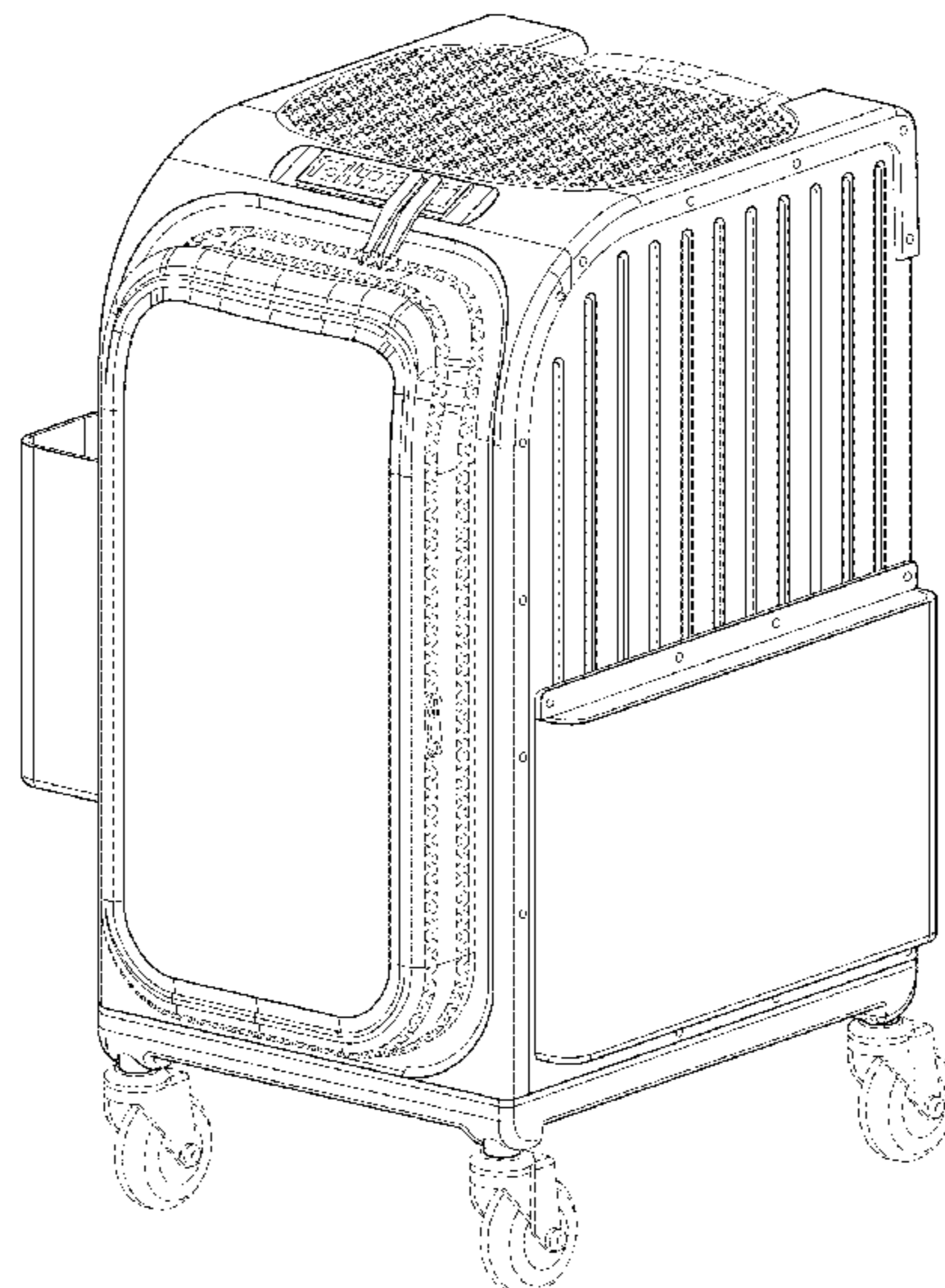
The broken lines shown in the Figures show portions of the wheeled case that form no part of the claimed design.

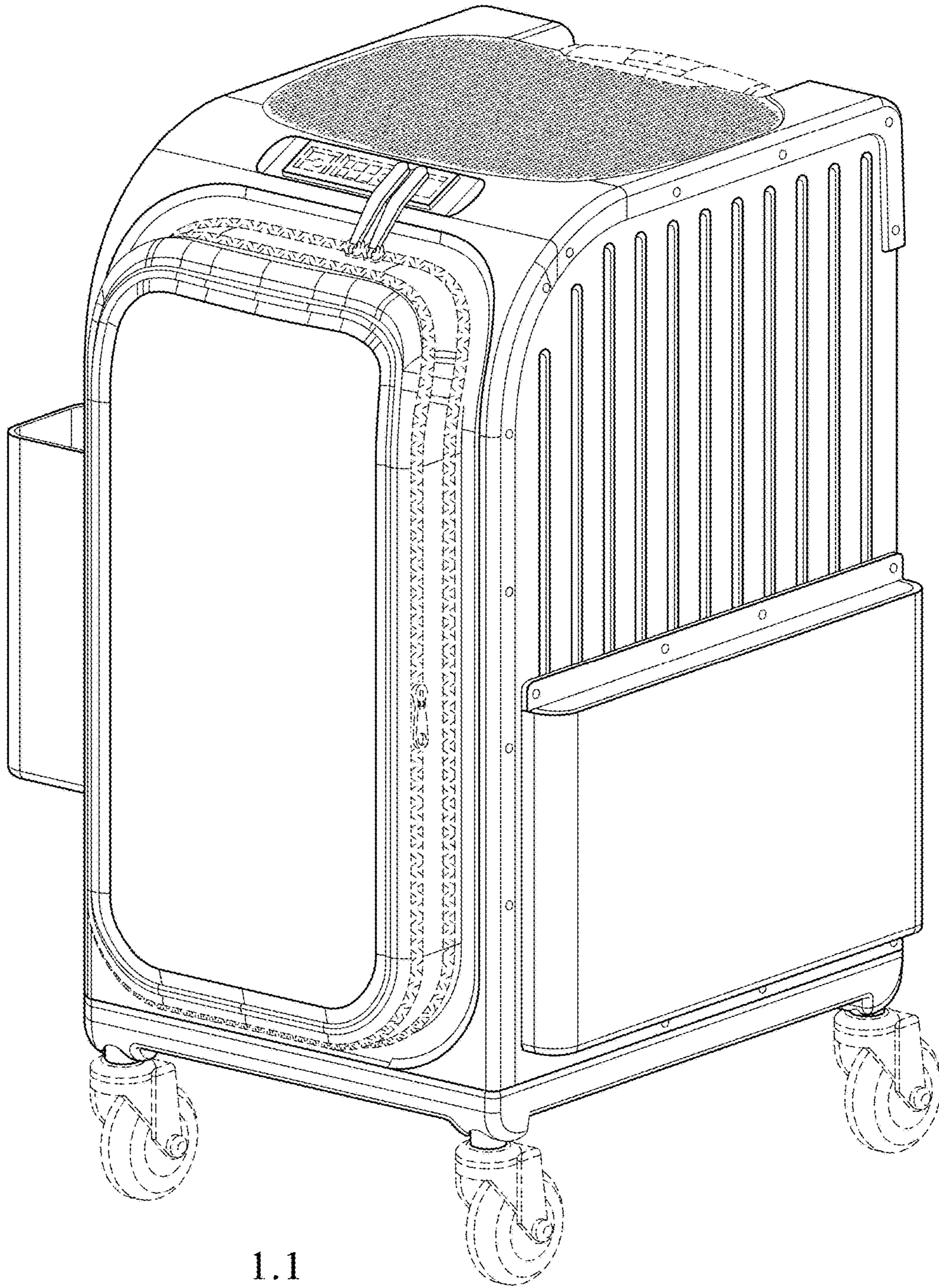
(56) **References Cited**

U.S. PATENT DOCUMENTS

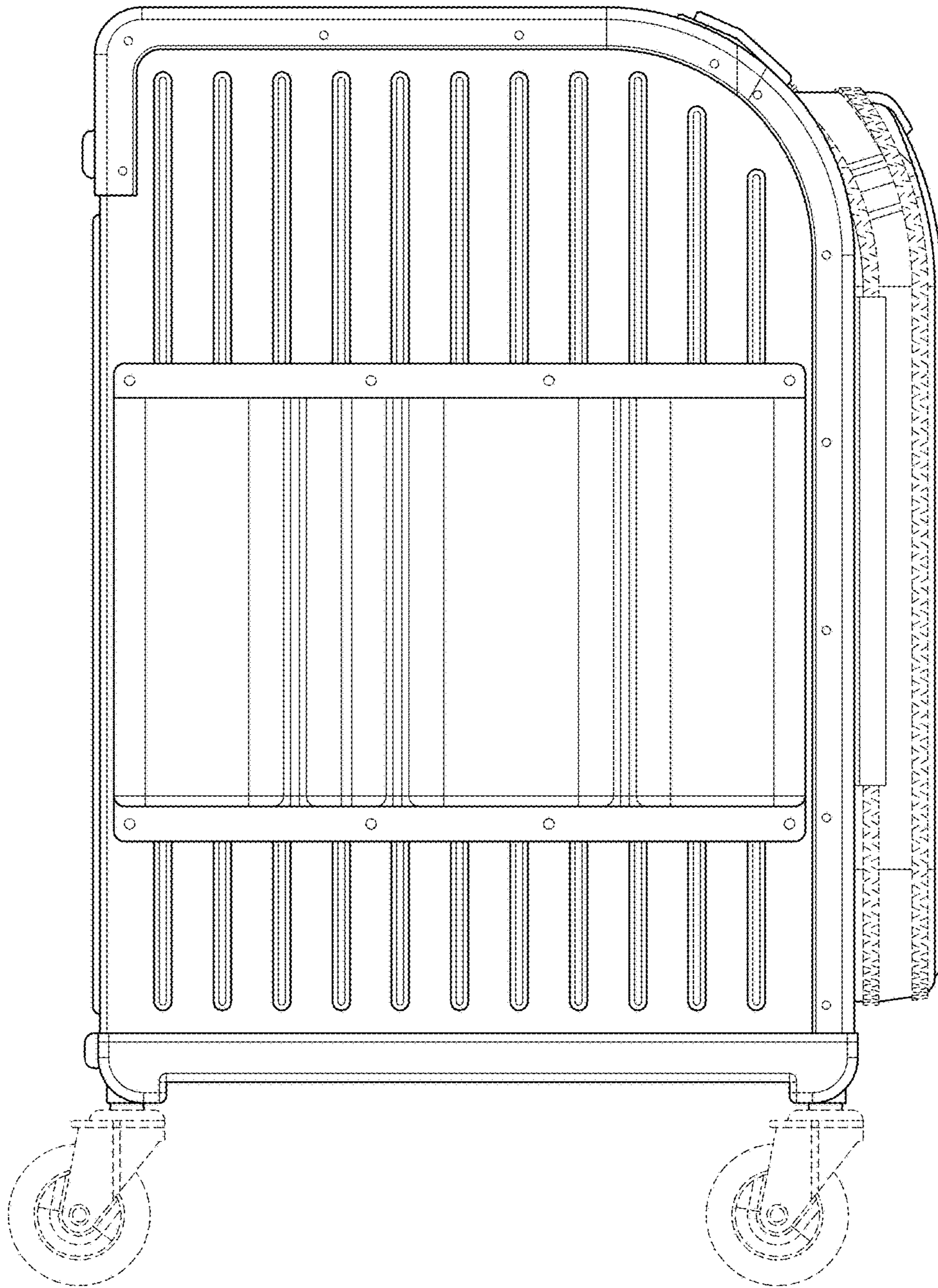
D364,504 S * 11/1995 Bieber D3/276
D427,768 S * 7/2000 Bogert D3/279
D463,910 S * 10/2002 Tchan D3/279
D474,598 S * 5/2003 Platte, III D3/279
D517,804 S * 3/2006 Davenport D3/279
D534,353 S * 1/2007 Hsieh D3/279
D554,369 S * 11/2007 Katz D3/279

1 Claim, 7 Drawing Sheets

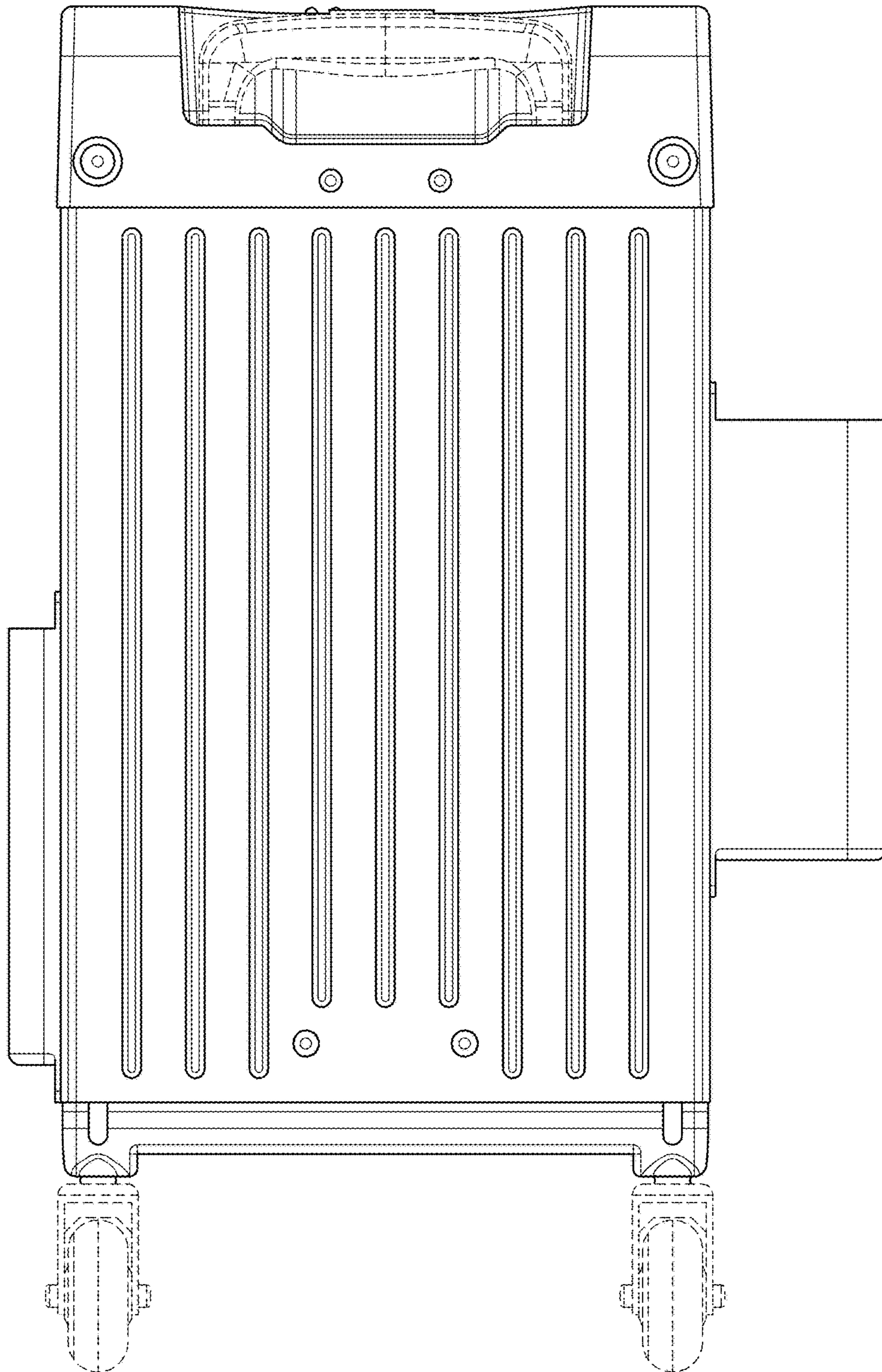




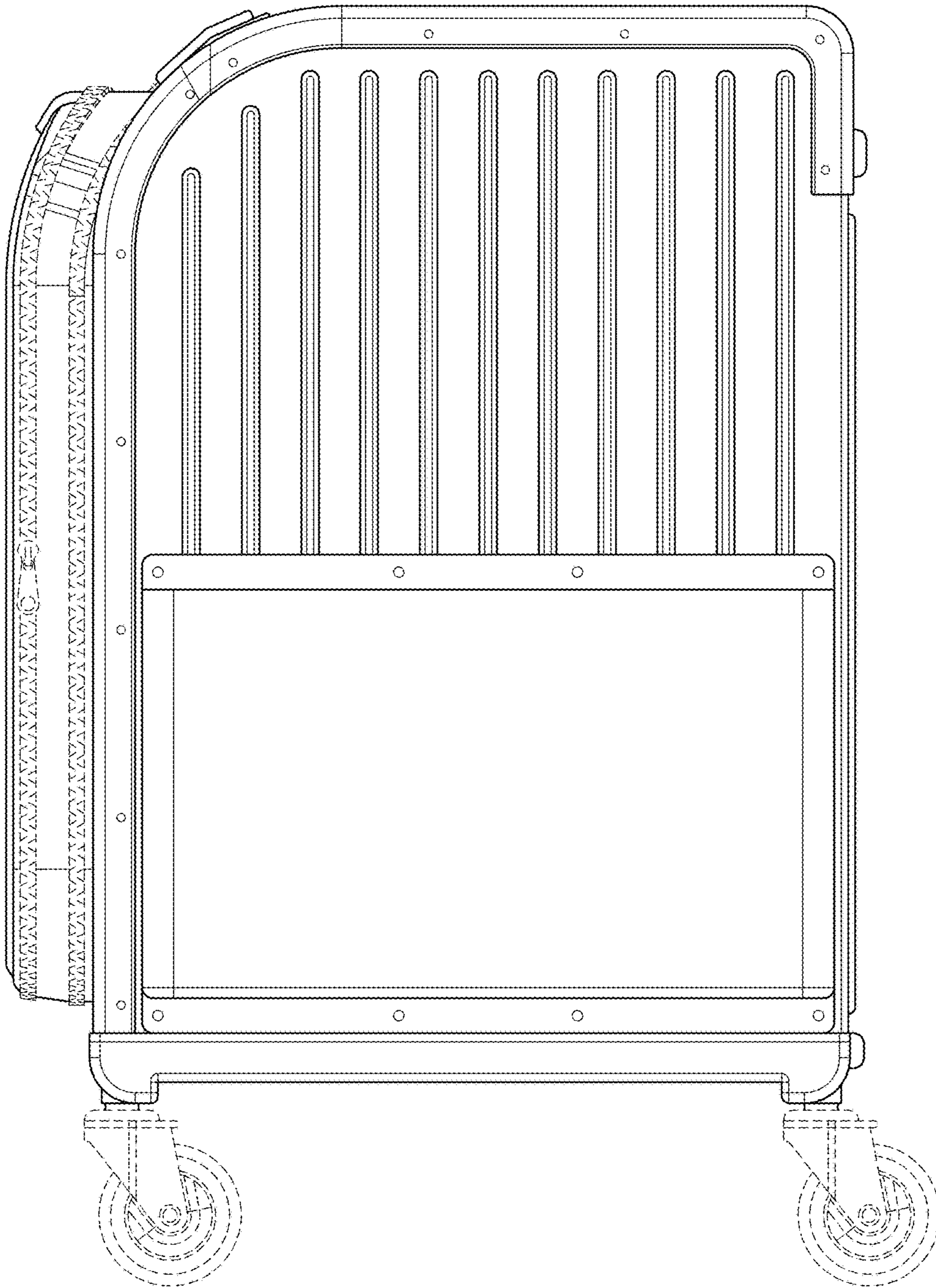
1.1

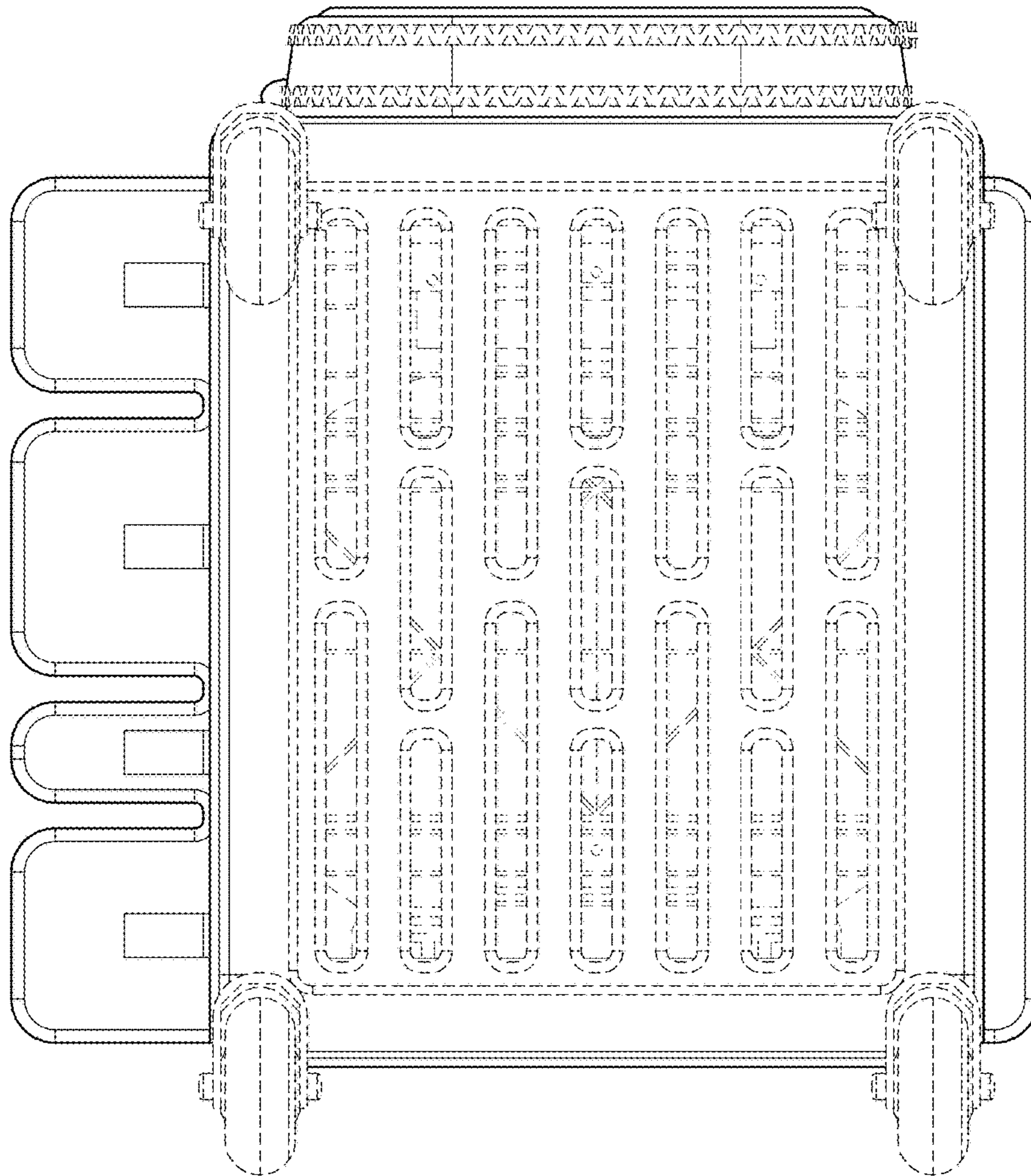


1.2

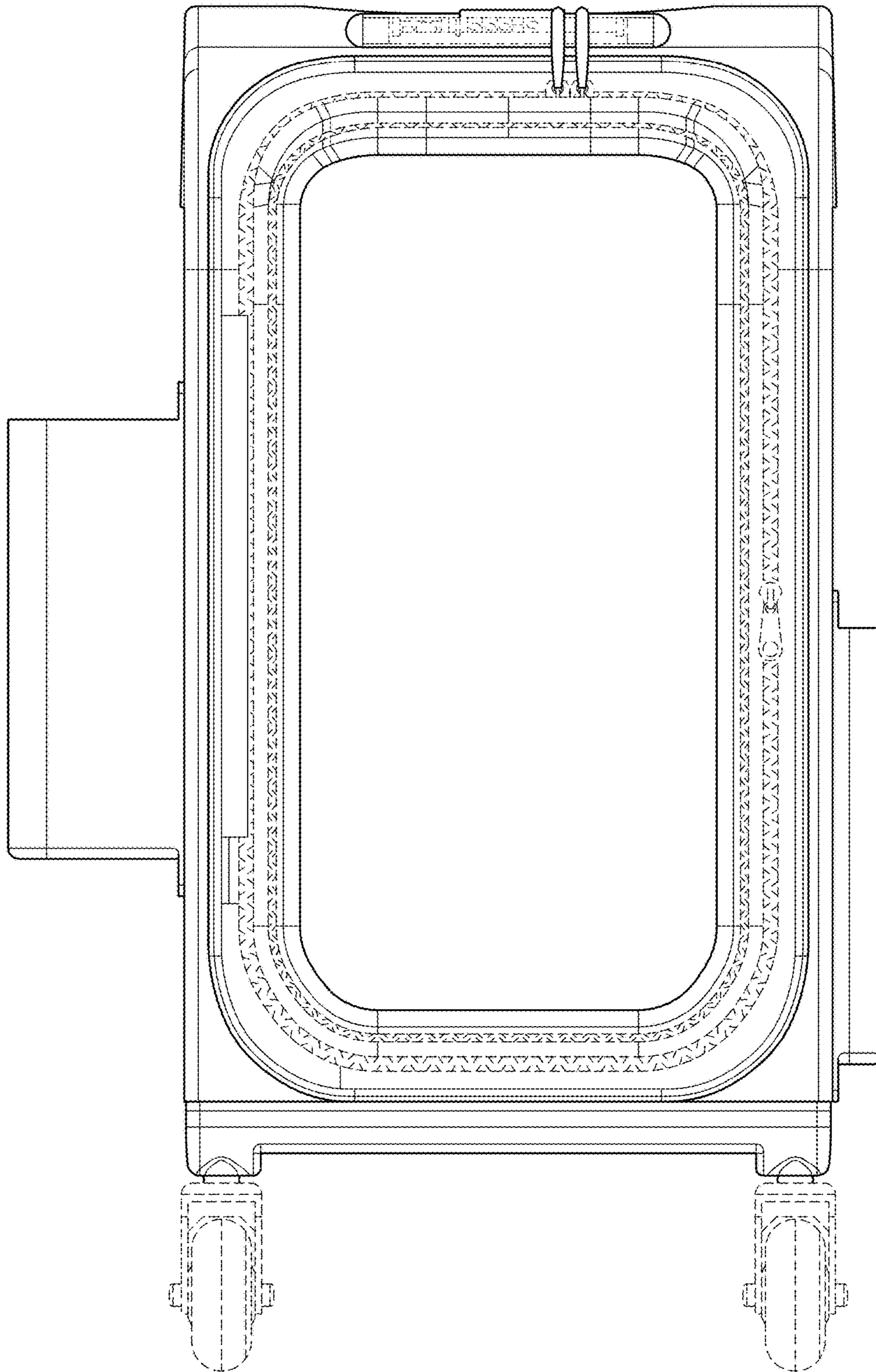


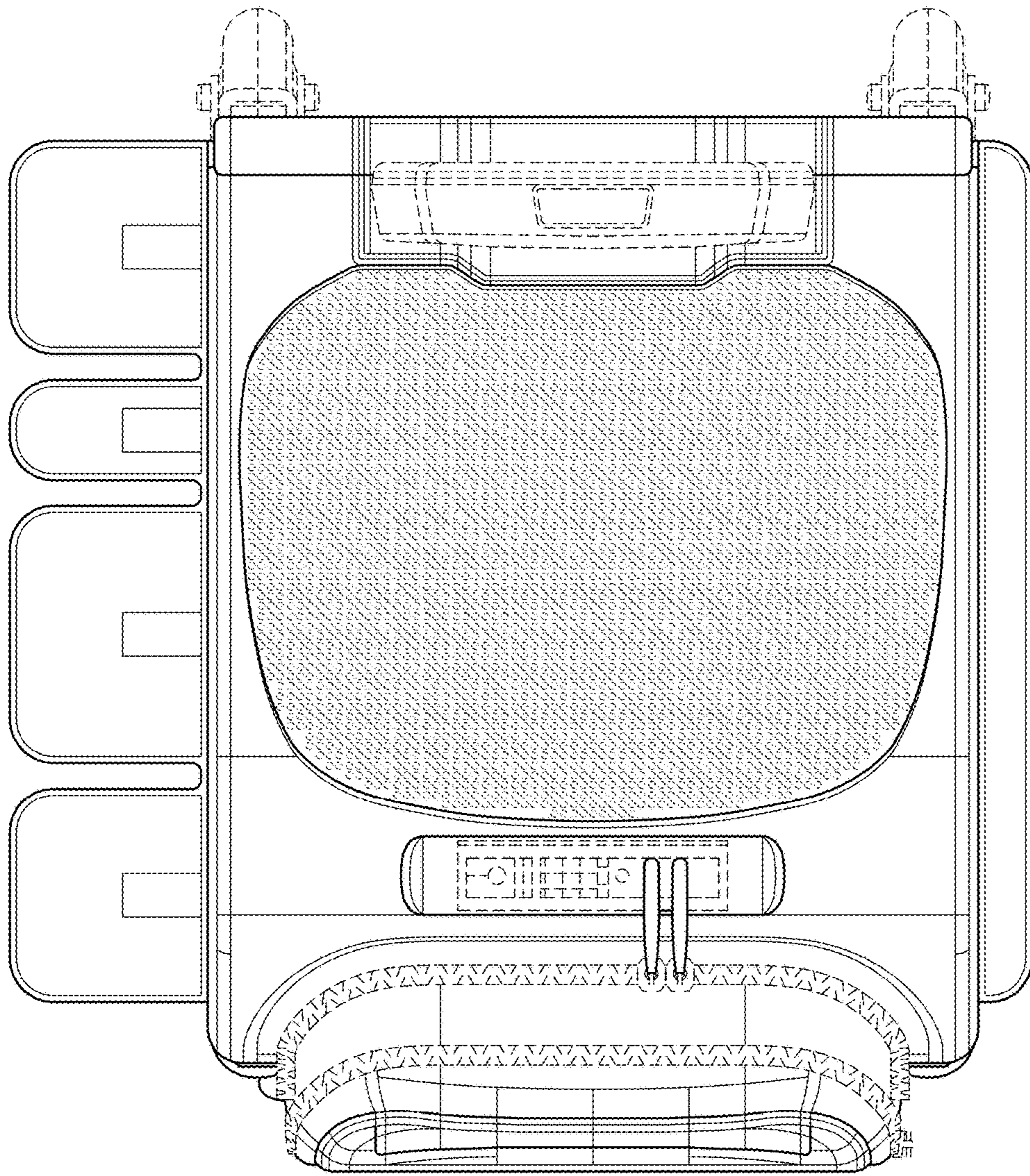
1.3





1.5





1.7