



US00D840681S

(12) **United States Design Patent**
Verver

(10) **Patent No.:** **US D840,681 S**

(45) **Date of Patent:** **** Feb. 19, 2019**

(54) **MULTI-SURFACE BAG**

(71) Applicant: **Caroline Elizabeth Verver**, Coppell, TX (US)

(72) Inventor: **Caroline Elizabeth Verver**, Coppell, TX (US)

(**) Term: **15 Years**

(21) Appl. No.: **29/605,949**

(22) Filed: **May 31, 2017**

(51) **LOC (11) Cl.** **03-01**

(52) **U.S. Cl.**
USPC **D3/243**

(58) **Field of Classification Search**
USPC D3/232, 243, 246
CPC A45C 1/024; A45C 3/06; A45C 13/30;
A45F 3/02; A45F 3/047
See application file for complete search history.

(56) **References Cited**

U.S. PATENT DOCUMENTS

D591,503 S *	5/2009	Hermann	D3/243
D624,312 S *	9/2010	Chu	D3/243
D648,123 S *	11/2011	Guyon	D3/243
8,578,570 B1 *	11/2013	Dwight	A45C 3/00 24/303
D742,634 S *	11/2015	Zwetzig	D3/232
D761,017 S *	7/2016	Klusener	D3/243

OTHER PUBLICATIONS

Erin Gillum, Handmade Cow Leather Briefcase, Social Media Post, Jun. 27, 2017, Facebook.com.

* cited by examiner

Primary Examiner — Holly H Baynham

(74) *Attorney, Agent, or Firm* — Hitchcock Evert LLP

(57) **CLAIM**

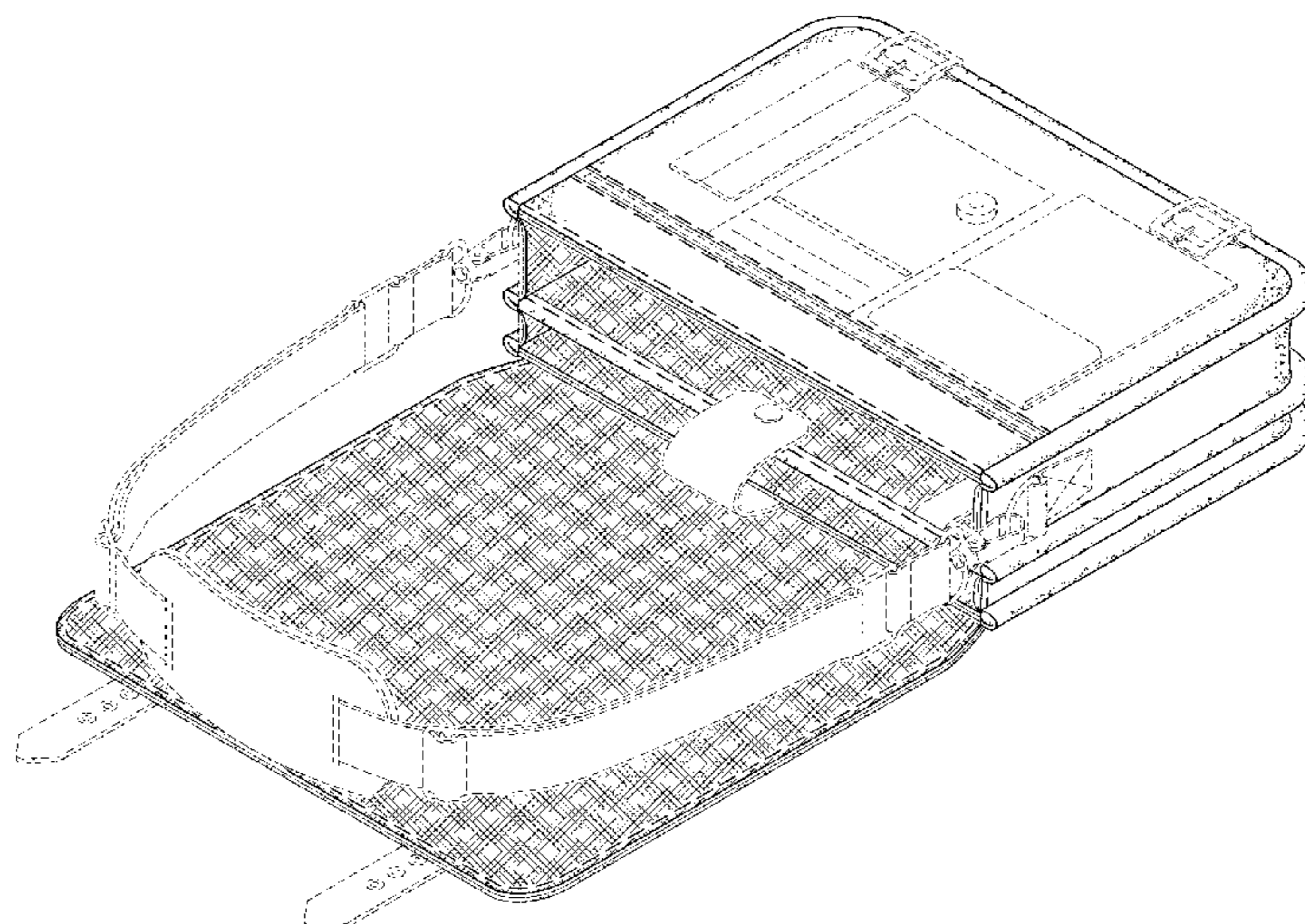
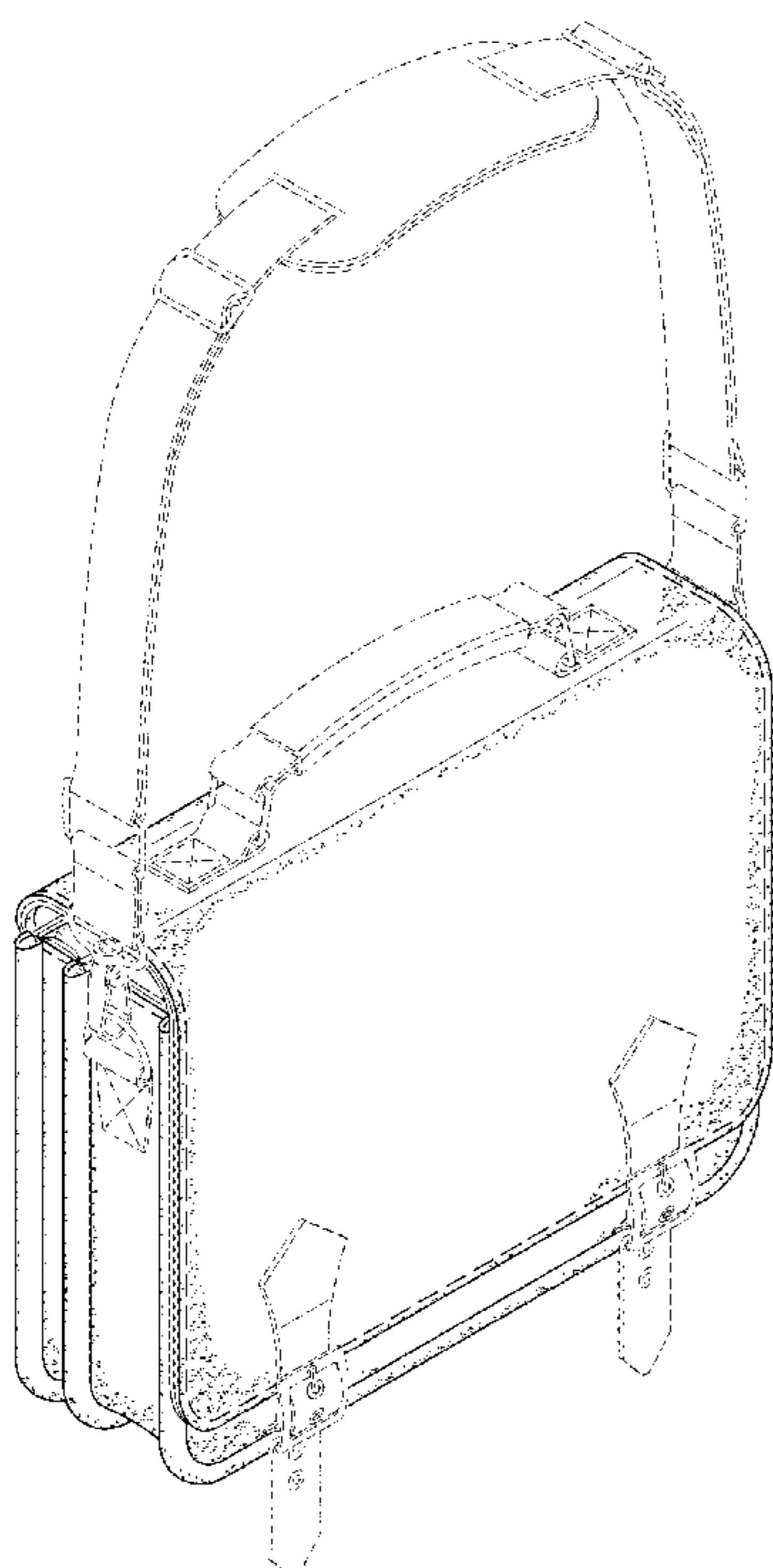
The ornamental design for a multi-surface bag design, as shown and described.

DESCRIPTION

FIG. 1 is a perspective view from the top-left of the multi-surface bag in a first state;
FIG. 2 is a front view thereof;
FIG. 3 is a back view thereof;
FIG. 4 is a right side view thereof;
FIG. 5 is a left side view thereof;
FIG. 6 is a top view thereof;
FIG. 7 is a bottom view thereof;
FIG. 8 is a perspective view from the top-left of the multi-surface bag in a second state;
FIG. 9 is a front view thereof;
FIG. 10 is a back view thereof;
FIG. 11 is a right side view thereof;
FIG. 12 is a left side view thereof;
FIG. 13 is a top view thereof; and,
FIG. 14 is a bottom view thereof.

The broken lines are for the purpose of illustrating portions of the article and form no part of the claimed design. The cross-hatching shown on FIGS. 3, 8, 9, and 10 represents a different material or treatment from the other portions of the article.

1 Claim, 10 Drawing Sheets



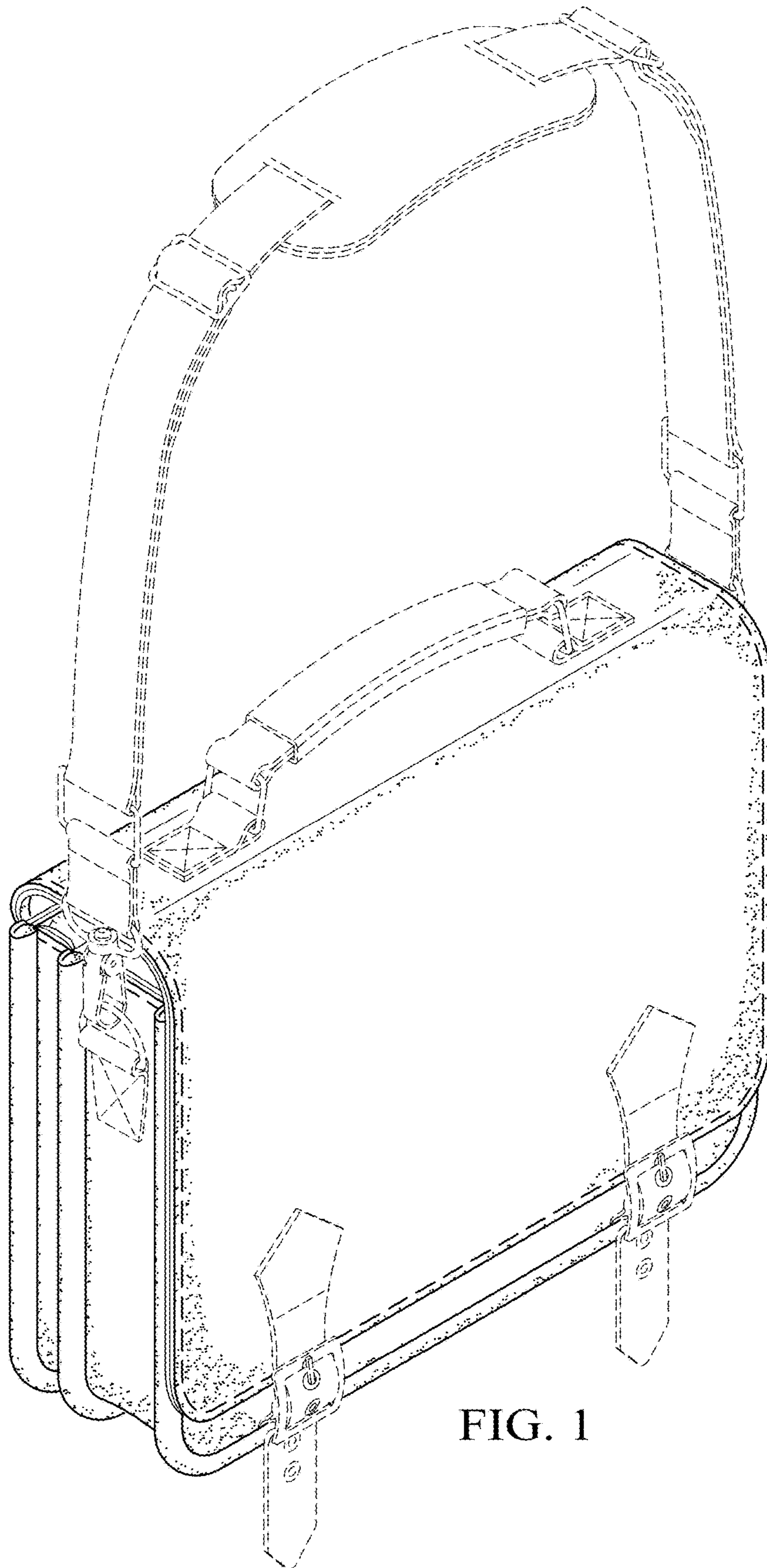


FIG. 1

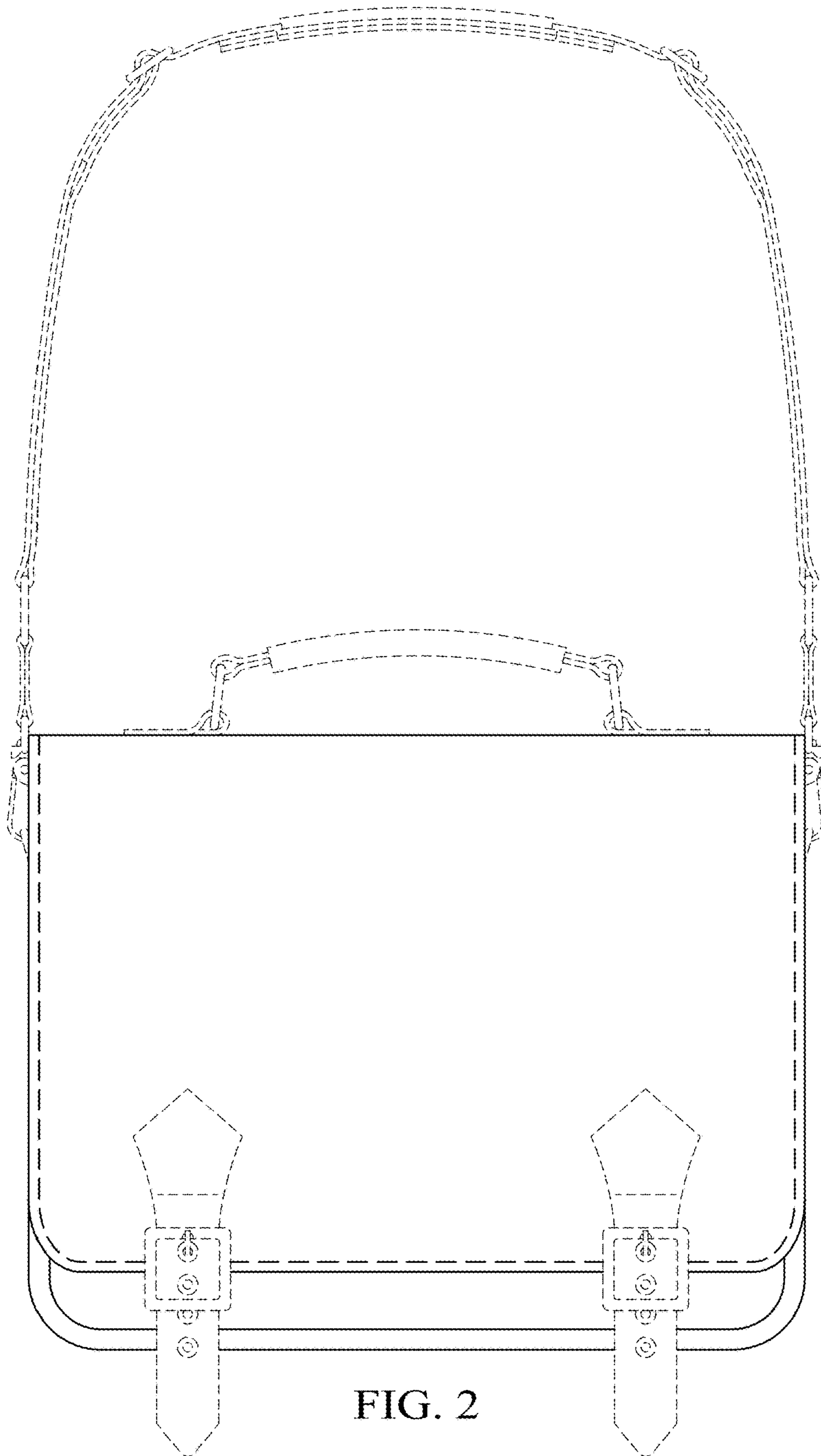


FIG. 2

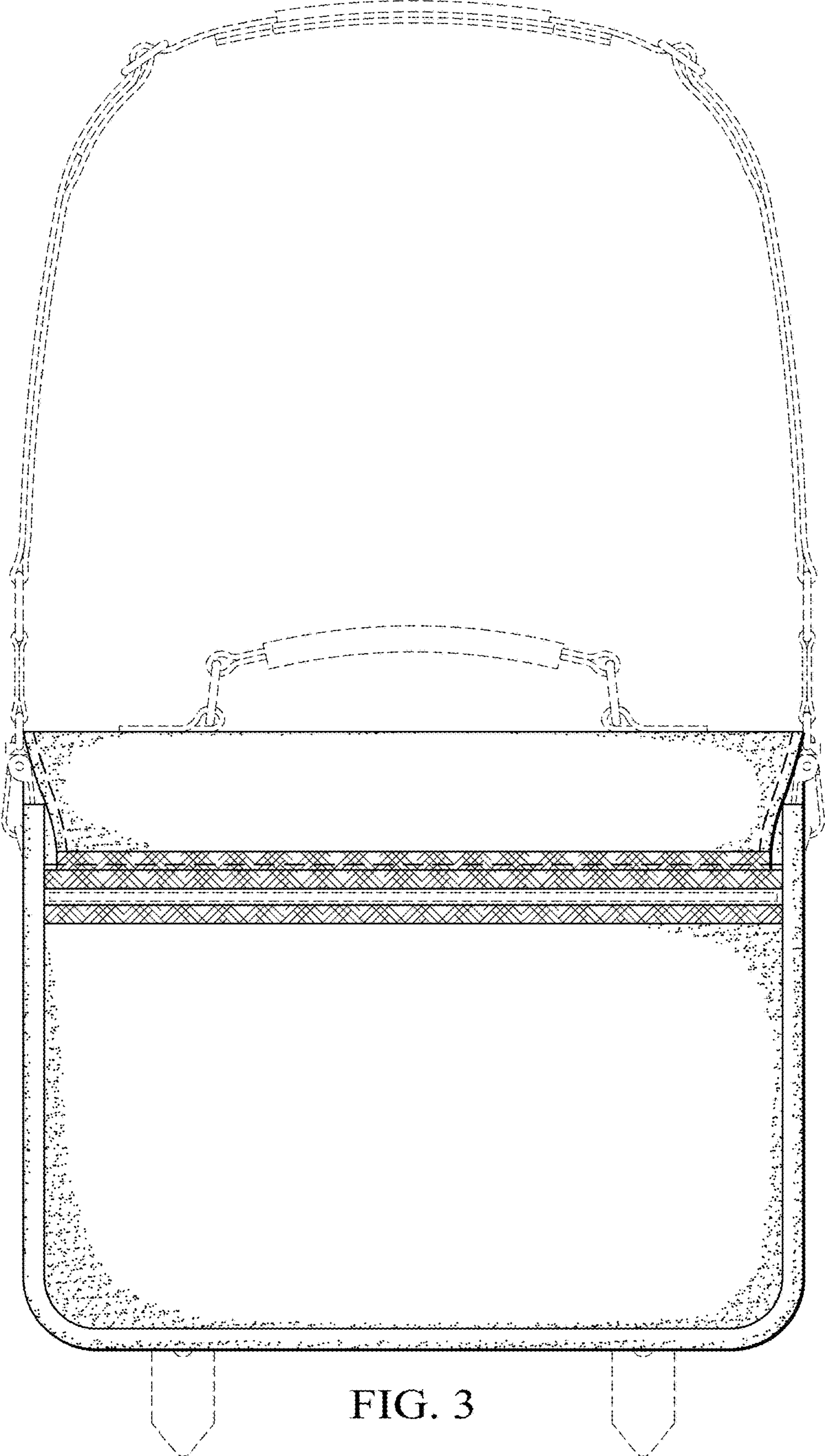


FIG. 3

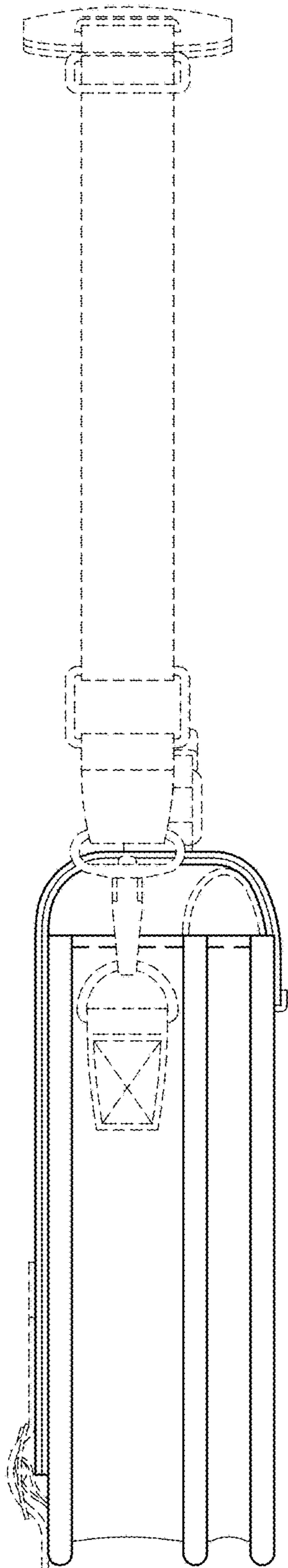


FIG. 4

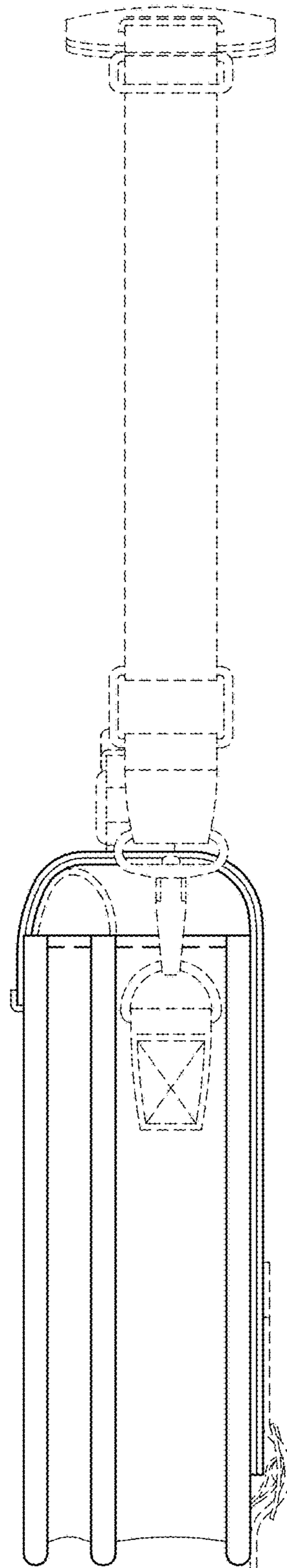


FIG. 5

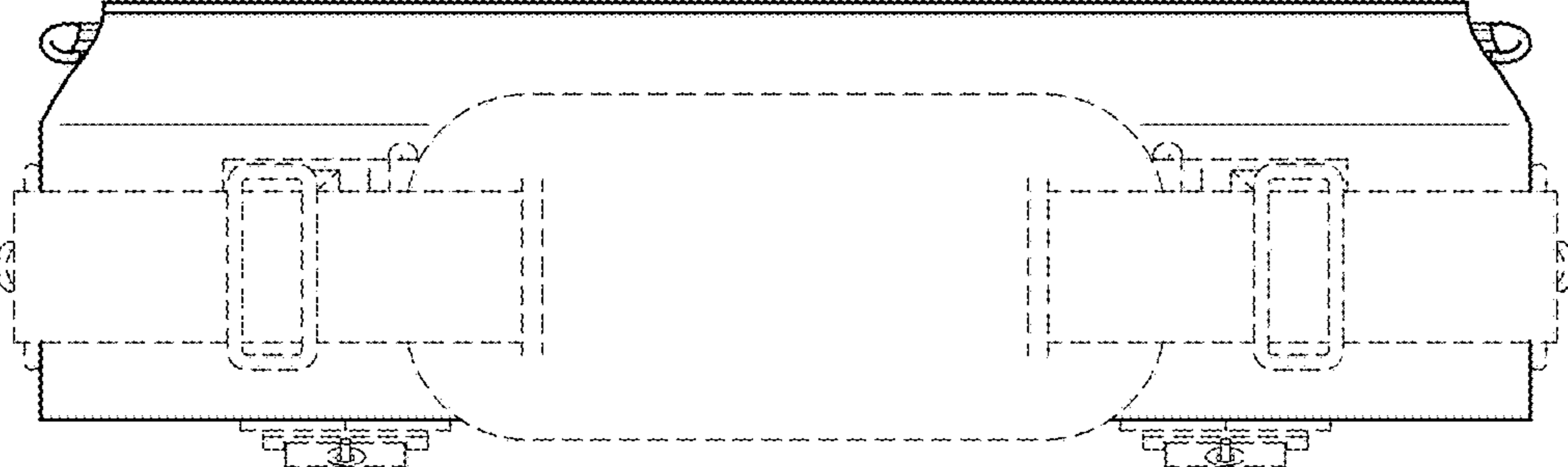


FIG. 6

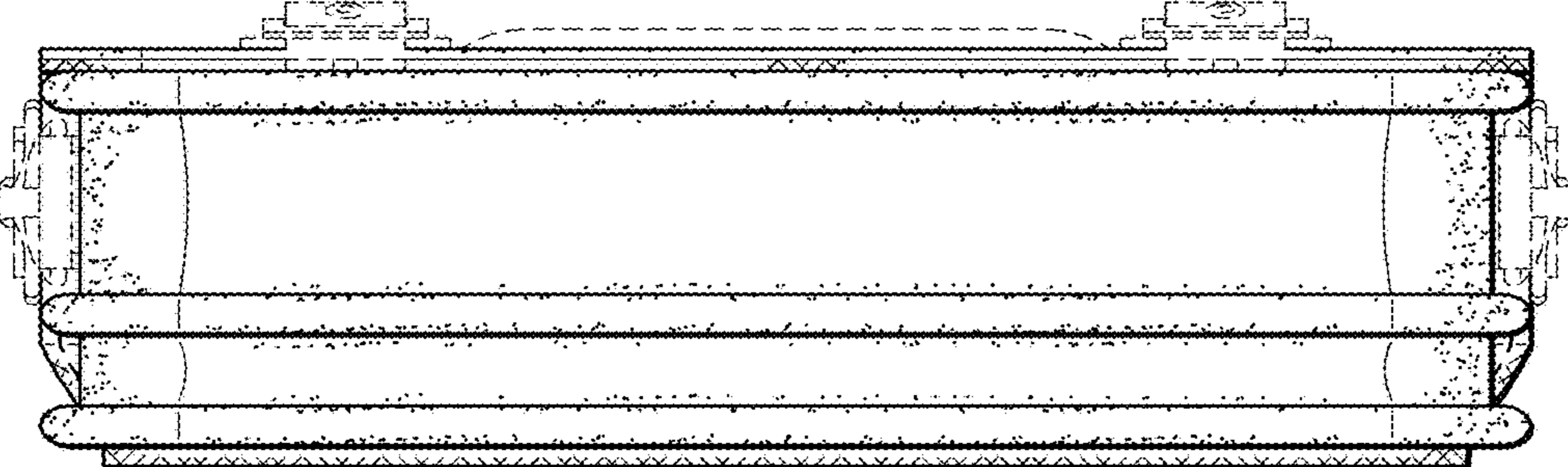


FIG. 7

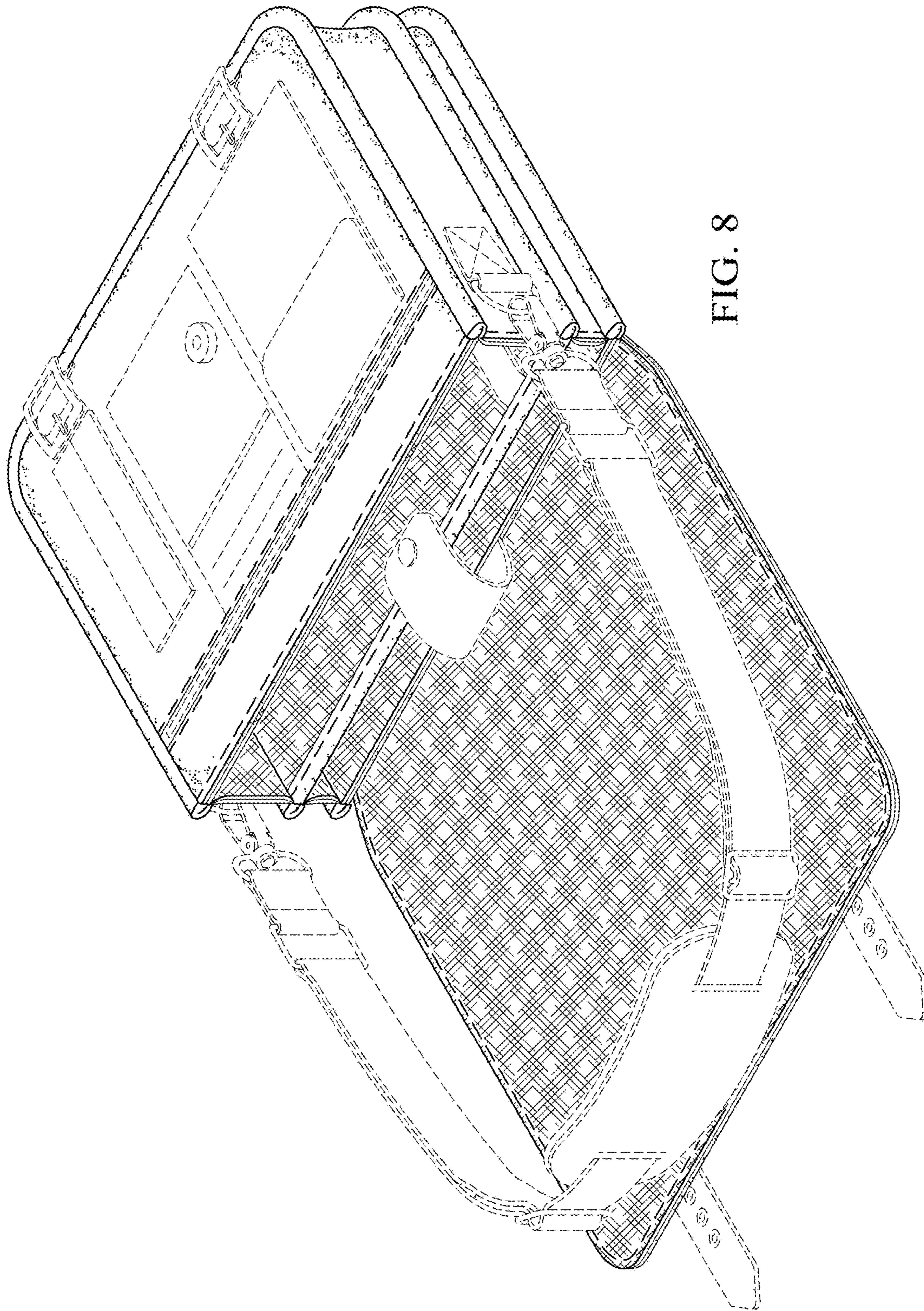


FIG. 8

FIG. 9

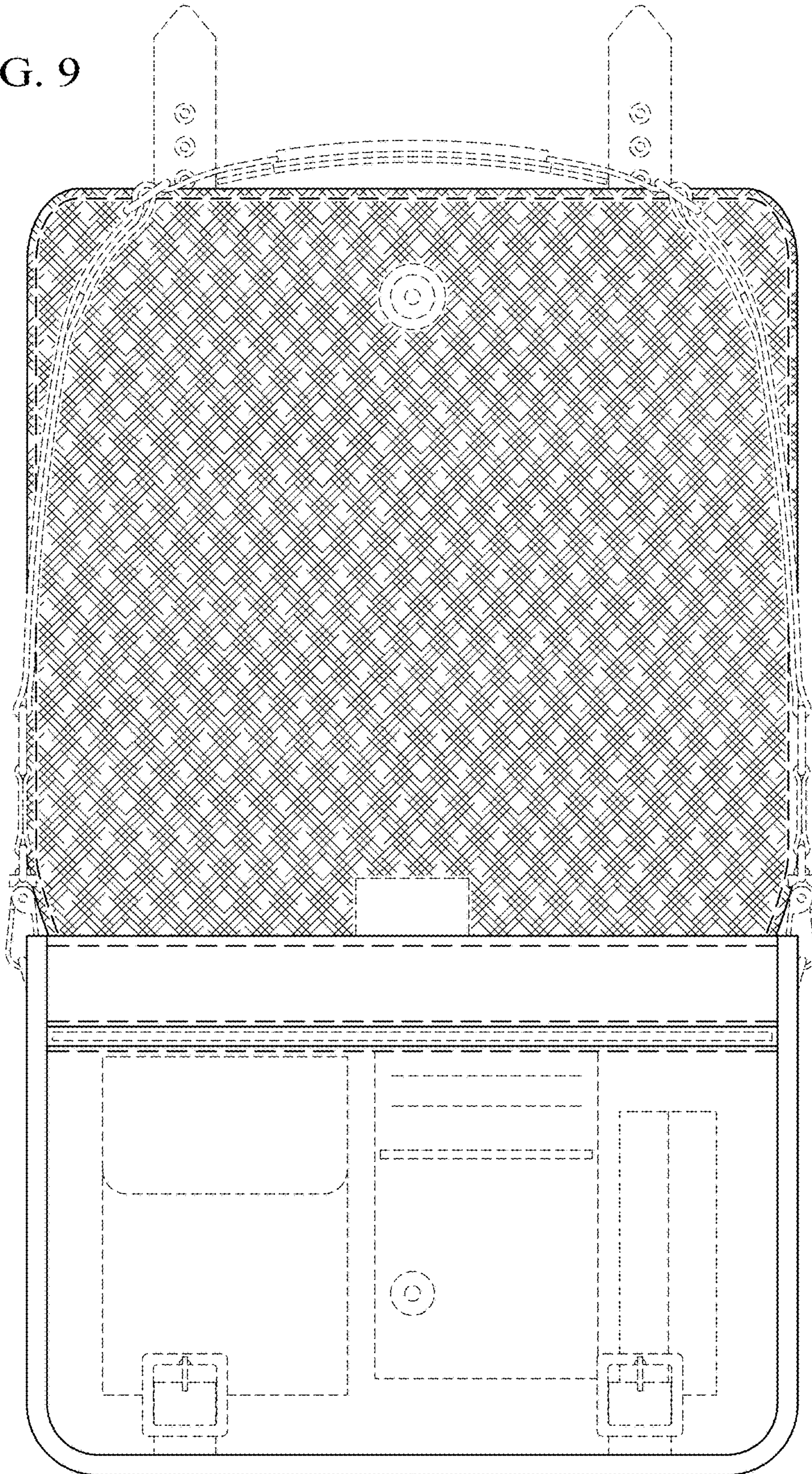


FIG. 10

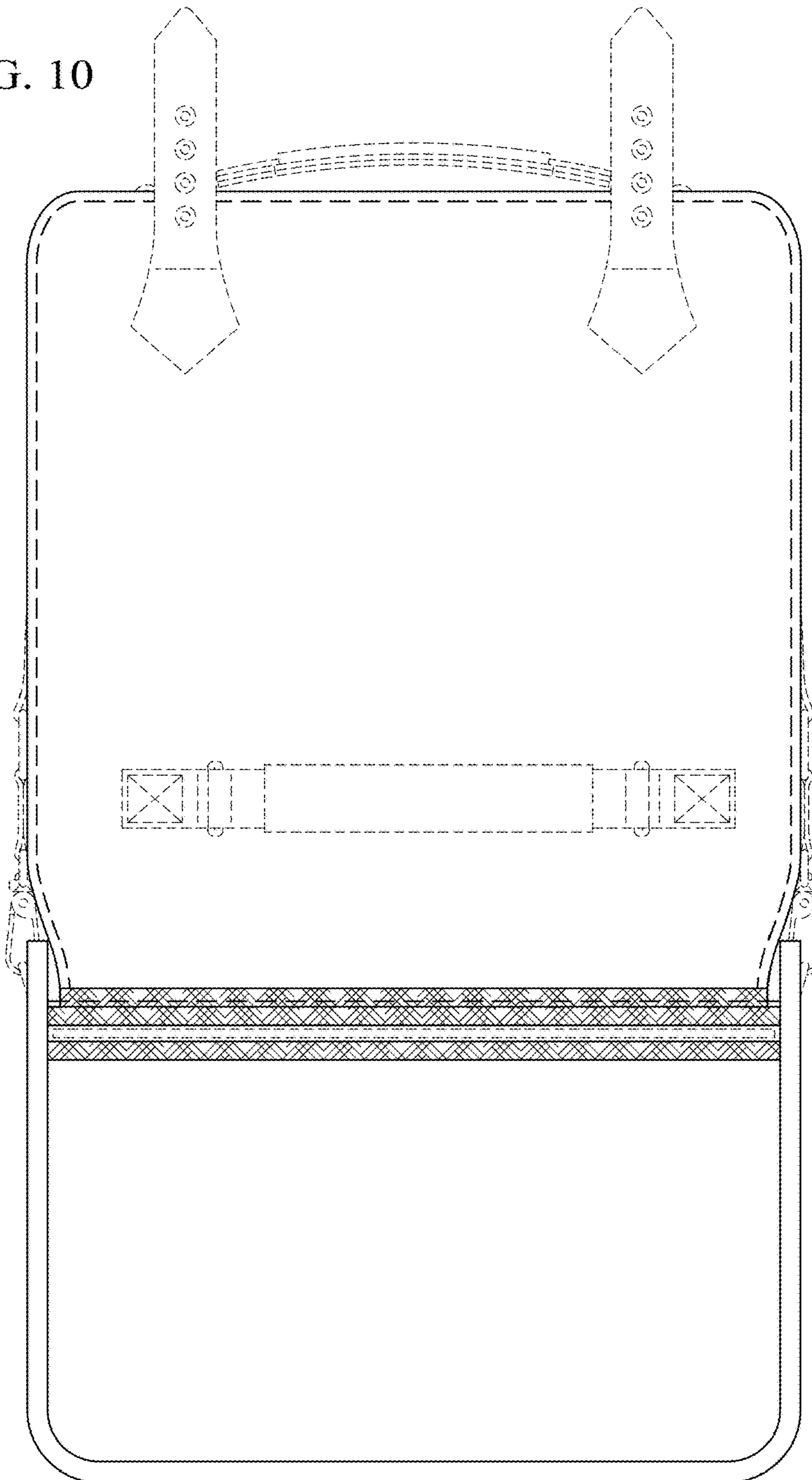


FIG. 11

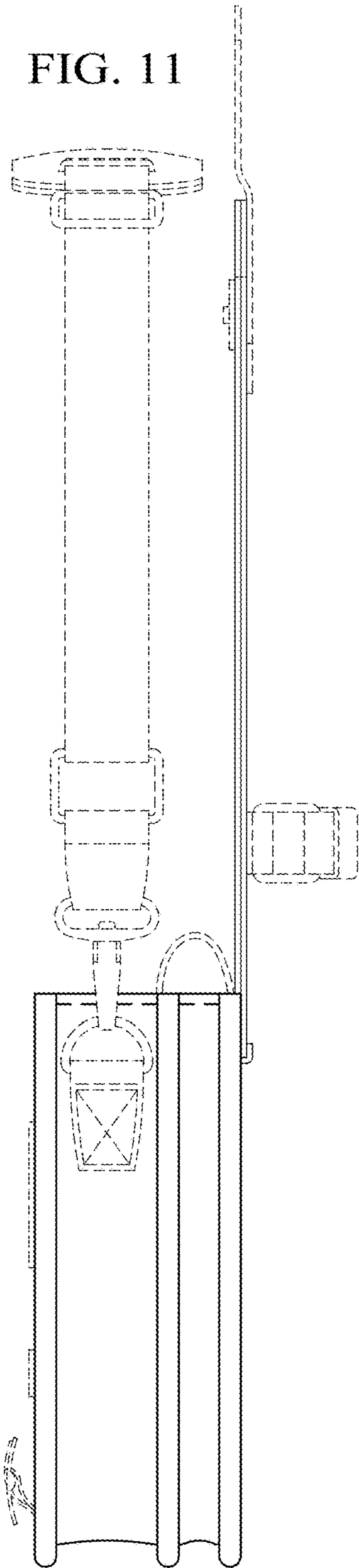
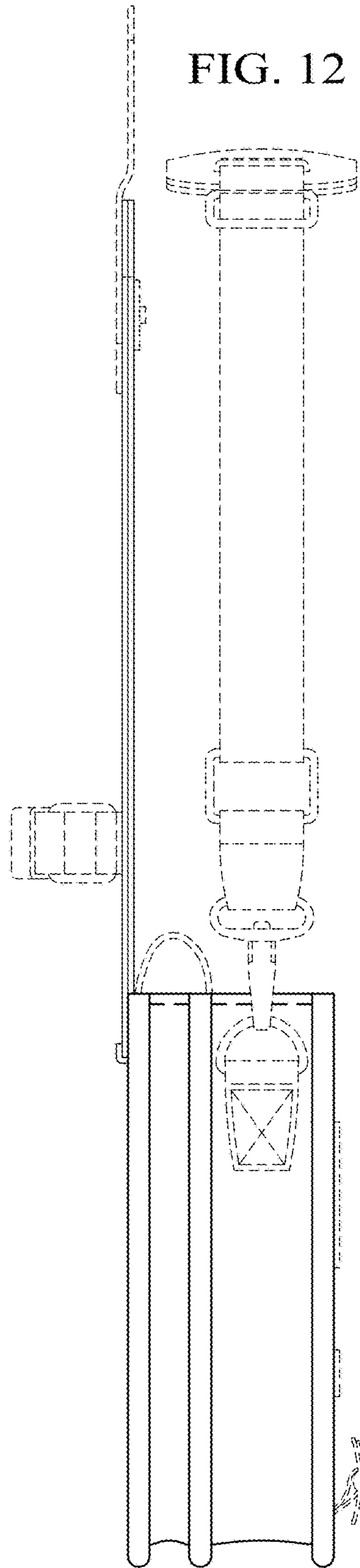


FIG. 12



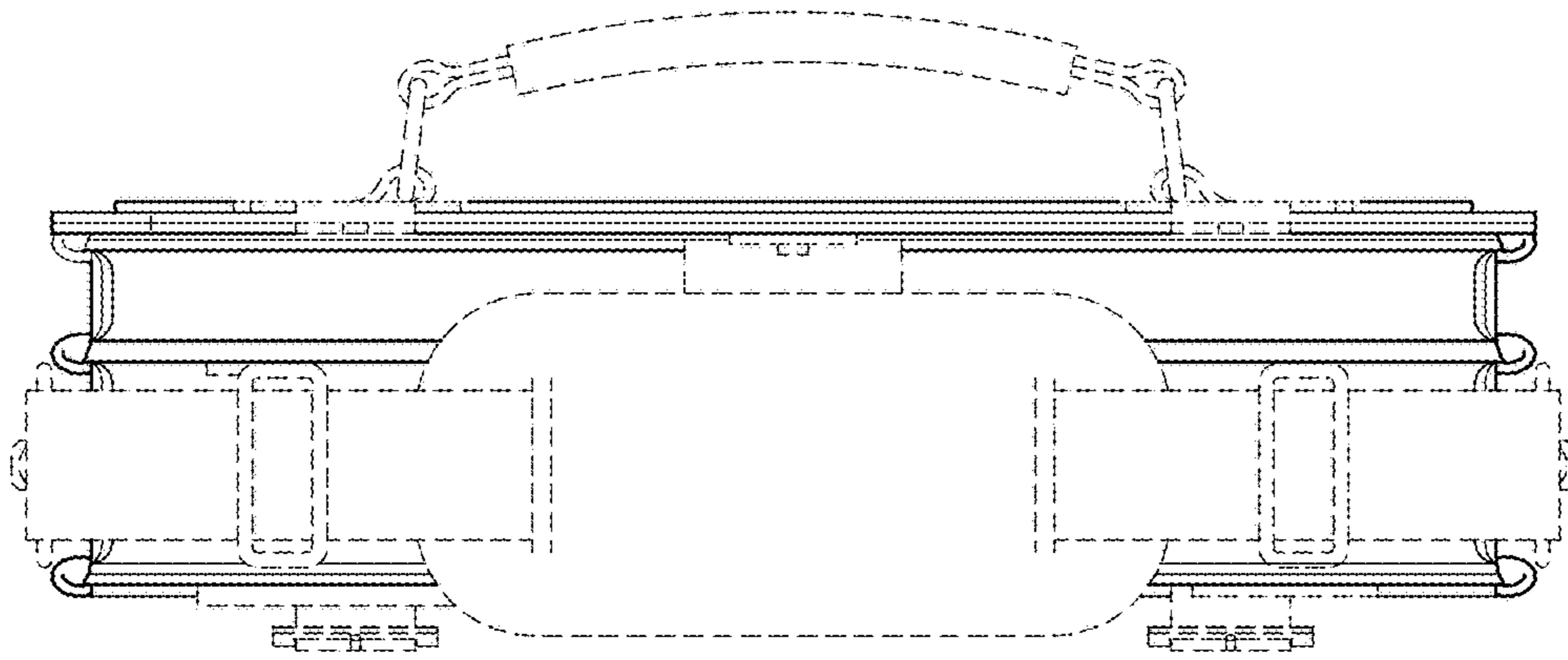


FIG. 13

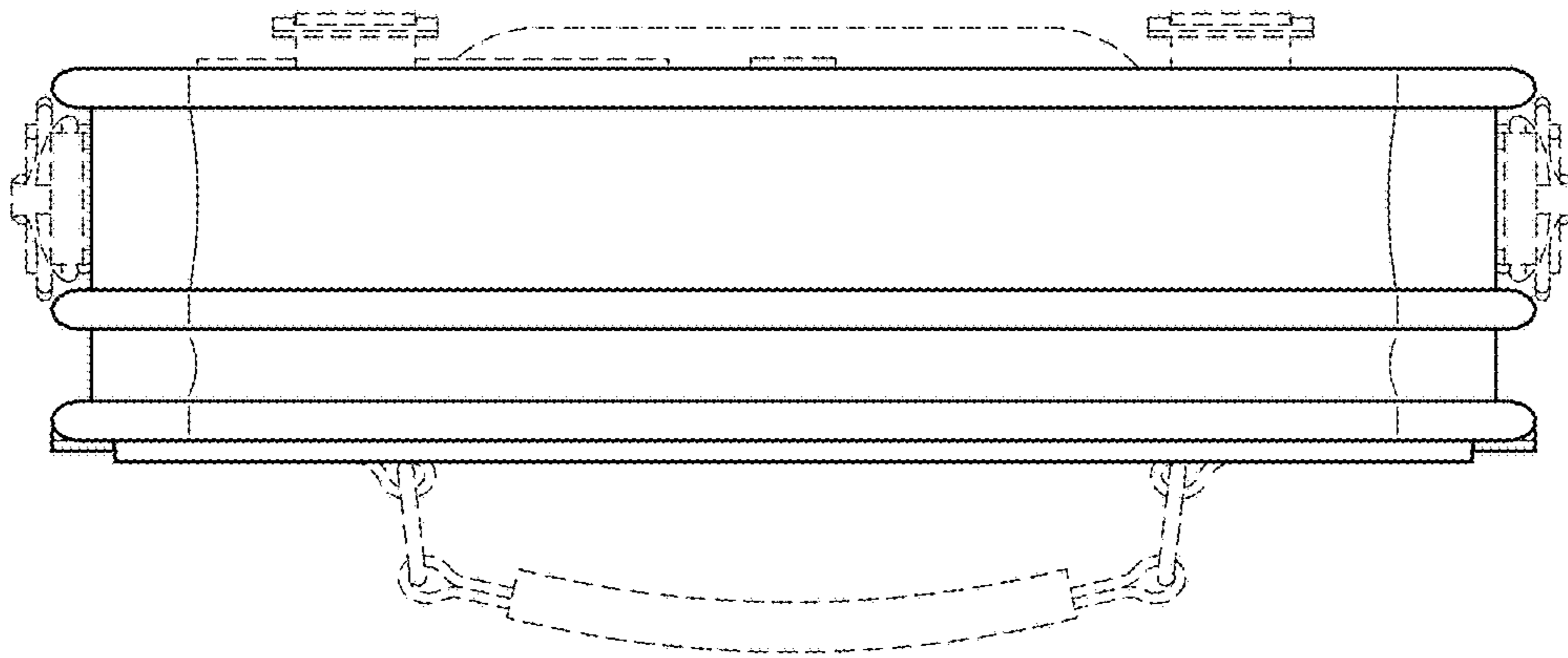


FIG. 14