

US00D840678S

(12) **United States Design Patent** (10) **Patent No.:** **US D840,678 S**
Mouriz (45) **Date of Patent:** **** Feb. 19, 2019**

(54) **MOBILE DEVICE CARRYING CASE**
(71) Applicant: **CASI CASES LLC**, Miami, FL (US)
(72) Inventor: **Ashley Mouriz**, Miami, FL (US)
(73) Assignee: **CASI CASES, LLC**, Miami, FL (US)
(**) Term: **15 Years**
(21) Appl. No.: **29/622,460**
(22) Filed: **Oct. 17, 2017**
(51) **LOC (11) Cl.** **03-01**
(52) **U.S. Cl.**
USPC **D3/218**
(58) **Field of Classification Search**
USPC D3/218, 215, 201, 219, 224, 226, 228,
D3/232, 205, 269, 303; 224/600, 605,
224/625, 682-683, 674, 930; 206/305,
206/320; 455/575.1-575.8; 379/455
CPC A45C 2011/002; A45C 11/26; A45F 5/00;
A45F 5/02; A45F 5/021; A45F
2200/0516; A45F 3/02; A45F 3/14
See application file for complete search history.

(56) **References Cited**

U.S. PATENT DOCUMENTS

D377,117 S	1/1997	Klassen	
D435,963 S *	1/2001	Fulmore	D3/218
6,352,186 B1	3/2002	Endo	
6,646,864 B2	11/2003	Richardson	
D495,872 S	9/2004	Patton	
D499,546 S	12/2004	Smithers	
D520,738 S	5/2006	Tarantino	
D521,726 S	5/2006	Tarantino	
D527,893 S *	9/2006	Martz	D3/218
D533,994 S	12/2006	Hussaini et al.	
D562,807 S	2/2008	Andre et al.	
D615,447 S	5/2010	Raum	
D629,329 S	12/2010	Mudrick	
D649,539 S	11/2011	Hong	

8,300,388 B2	10/2012	Li	
D678,871 S	3/2013	Mishan et al.	
D679,694 S	4/2013	Fahrendorff et al.	
D686,606 S	7/2013	Hong	
D686,607 S	7/2013	Hong	
D720,924 S *	1/2015	Emmitt	D3/218
D721,693 S	1/2015	Lee et al.	
D721,694 S	1/2015	Lee et al.	
D731,785 S *	6/2015	Koester	D3/218
D736,196 S	8/2015	Karis et al.	
D768,982 S *	10/2016	Stewart	D3/218
D782,184 S *	3/2017	Harris	D3/218
2001/0035442 A1	11/2001	Yokobori	

(Continued)

Primary Examiner — Catherine R Oliver-Garcia

(74) *Attorney, Agent, or Firm* — Mark Terry

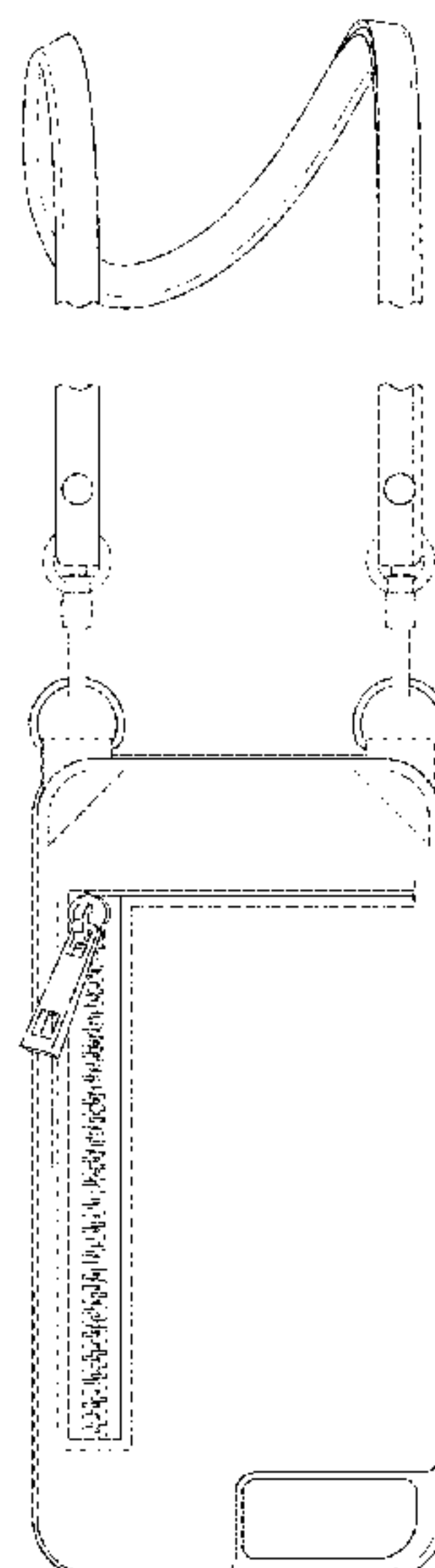
(57) **CLAIM**

The ornamental design for a mobile device carrying case, as shown and described.

DESCRIPTION

FIG. 1 is a rear view of a mobile device carrying case, showing the new design;
FIG. 2 is a left side view thereof;
FIG. 3 is a right side view thereof;
FIG. 4 is a top view thereof;
FIG. 5 is a bottom view thereof;
FIG. 6 is a front view thereof.
FIG. 7 is a rear perspective view thereof;
FIG. 8 is another rear perspective view thereof;
FIG. 9 is a front perspective view thereof; and,
FIG. 10 is a top perspective view thereof.
The uniformly dashed lines shown in the drawings illustrate portions of the mobile device carrying case which form no part of the claimed design.
The strap is shown broken away to indicate that no particular length is claimed, and any portion shown between the breaks forms no part of the claimed design.

1 Claim, 5 Drawing Sheets



(56)

References Cited

U.S. PATENT DOCUMENTS

2005/0127123 A1 6/2005 Smithers
2009/0023484 A1 1/2009 Macklin
2010/0133307 A1 6/2010 Martin et al.
2012/0262618 A1 10/2012 Weakly
2012/0273541 A1 11/2012 Zwach

* cited by examiner

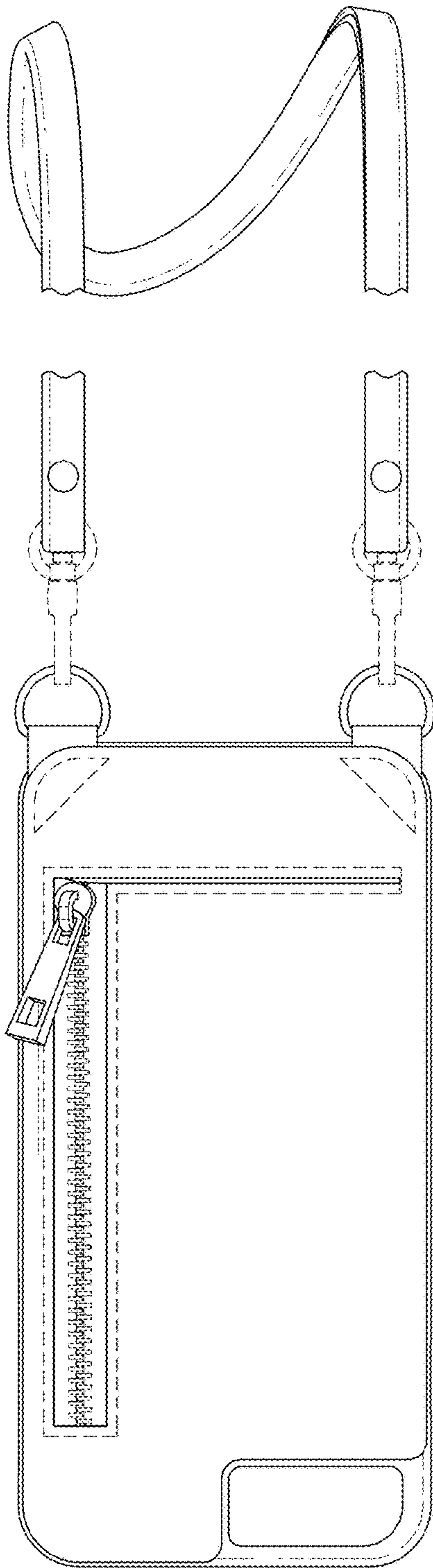


Fig. 1

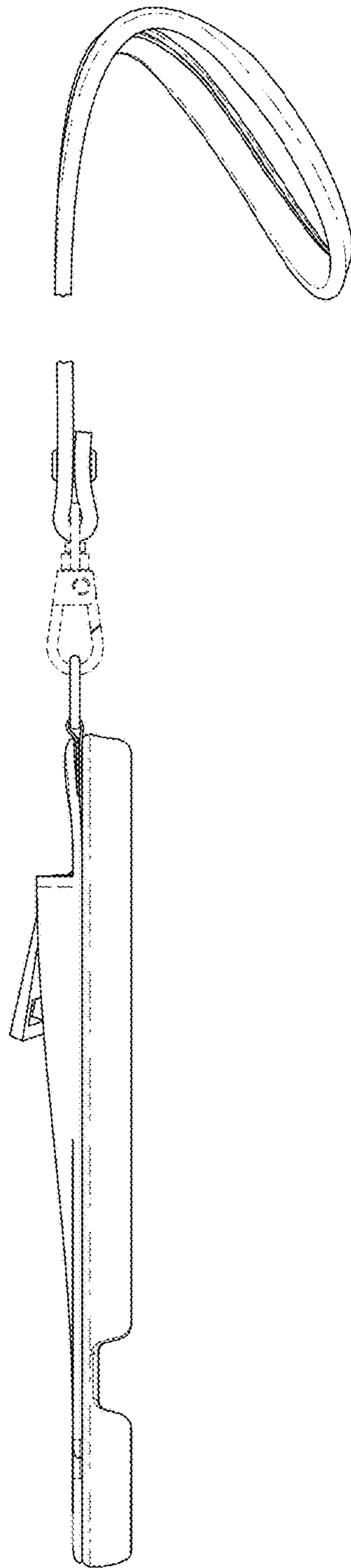


Fig. 2

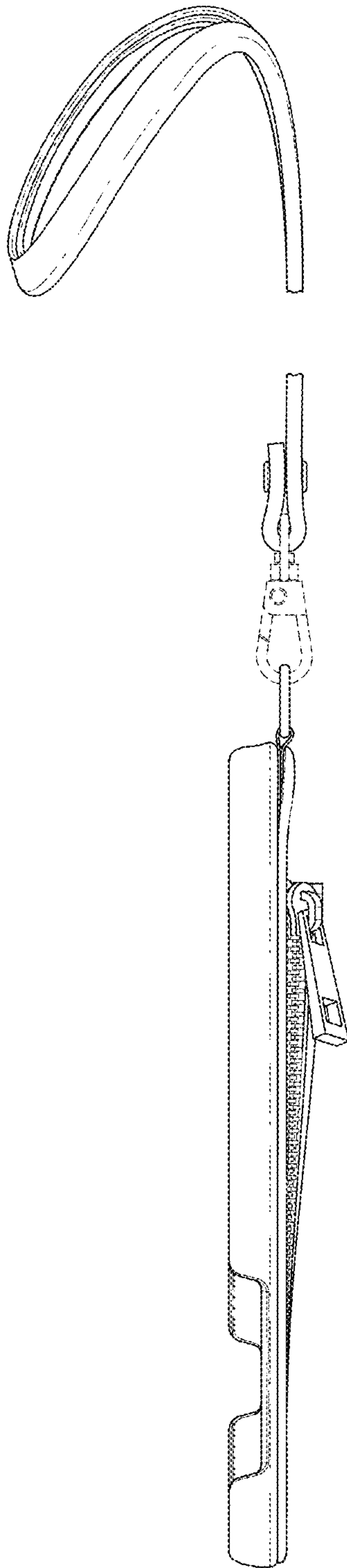


Fig. 3

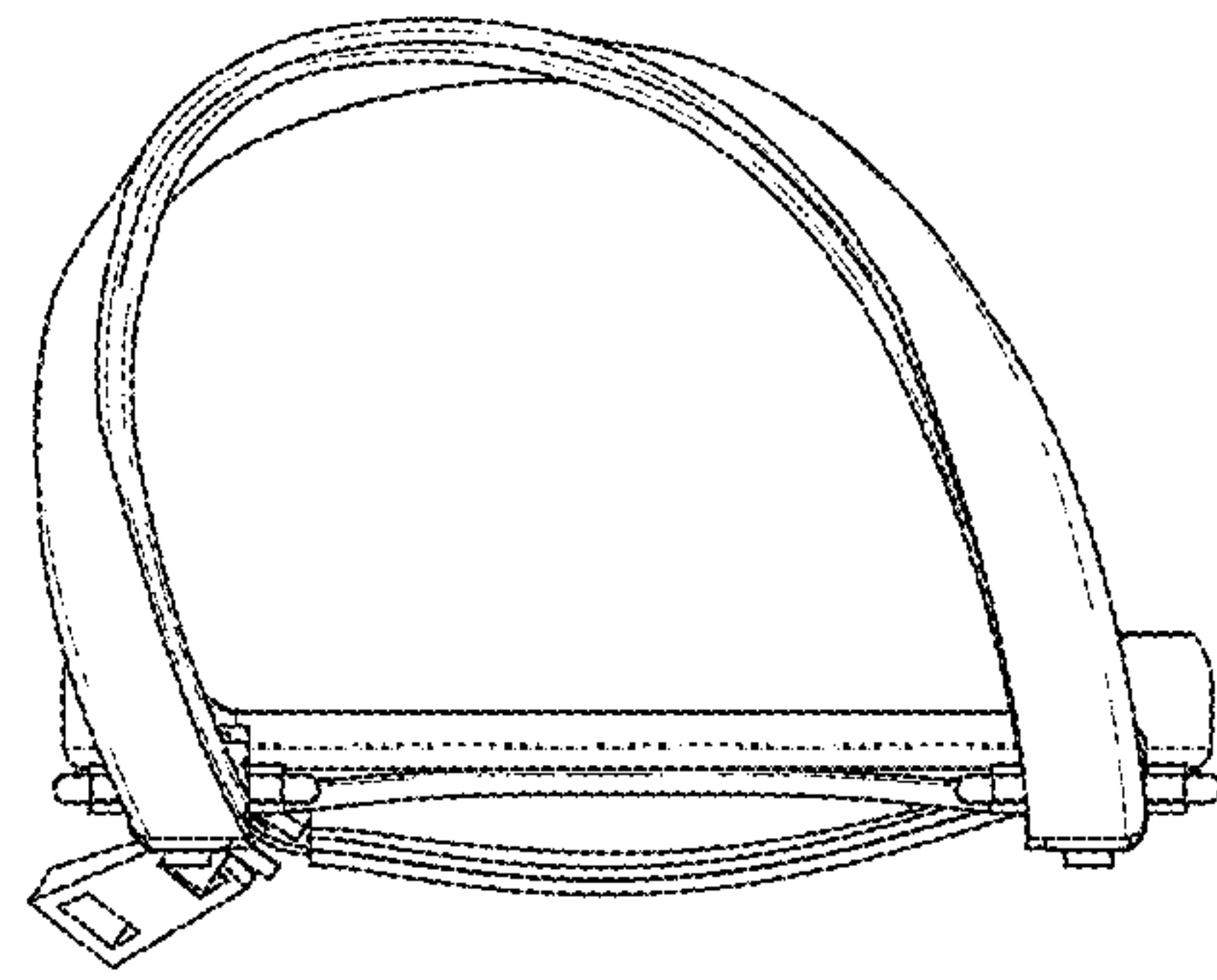


Fig. 4

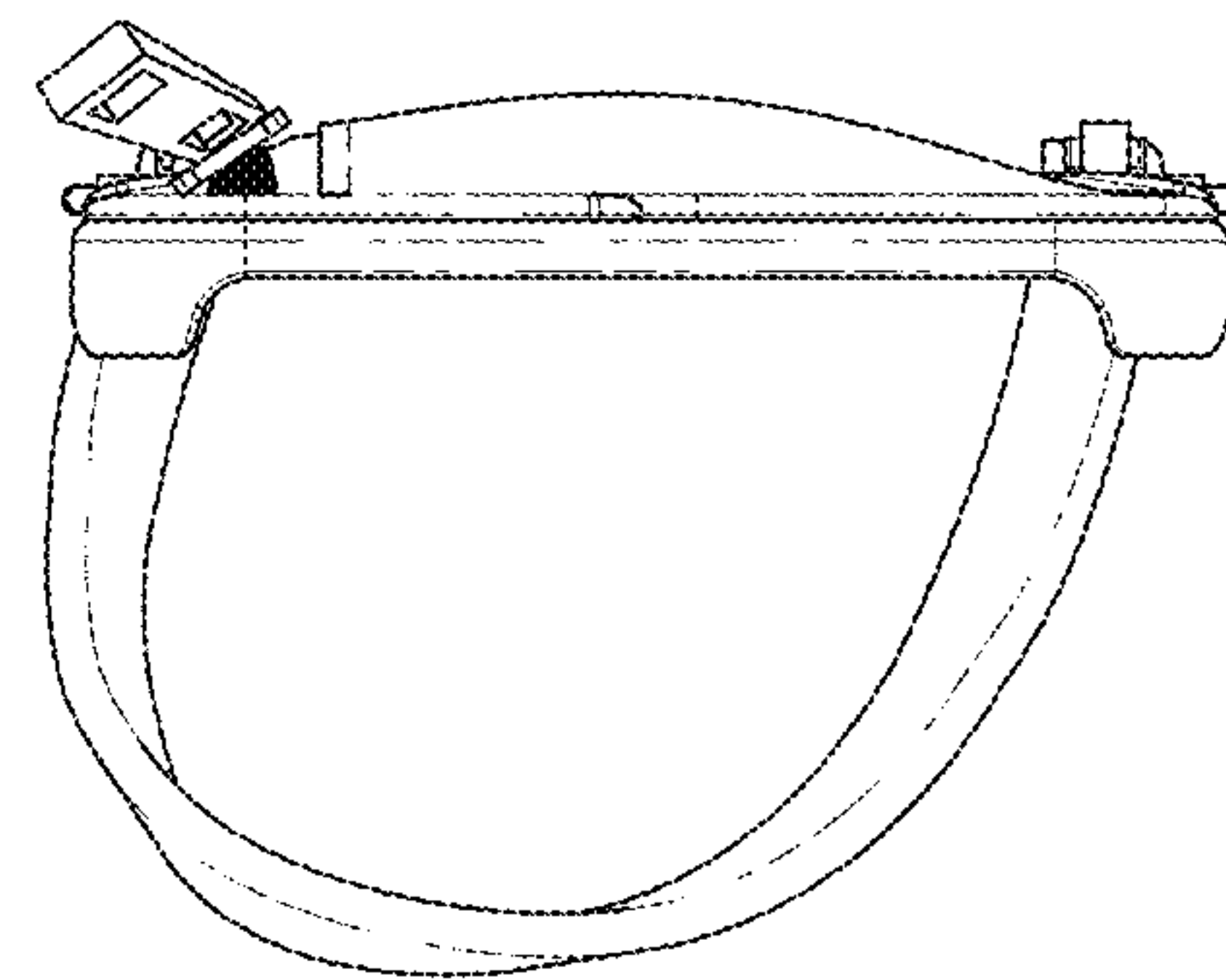


Fig. 5

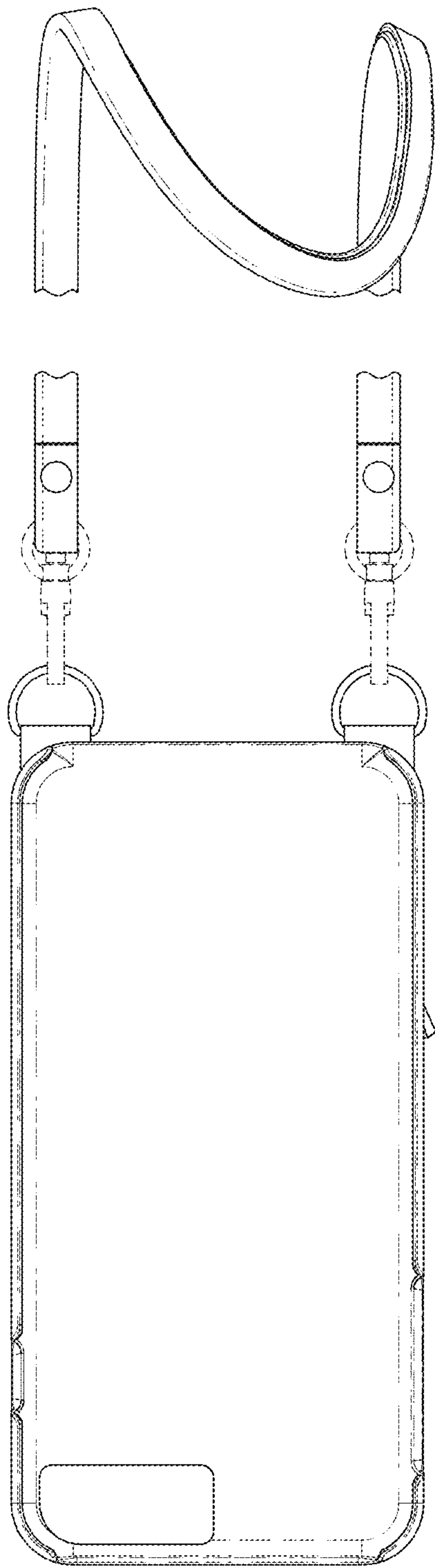


Fig. 6

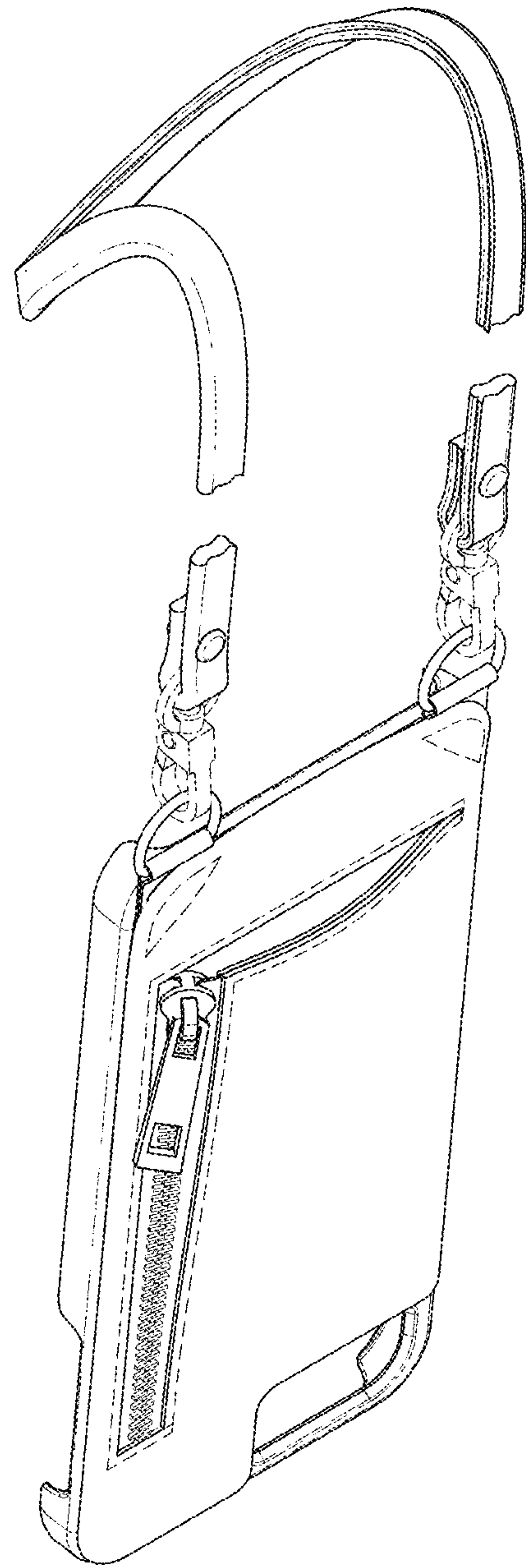


Fig. 7

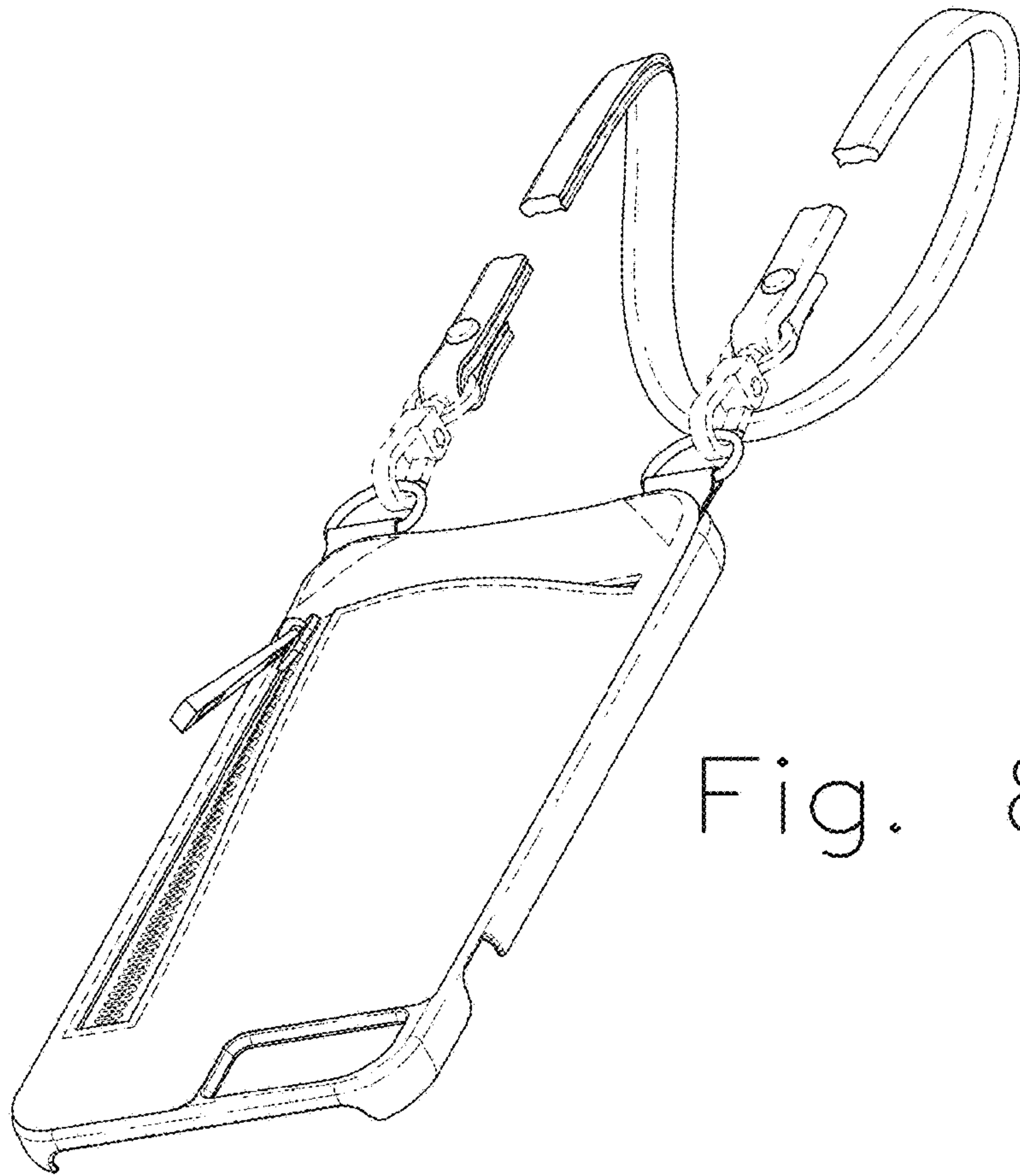


Fig. 8

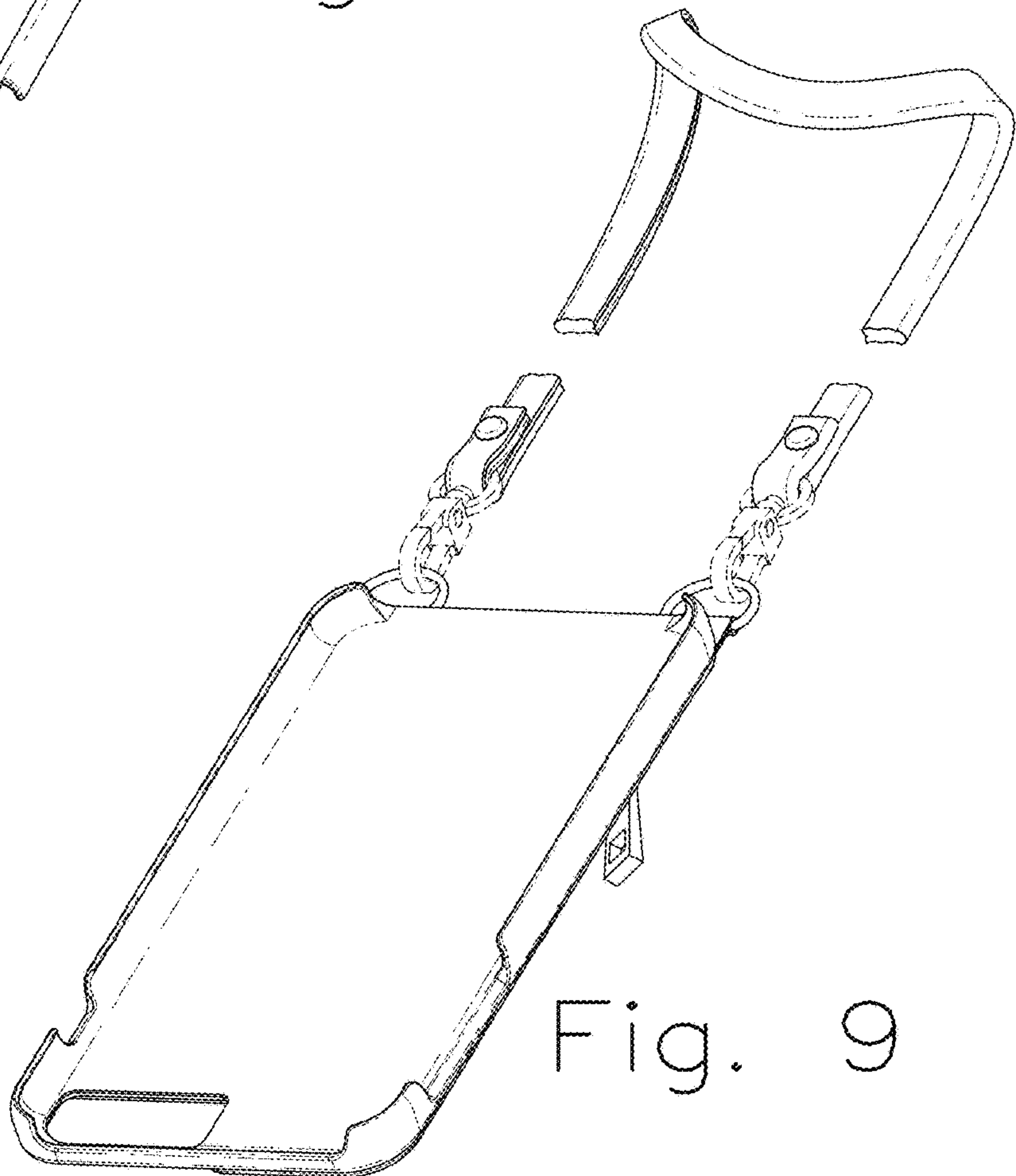


Fig. 9

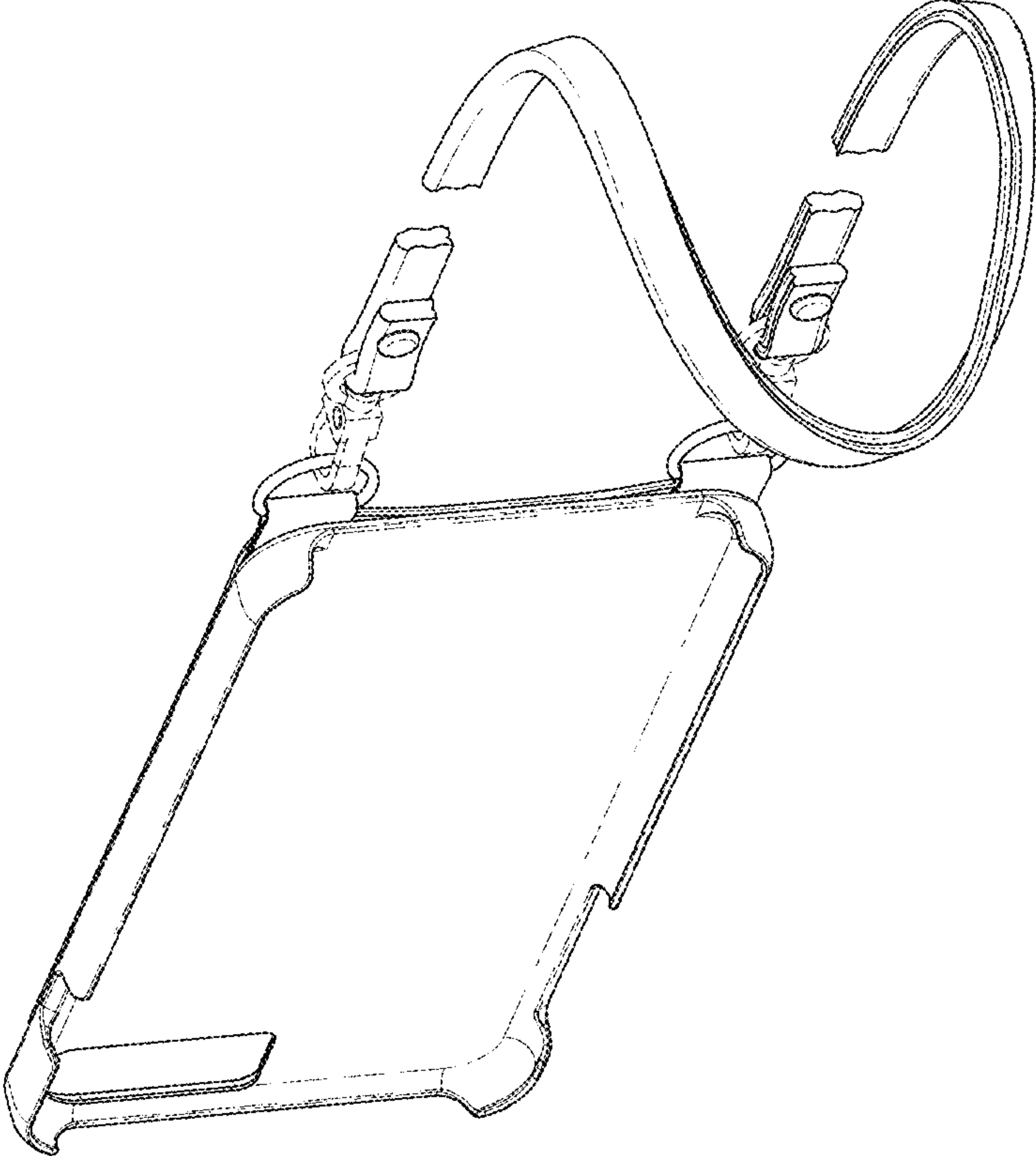


Fig.
10