

US00D840675S

(12) **United States Design Patent**
Peris et al.

(10) **Patent No.:** **US D840,675 S**

(45) **Date of Patent:** **** Feb. 19, 2019**

(54) **BAG**

(71) Applicant: **Fisher & Paykel Healthcare Limited,**
Auckland (NZ)

(72) Inventors: **Robbie Gavin Peris,** Auckland (NZ);
Andrew Paul Maxwell Salmon,
Auckland (NZ)

(73) Assignee: **FISHER & PAYKEL HEALTHCARE**
LIMITED, Auckland (NZ)

(**) Term: **15 Years**

(21) Appl. No.: **29/600,723**

(22) Filed: **Apr. 14, 2017**

(51) **LOC (11) Cl.** **03-01**

(52) **U.S. Cl.**

USPC **D3/203.1; D3/285**

(58) **Field of Classification Search**

USPC D3/201, 203.1, 203.6, 203.7, 213, 216,
D3/217, 232, 235, 242, 269, 273, 274,
D3/276, 283, 289, 291, 900, 902, 904

CPC A45C 3/00; A45C 2003/008; A45C
2007/0004; A45C 9/00; A45C 7/00; A45F
3/00; A47C 17/82

See application file for complete search history.

(56) **References Cited**

U.S. PATENT DOCUMENTS

D282,602 S * 2/1986 Allen D3/287
D305,798 S * 1/1990 Say D3/203.6
D444,627 S * 7/2001 Starck D3/276
D460,622 S * 7/2002 Wong D3/232

(Continued)

OTHER PUBLICATIONS

Spoonful of Sugar, "The Jackie Duo Bag", Reviewed on Jan. 24,
2018. (<https://spoonfulofsugar.biz/shop/jackie-duo-bag-for-cpap-bipap-machines/>).*

(Continued)

Primary Examiner — Jennifer Rivard

Assistant Examiner — April Rivas

(74) *Attorney, Agent, or Firm* — Knobbe, Martens, Olson
and Bear, LLP

(57) **CLAIM**

The ornamental design for a bag, as shown and described.

DESCRIPTION

FIG. 1 is a top, front, and side perspective view of a bag
embodying our new design;

FIG. 2 is a front view thereof;

FIG. 3 is a right side view thereof;

FIG. 4 is a rear view thereof;

FIG. 5 is a left side view thereof;

FIG. 6 is a top view thereof;

FIG. 7 is a bottom view thereof;

FIG. 8 is a top view thereof with internal dividers in a first
orientation extending across a width of the bag with end
portions of the dividers attached to the sides of the bag and
extending towards a center of the bag;

FIG. 9 is an enlarged left side view of a portion of the
interior thereof, showing one of the dividers in a second
orientation with the divider ends folded towards an end of
the bag, wherein the other divider can assume an identical
orientation;

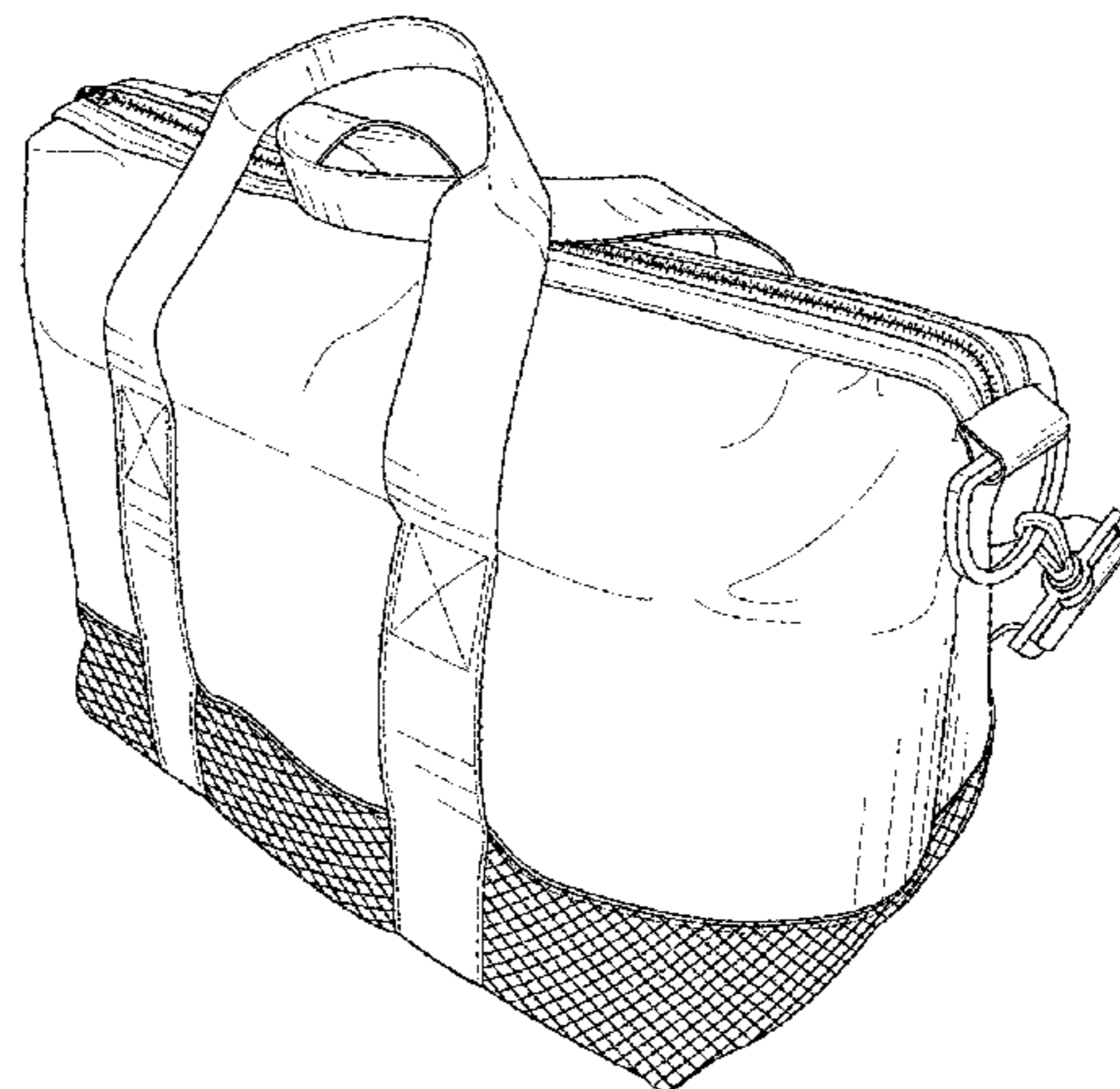
FIG. 10 is a top view thereof with the dividers in a third
orientation with one end released and the dividers folded
towards respective sides of the bag;

FIG. 11 is a top view thereof with the dividers in a fourth
orientation with one end released and the dividers folded
towards respective ends of the bag; and,

FIG. 12 is a bottom front perspective view of the bag in a
compressed position.

The broken lines illustrate stitching and form no part of the
claimed design.

1 Claim, 12 Drawing Sheets



(56)

References Cited

U.S. PATENT DOCUMENTS

D501,600 S *	2/2005	Guyon	D3/246
D600,452 S *	9/2009	Gonzalez	D3/240
D633,293 S *	3/2011	Krakoff	D3/232
D641,552 S *	7/2011	Sosnovsky	D3/283
D656,312 S *	3/2012	Gerbi	D3/232
D768,378 S *	10/2016	Schilp	D3/232
D800,444 S *	10/2017	Burton	D3/203.1
2012/0145720 A1 *	6/2012	Hicks	A45C 3/00 220/592.2
2015/0201722 A1 *	7/2015	Brouard	A45C 3/001 150/107

OTHER PUBLICATIONS

CPAP-Supply, "Philips Respiroics PAP Travel Bag", Reviewed on Apr. 8, 2015. (<https://www.cpap-supply.com/PAP-Travel-Bag-p/1114784.htm>).*

* cited by examiner



FIG. 1

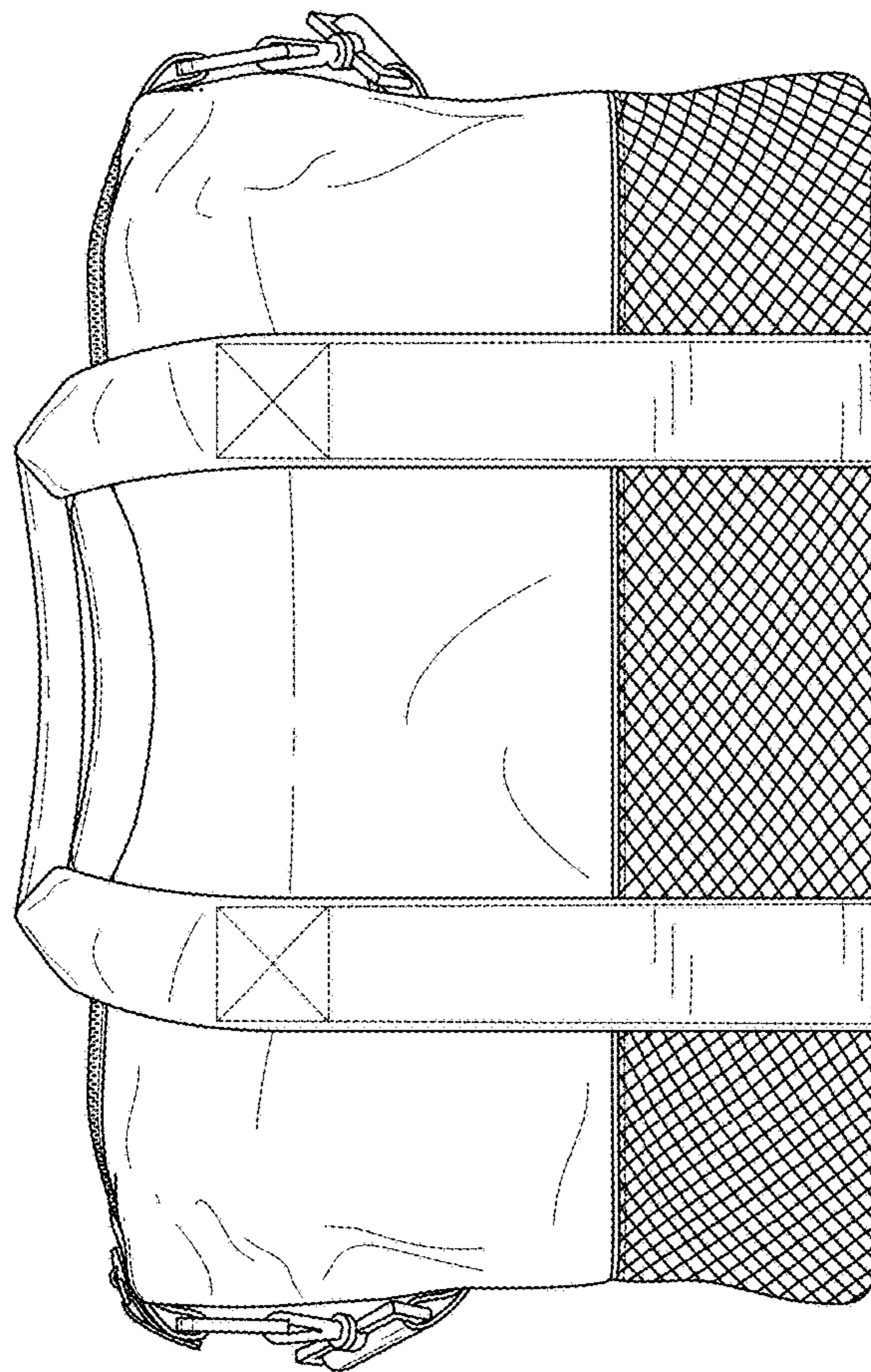


FIG. 2

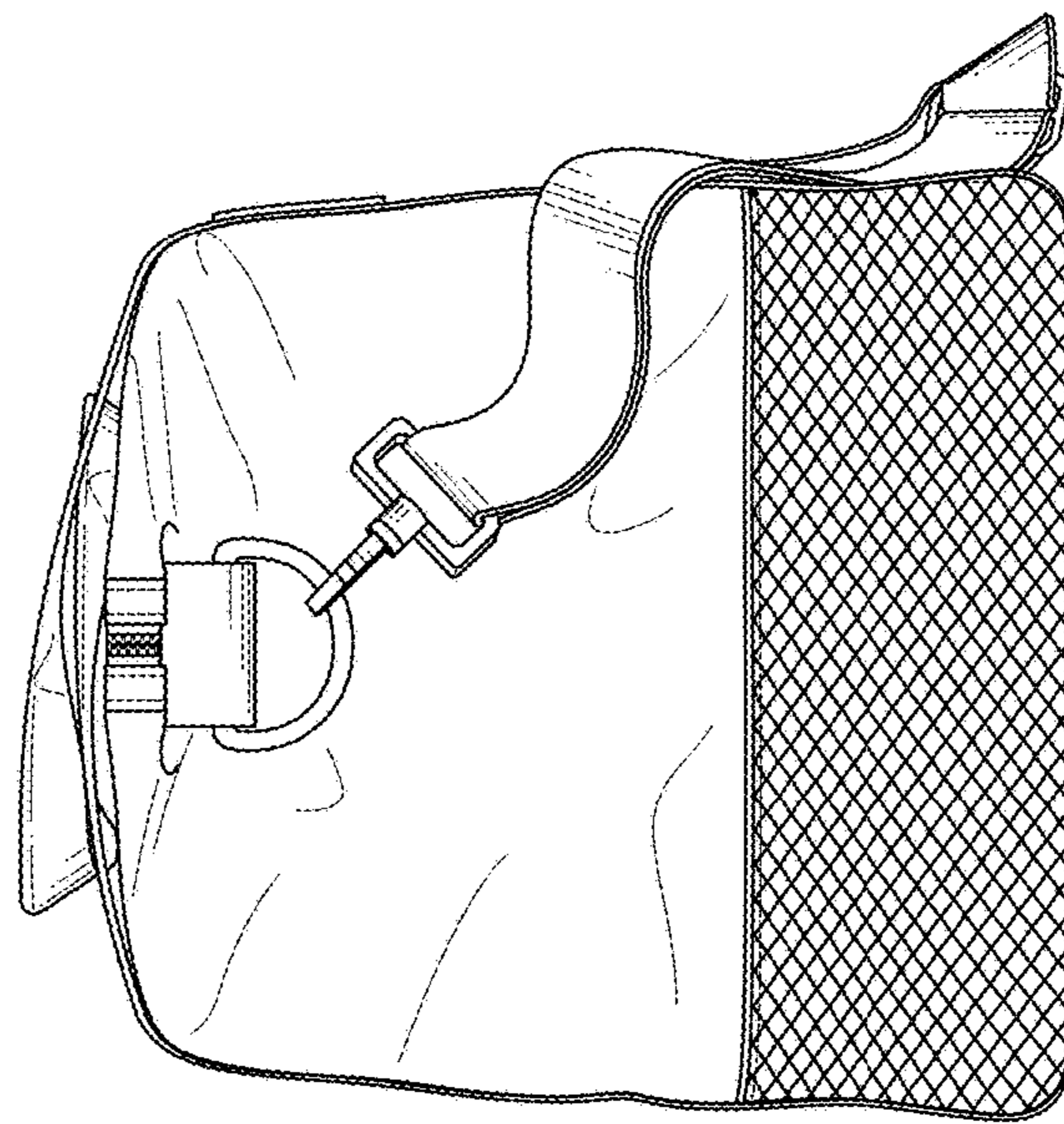


FIG. 3

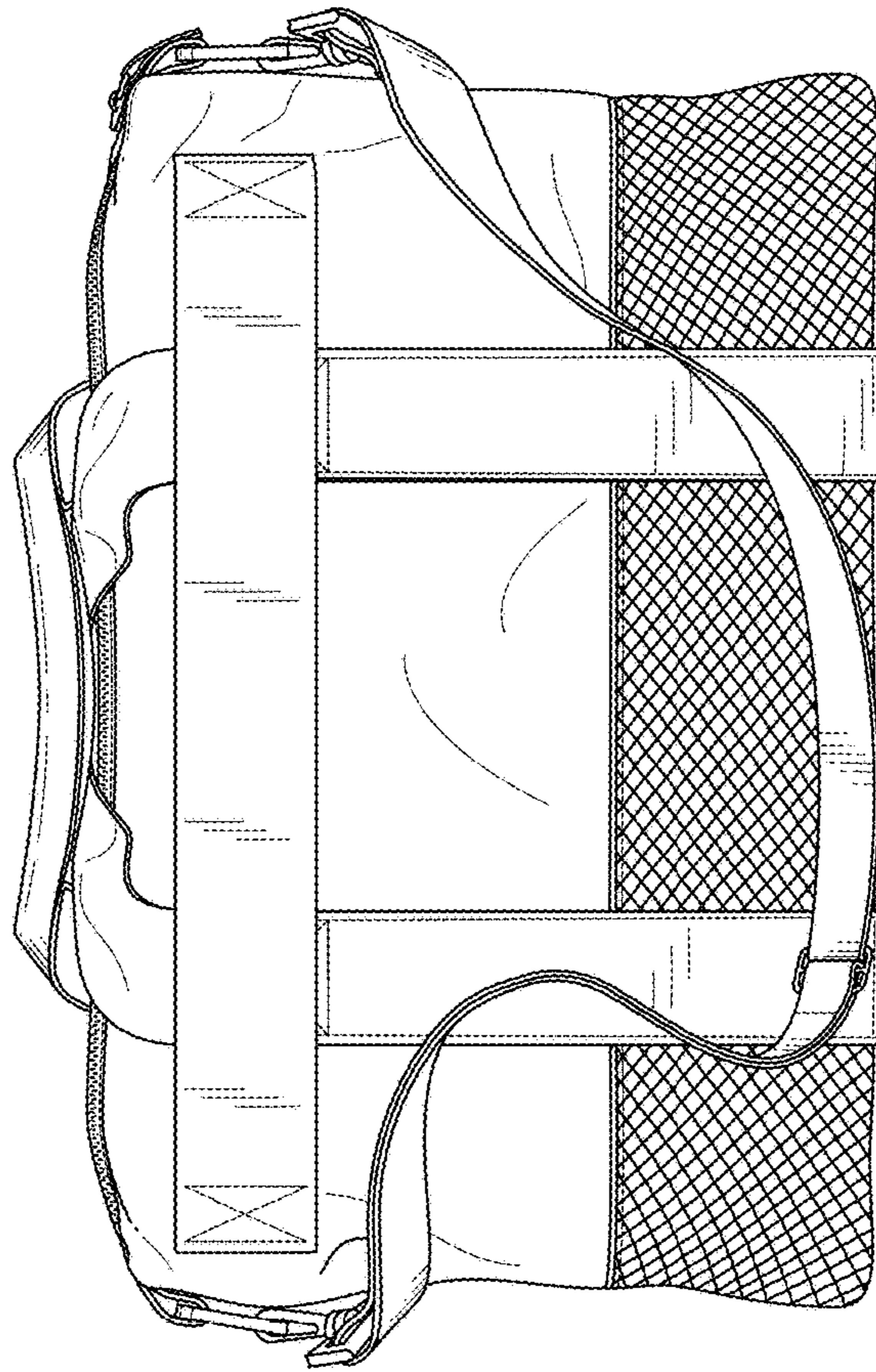


FIG. 4

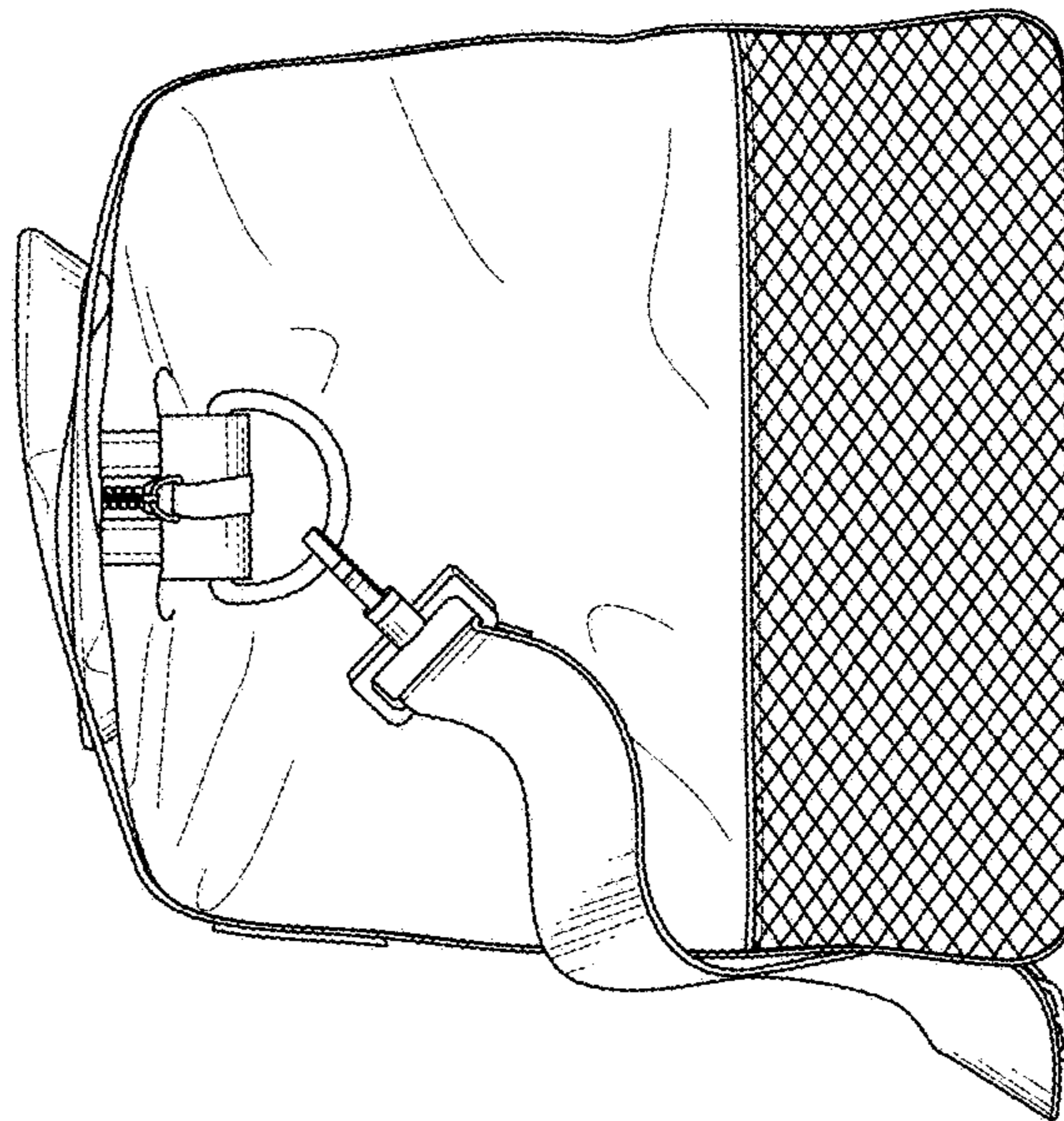


FIG. 5

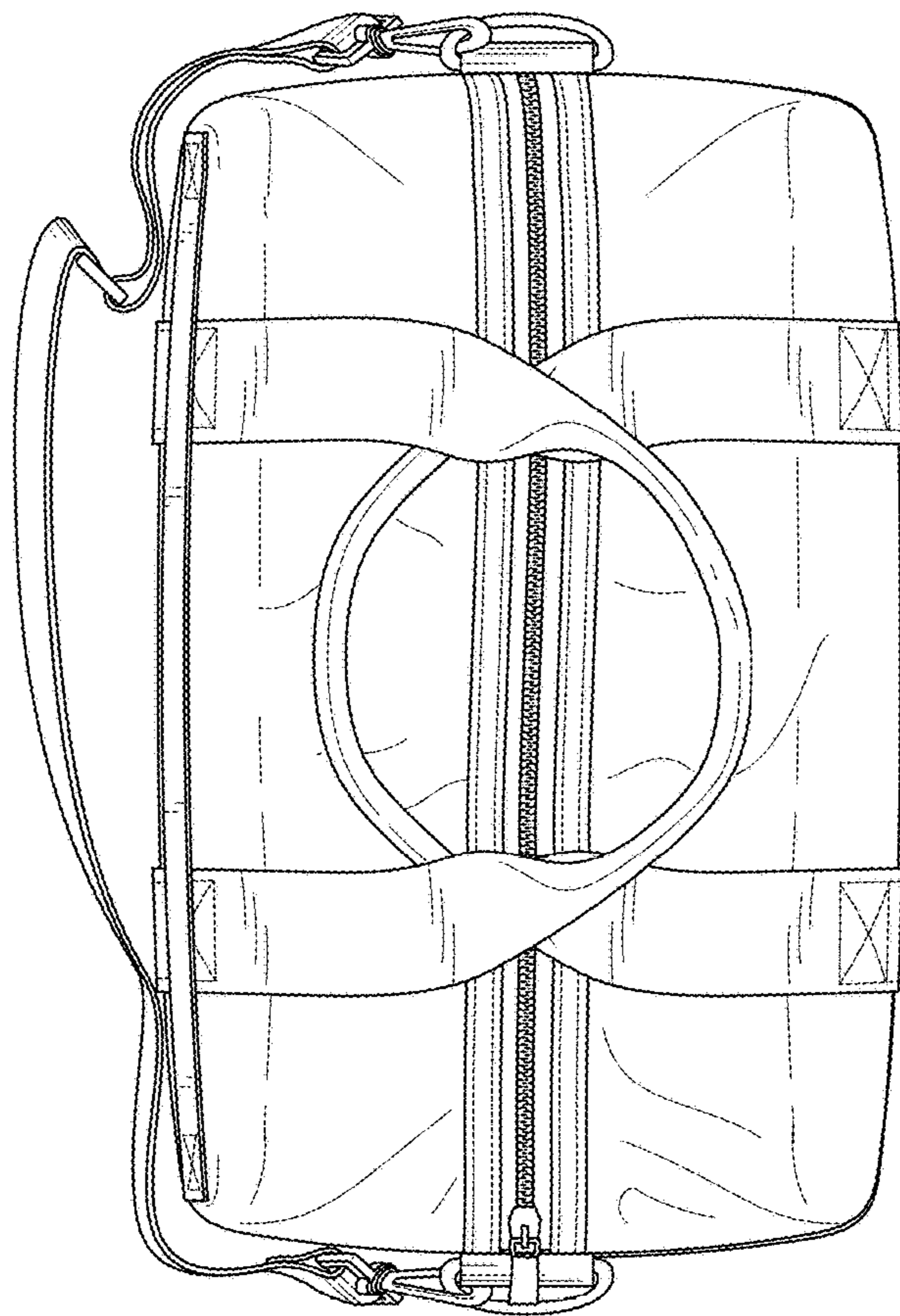


FIG. 6

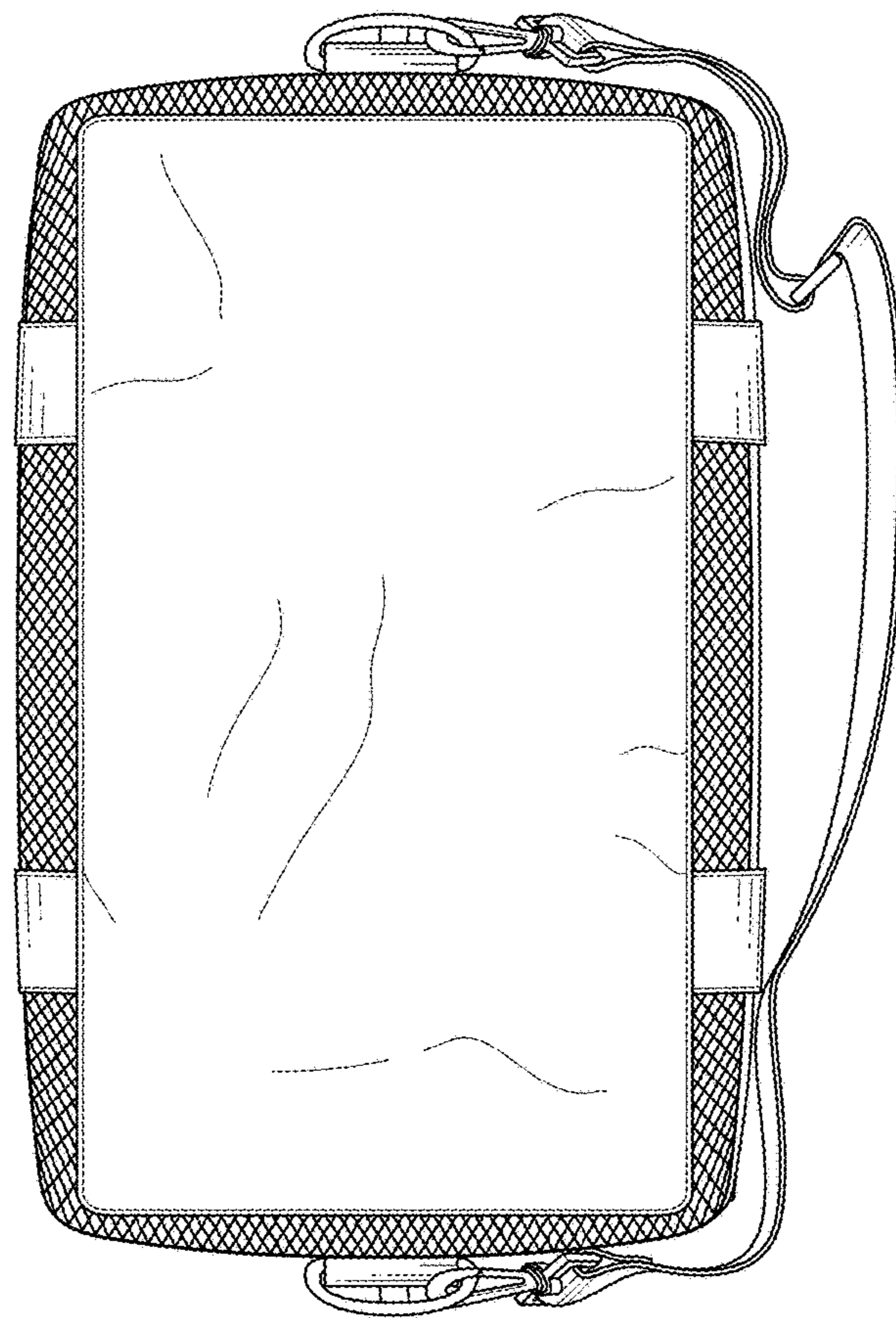


FIG. 7

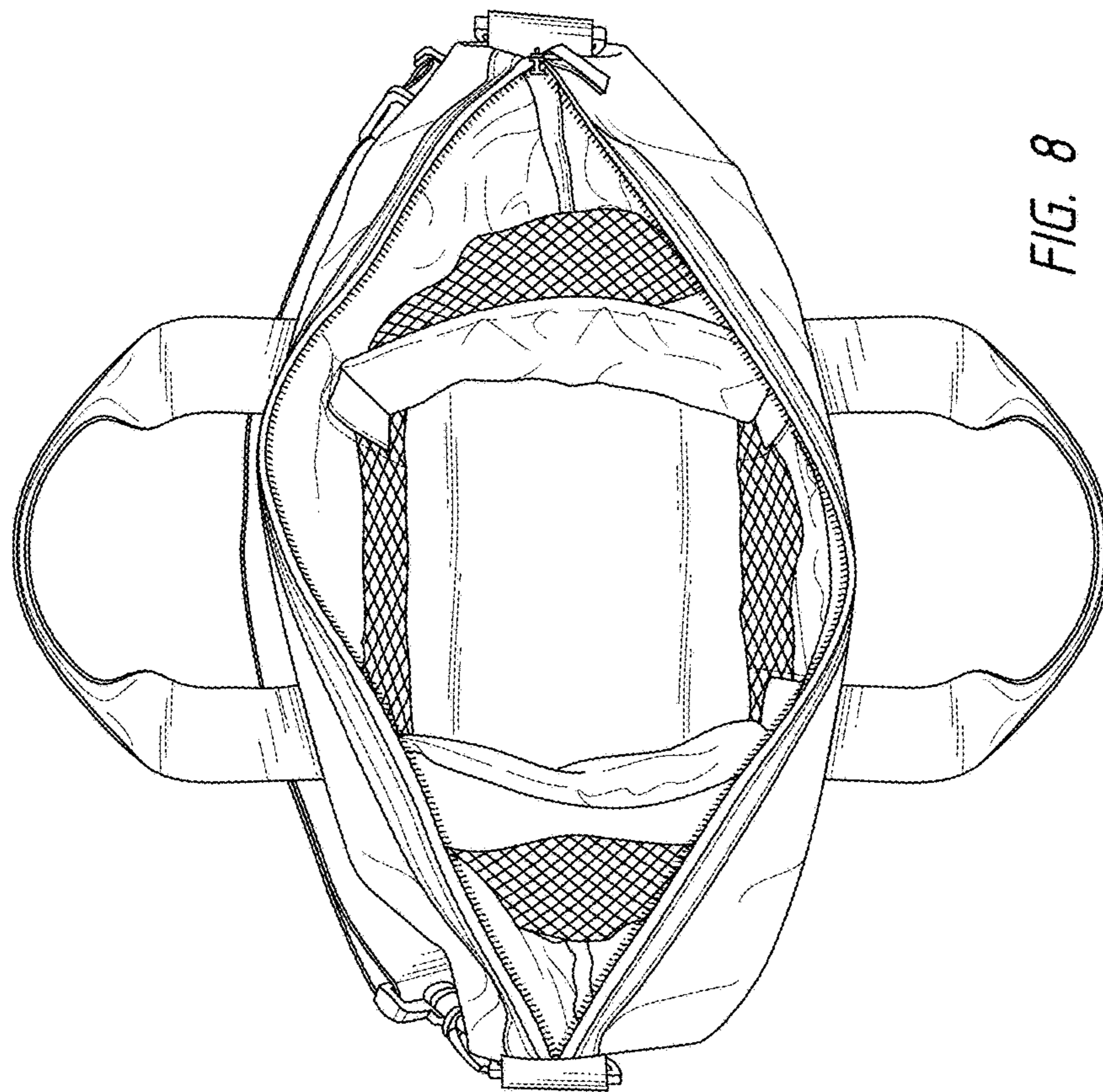


FIG. 8

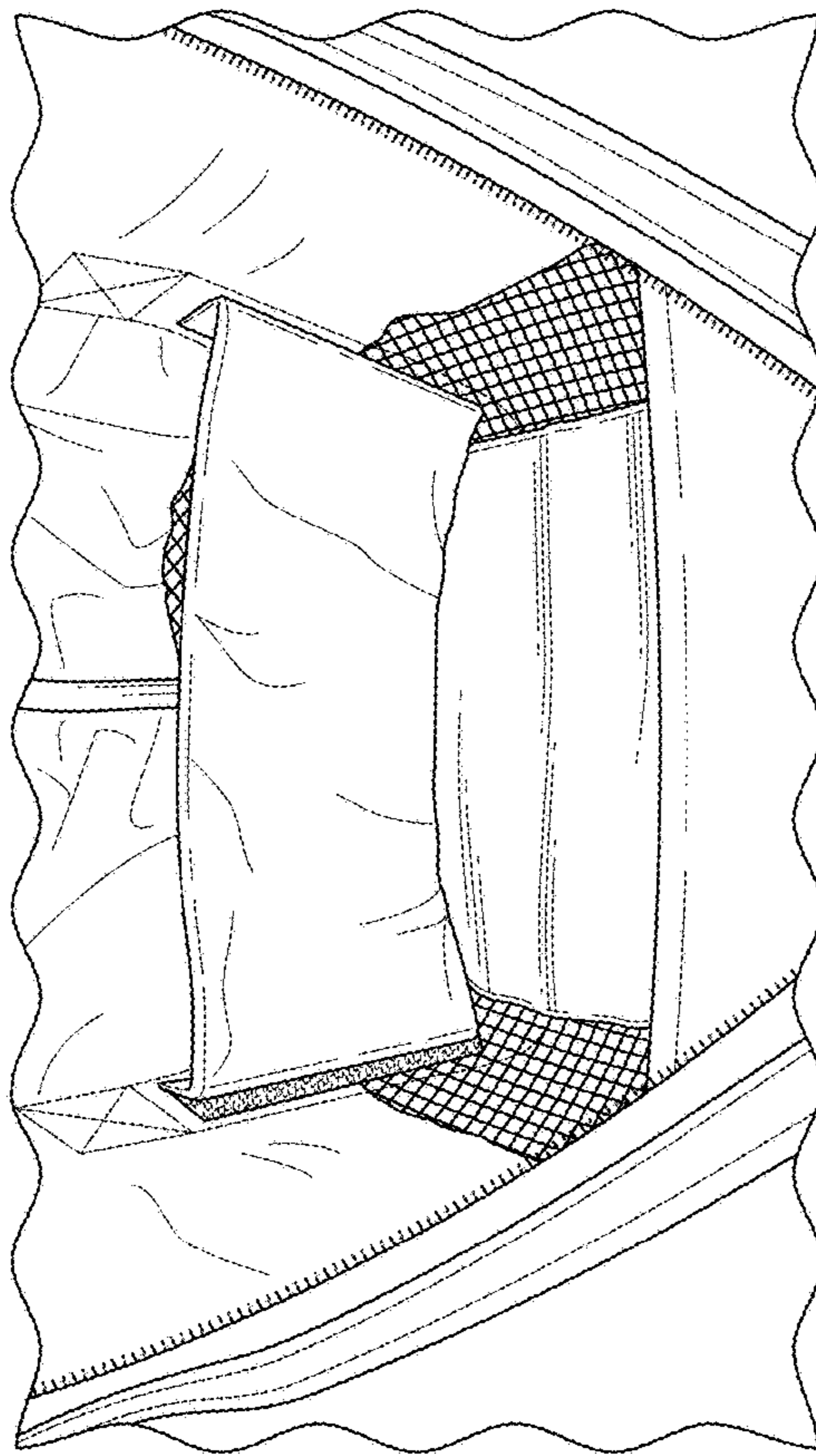


FIG. 9

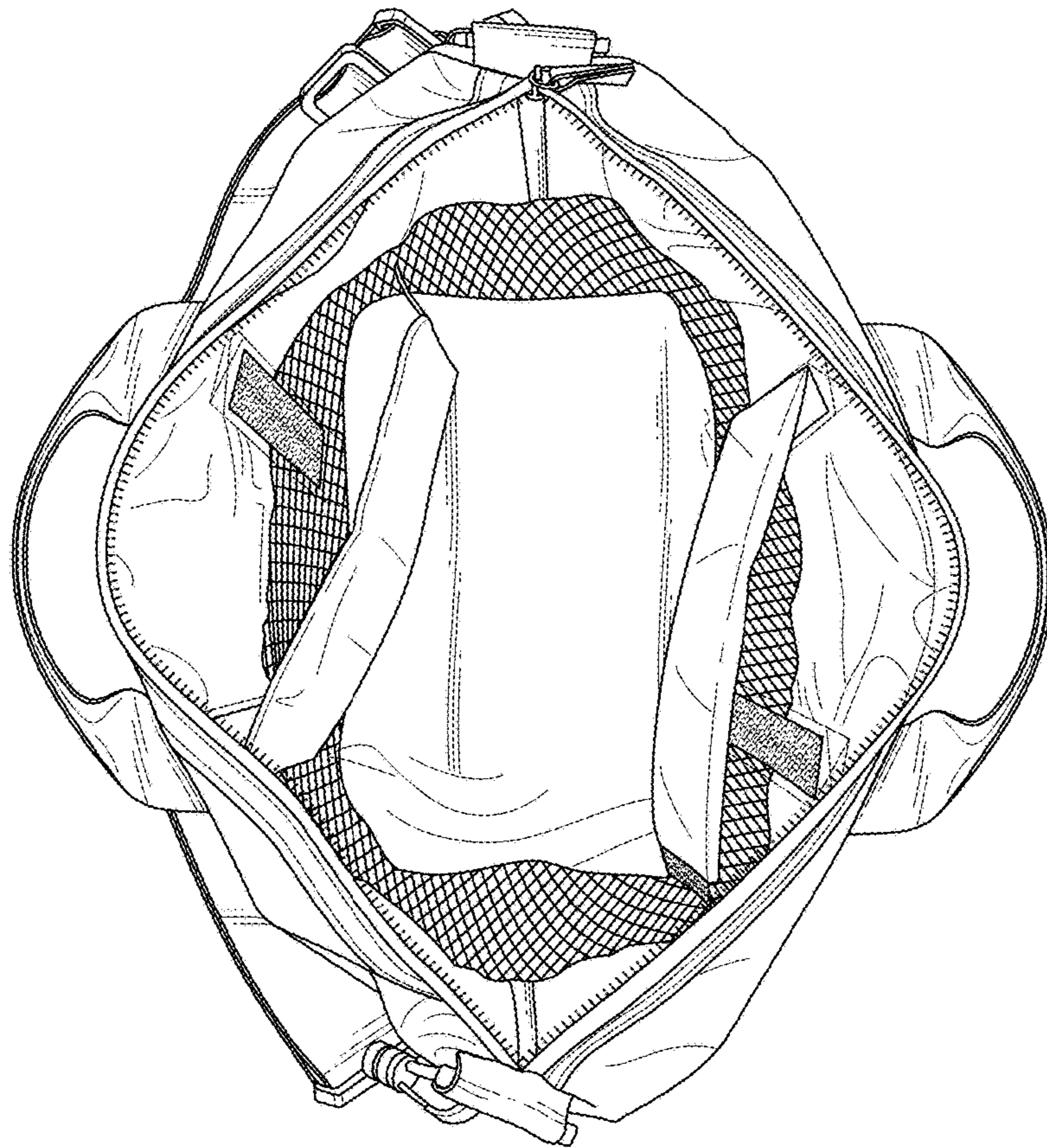


FIG. 10

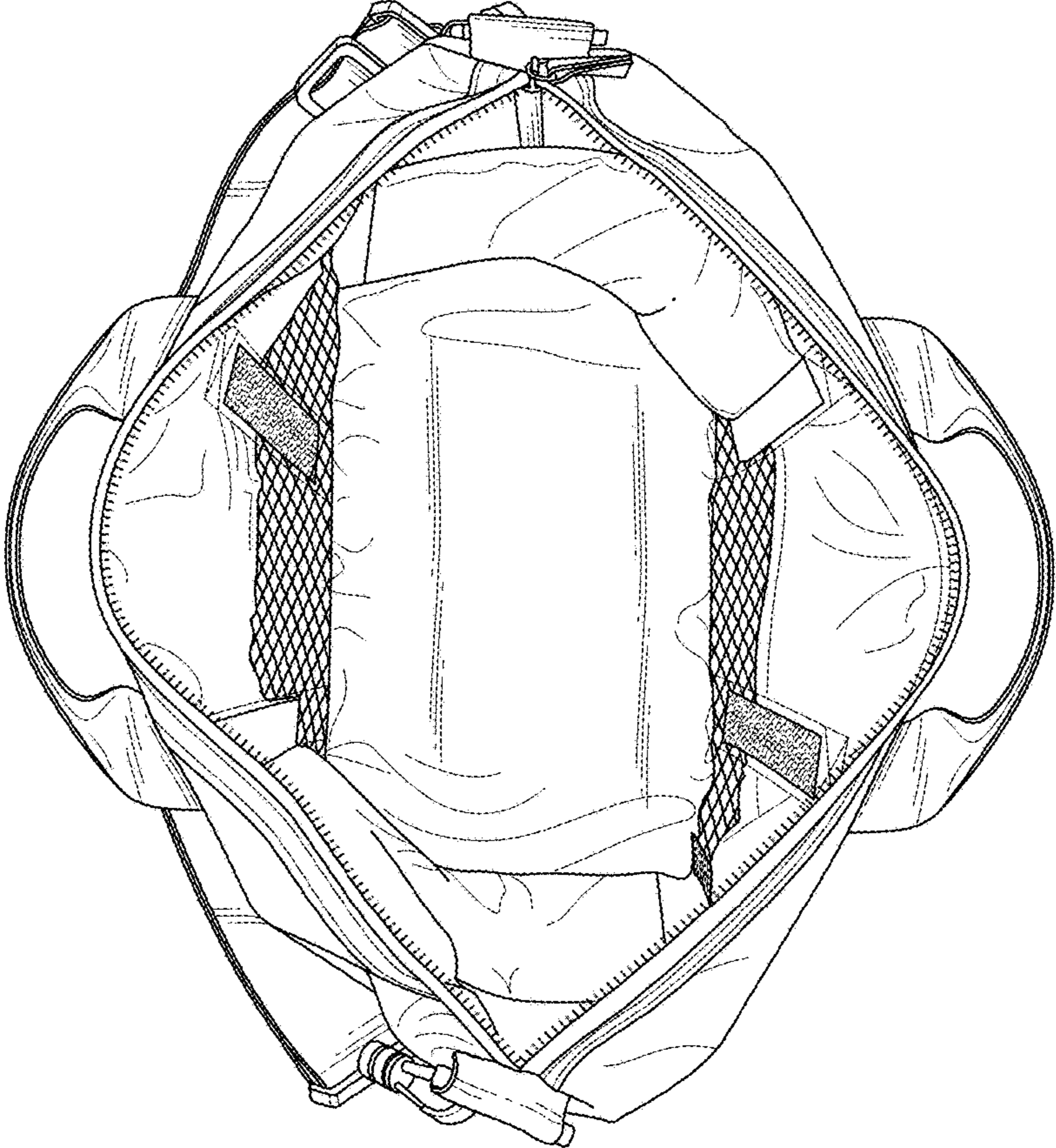


FIG. 11

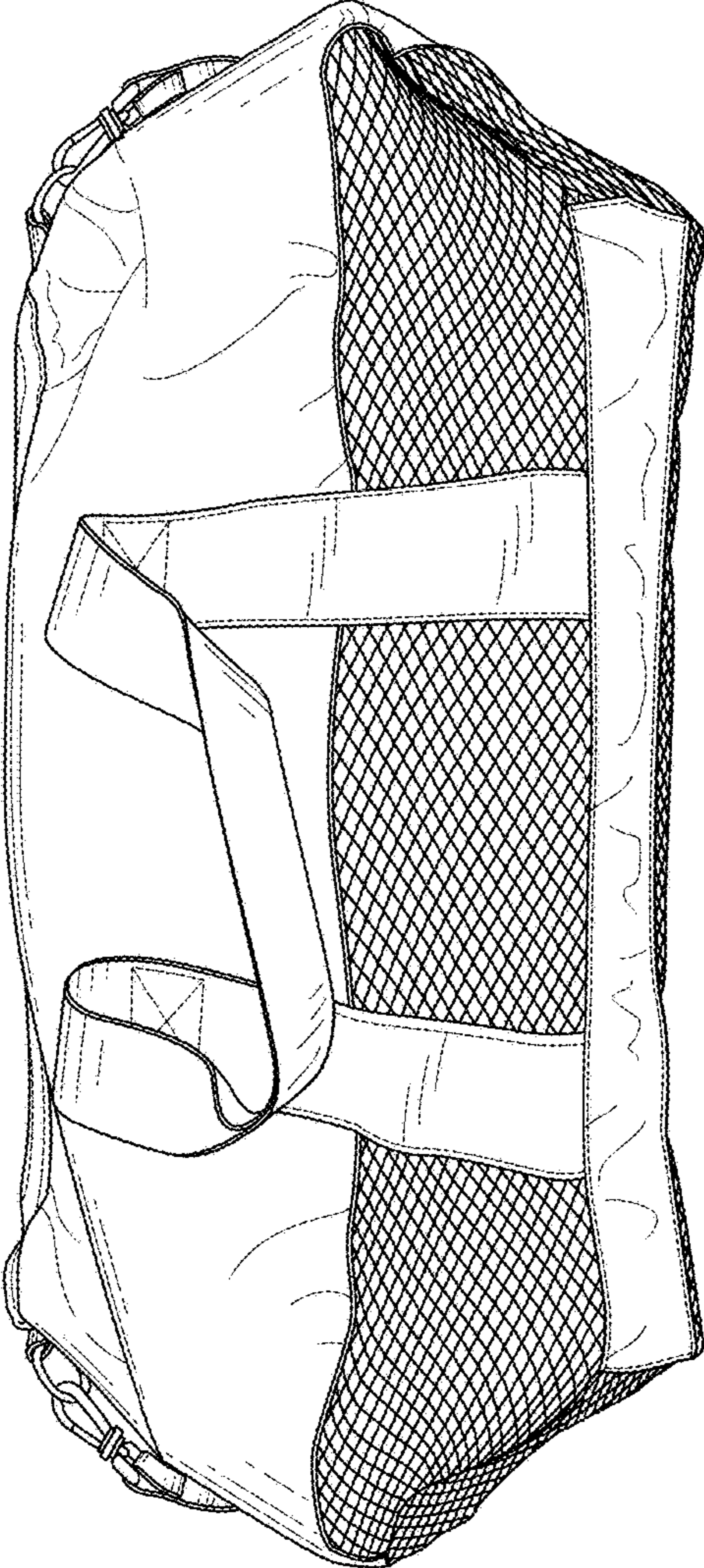


FIG. 12