



US00D840671S

(12) **United States Design Patent** (10) **Patent No.:** **US D840,671 S**
Akin et al. (45) **Date of Patent:** **** *Feb. 19, 2019**

(54) **UMBRELLA WITH SOLAR PANELS**

(71) Applicant: **ZON**, Manhattan Beach, CA (US)

(72) Inventors: **Sarah Akin**, Manhattan Beach, CA (US); **David Johnson**, San Francisco, CA (US)

(73) Assignee: **ZON**, Manhattan Beach, CA (US)

(*) Notice: This patent is subject to a terminal disclaimer.

(**) Term: **15 Years**

(21) Appl. No.: **29/567,295**

(22) Filed: **Jun. 7, 2016**

Related U.S. Application Data

(60) Division of application No. 29/484,513, filed on Mar. 10, 2014, now Pat. No. Des. 758,062, which is a continuation-in-part of application No. 29/467,880, filed on Sep. 24, 2013, now Pat. No. Des. 748,905.

(51) **LOC (11) Cl.** **03-03**

(52) **U.S. Cl.**
USPC **D3/5**; D3/10; D13/102

(58) **Field of Classification Search**
USPC D3/5, 10; 135/15.1, 33.2, 20.1; 320/101; D13/102
CPC ... A45B 23/00; A45B 3/04; A45B 2200/1018; A45B 2200/1027; H02J 7/0047; H02J 7/35
See application file for complete search history.

(56) **References Cited**

U.S. PATENT DOCUMENTS

1,397,789 A 11/1921 Stonestreet
D151,655 S 11/1948 Preaus
D162,617 S * 3/1951 Benivegna 135/33.7
D248,042 S 5/1978 Ouelette

4,193,389 A 3/1980 Ku
4,527,721 A 7/1985 Goldstein
D336,982 S 7/1993 Johnson
D373,465 S 9/1996 Chipman
D373,467 S 9/1996 Chipman
D373,468 S 9/1996 Dubinsky
D396,741 S 8/1998 Vitali et al.
D443,409 S 6/2001 Pilz et al.
6,830,058 B2 12/2004 Li
6,923,058 B2 8/2005 Nieman et al.
7,000,624 B2 2/2006 Chang
7,013,903 B2 3/2006 Li
D530,269 S 10/2006 Fowler et al.
D561,460 S 2/2008 Peterson
7,562,667 B2 7/2009 Li
D600,200 S 9/2009 Dimov et al.
D668,443 S 10/2012 Sims, II
8,360,079 B2 1/2013 Li

(Continued)

OTHER PUBLICATIONS

Solar Powered Umbrella with USB Ports Product Reference, Apr. 5, 2013, 17 pages.

Primary Examiner — John Windmuller

(74) *Attorney, Agent, or Firm* — Aka Chan LLP

(57) **CLAIM**

The ornamental design for an umbrella with solar panels, as shown and described.

DESCRIPTION

These applications are incorporated by reference along with U.S. Pat. application Ser. No. 29/461,658, filed Jul. 26, 2013.

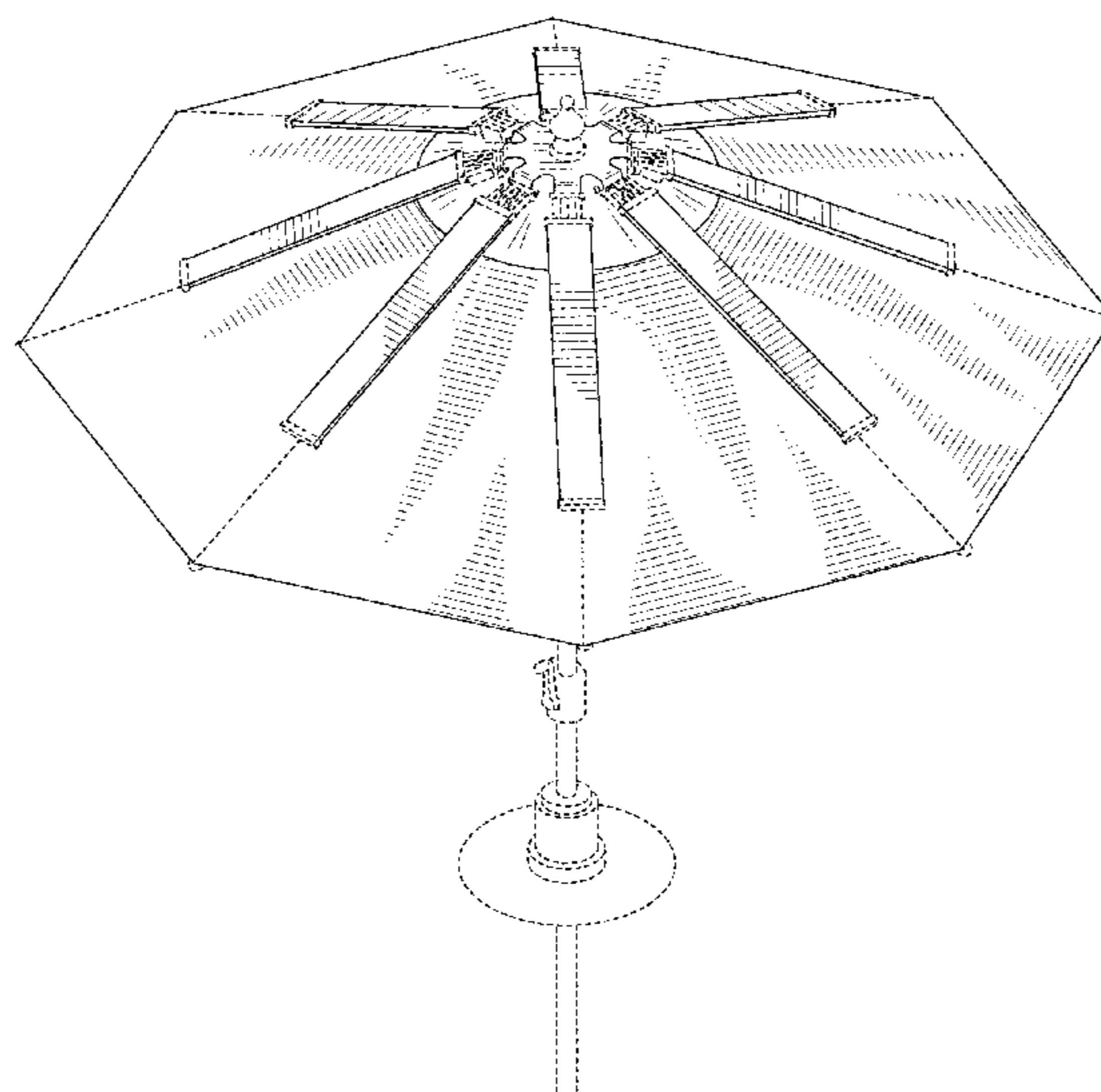
FIG. 1 shows a perspective view of a design for an umbrella with solar panels.

FIG. 2 shows a top view of the design; and,

FIG. 3 shows a side view of the design.

The broken-line features in the figures are for illustrative purposes only and form no part of the claimed design.

1 Claim, 3 Drawing Sheets



(56)

References Cited

U.S. PATENT DOCUMENTS

D680,949 S	4/2013	Swatek
D681,548 S	5/2013	Zhang et al.
D688,621 S	8/2013	Mozzardi et al.
D701,828 S	4/2014	Garrett-Schesch
D701,829 S	4/2014	Garrett-Schesch
8,695,614 B2	4/2014	Chaimovski et al.
D724,524 S	3/2015	Garrett-Schesch
D728,466 S	5/2015	Ehram et al.
9,088,181 B2	7/2015	Akin et al.
2005/0161067 A1	7/2005	Hollins
2009/0058354 A1	3/2009	Harrison

* cited by examiner

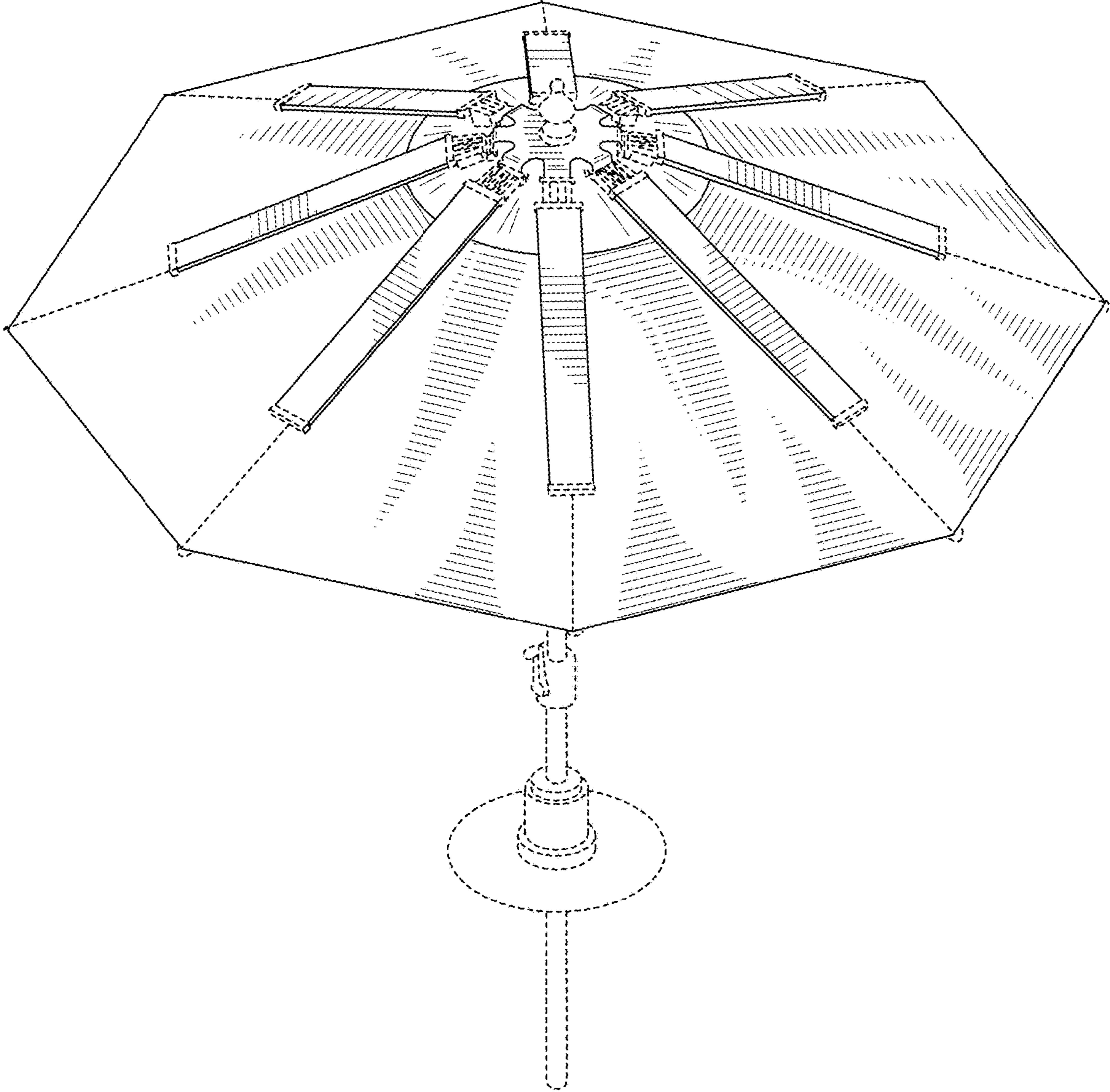


FIG. 1

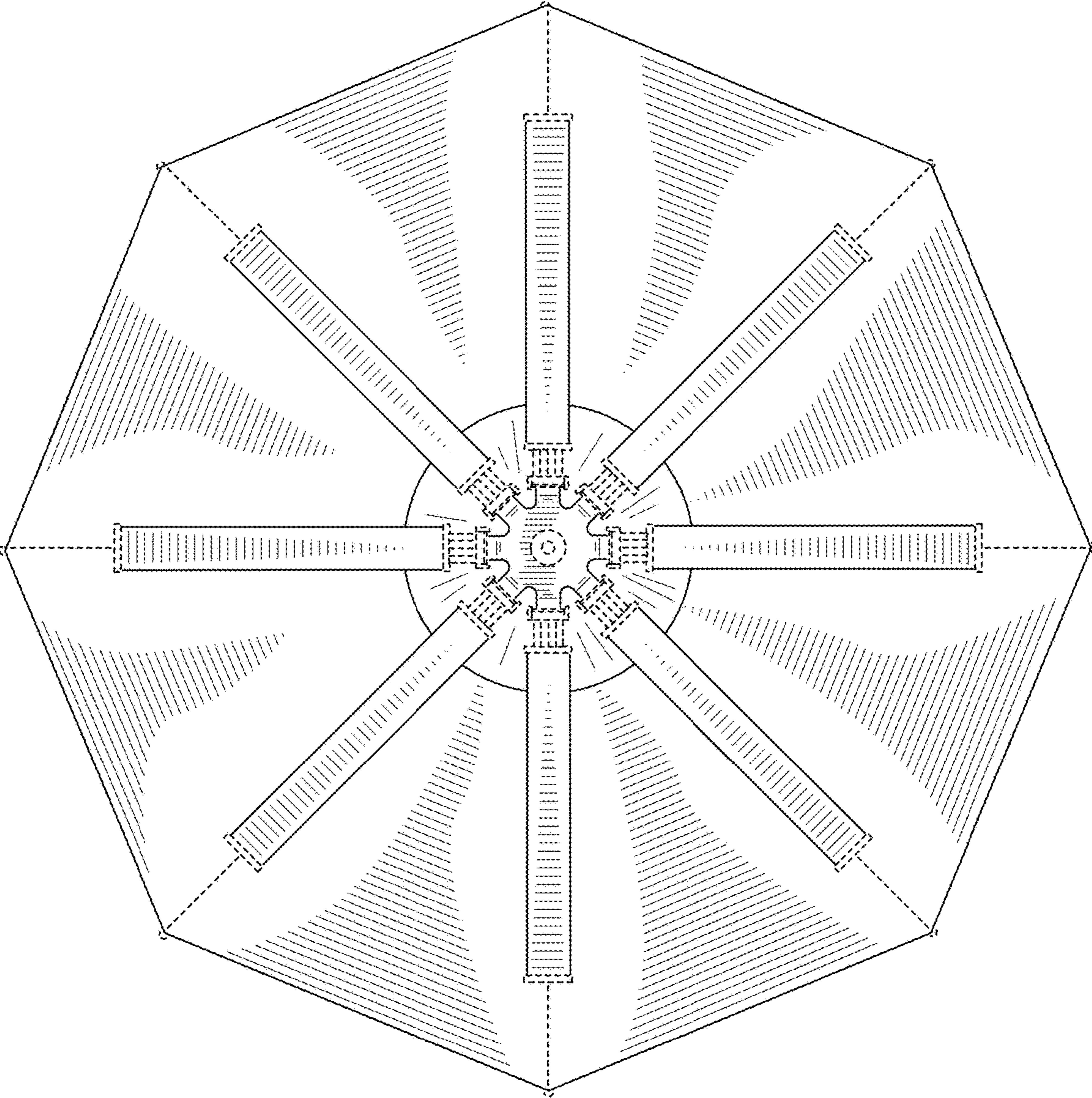


FIG. 2

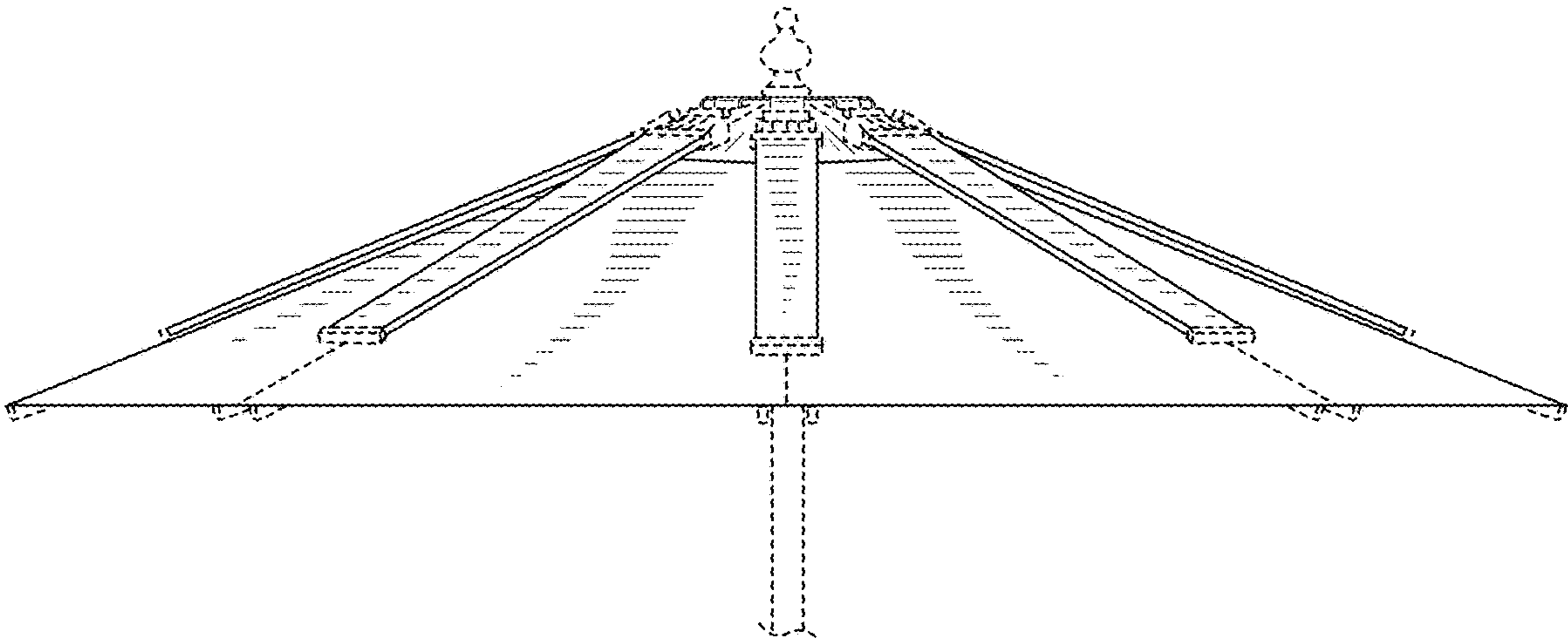


FIG. 3