



US00D840655S

(12) **United States Design Patent**  
**Castillo**

(10) **Patent No.:** **US D840,655 S**

(45) **Date of Patent:** **\*\* Feb. 19, 2019**

(54) **HEEL FOR SHOE**

(71) Applicant: **Mercedes Castillo LLC**, New York, NY (US)

(72) Inventor: **Mercedes Perez Castillo**, New York, NY (US)

(73) Assignee: **Mercedes Castillo LLC**, New York, NY (US)

(\*\*) Term: **15 Years**

(21) Appl. No.: **29/612,356**

(22) Filed: **Jul. 31, 2017**

(51) **LOC (11) Cl.** ..... **02-04**

(52) **U.S. Cl.**  
USPC ..... **D2/965**

(58) **Field of Classification Search**  
USPC ..... D2/902-922, 923-943, 964-965  
CPC ..... A43B 1/0036; A43B 21/00; A43B 21/02;  
A43B 21/06; A43B 9/14; A43B 1/0045;  
A43B 13/10; A43B 23/06; A43B 23/07;  
A43B 5/12  
See application file for complete search history.

(56) **References Cited**

**U.S. PATENT DOCUMENTS**

D95,629 S	*	5/1935	Bressler	.....	D2/930
D116,701 S	*	9/1939	Calderazzo	.....	D2/940
D192,409 S	*	3/1962	Joiner	.....	D2/965
D728,211 S		5/2015	Kirkwood		
D744,730 S	*	12/2015	Kirkwood	.....	D2/923
D770,738 S		11/2016	Choi		
D793,056 S	*	8/2017	Venturi	.....	D2/965
D802,262 S	*	11/2017	Kirkwood	.....	D2/926

**FOREIGN PATENT DOCUMENTS**

CN	303909019	*	3/2017
CN	304181526	*	6/2017

\* cited by examiner

*Primary Examiner* — Cynthia Ramirez

*Assistant Examiner* — Laura H Yu

(74) *Attorney, Agent, or Firm* — Wolf, Greenfield & Sacks, P.C.

(57) **CLAIM**

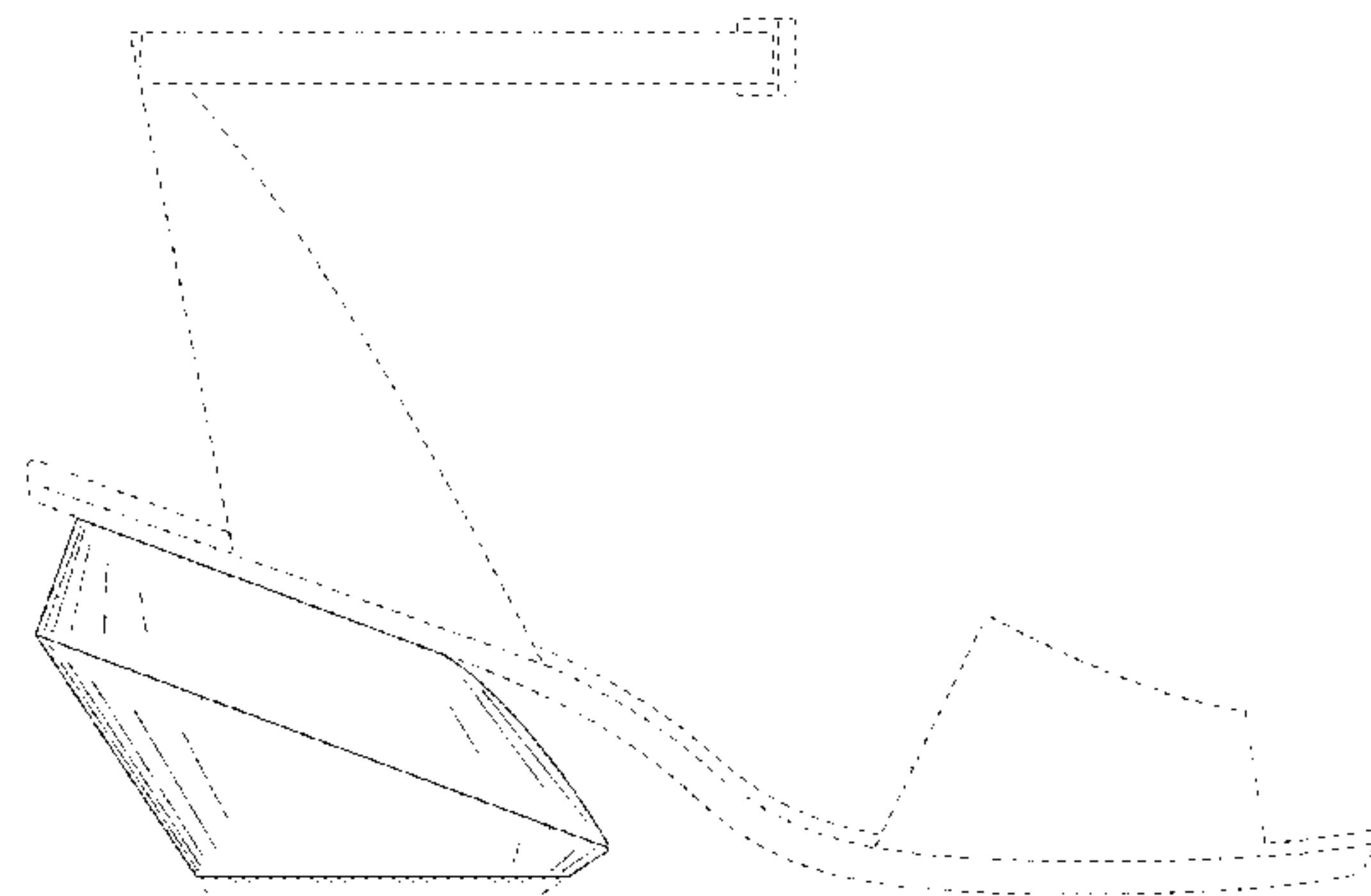
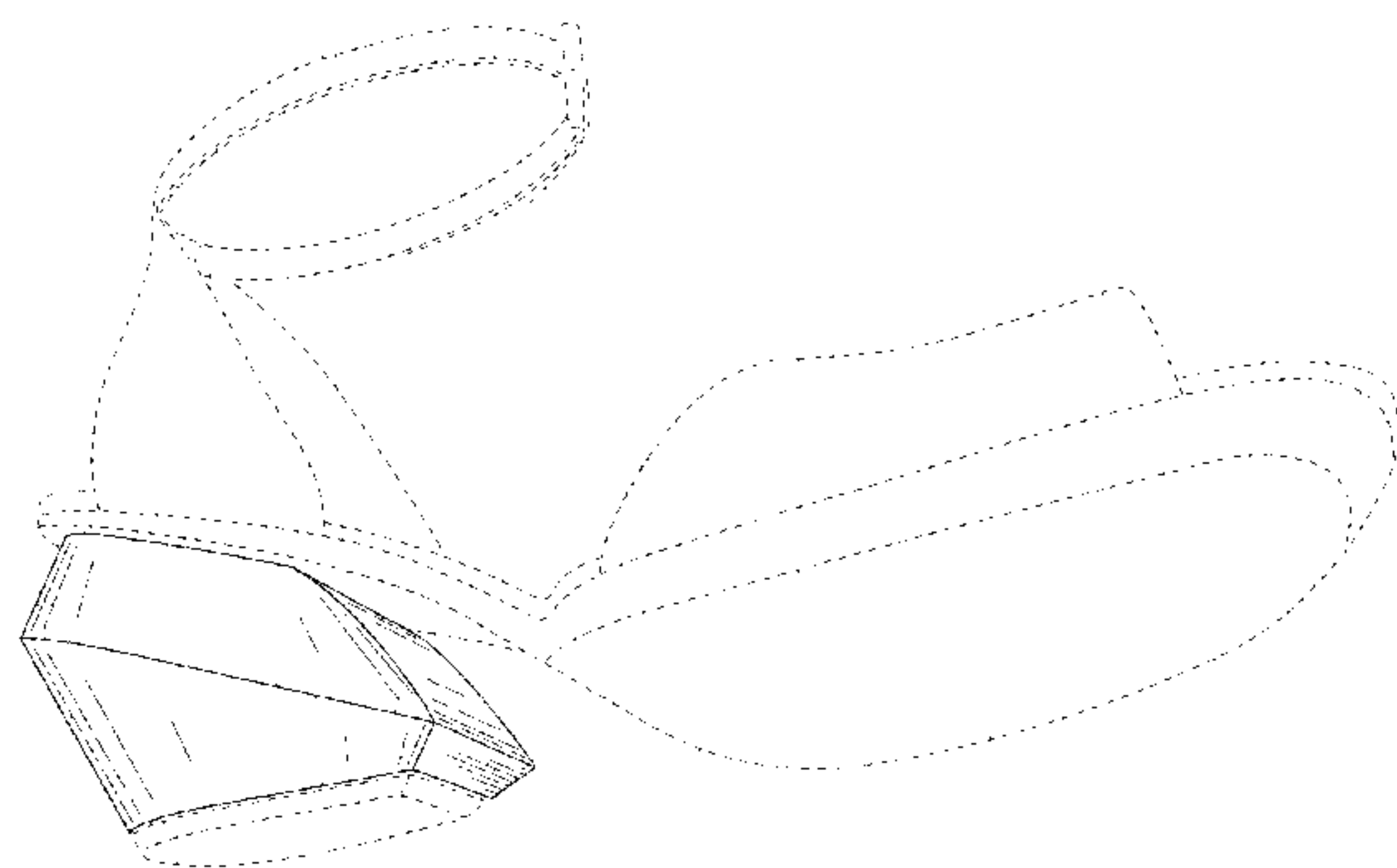
The ornamental design for a heel for shoe, as shown and described.

**DESCRIPTION**

FIG. 1 is a perspective view of a heel for shoe showing our new design;  
FIG. 2 is a left side elevation view of the heel for shoe shown in FIG. 1;  
FIG. 3 is a right side elevation view of the heel for shoe shown in FIG. 1;  
FIG. 4 is a bottom plan view of the heel for shoe shown in FIG. 1;  
FIG. 5 is a front elevation view of the heel for shoe shown in FIG. 1; and,  
FIG. 6 is a back elevation view of the heel for shoe shown in FIG. 1.

The broken lines showing a shoe are environment and form no part of the claimed design. The broken lines illustrating portions of the heel for shoe form no part of the claimed design.

**1 Claim, 6 Drawing Sheets**





**FIG. 1**

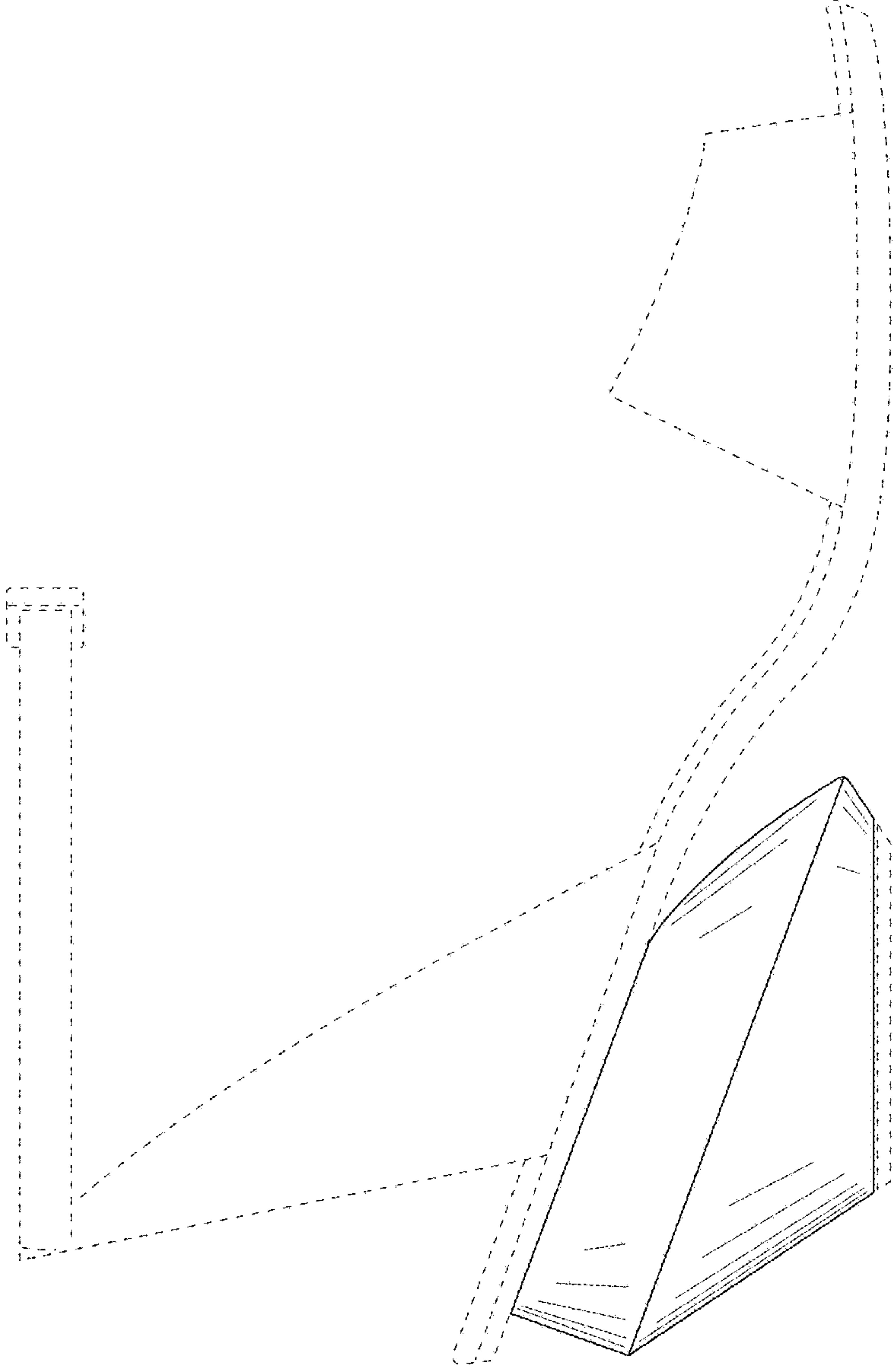


FIG. 2

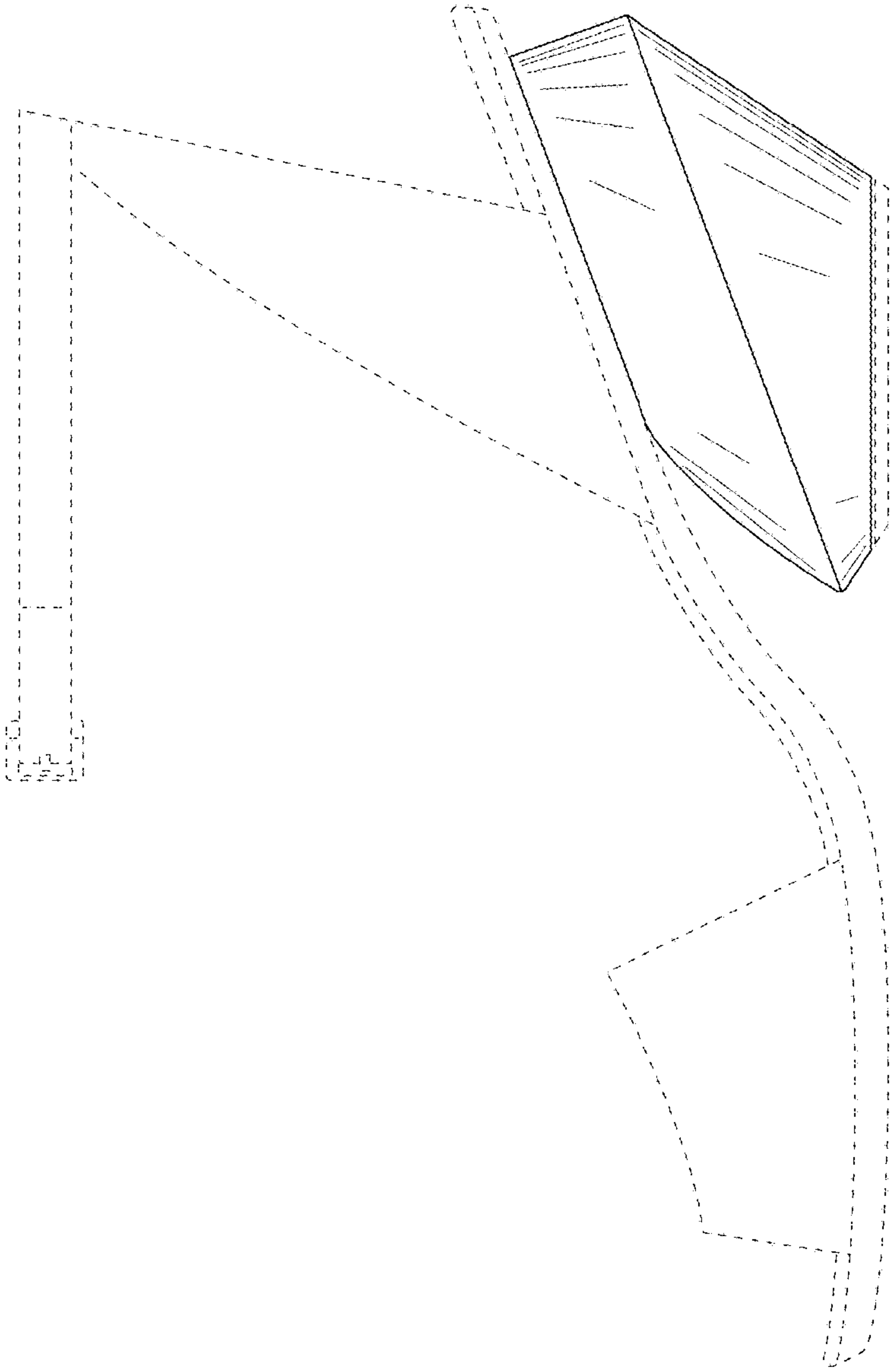
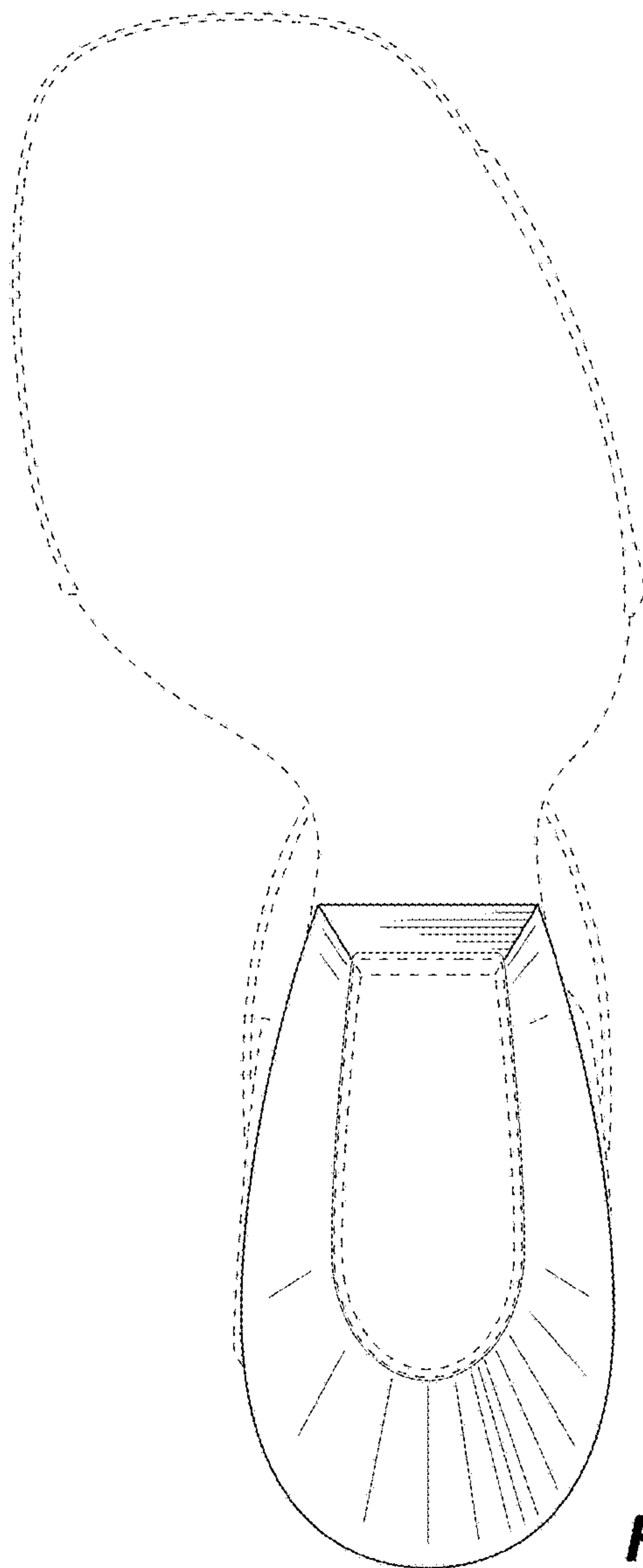
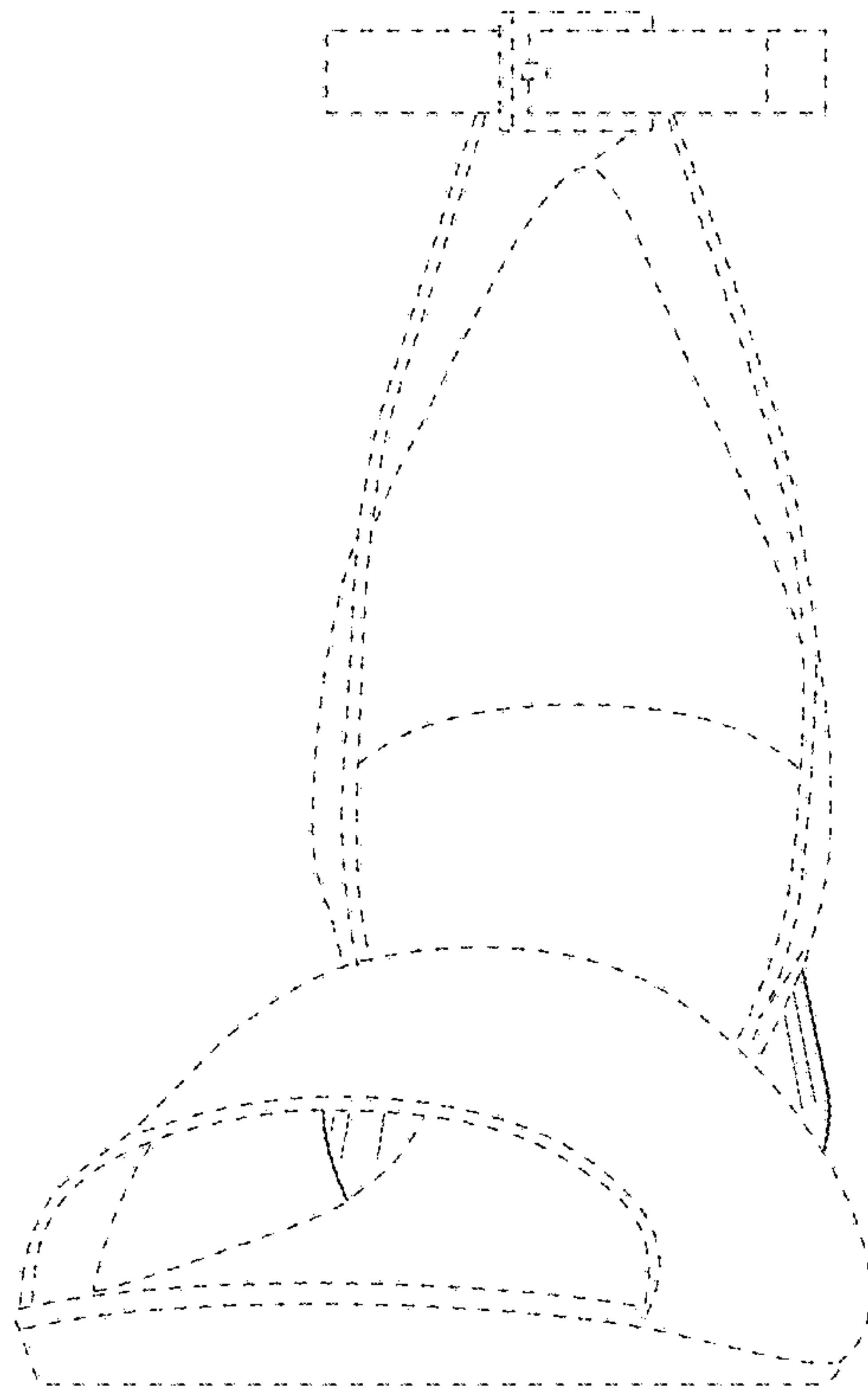


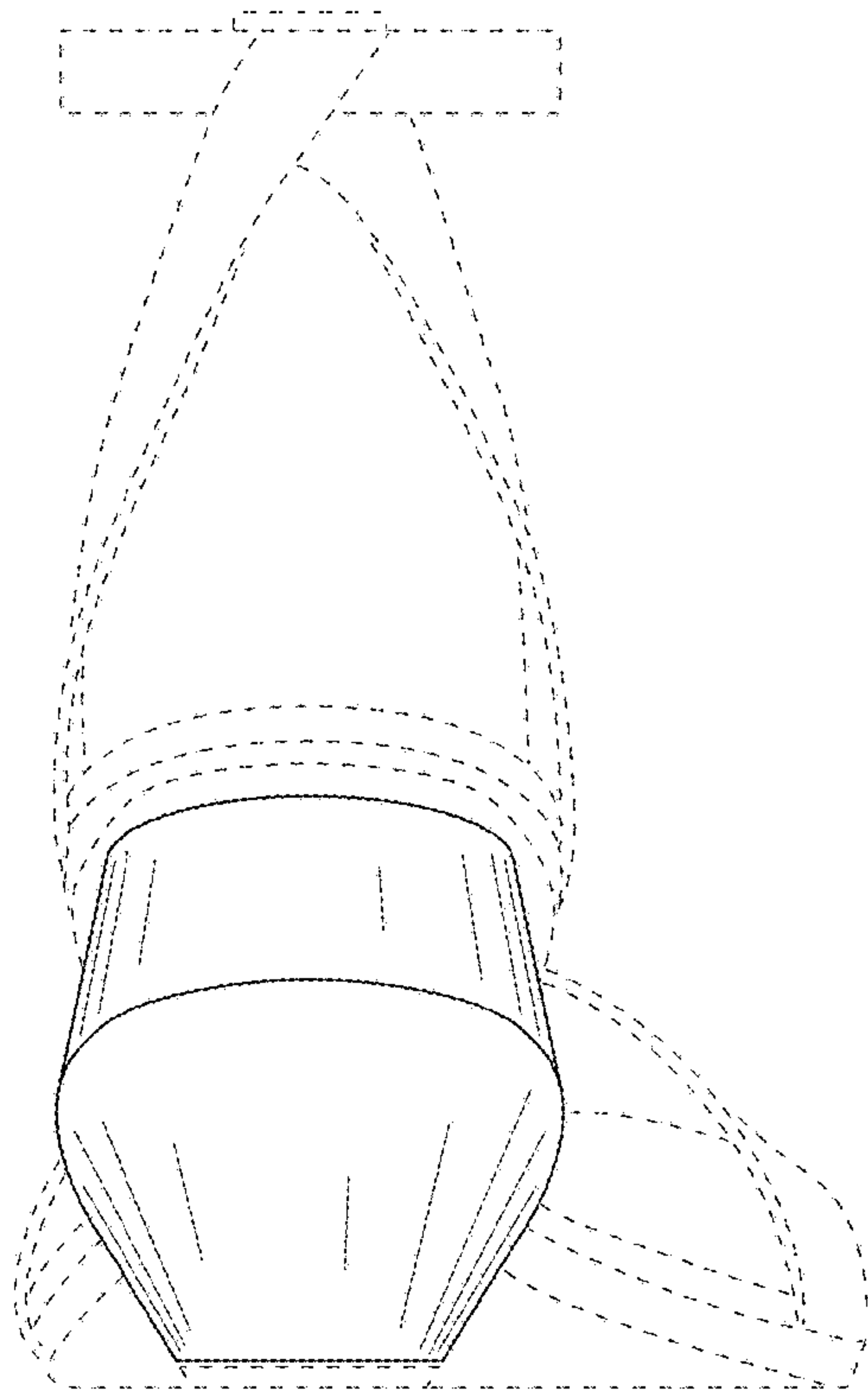
FIG. 3



**FIG. 4**



**FIG. 5**



**FIG. 6**