



US00D840653S

(12) **United States Design Patent**  
**Carmi et al.**

(10) **Patent No.:** **US D840,653 S**

(45) **Date of Patent:** **\*\* Feb. 19, 2019**

(54) **SHOE INSERT**

(71) Applicants: **Itamar Carmi**, Teaneck, NJ (US);  
**Rachel Carmi**, Teaneck, NJ (US)

(72) Inventors: **Itamar Carmi**, Teaneck, NJ (US);  
**Rachel Carmi**, Teaneck, NJ (US)

(\*\*) Term: **15 Years**

(21) Appl. No.: **29/592,875**

(22) Filed: **Feb. 3, 2017**

(51) **LOC (11) Cl.** ..... **02-04**

(52) **U.S. Cl.**

USPC ..... **D2/961**

(58) **Field of Classification Search**

USPC ..... D2/896, 961, 968, 946, 947, 950, 951,  
D2/953, 954, 955, 960; D24/124, 126;  
36/43, 44

CPC ..... A43B 19/00; A43B 19/005; A43B 17/14;  
A43B 17/02; A43B 17/03; A43B 17/00;  
A43B 17/18; A43B 17/006; A43B 13/14;  
A43B 13/00; A43B 13/42; A43B 7/149;  
A43B 7/14; A43B 9/125  
See application file for complete search history.

(56) **References Cited**

**U.S. PATENT DOCUMENTS**

892,360 A \* 6/1908 Burns ..... A43B 3/0005  
36/43  
1,086,925 A \* 2/1914 Luffler ..... A43B 7/06  
36/3 R  
D120,317 S \* 4/1940 Reeves ..... D2/957  
D127,273 S \* 5/1941 Hubbard ..... 36/32 R

D204,596 S \* 5/1966 Anson ..... 36/43  
D273,246 S \* 4/1984 Tonkel ..... D2/956  
D285,022 S \* 8/1986 Schornstein ..... D2/916  
D287,902 S \* 1/1987 Forsyth ..... D2/961  
D288,383 S \* 2/1987 Autry ..... D2/961  
D300,686 S \* 4/1989 Peterson ..... D2/961  
D350,432 S \* 9/1994 Saez ..... D2/961  
D374,761 S \* 10/1996 Sell, Jr. .... D2/961  
D388,947 S \* 1/1998 Sessa ..... D2/961  
D416,671 S \* 11/1999 Tsuzuki ..... D2/947  
D505,537 S \* 5/2005 Friedman ..... D2/961  
D551,835 S \* 10/2007 Hung ..... D2/961  
D640,047 S \* 6/2011 Claassen ..... D2/960  
D701,380 S \* 3/2014 Reed ..... D2/951

\* cited by examiner

*Primary Examiner* — Elizabeth J Oswecki

(74) *Attorney, Agent, or Firm* — Michael J. Feigin, Esq.;  
Feigin & Fridman LLC

(57) **CLAIM**

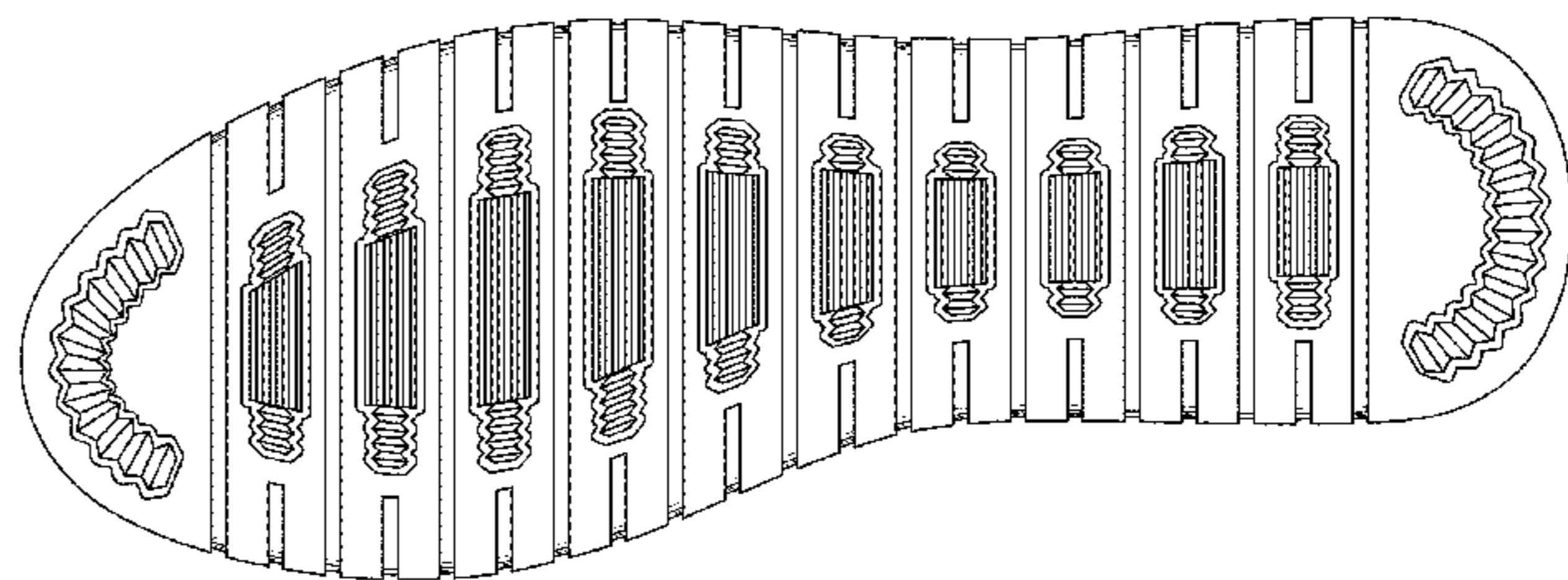
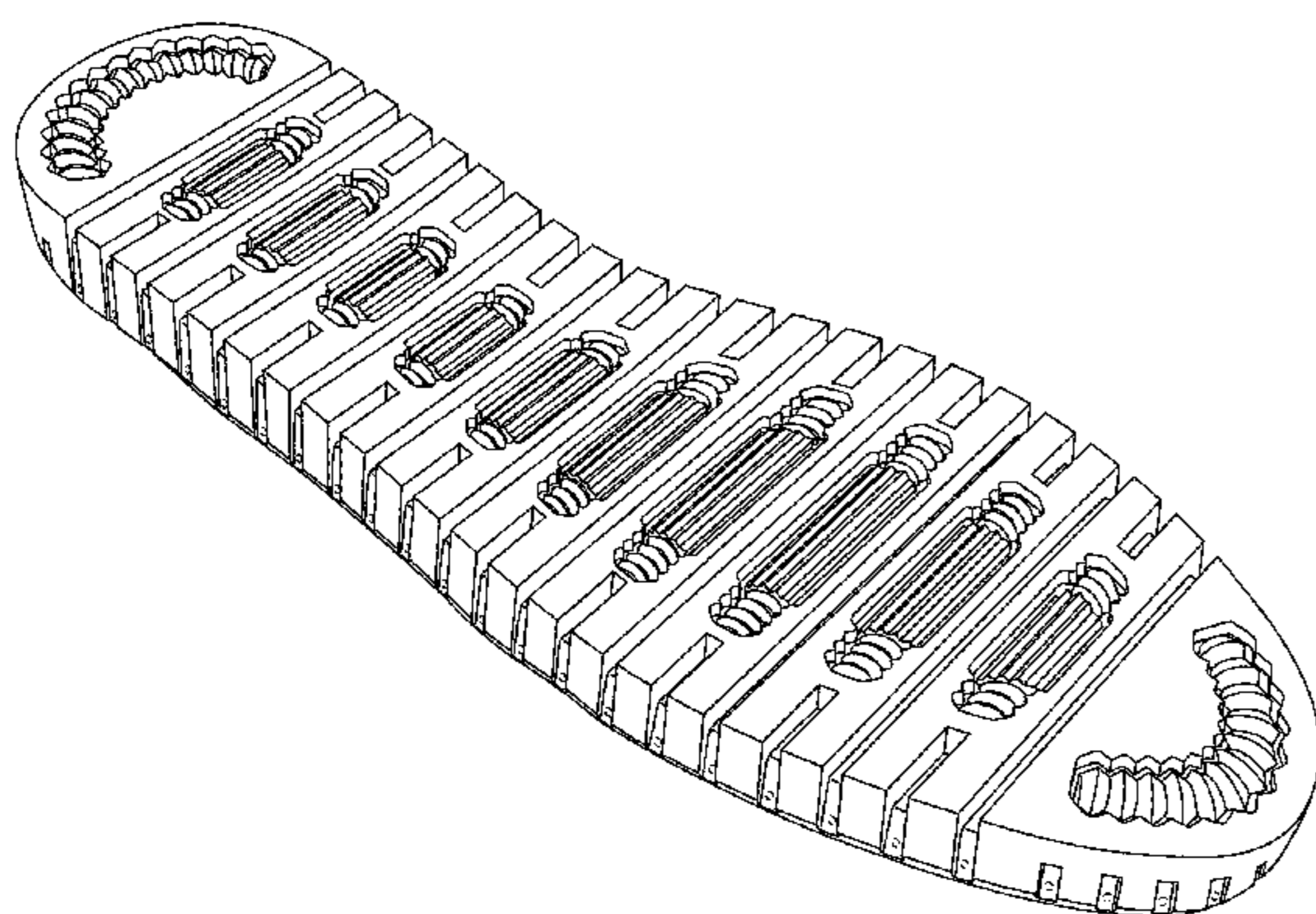
The ornamental design for a shoe insert, as shown and described.

**DESCRIPTION**

FIG. 1 is a bottom, side perspective view of a shoe insert showing my new design;  
FIG. 2 is a bottom plan view thereof;  
FIG. 3 is a top plan view thereof;  
FIG. 4 is a side elevation view thereof;  
FIG. 5 is a reverse side elevation view thereof;  
FIG. 6 is a front side elevation view thereof; and,  
FIG. 7 is a rear side elevation view thereof.

The broken lines shown in the drawings form no part of the claimed design.

**1 Claim, 5 Drawing Sheets**



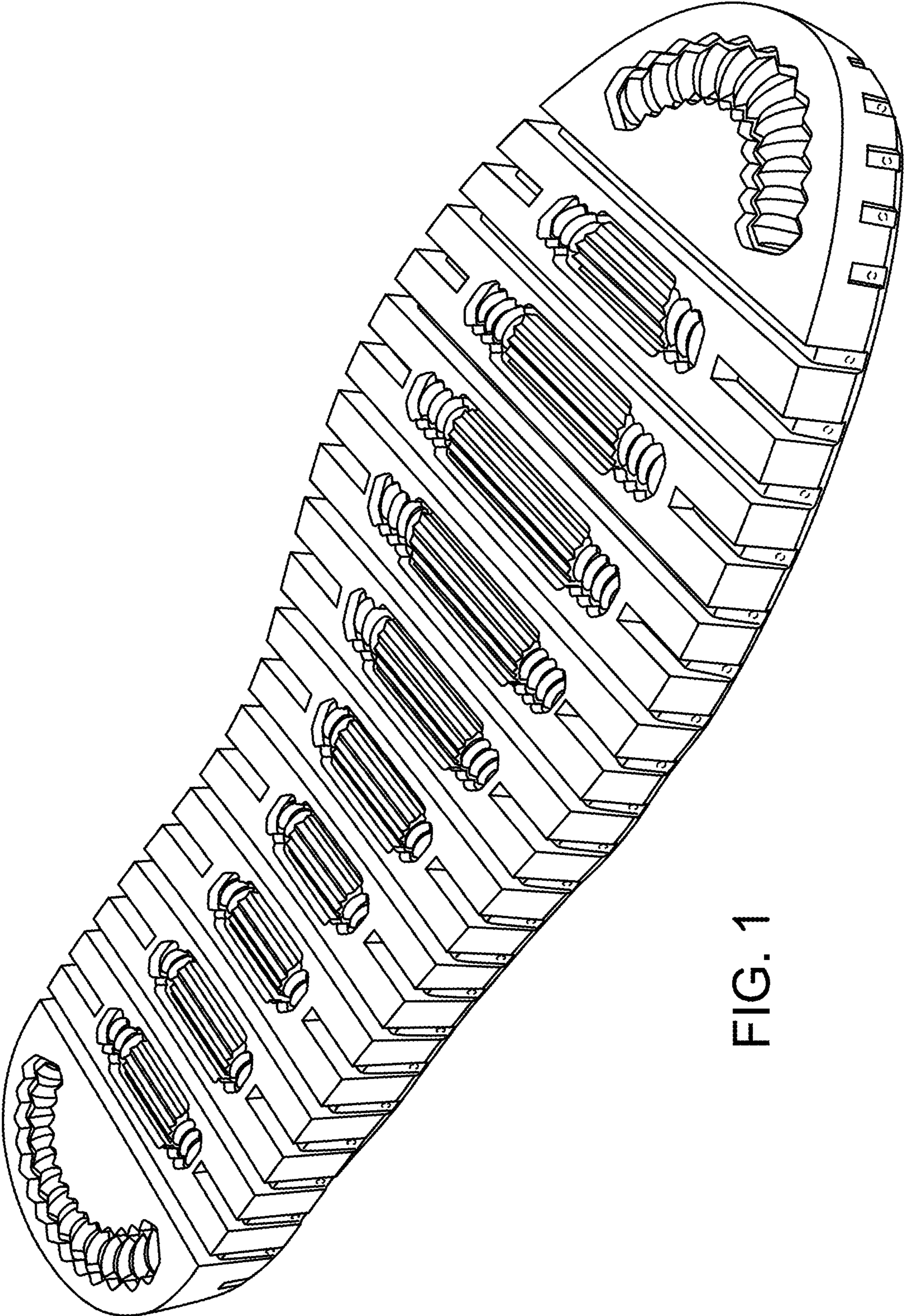


FIG. 1

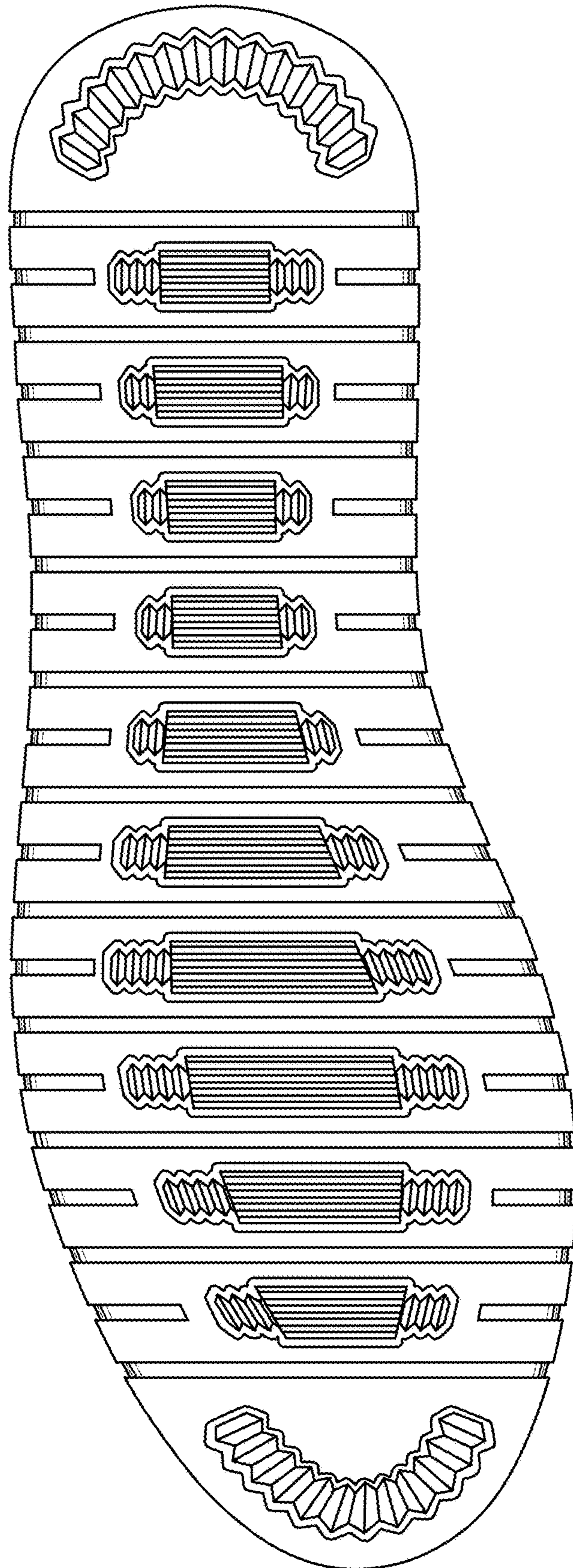


FIG. 2

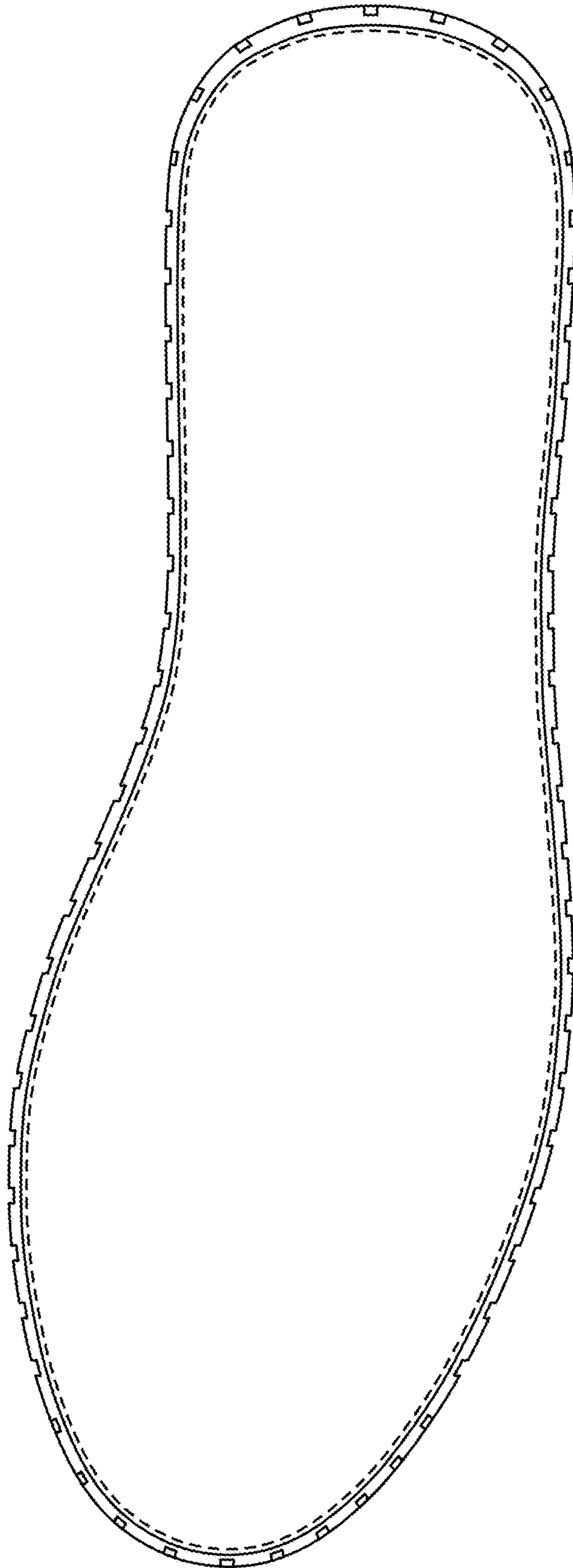


FIG. 3

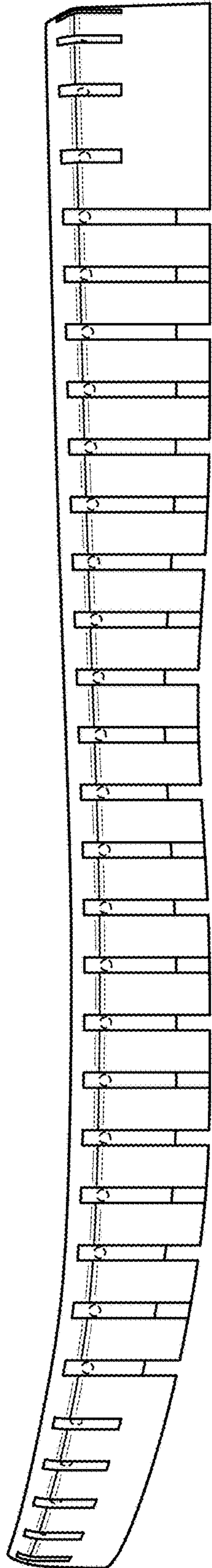


FIG. 4

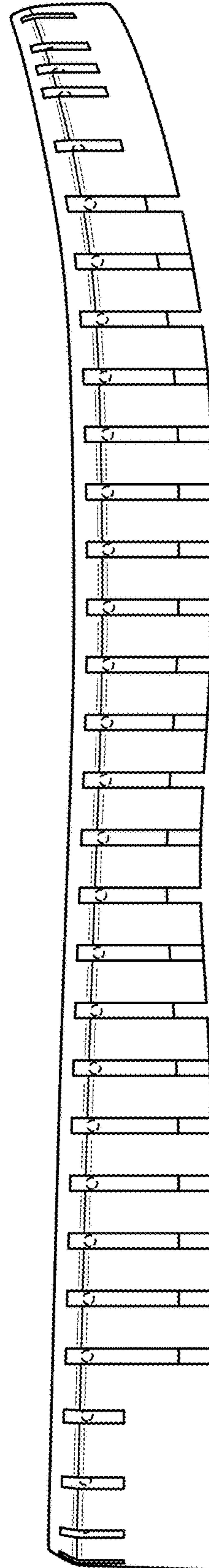


FIG. 5

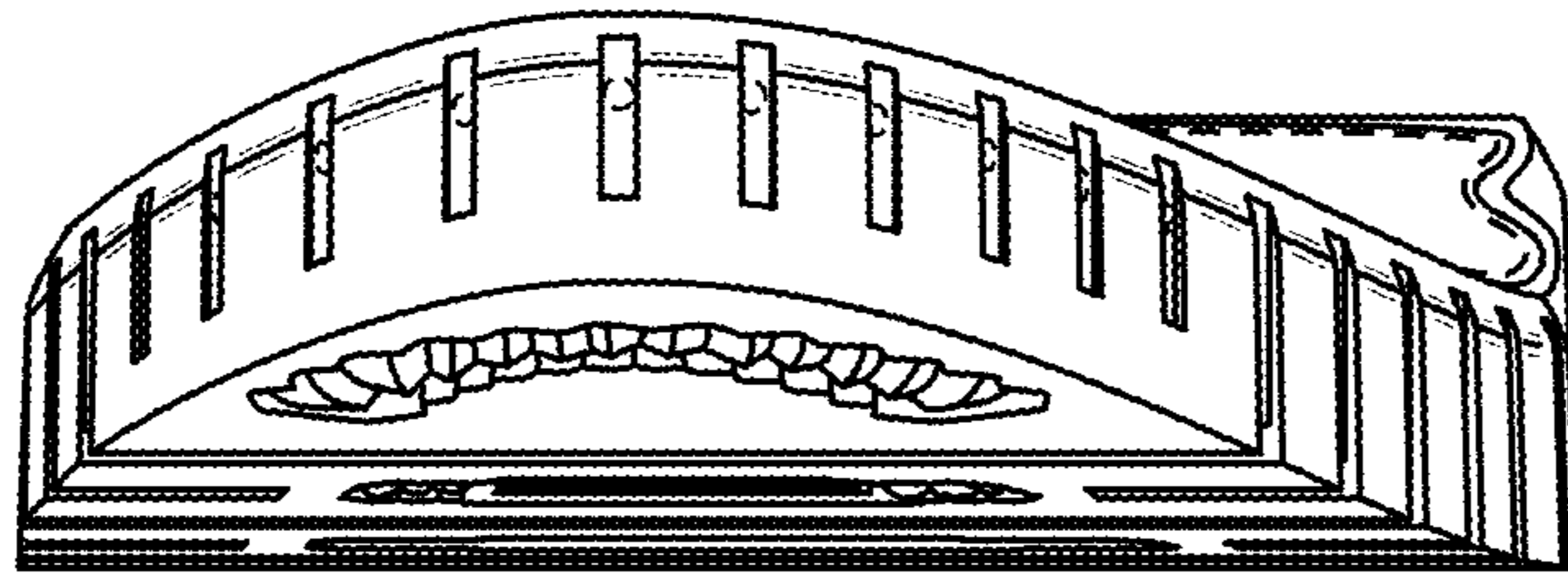


FIG. 6

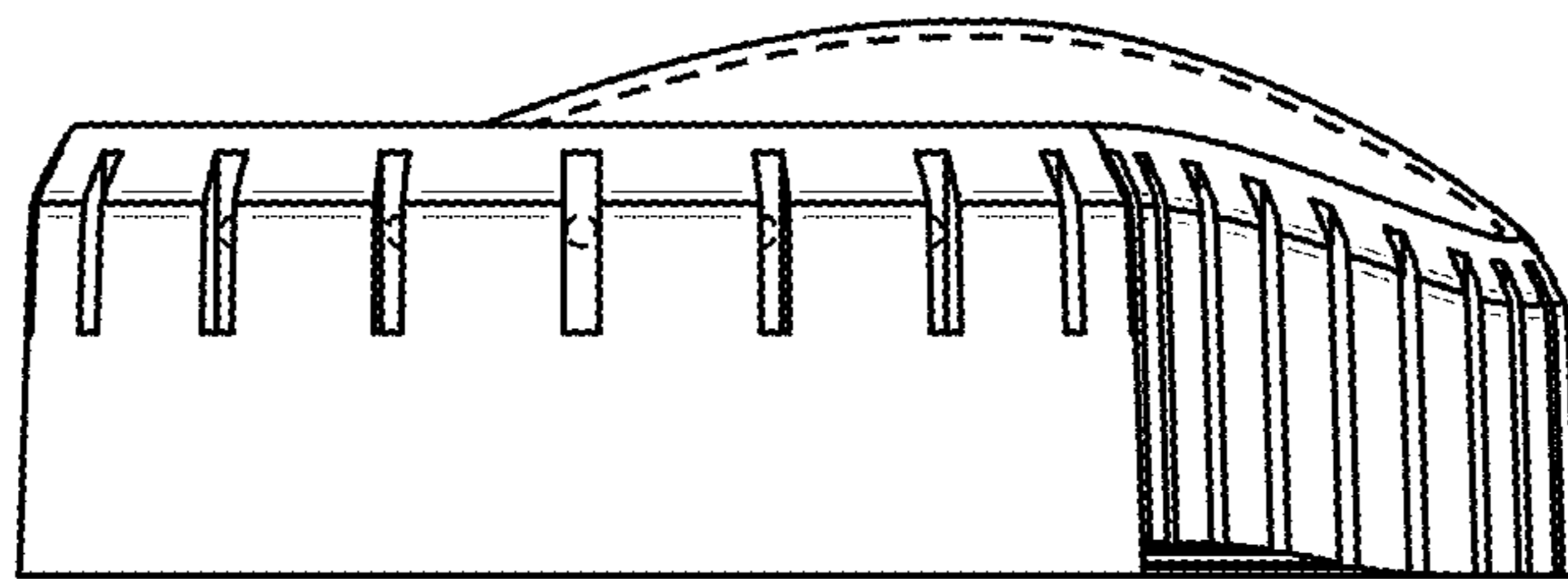


FIG. 7