



US00D840646S

(12) **United States Design Patent** (10) **Patent No.:** **US D840,646 S**  
**de Courreges** (45) **Date of Patent:** **\*\* Feb. 19, 2019**

(54) **SANDAL UPPER**

(71) Applicant: **Heather de Courreges**, Hoboken, NJ (US)

(72) Inventor: **Heather de Courreges**, Hoboken, NJ (US)

(73) Assignee: **JPT Group LLC**, Medina, MN (US)

(\*\*) Term: **15 Years**

(21) Appl. No.: **29/633,359**

(22) Filed: **Jan. 12, 2018**

(51) **LOC (11) Cl.** ..... **02-04**

(52) **U.S. Cl.**  
USPC ..... **D2/917**

(58) **Field of Classification Search**  
USPC ..... D2/896-900, 916-918, 925, 926, 969, D2/971  
CPC ..... A43B 3/128; A43B 3/10; A43B 3/122; A43B 3/24; A43B 3/12  
See application file for complete search history.

(56) **References Cited**

**U.S. PATENT DOCUMENTS**

4,745,927	A *	5/1988	Brock	.....	A43B 7/26
					36/140
D486,296	S *	2/2004	Morrison	.....	D2/917
D548,933	S *	8/2007	Choi	.....	A43B 7/26
					D2/917
D648,118	S *	11/2011	Safdeye	.....	D2/917
D661,876	S *	6/2012	Juang	.....	D2/917
D665,155	S *	8/2012	Arnold	.....	D2/917
8,413,349	B2 *	4/2013	Krauss	.....	A43B 7/26
					36/11.5
D711,076	S *	8/2014	Issler	.....	A43B 1/0081
					D2/917
D745,770	S *	12/2015	Matsuo	.....	D2/917

D779,173 S \* 2/2017 Miller ..... D2/917  
D779,807 S \* 2/2017 Miller ..... D2/917  
D793,040 S \* 8/2017 Moore ..... D2/917

(Continued)

*Primary Examiner* — Rashida C. Walshon

(74) *Attorney, Agent, or Firm* — Alberto Q. Amatong, Jr.; Amatong McCoy LLC

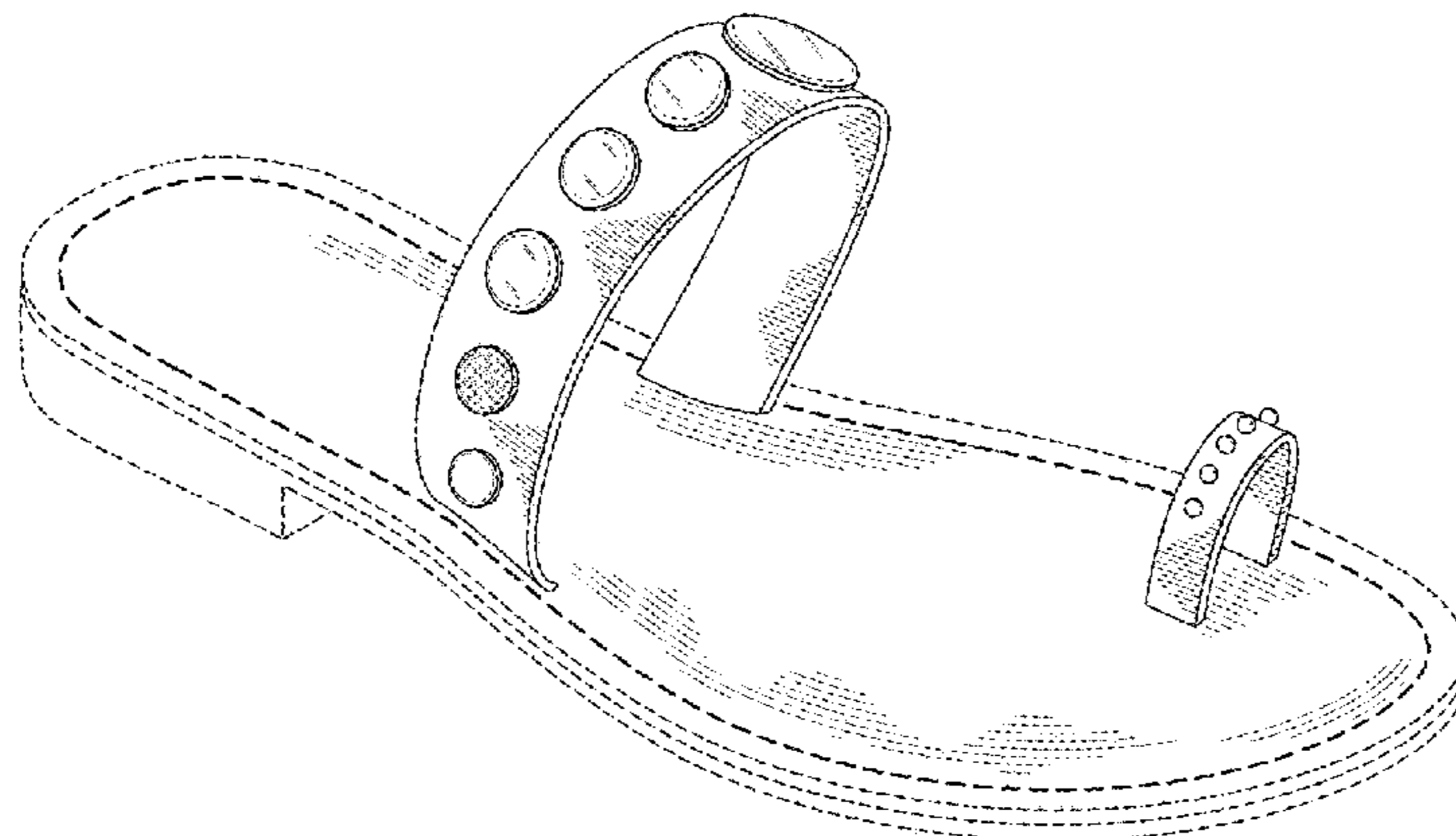
(57) **CLAIM**

The ornamental design for a sandal upper, as shown and described.

**DESCRIPTION**

FIG. 1 is a perspective view of a sandal upper showing my new design;  
FIG. 2 is a side view thereof;  
FIG. 3 is an opposite side view thereof;  
FIG. 4 is a front elevation view thereof;  
FIG. 5 is a rear elevation view thereof;  
FIG. 6 is a top view thereof;  
FIG. 7 is a bottom view thereof;  
FIG. 8 is a top view of a second embodiment of the design of FIG. 1, the only difference being in the arrangement of different ornaments on the strap of the upper;  
FIG. 9 is a side view of the second embodiment of the design of FIG. 1, the only difference being in the arrangement of different ornaments on the strap of the upper; and,  
FIG. 10 is an opposite side view of a second embodiment of the design of FIG. 1, the only difference being in the arrangement of different ornaments on the strap of the upper.  
The broken lines applied to the sandal upper, which may appear in any of FIGS. 1-10, represent claimed stitching. Broken lines in or showing the sole of the sandal, including surfaces of the insole and the outsole, in FIGS. 1-10, are for environmental purposes only and form no part of the claimed design. Any of the claimed design does not include any part of the sole.

**1 Claim, 5 Drawing Sheets**



(56)

**References Cited**

U.S. PATENT DOCUMENTS

2004/0093765 A1\* 5/2004 Baldwin ..... A43B 1/0081  
36/101

\* cited by examiner

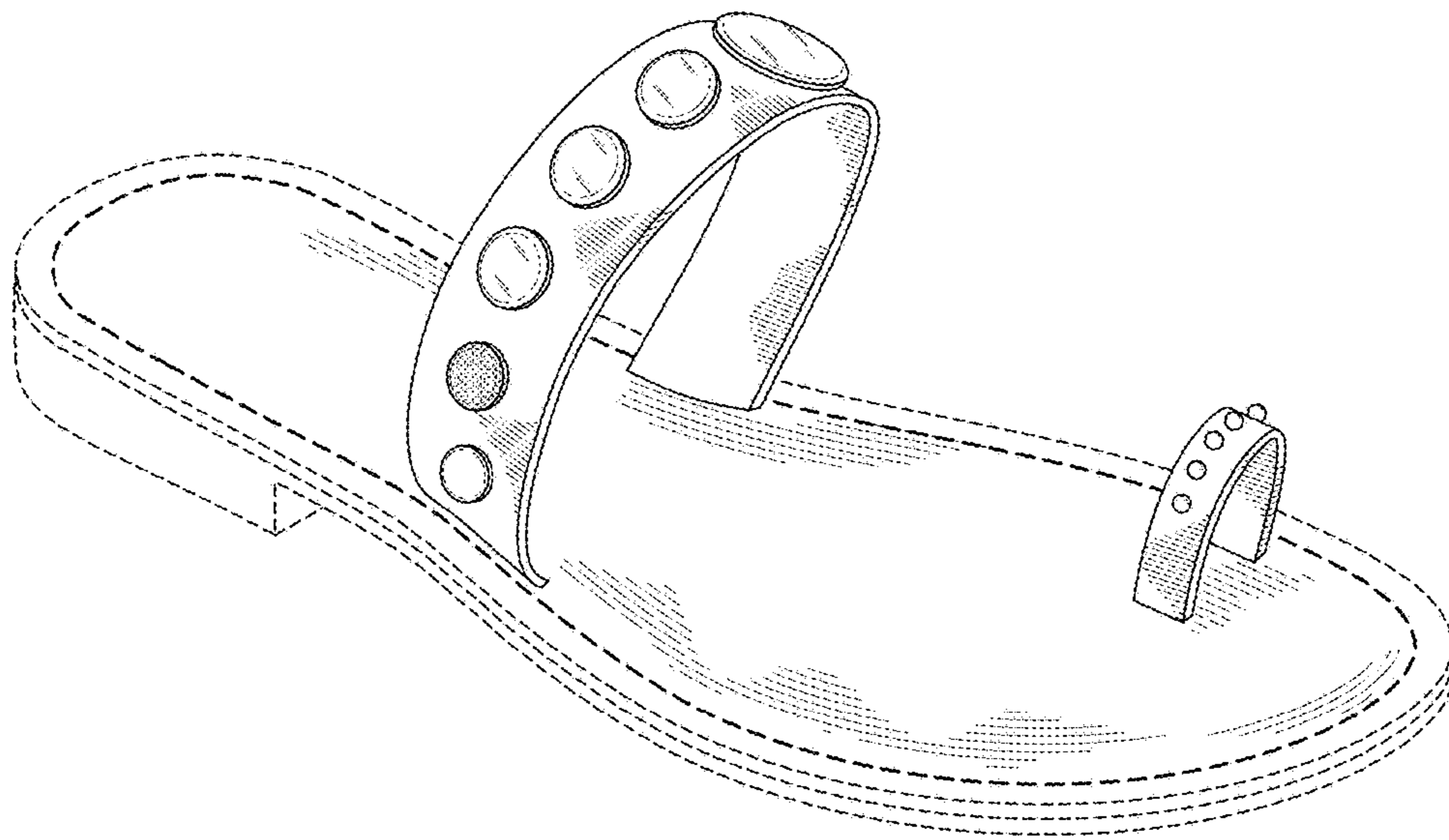


FIG. 1

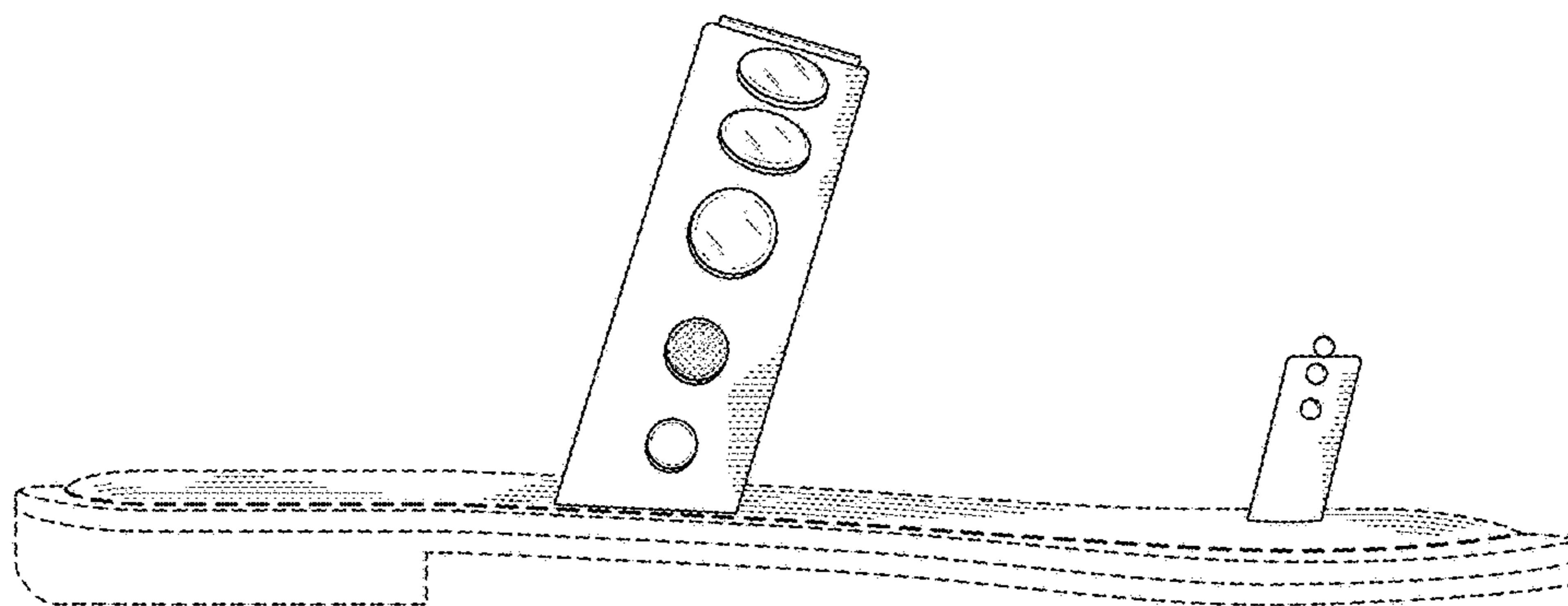


FIG. 2

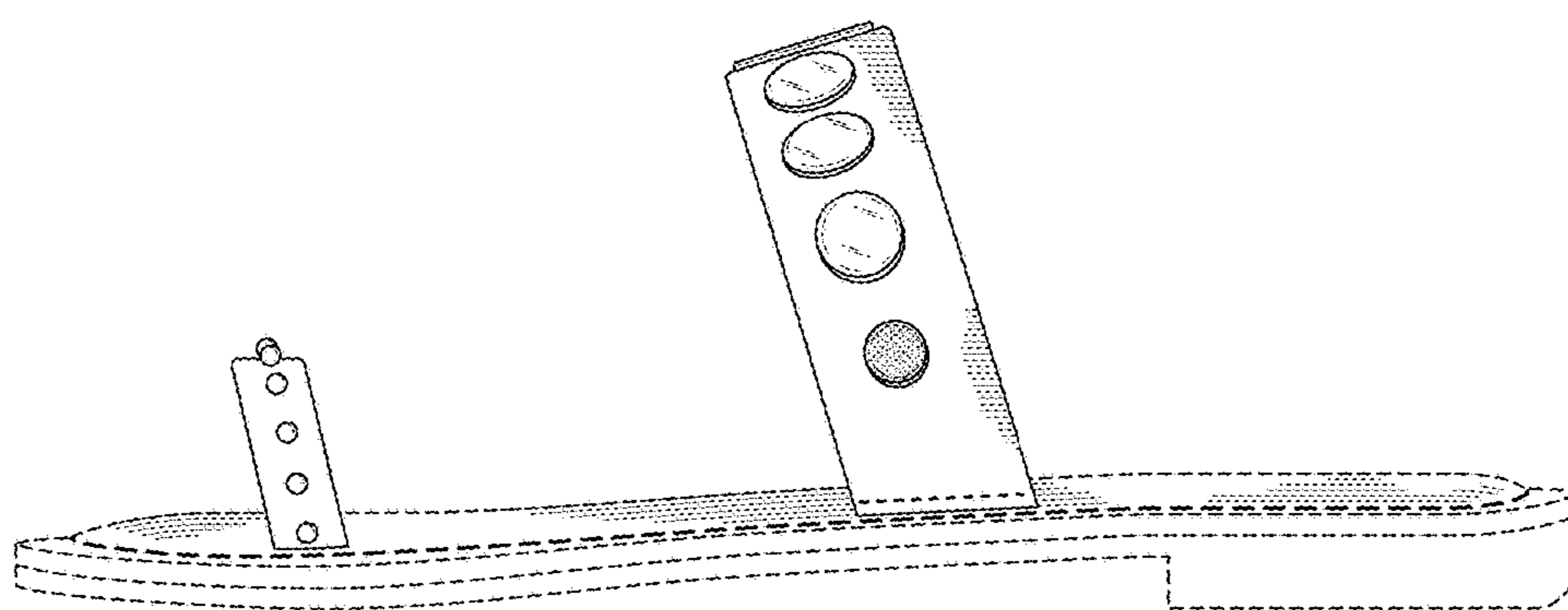


FIG. 3

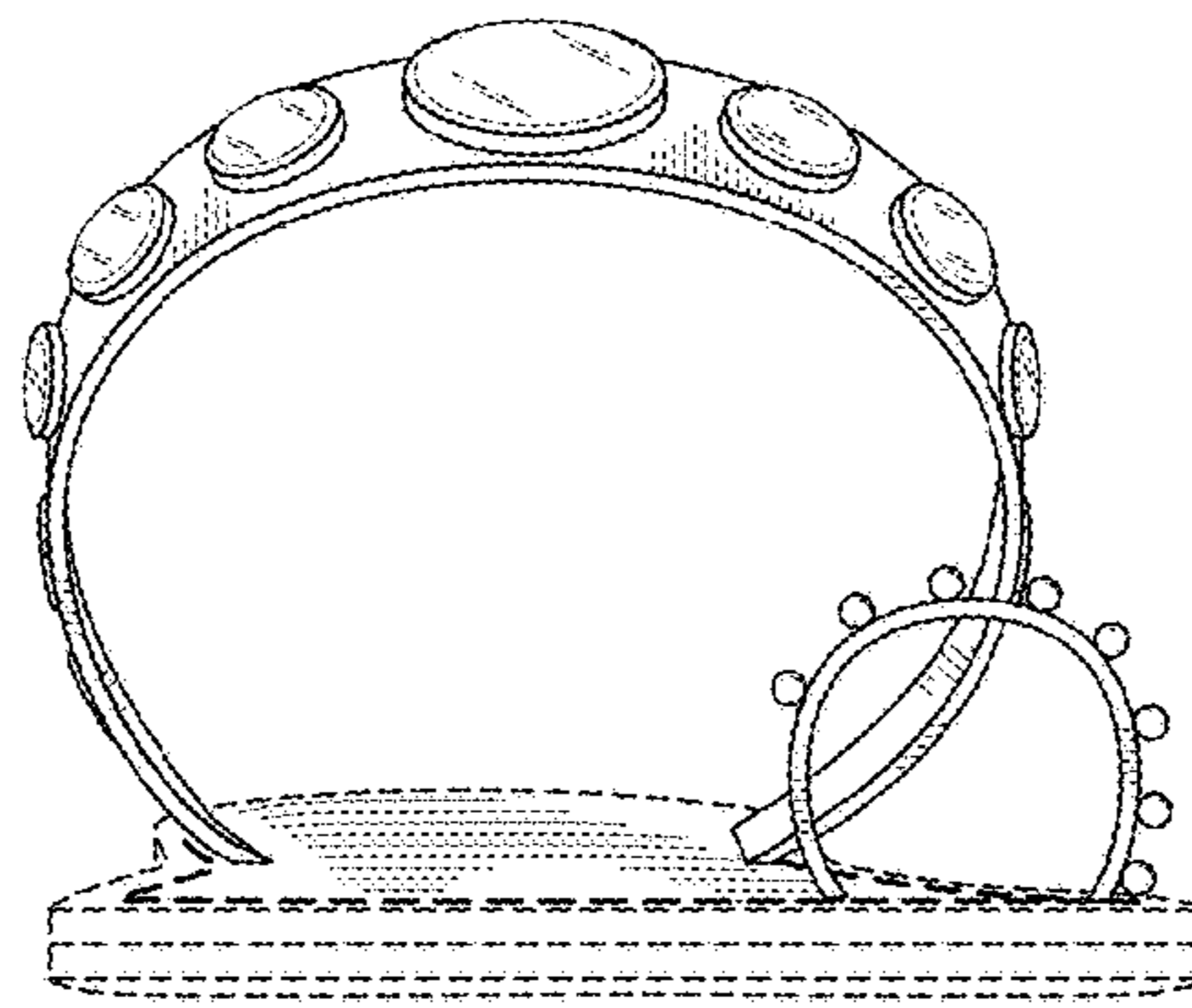


FIG. 4

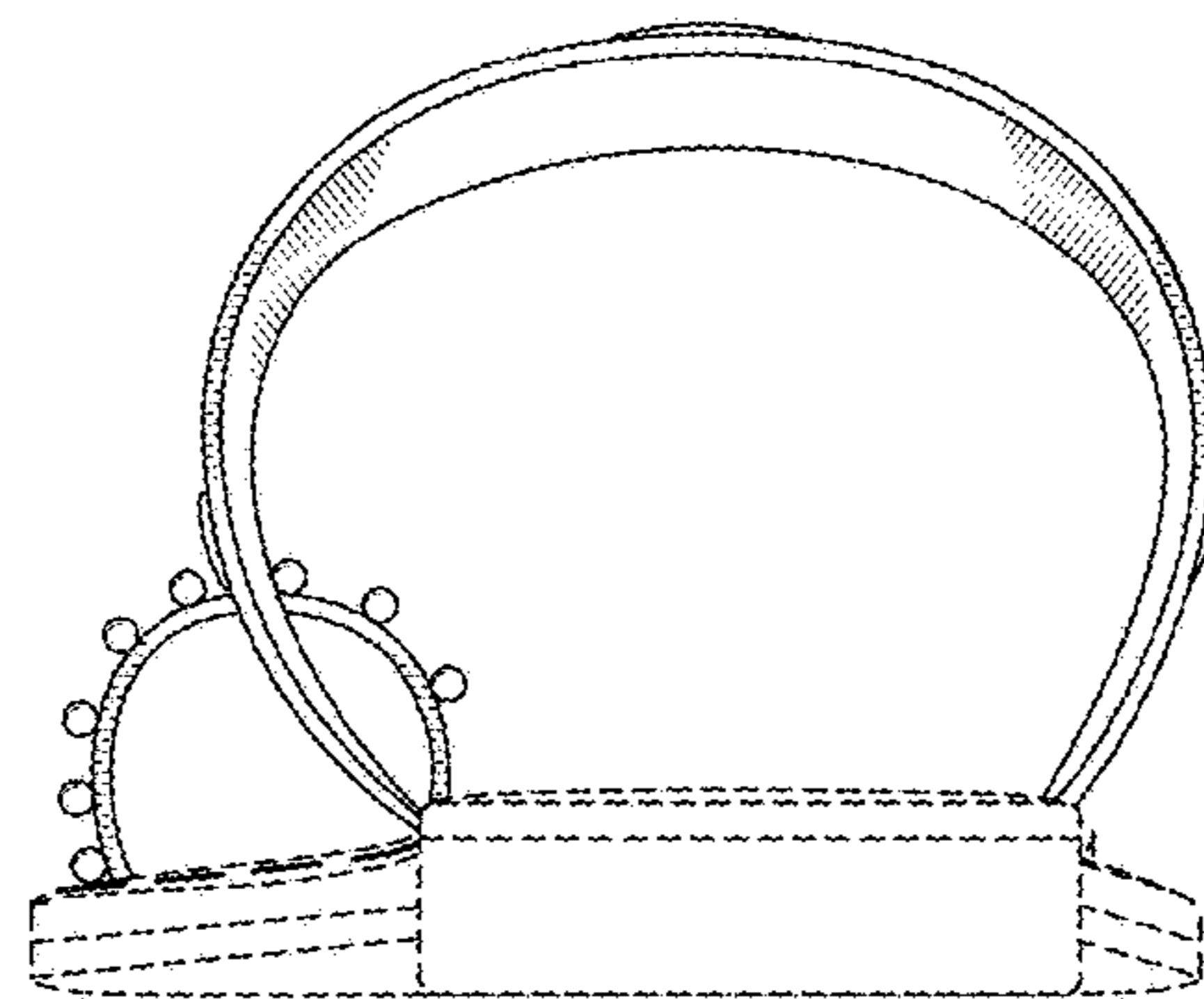


FIG. 5

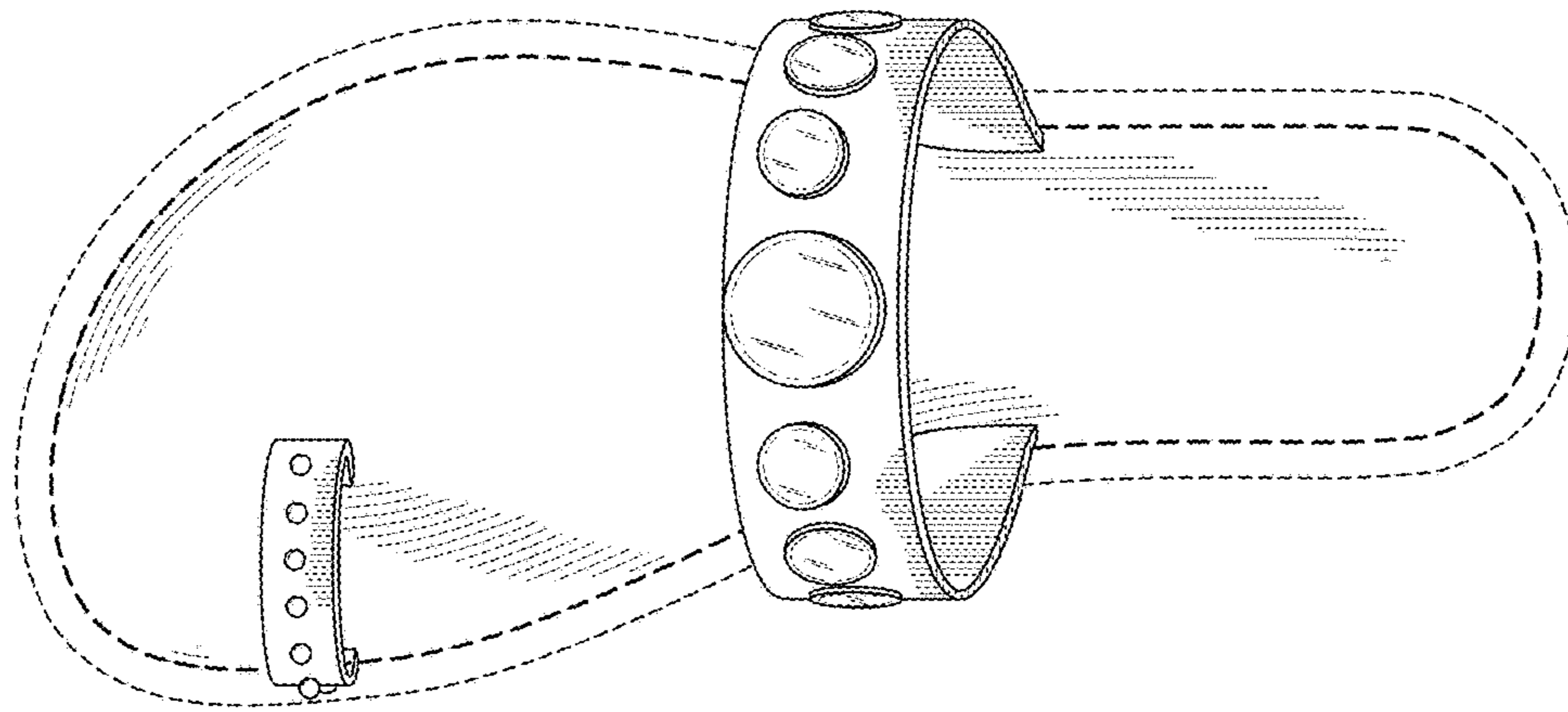


FIG. 6

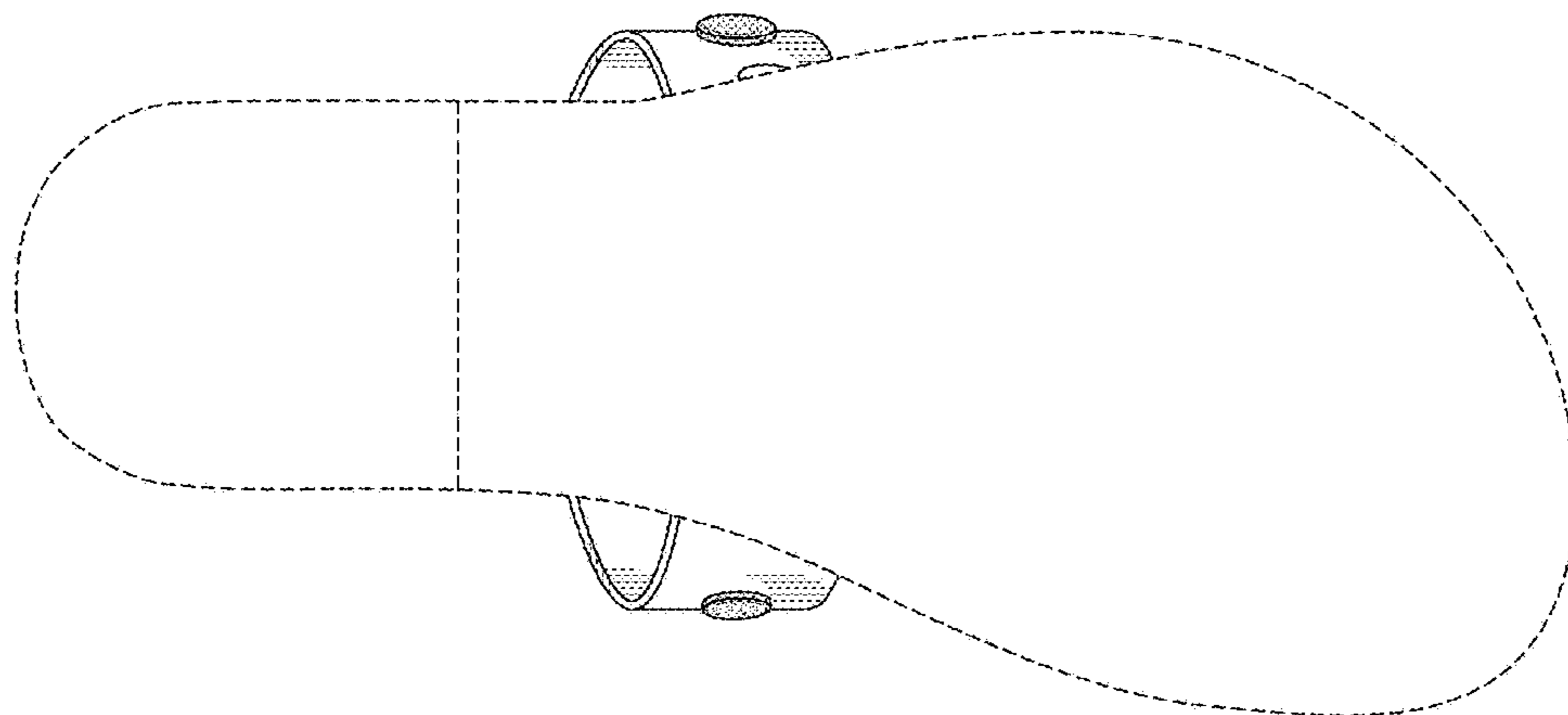


FIG. 7

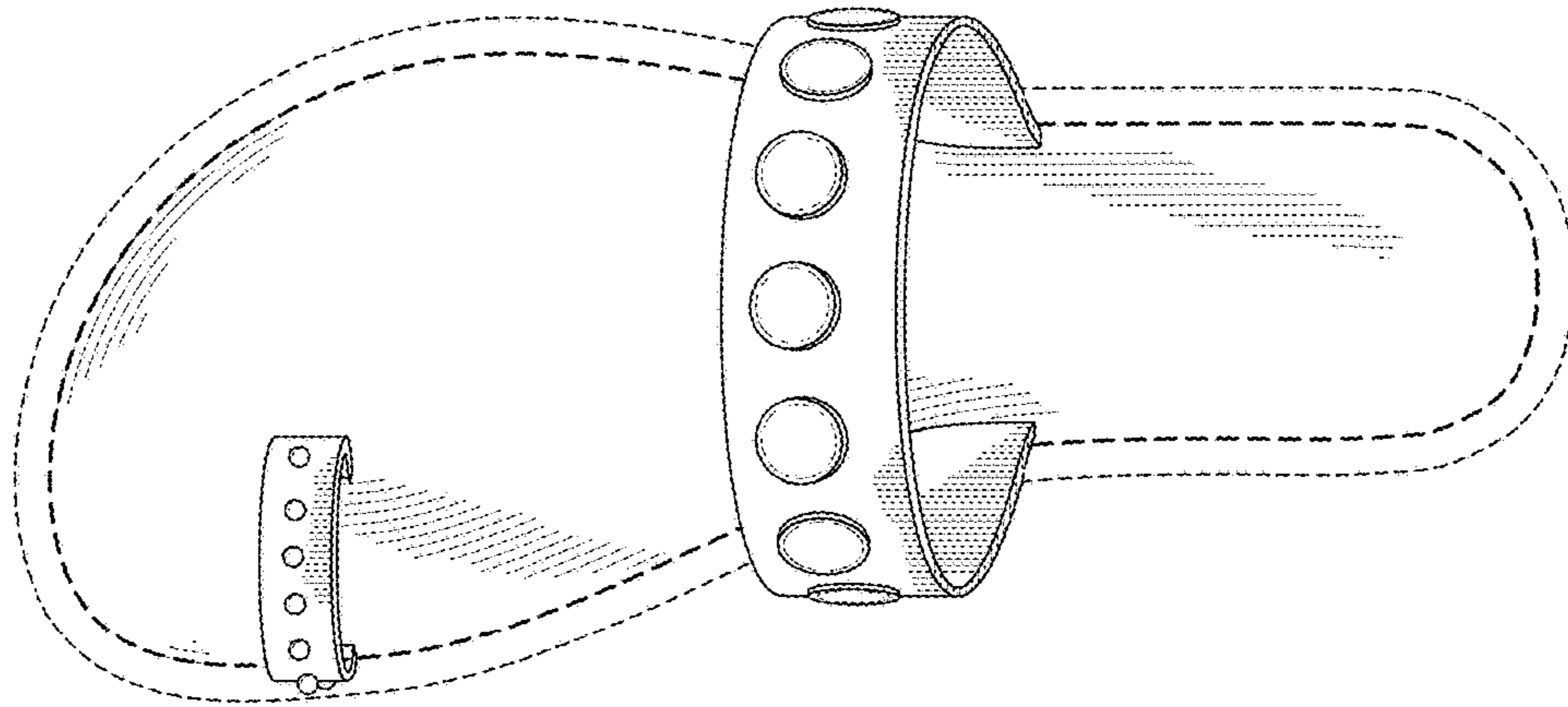


FIG. 8

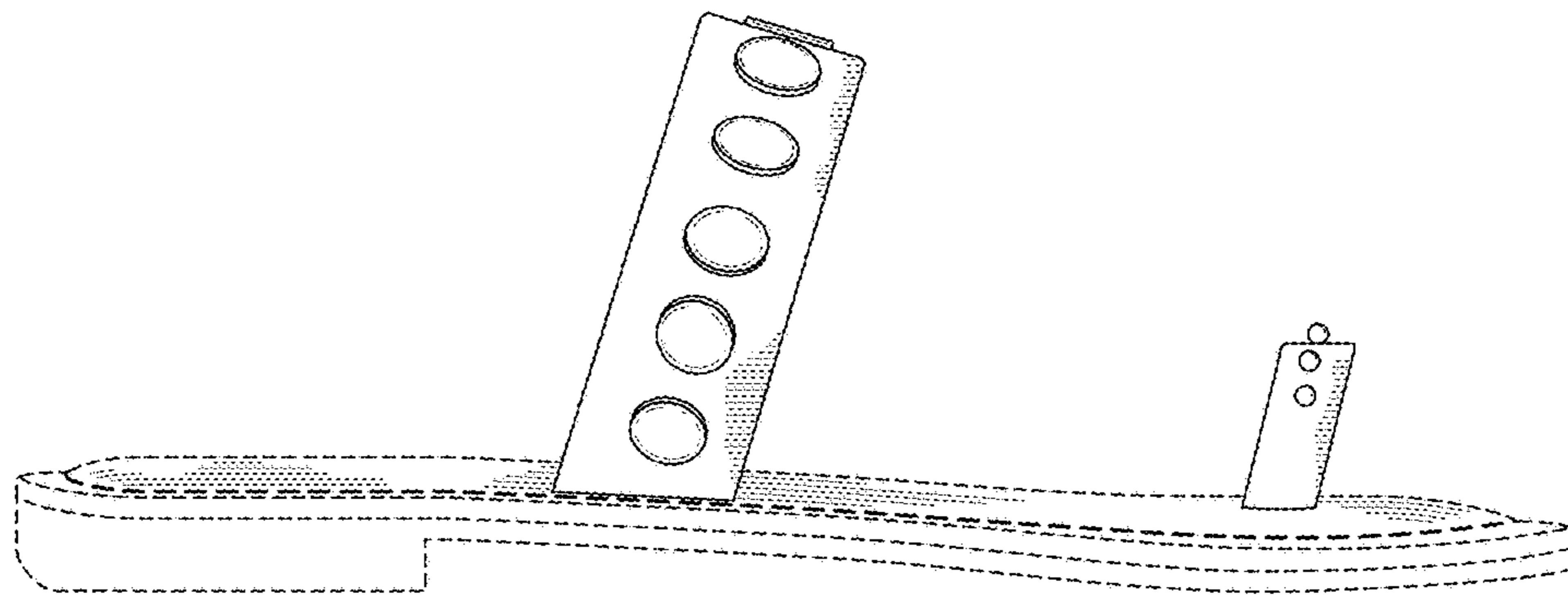


FIG. 9

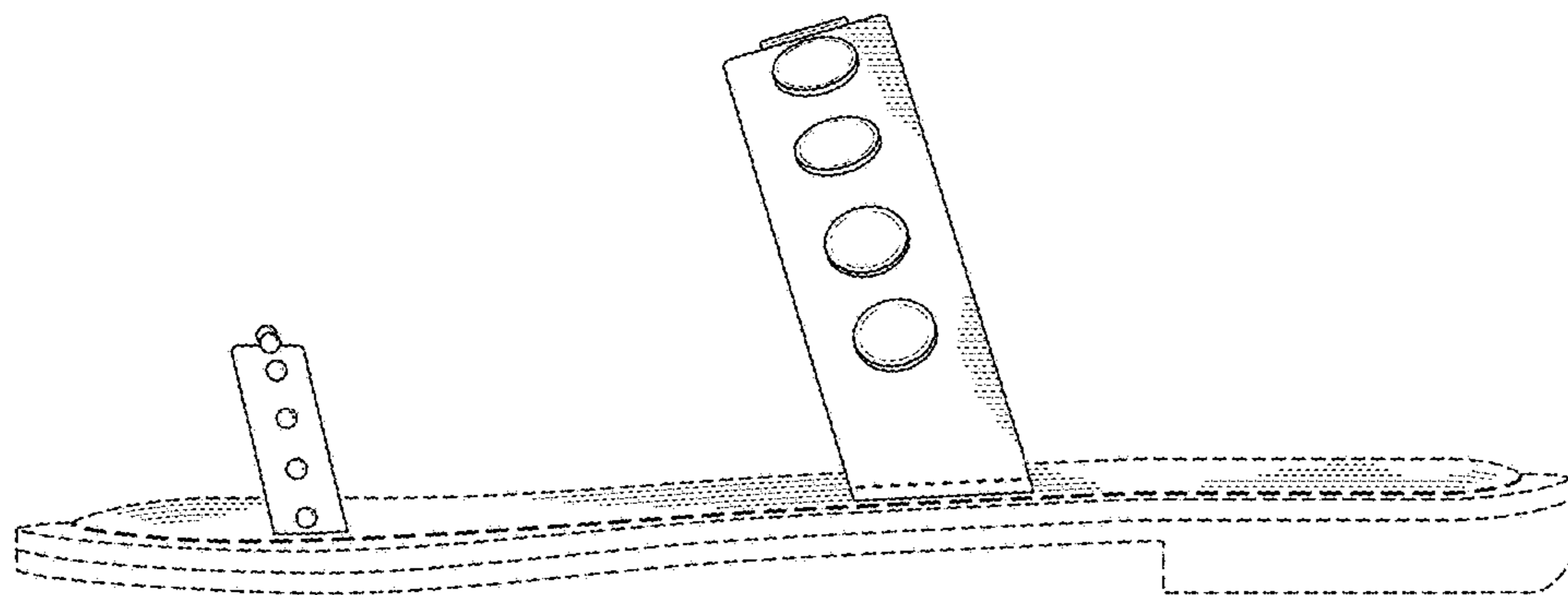


FIG. 10