



US00D840643S

(12) **United States Design Patent**
Jeong

(10) **Patent No.:** **US D840,643 S**

(45) **Date of Patent:** **** Feb. 19, 2019**

(54) **BOOT**

(71) Applicants: **NANOTECH CERAMICS CO., LTD.**, Busan (KR); **Sang Ok Jeong**, Busan (KR)

(72) Inventor: **Sang Ok Jeong**, Busan (KR)

(73) Assignees: **NANOTECH CERAMICS CO., LTD.**, Busan (KR); **Sang Ok Jeong**, Busan (KR)

(**) Term: **15 Years**

(21) Appl. No.: **29/593,873**

(22) Filed: **Feb. 14, 2017**

(30) **Foreign Application Priority Data**

Jan. 11, 2017 (KR) 30-2017-0001786

(51) **LOC (11) Cl.** **02-04**

(52) **U.S. Cl.**
USPC **D2/909**; D2/910; D2/970

(58) **Field of Classification Search**
USPC D2/896, 909-915, 946, 970, 973
CPC A43B 23/02; A43B 5/04; A43B 23/00;
A43B 23/06

See application file for complete search history.

(56) **References Cited**

U.S. PATENT DOCUMENTS

D290,303 S * 6/1987 Womack D2/910
D380,592 S * 7/1997 Whittington D2/910
D483,553 S * 12/2003 Kacian D2/911
D701,681 S * 4/2014 Spring D2/910

D723,259 S * 3/2015 Norwood D2/910
D730,024 S * 5/2015 McCusker-Short D2/911
D730,631 S * 6/2015 McCusker-Short D2/911
D735,977 S * 8/2015 Salzman D2/911
D795,554 S * 8/2017 Barker D2/970
2011/0119958 A1* 5/2011 Wu A43B 3/02
36/87

* cited by examiner

Primary Examiner — Rashida C. Walshon

(74) *Attorney, Agent, or Firm* — Revolution IP, PLLC

(57) **CLAIM**

The ornamental design for a “boot,” as shown and described.

DESCRIPTION

FIG. 1 is a perspective view of a boot showing my new design;

FIG. 2 is a front view thereof;

FIG. 3 is a rear view thereof;

FIG. 4 is a left side view thereof;

FIG. 5 is a right side view thereof;

FIG. 6 is a top view thereof;

FIG. 7 is a bottom view thereof;

FIG. 8 is an enlarged view thereof defined by the circled broken line indicated by 8 on FIG. 1;

FIG. 9 is an enlarged view thereof defined by the circled broken line indicated by 9 on FIG. 1;

FIG. 10 is an enlarged view thereof defined by the broken line circled on FIG. 2; and,

FIG. 11 is another perspective view thereof.

The broken lines depict environment that forms no part of the claimed design.

1 Claim, 8 Drawing Sheets

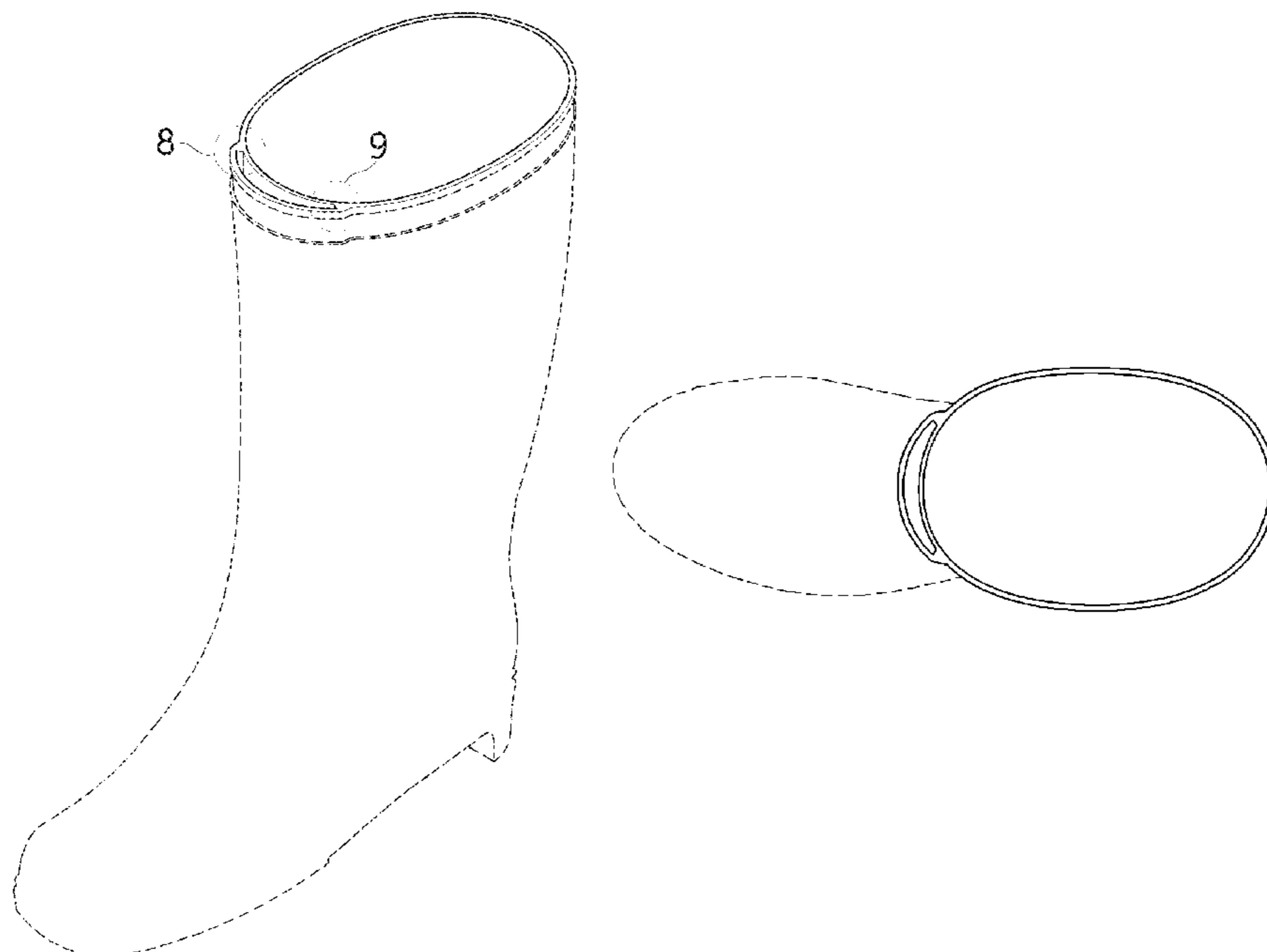


FIG. 1

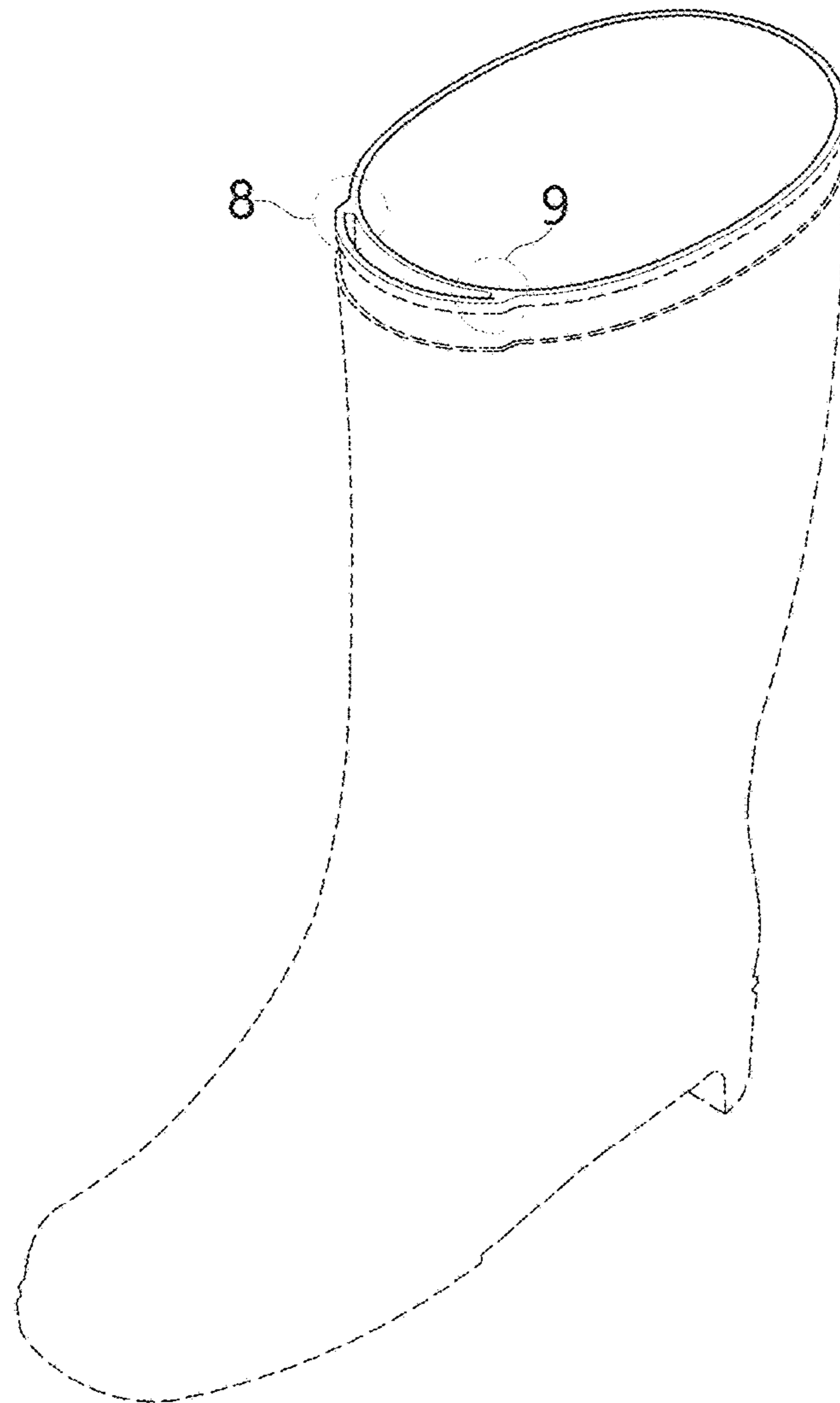


FIG. 2

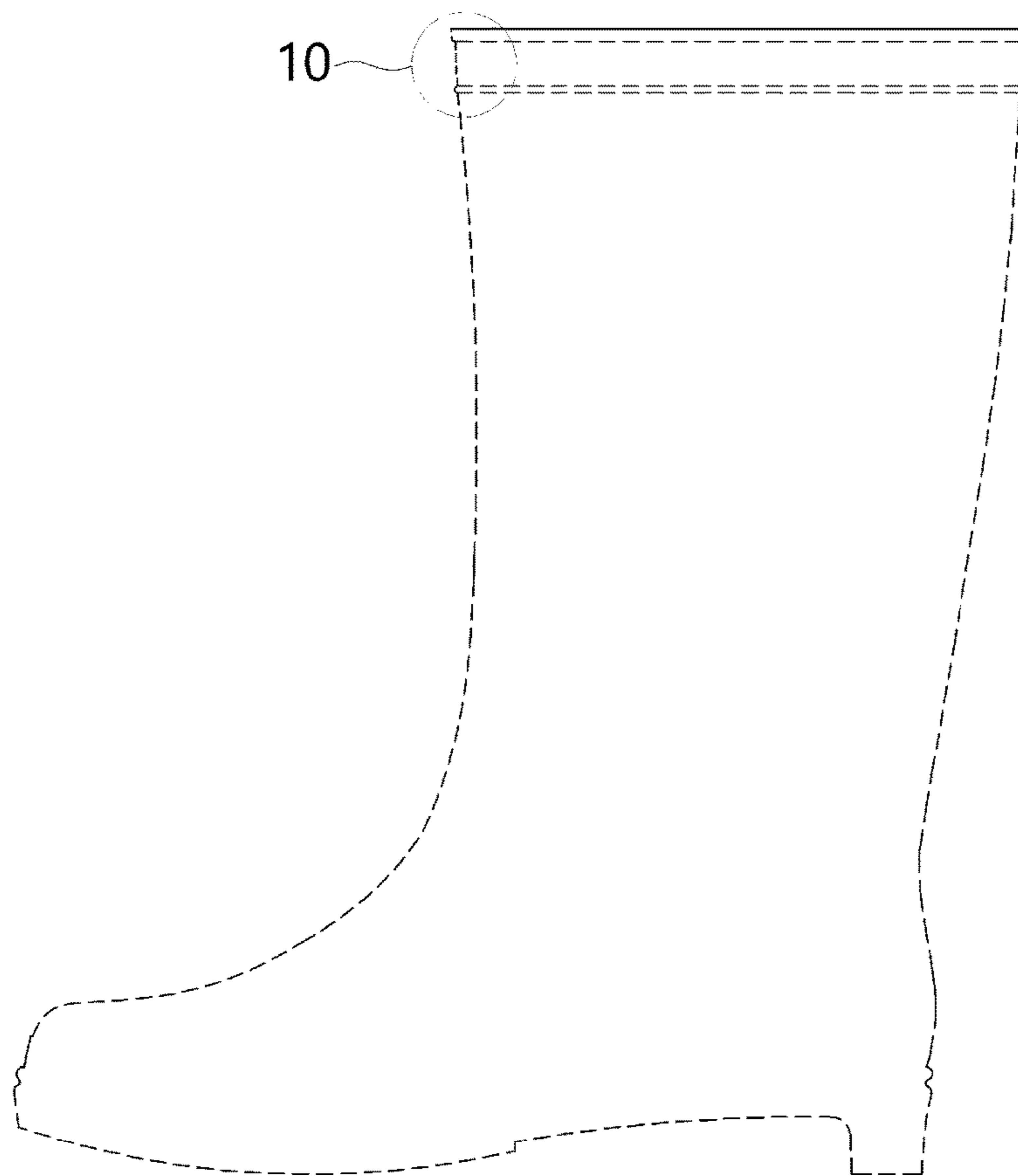


FIG. 3

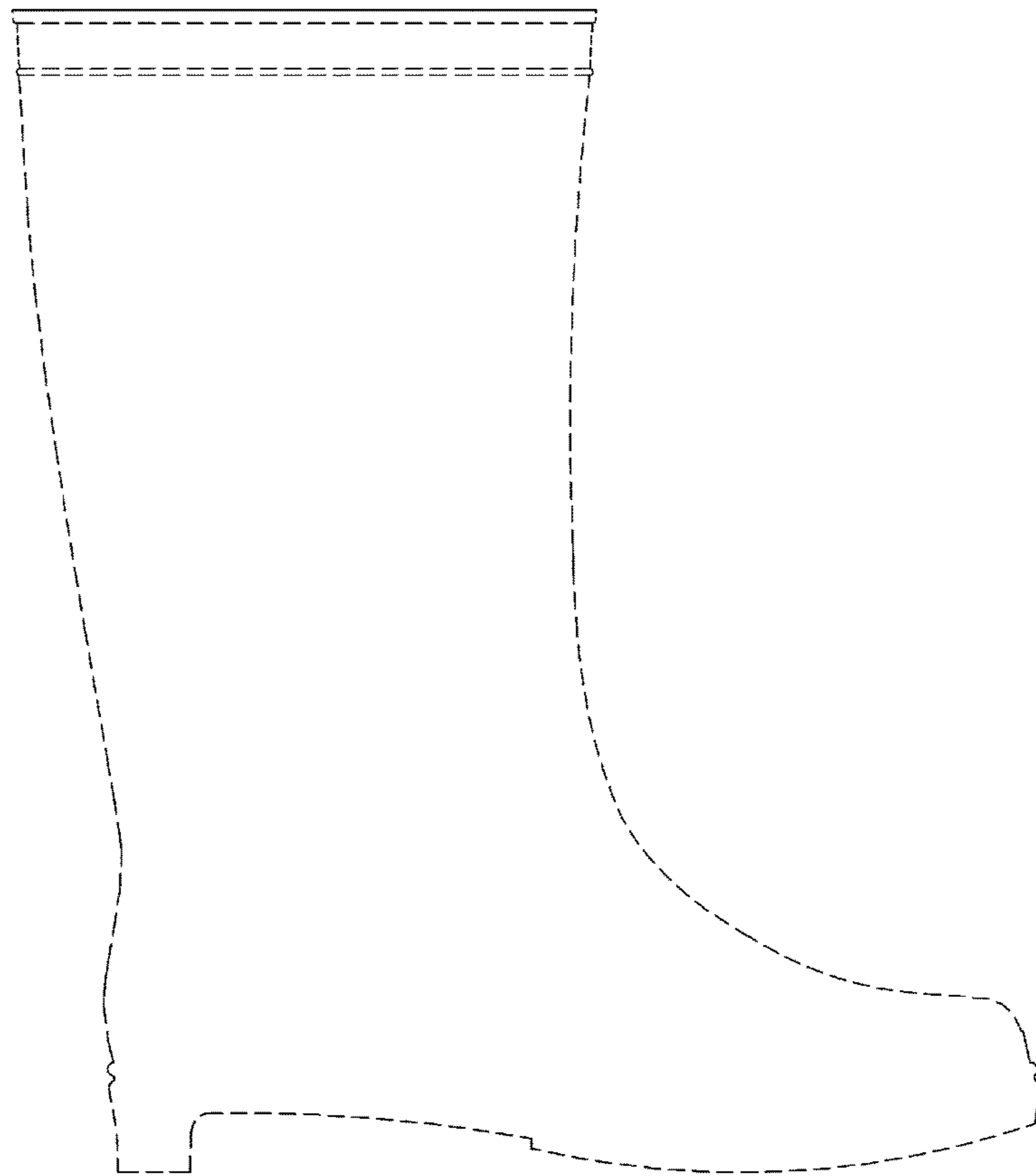


FIG. 4

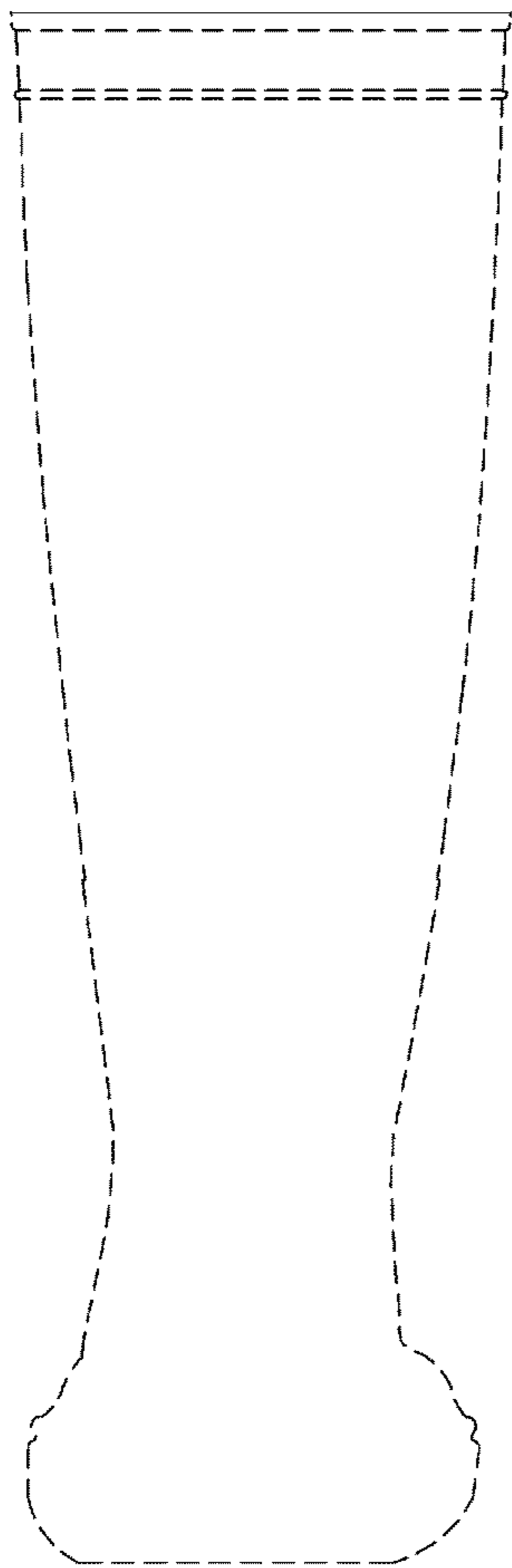


FIG. 5

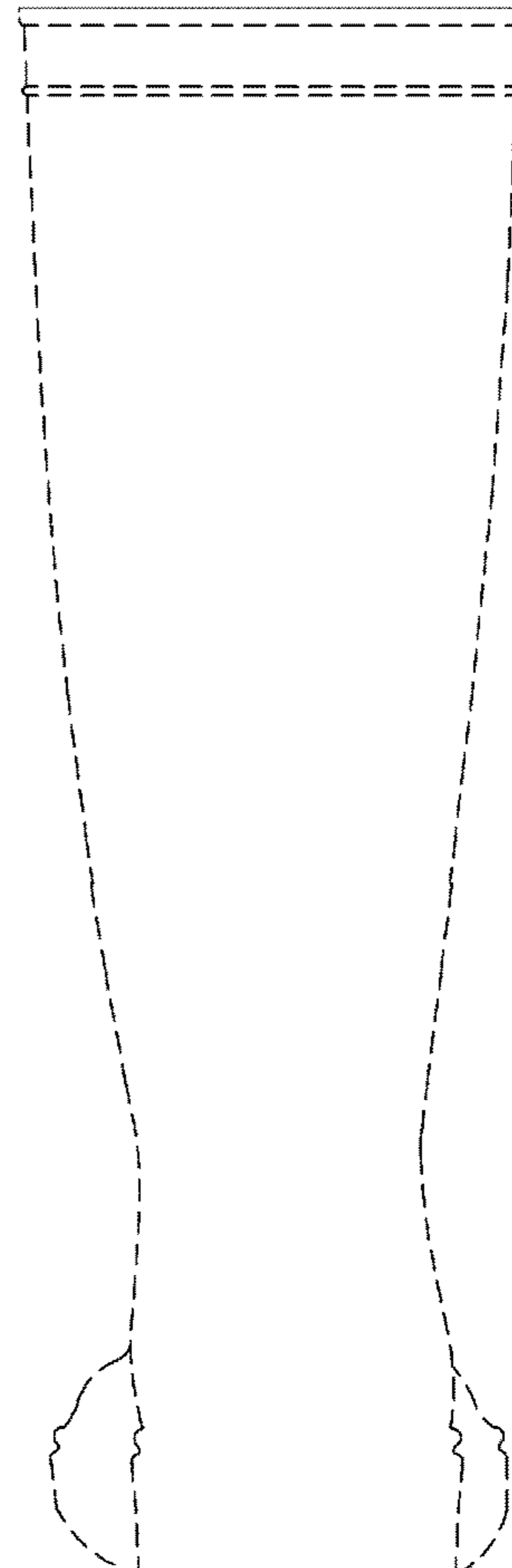


FIG. 6

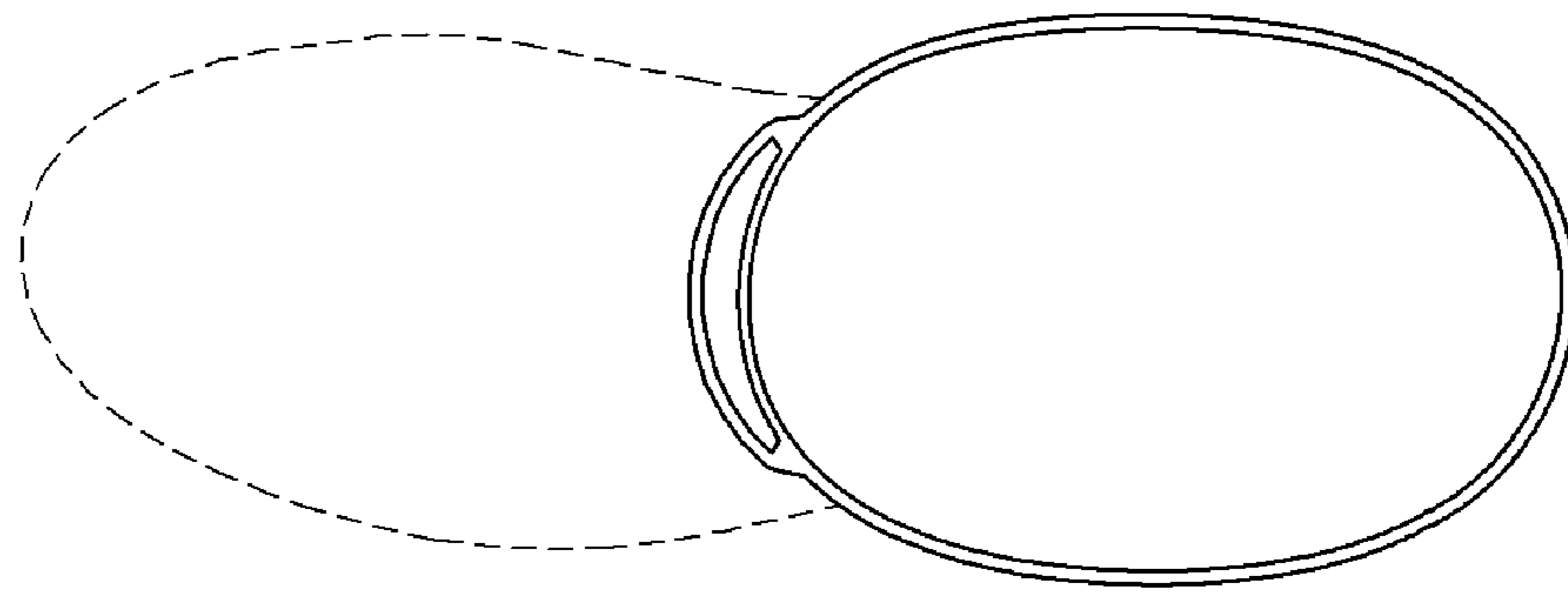


FIG. 7

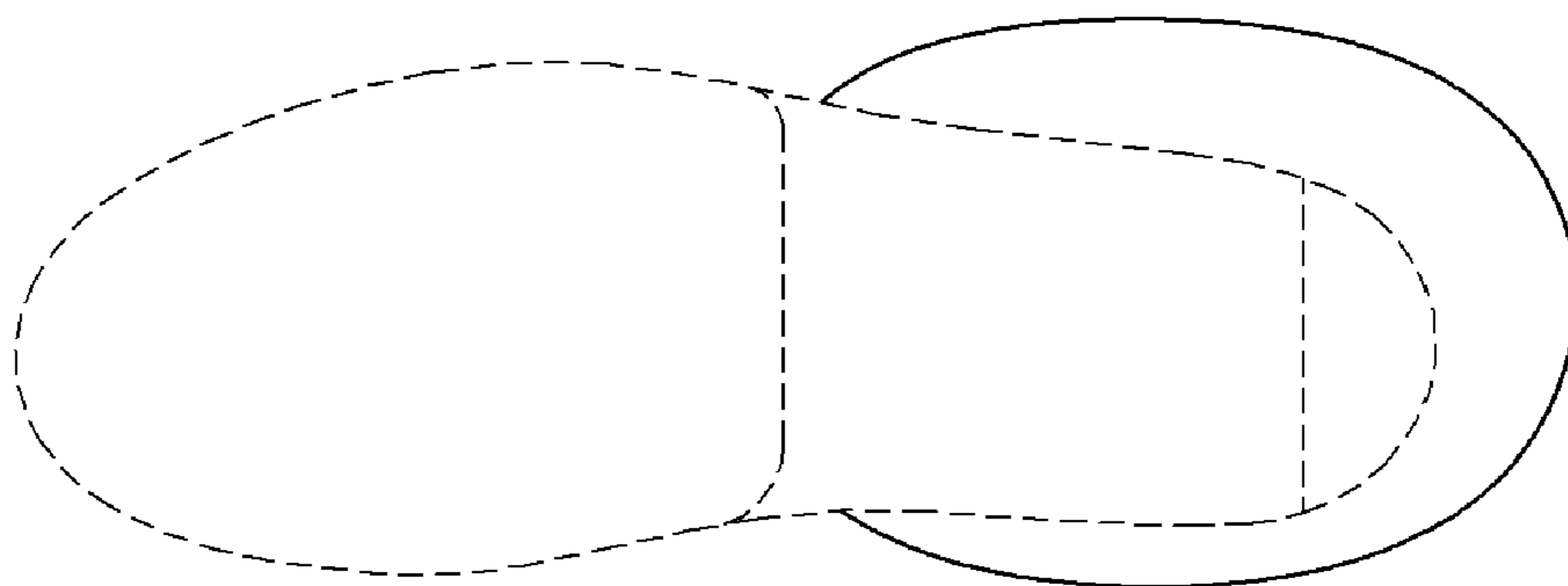


FIG. 8

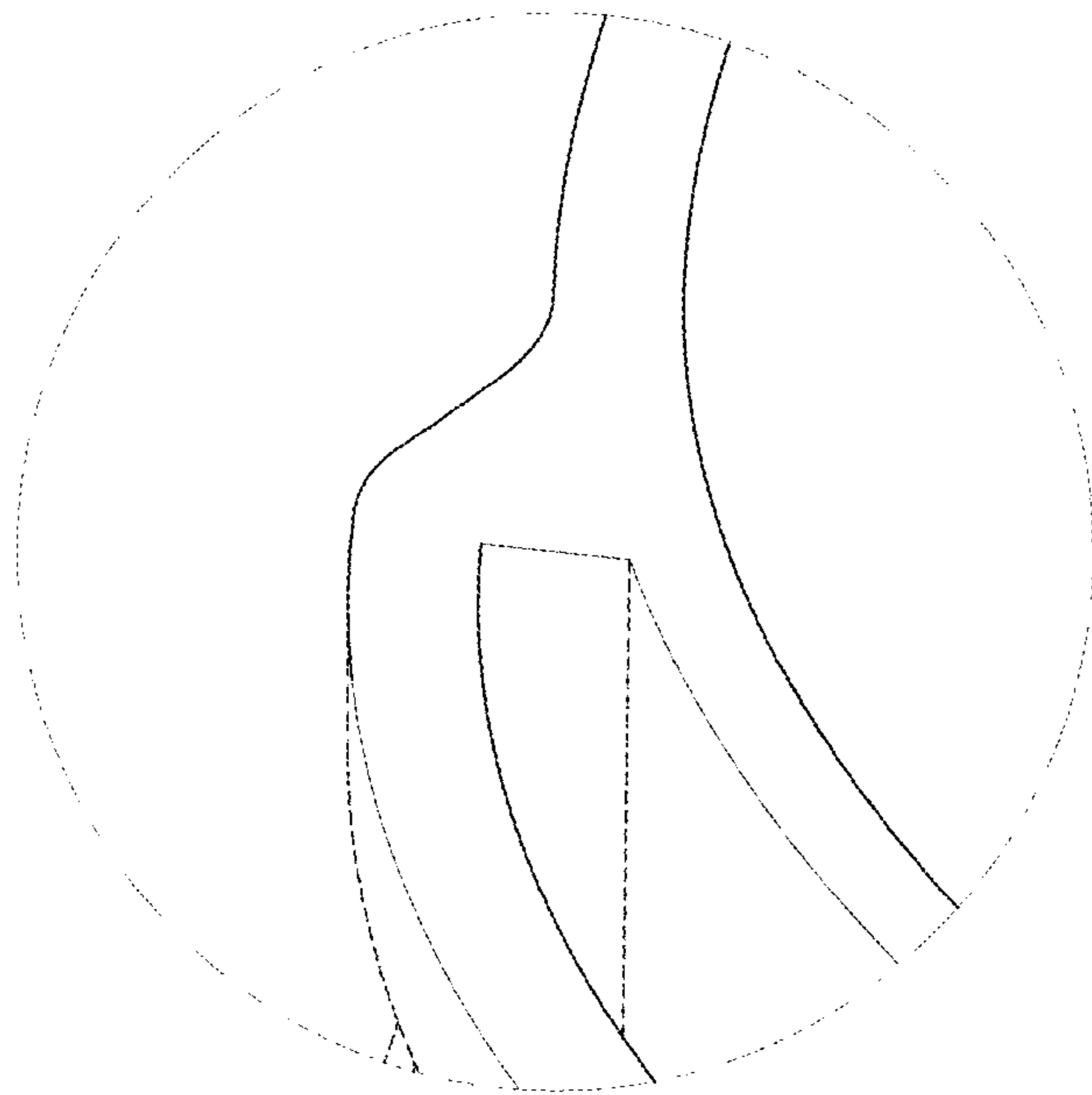


FIG. 9

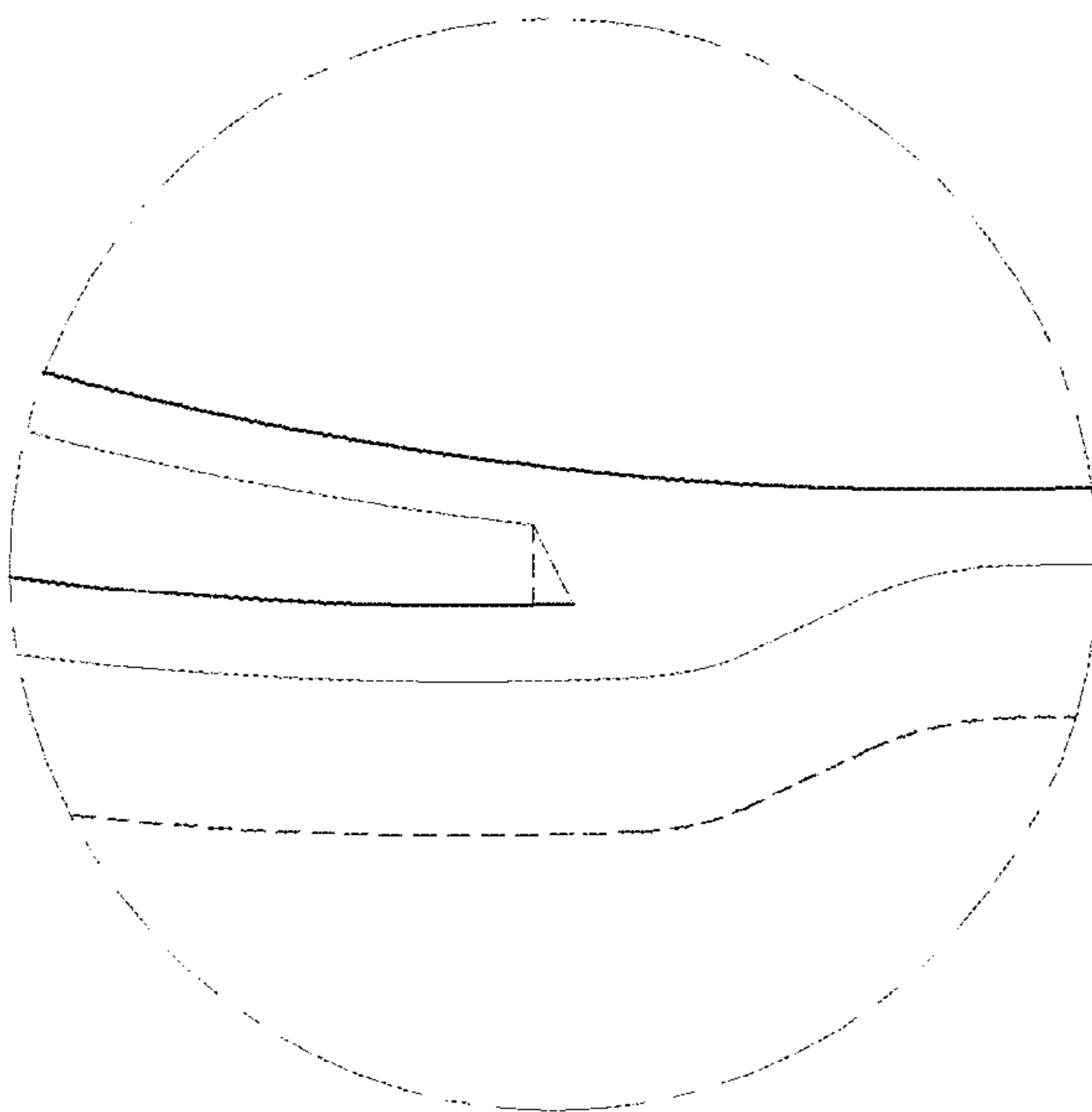


FIG. 10

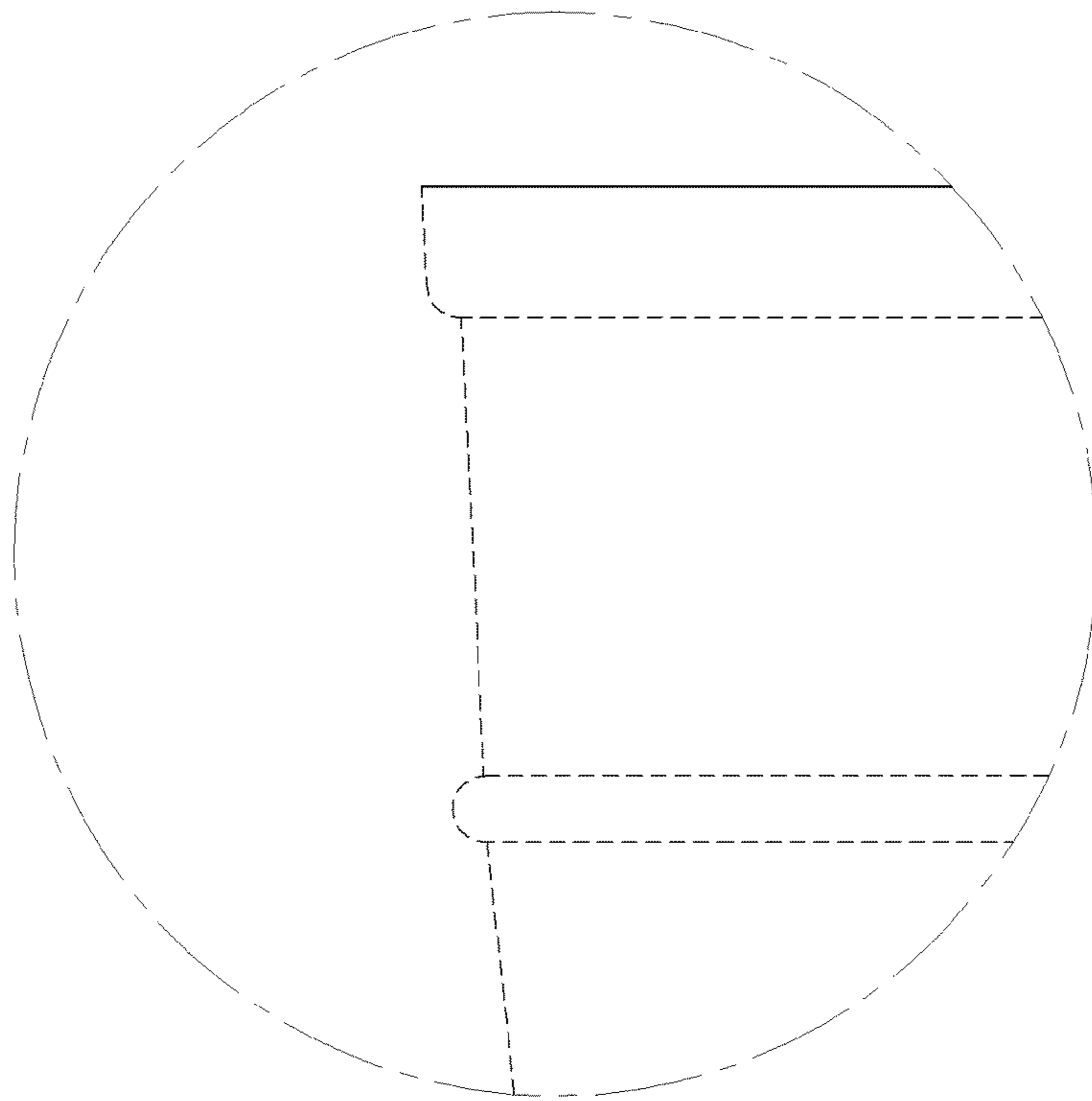


FIG. 11

