



US00D840639S

(12) **United States Design Patent**  
**Garcia**

(10) **Patent No.:** **US D840,639 S**

(45) **Date of Patent:** **\*\* Feb. 19, 2019**

(54) **DETACHABLE POCKET**

(71) Applicant: **Rachael Garcia**, Amelia, OH (US)

(72) Inventor: **Rachael Garcia**, Amelia, OH (US)

(\*\*) Term: **15 Years**

(21) Appl. No.: **29/583,676**

(22) Filed: **Nov. 8, 2016**

(51) **LOC (11) Cl.** ..... **02-02**

(52) **U.S. Cl.**  
USPC ..... **D2/857**

(58) **Field of Classification Search**  
USPC ..... D2/857, 716, 853; D3/226, 243, 247,  
D3/303

CPC ..... A41D 27/20  
See application file for complete search history.

(56) **References Cited**

**U.S. PATENT DOCUMENTS**

1,310,125	A *	7/1919	Lundberg et al. ....	A41D 27/20 2/247
3,741,376	A *	6/1973	Brown .....	A45F 5/02 206/37
5,617,587	A *	4/1997	Marchbanks .....	A41D 27/20 2/247
5,946,732	A *	9/1999	Richards .....	A44C 3/001 2/244
6,035,449	A *	3/2000	Galler .....	A41D 27/08 2/247
6,282,760	B1 *	9/2001	Mars .....	A44B 9/16 24/303
6,684,544	B1 *	2/2004	Buettell .....	G09F 7/04 40/1.5
6,796,344	B2 *	9/2004	Chen .....	A45C 1/024 150/113
7,808,392	B1 *	10/2010	Anklesaria .....	A61F 13/42 200/61.04

7,854,021	B2 *	12/2010	Compton .....	G09F 21/02 2/243.1
8,646,971	B2 *	2/2014	Doyle .....	B65D 33/24 383/38
D702,043	S *	4/2014	Johnson .....	D3/247

(Continued)

**FOREIGN PATENT DOCUMENTS**

CN	202019801	11/2011
CN	103815561	5/2014
WO	2011145088	11/2011

*Primary Examiner* — Kevin K Rudzinski

(74) *Attorney, Agent, or Firm* — Gary E. Lambert; David J. Connaughton, Jr.; Lambert Shortell & Connaughton

(57) **CLAIM**

The ornamental design for a detachable pocket, as shown and described.

**DESCRIPTION**

FIG. 1 is an isometric view of the front of the detachable pocket, which embodies my design.

FIG. 2 is an isometric view of the back of the detachable pocket.

FIG. 3 is a bottom plan view of the detachable pocket;

FIG. 4 is a top plan view of the detachable pocket.

FIG. 5 is a side view of the detachable pocket;

FIG. 6 is a side view of the detachable pocket;

FIG. 7 is a side view of the detachable pocket;

FIG. 8 is a side view of the detachable pocket; and,

FIG. 9 is an isometric view of the front of the detachable pocket.

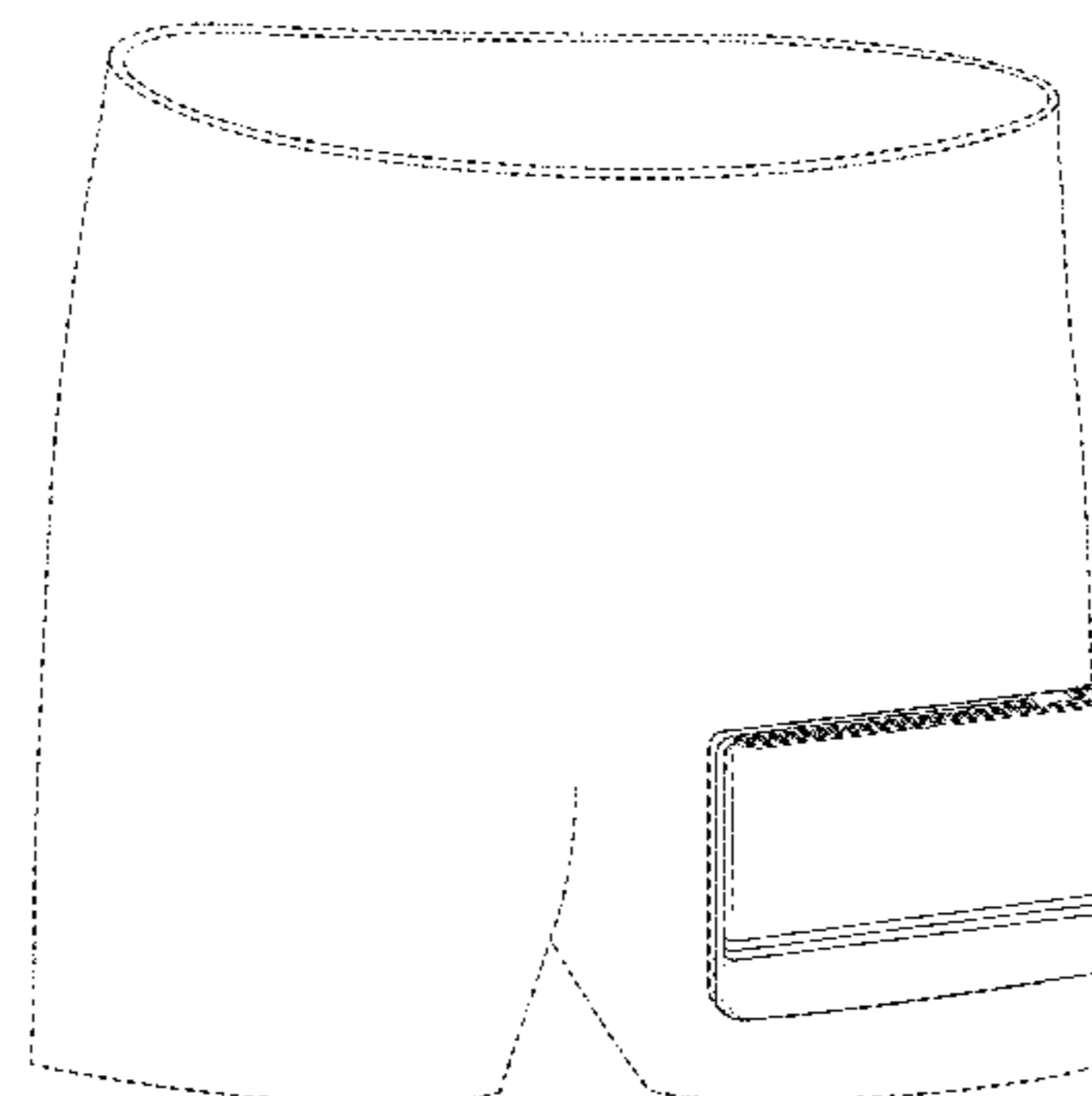
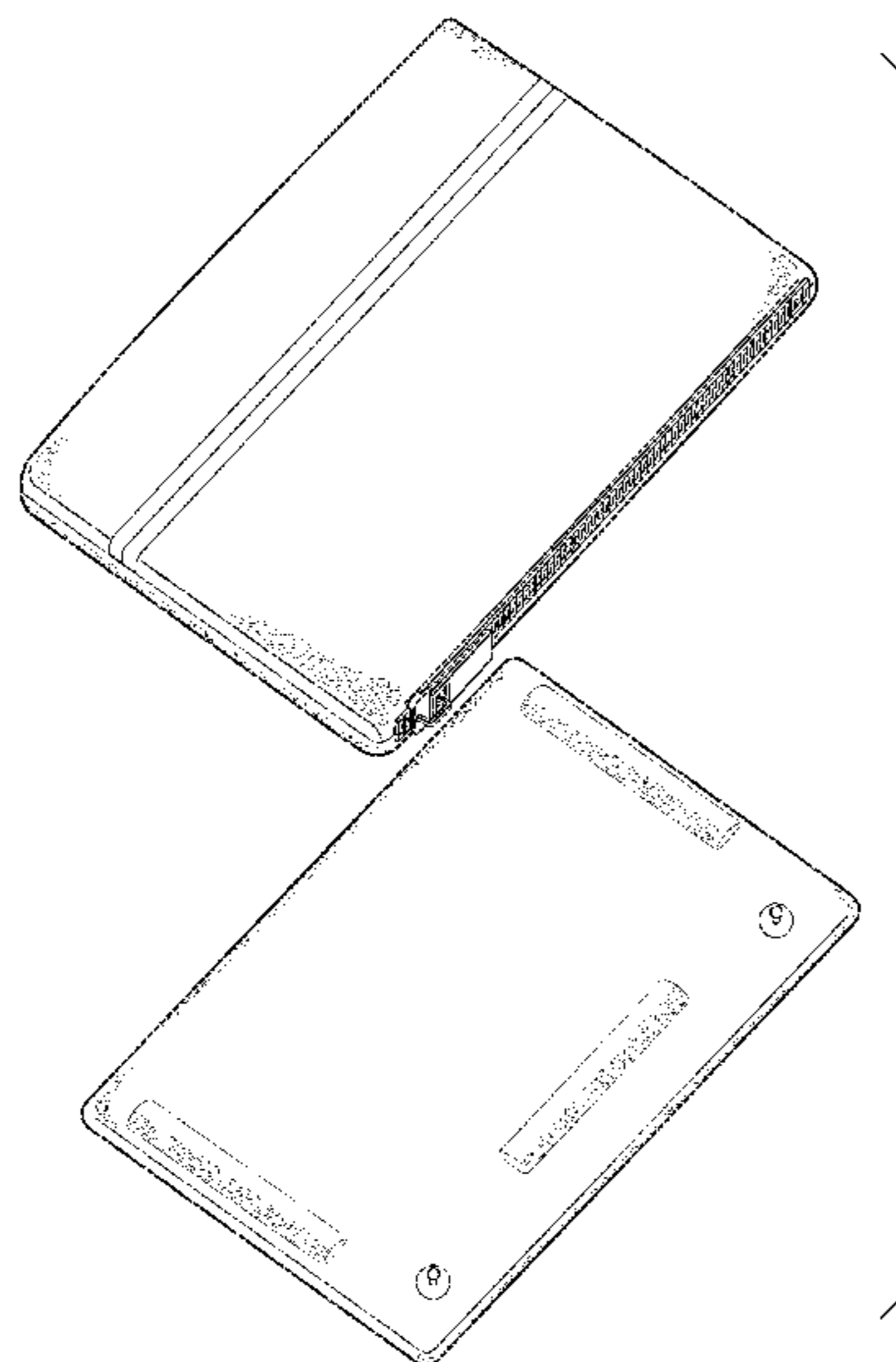
The broken lines in FIG. 1 representing stitching are part of the claimed design.

The broken lines in FIG. 2 representing stitching are part of the claimed design.

The broken lines in FIG. 4 representing stitching are part of the claimed design.

The shorts depicted by broken lines in FIG. 9 has been shown for the purpose of illustrating environmental features that form no part of the claimed design.

**1 Claim, 6 Drawing Sheets**



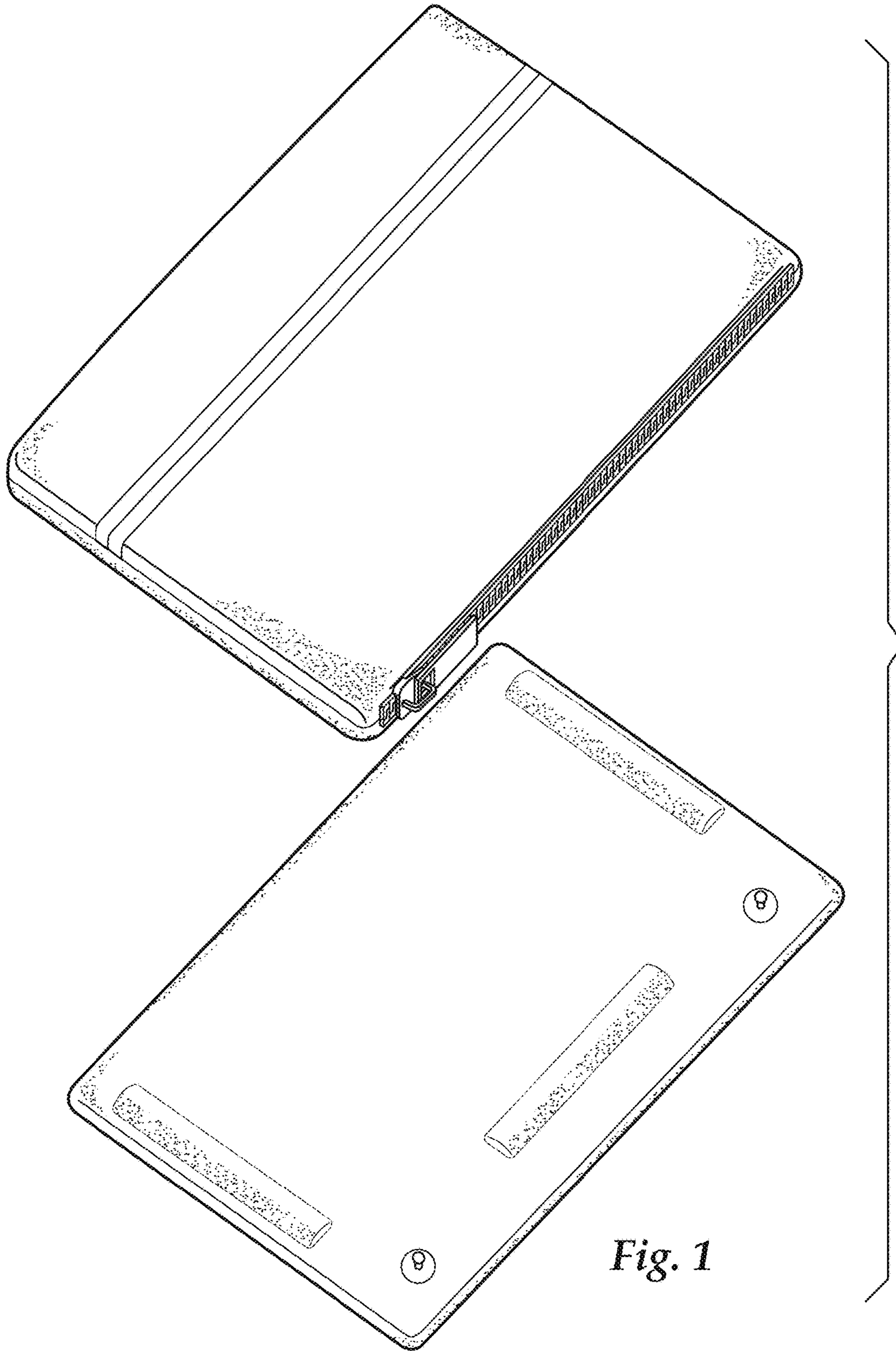
(56)

**References Cited**

U.S. PATENT DOCUMENTS

D799,212 S \* 10/2017 Huante ..... D3/303  
2004/0164115 A1 \* 8/2004 Bristel ..... A45C 1/04  
224/674  
2008/0025652 A1 \* 1/2008 Hendricks ..... A45C 11/16  
383/84  
2011/0047669 A1 \* 3/2011 Carr ..... A41D 27/08  
2/122  
2011/0067169 A1 3/2011 Compton et al.  
2011/0244758 A1 \* 10/2011 Boatright ..... A41C 3/0035  
450/89  
2012/0190413 A1 \* 7/2012 Ojeda ..... A45F 5/021  
455/575.8  
2013/0227764 A1 \* 9/2013 DiDavide ..... A41D 27/20  
2/247  
2014/0312083 A1 \* 10/2014 Scott ..... A45F 5/021  
224/183  
2015/0047105 A1 \* 2/2015 Fonzo ..... A41F 1/002  
2/265  
2016/0091183 A1 \* 3/2016 Leonard ..... G08B 5/004  
362/190

\* cited by examiner



*Fig. 1*

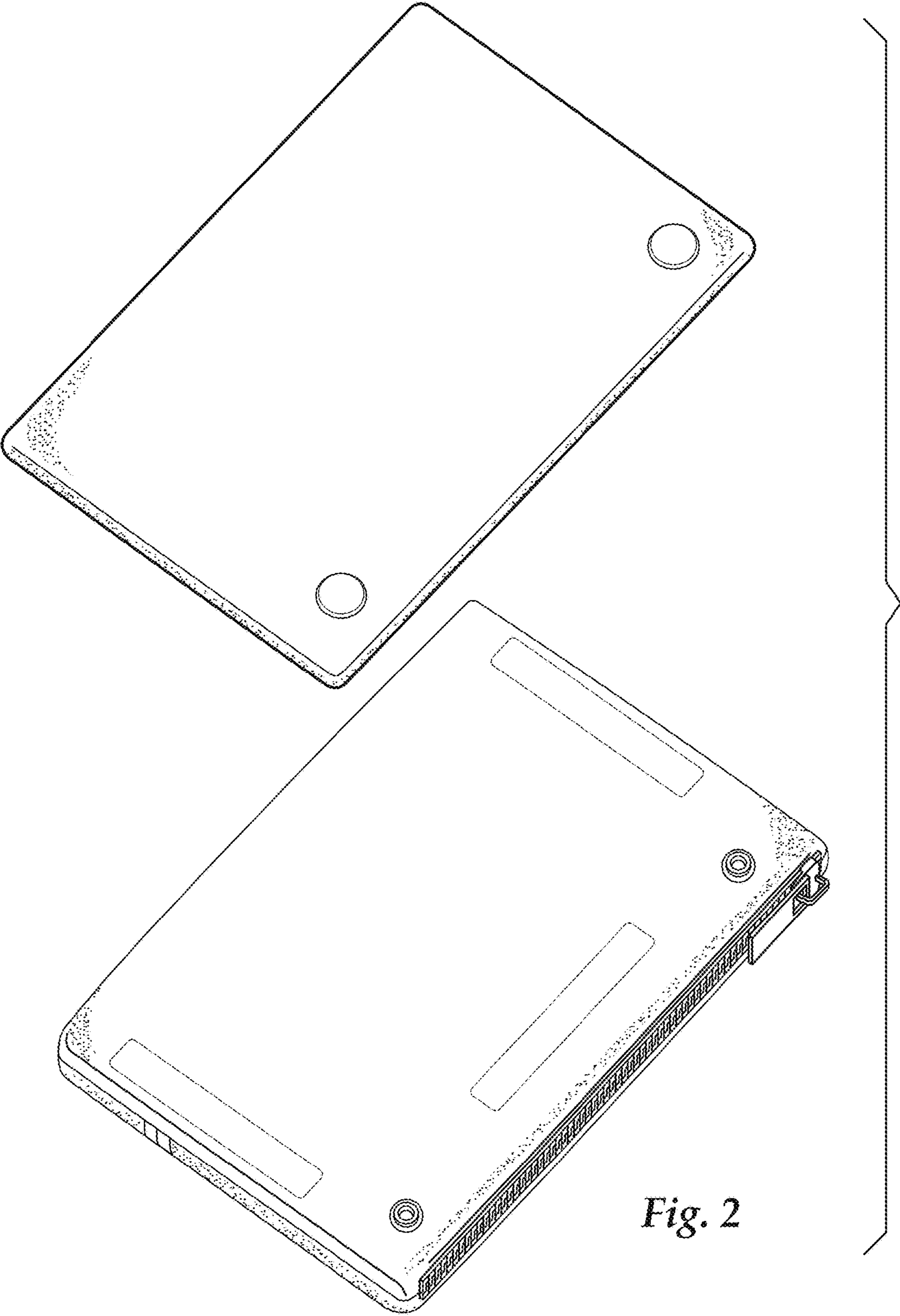
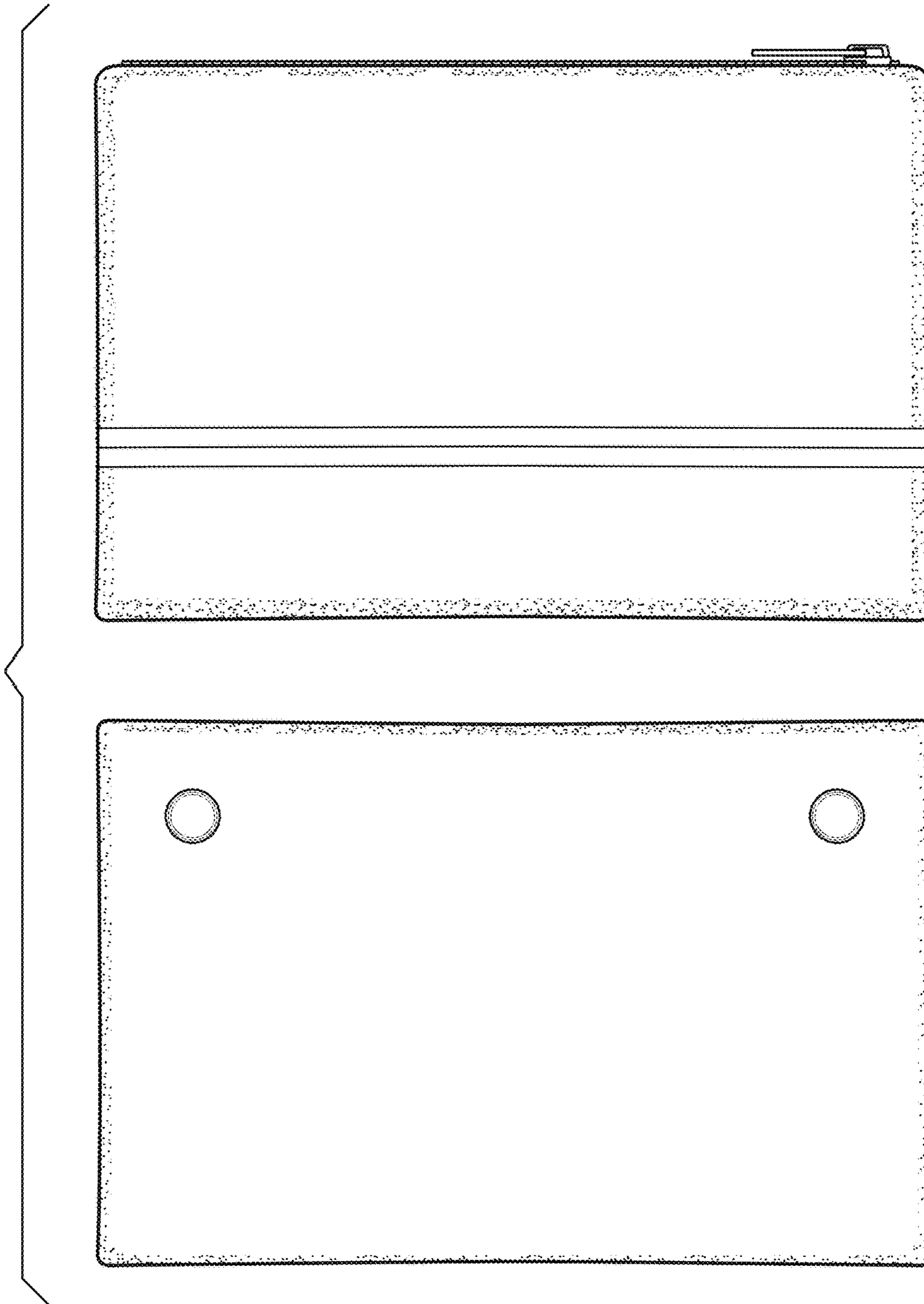
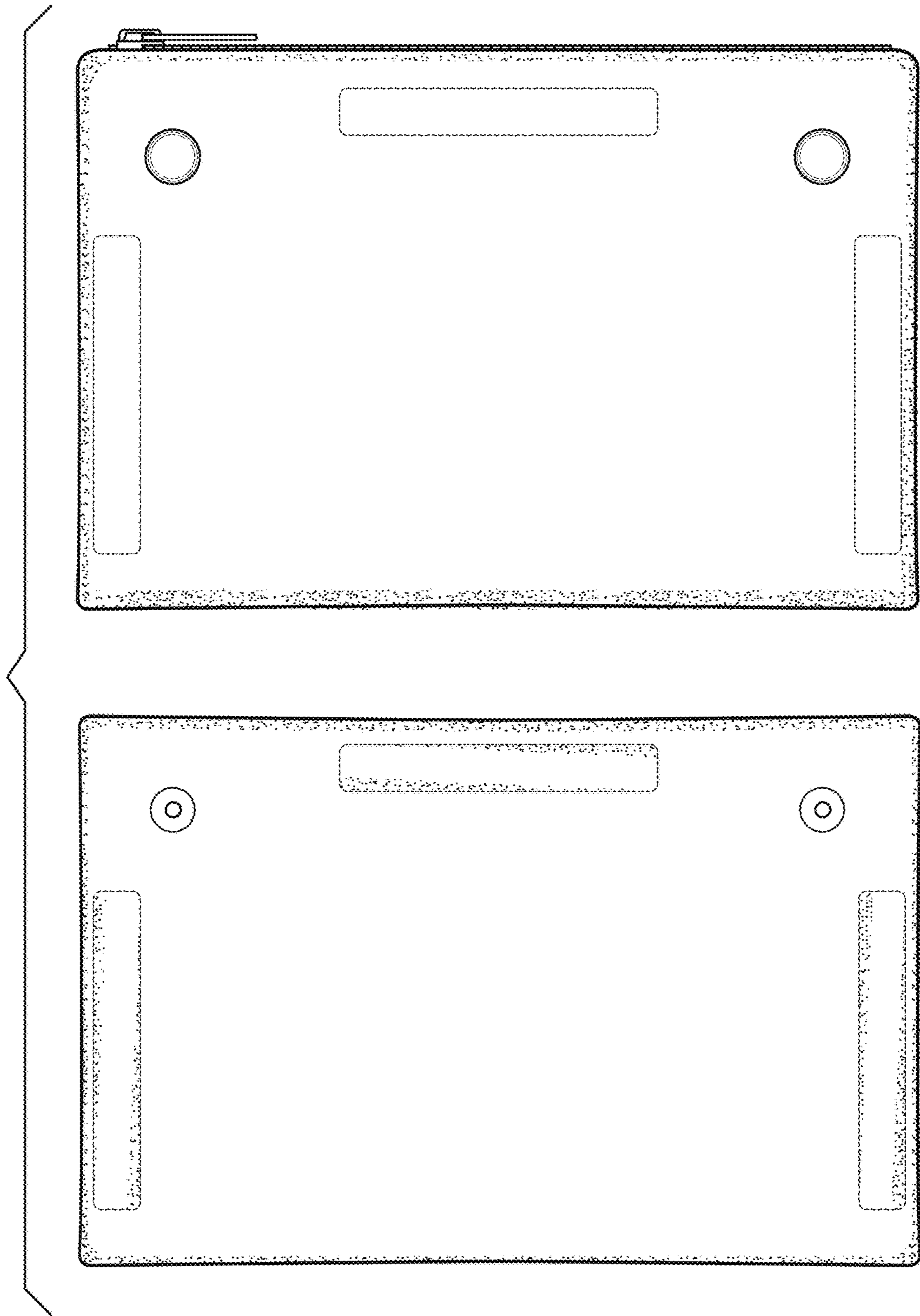


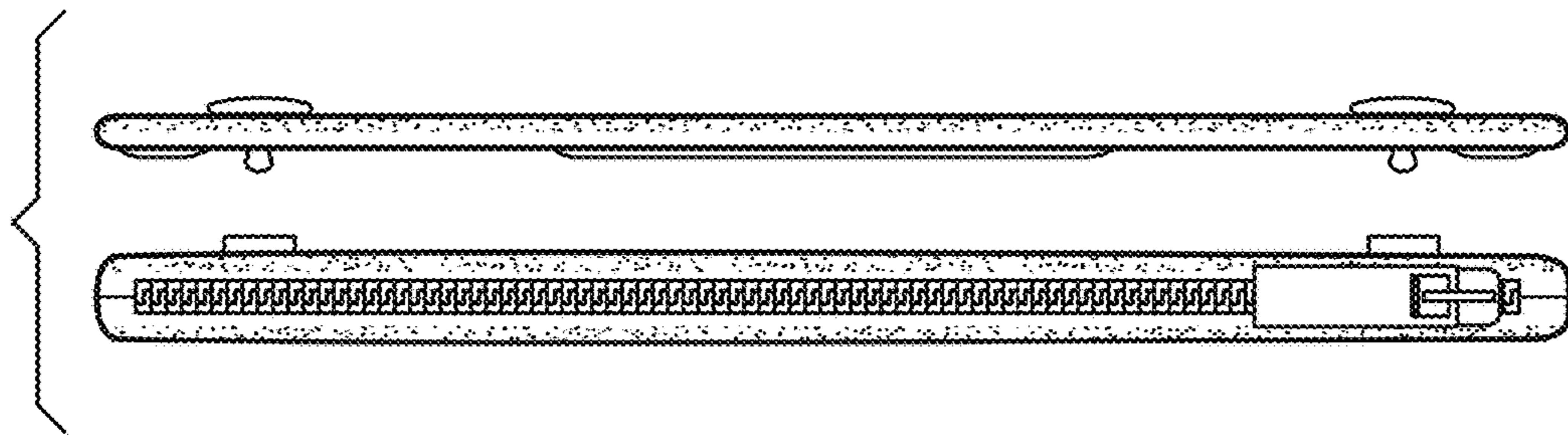
Fig. 2



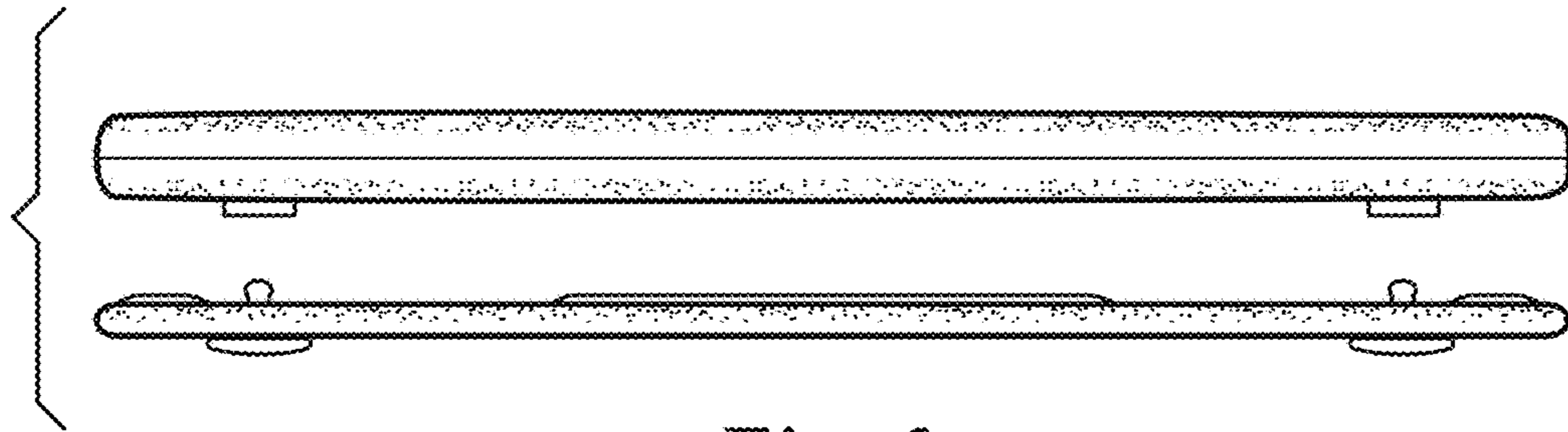
*Fig. 3*



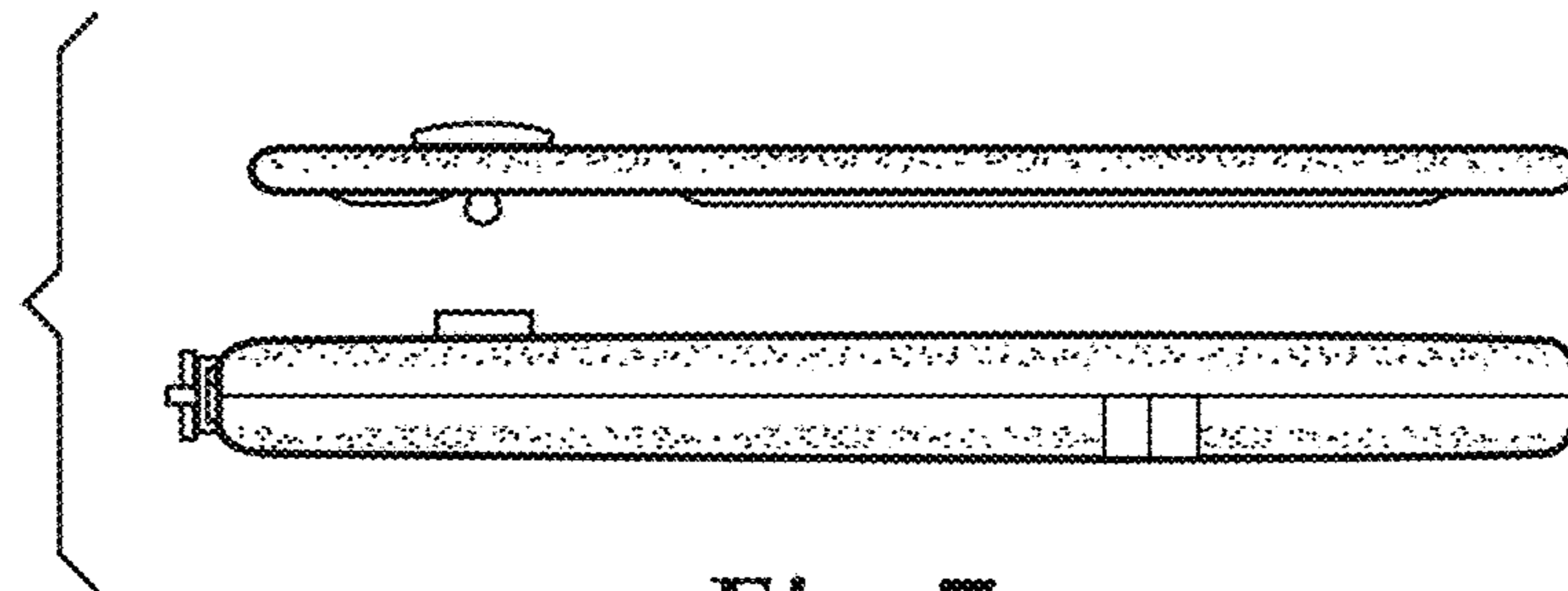
*Fig. 4*



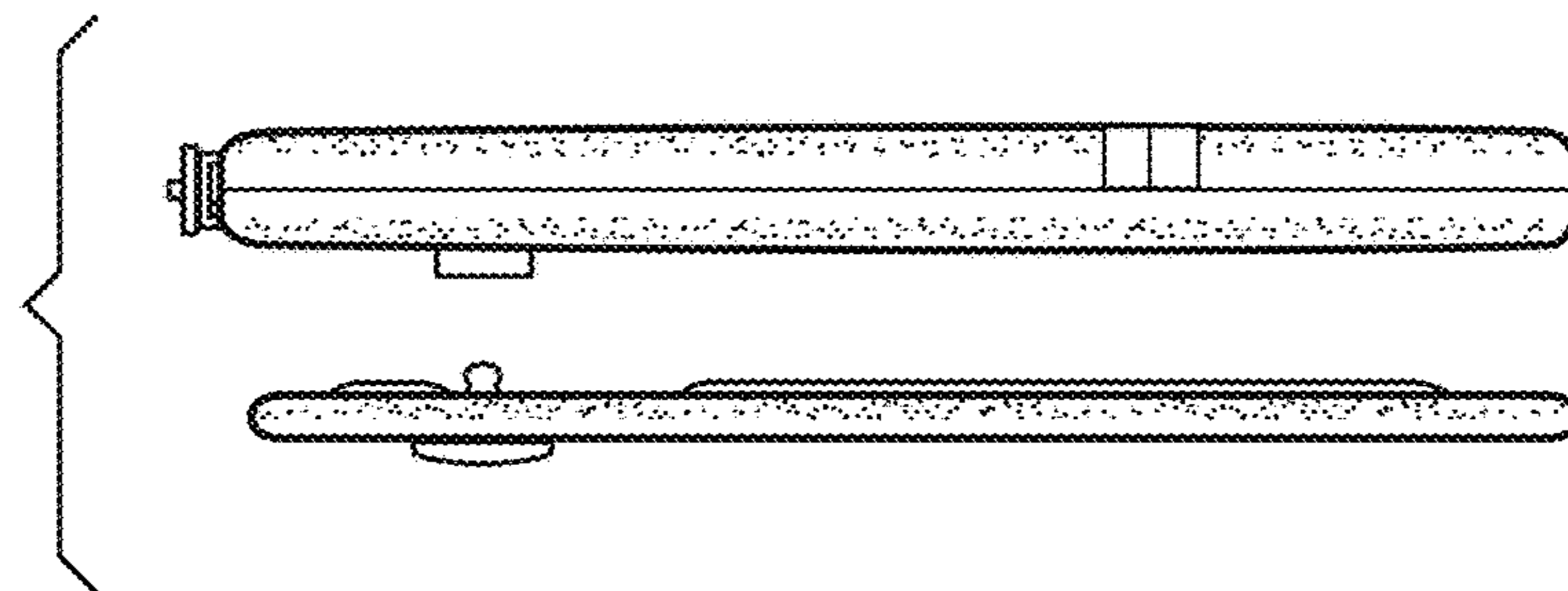
*Fig. 5*



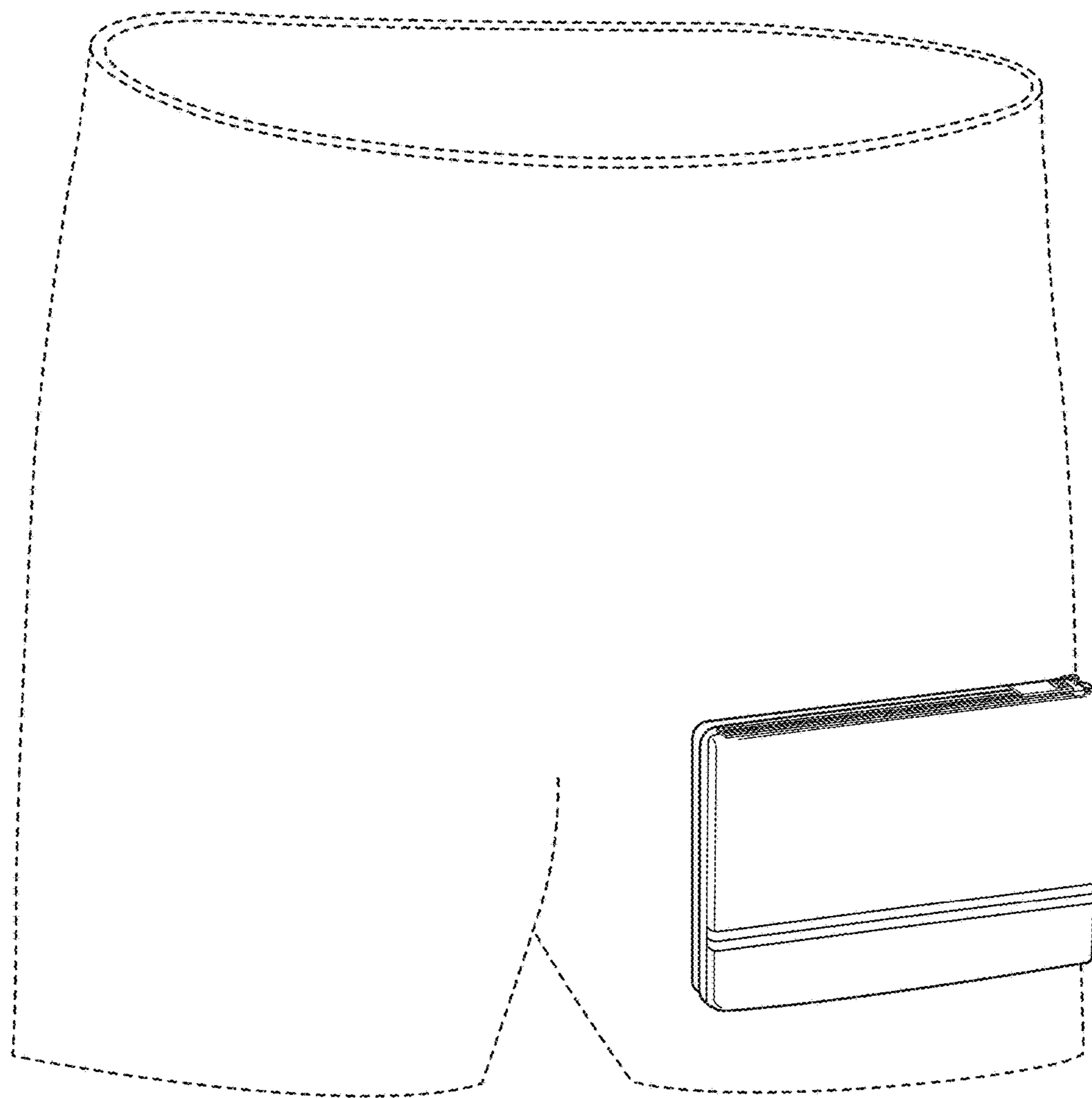
*Fig. 6*



*Fig. 7*



*Fig. 8*



*Fig. 9*