



US00D840637S

(12) **United States Design Patent**
Pirene

(10) **Patent No.:** **US D840,637 S**

(45) **Date of Patent:** **** Feb. 19, 2019**

(54) **SHORTS**

(71) Applicant: **LULULEMON ATHLETICA CANADA INC., Vancouver (CA)**

(72) Inventor: **Eliot Cohen Pirene, Vancouver (CA)**

(73) Assignee: **LULULEMON ATHLETICA CANADA INC., Vancouver (CA)**

(**) Term: **15 Years**

(21) Appl. No.: **29/616,159**

(22) Filed: **Sep. 1, 2017**

(51) **LOC (11) Cl.** **02-02**

(52) **U.S. Cl.**
USPC **D2/738**

(58) **Field of Classification Search**
USPC D2/712, 713, 716, 731, 738, 737, 742
CPC A41B 9/00; A41B 9/002; A41B 9/004;
A41B 9/005; A41B 9/007; A41B 9/008;
A41B 9/02; A41B 9/023; A41B 9/026;
A41B 9/04; A41D 1/06; A41D 1/08;
A41D 1/089; A41D 7/00
See application file for complete search history.

(56) **References Cited**

U.S. PATENT DOCUMENTS

D553,826 S * 10/2007 Austin D2/716
D559,501 S * 1/2008 Austin D2/716

D620,682 S * 8/2010 Washington D2/716
D661,871 S * 6/2012 Savage D2/742
D711,626 S * 8/2014 Savage D2/738
D759,345 S * 6/2016 Astin D2/712
D812,348 S * 3/2018 McManus D2/742
D816,303 S * 5/2018 Diakonov D2/857
2003/0101502 A1* 6/2003 Hayes A41D 27/20
2/78.1
2015/0074871 A1* 3/2015 Emich A41D 27/20
2/228
2016/0295933 A1* 10/2016 Herbener A41D 27/20

* cited by examiner

Primary Examiner — R. Johnson

(74) *Attorney, Agent, or Firm* — Conneely PC; Joseph Conneely

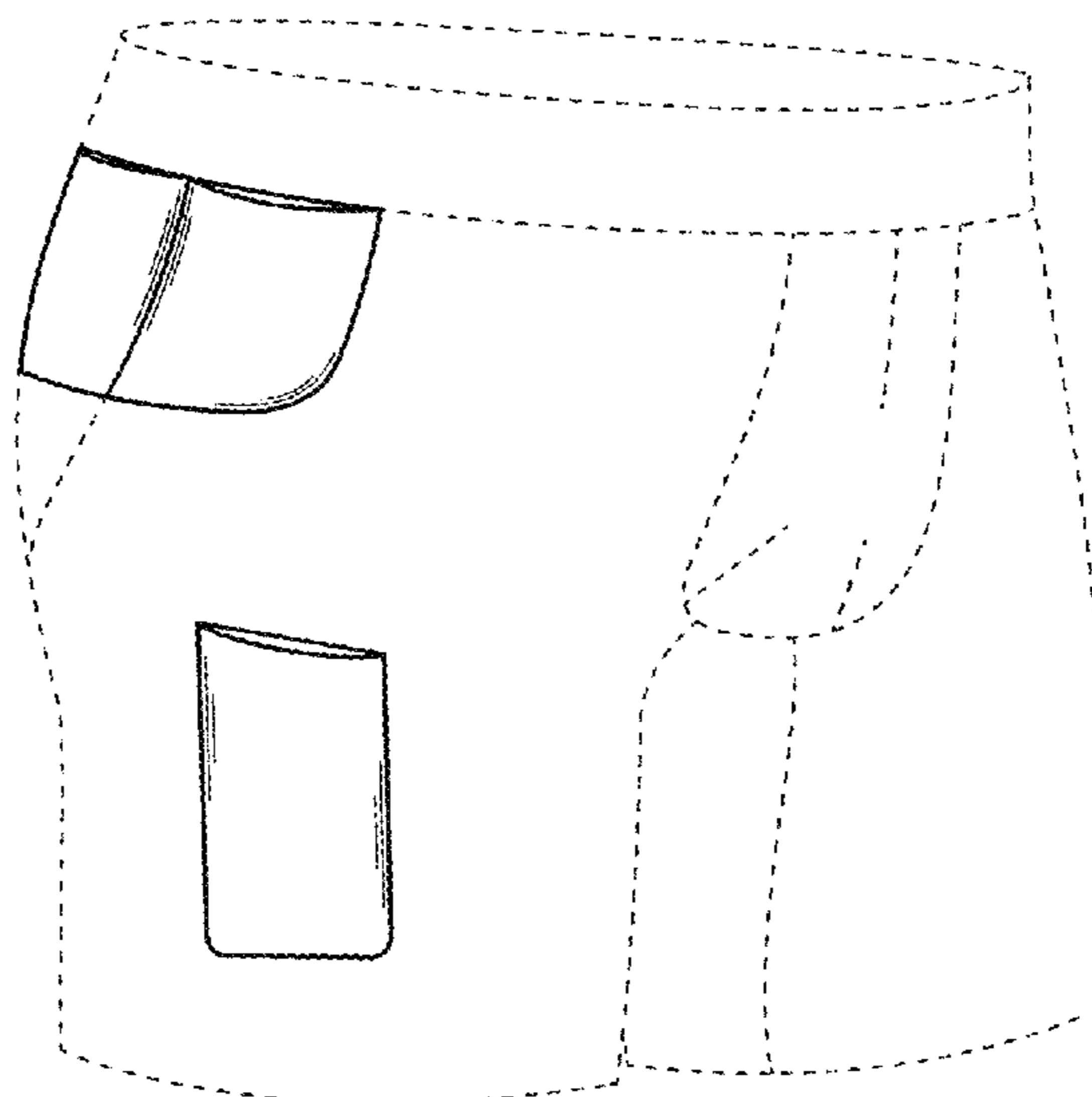
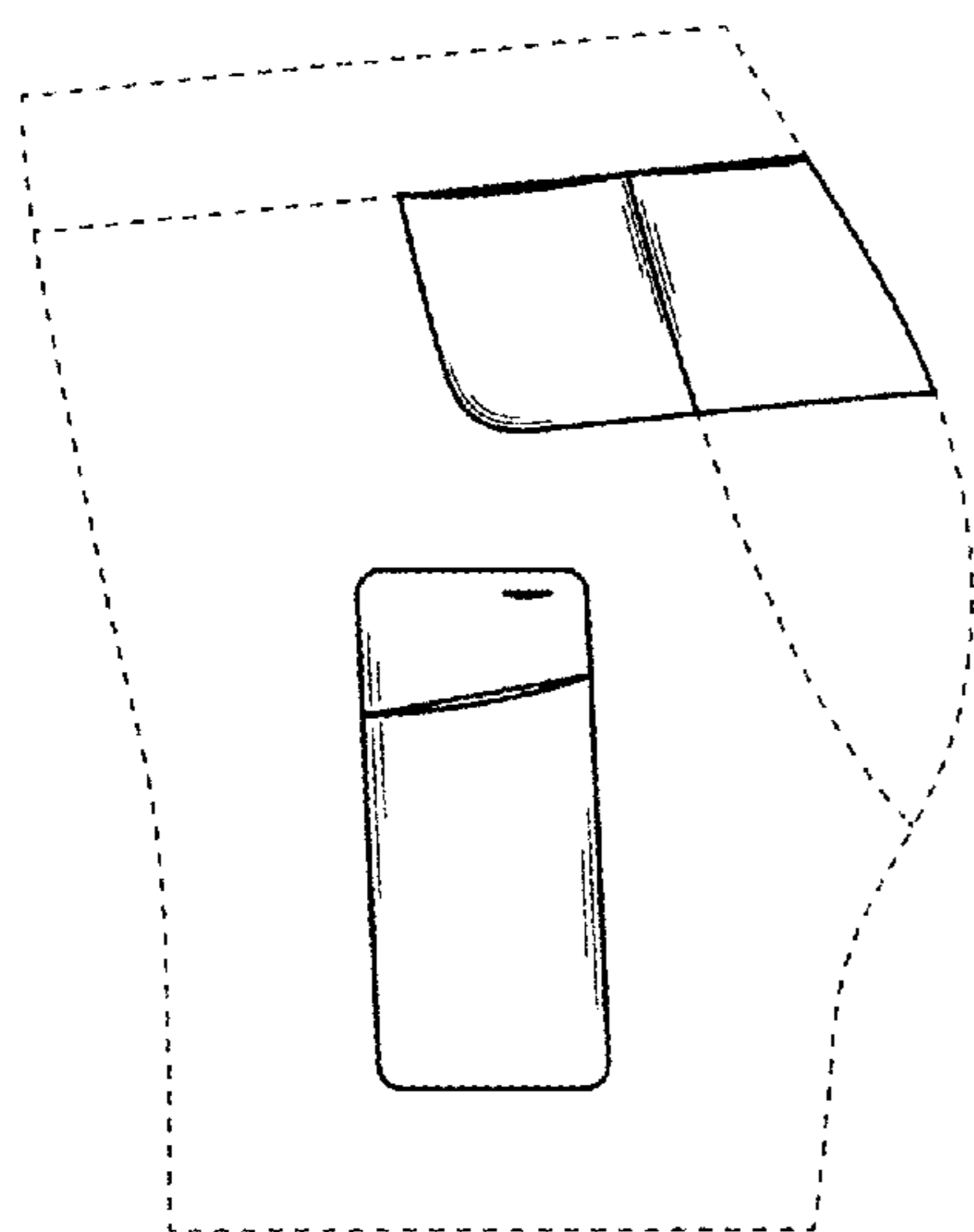
(57) **CLAIM**

The ornamental design for shorts, as shown and described.

DESCRIPTION

FIG. 1 is a front view of shorts according to the design;
FIG. 2 is a rear view thereof;
FIG. 3 is a left side view thereof;
FIG. 4 is a right side view thereof;
FIG. 5 is a front perspective view thereof; and,
FIG. 6 is a rear perspective view thereof.
The portions of the shorts shown in broken lines in FIGS. 1-6 do not form part of the claimed design.

1 Claim, 6 Drawing Sheets



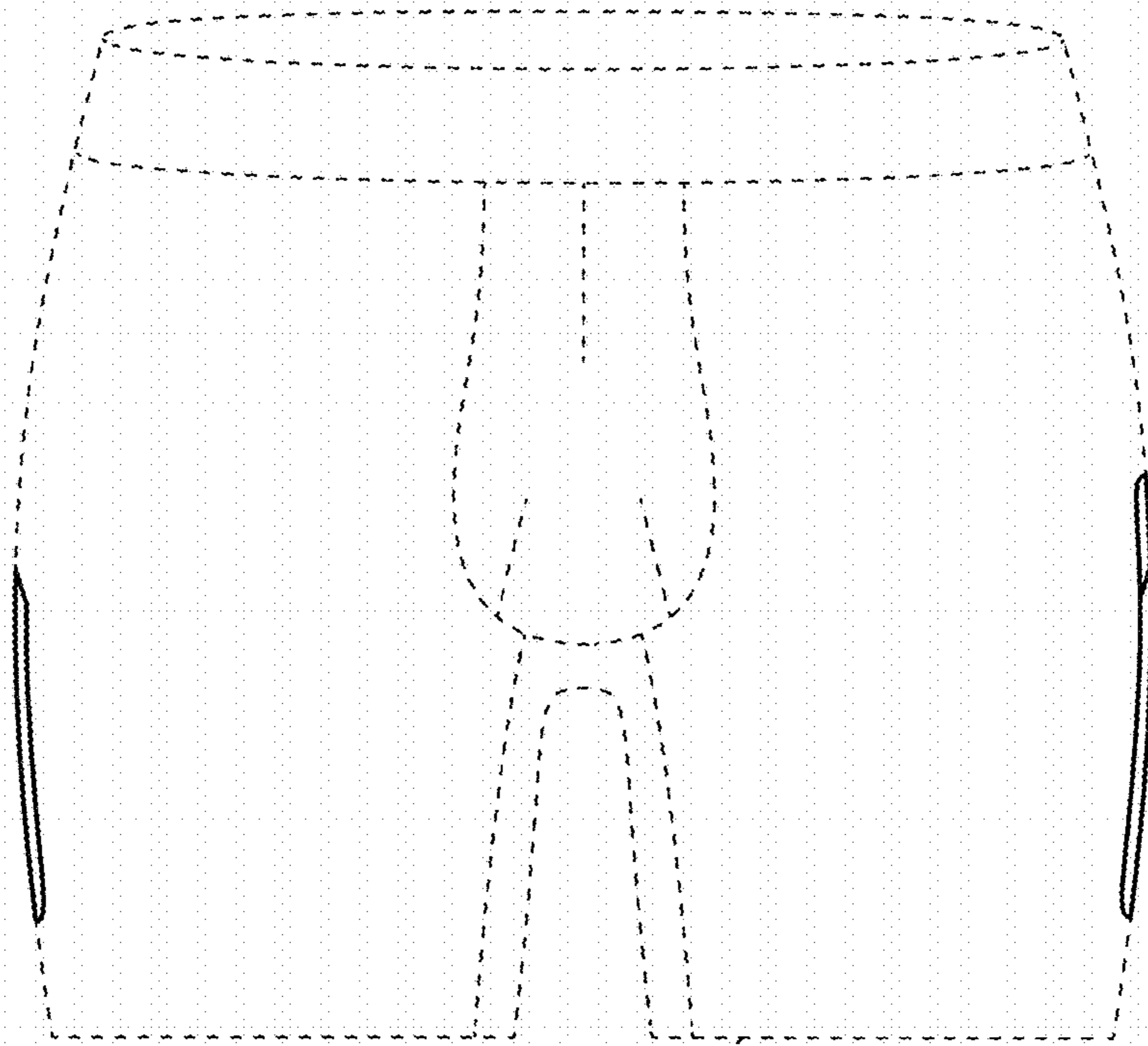


FIG. 1

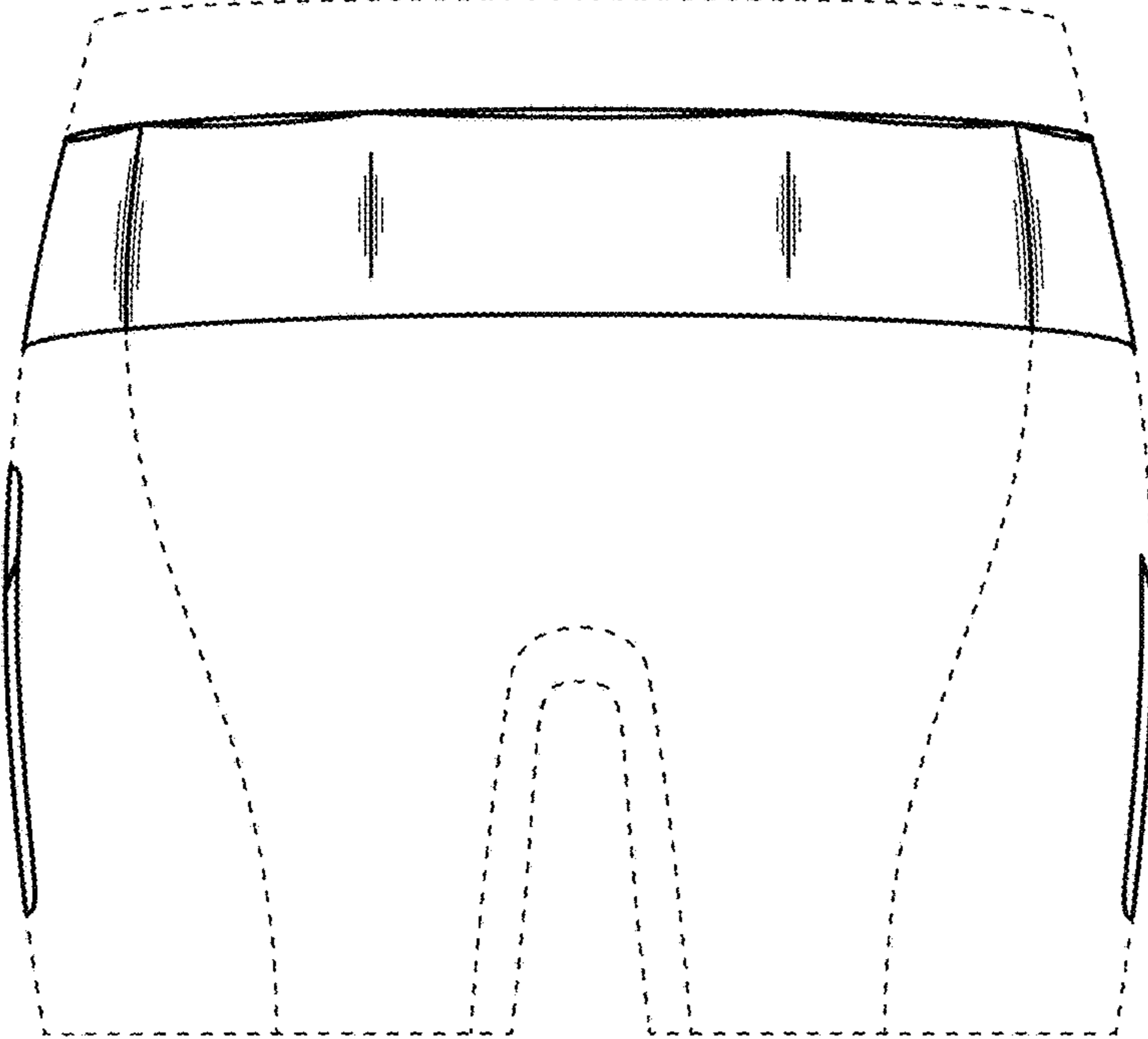


FIG. 2

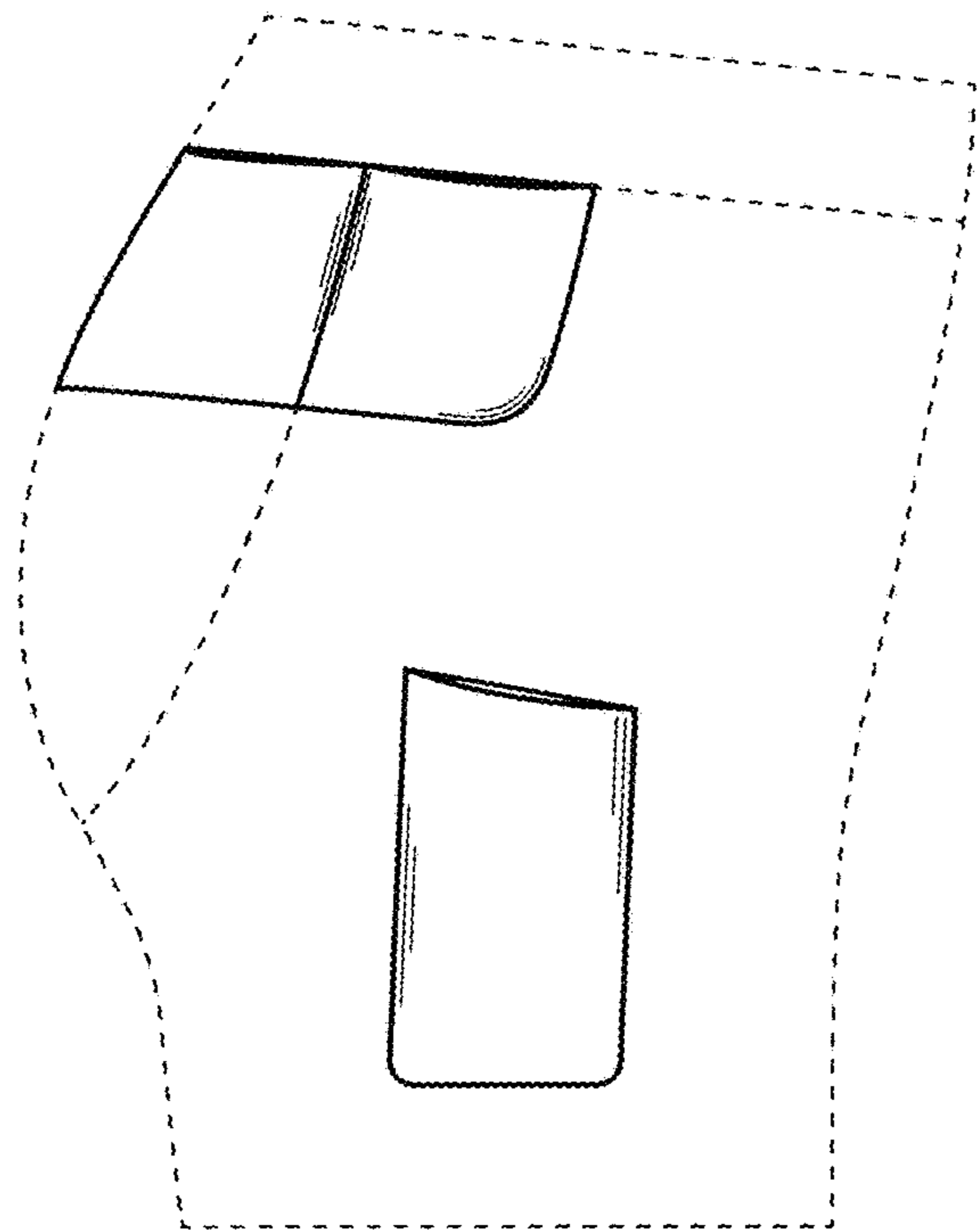


FIG. 3

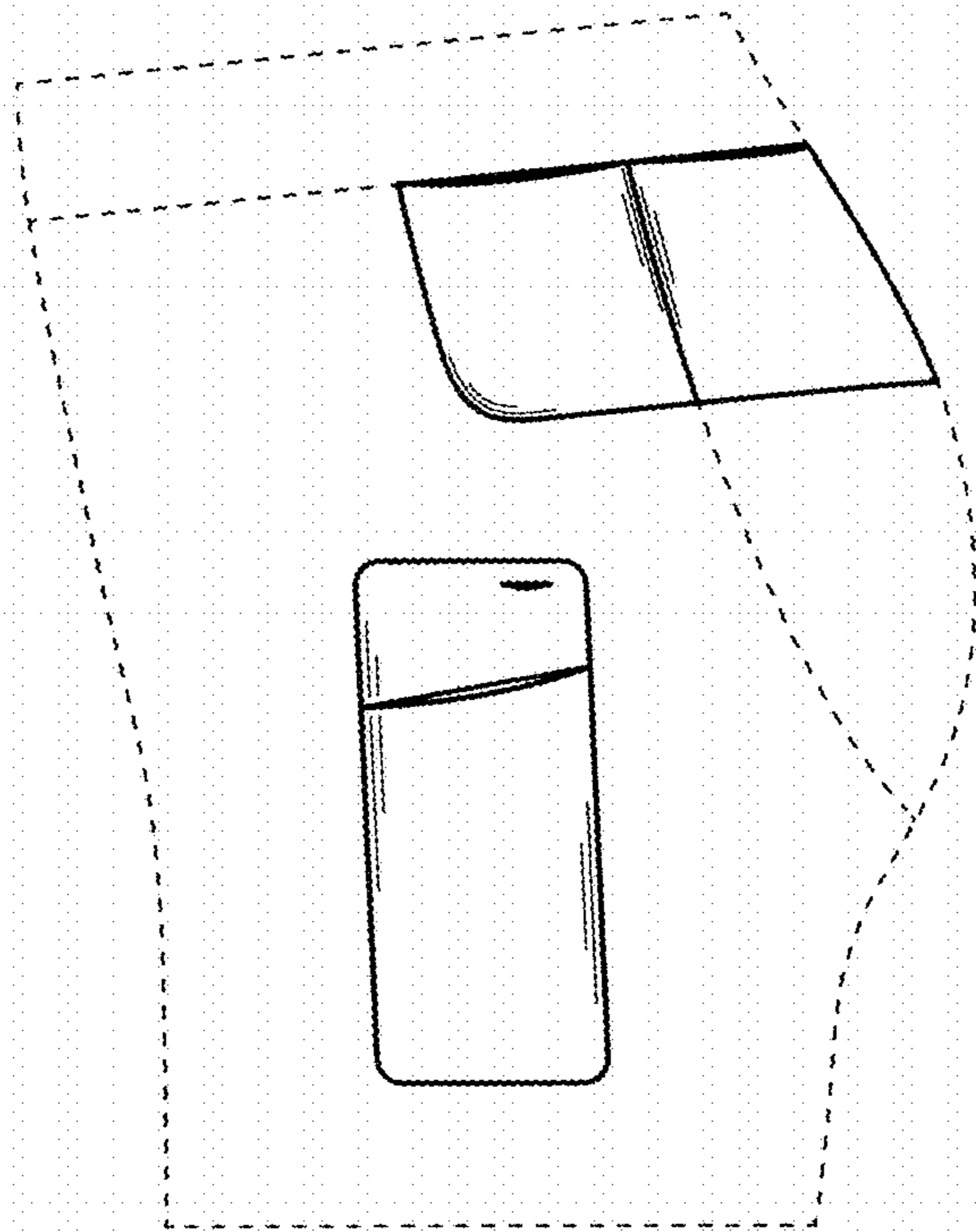


FIG. 4

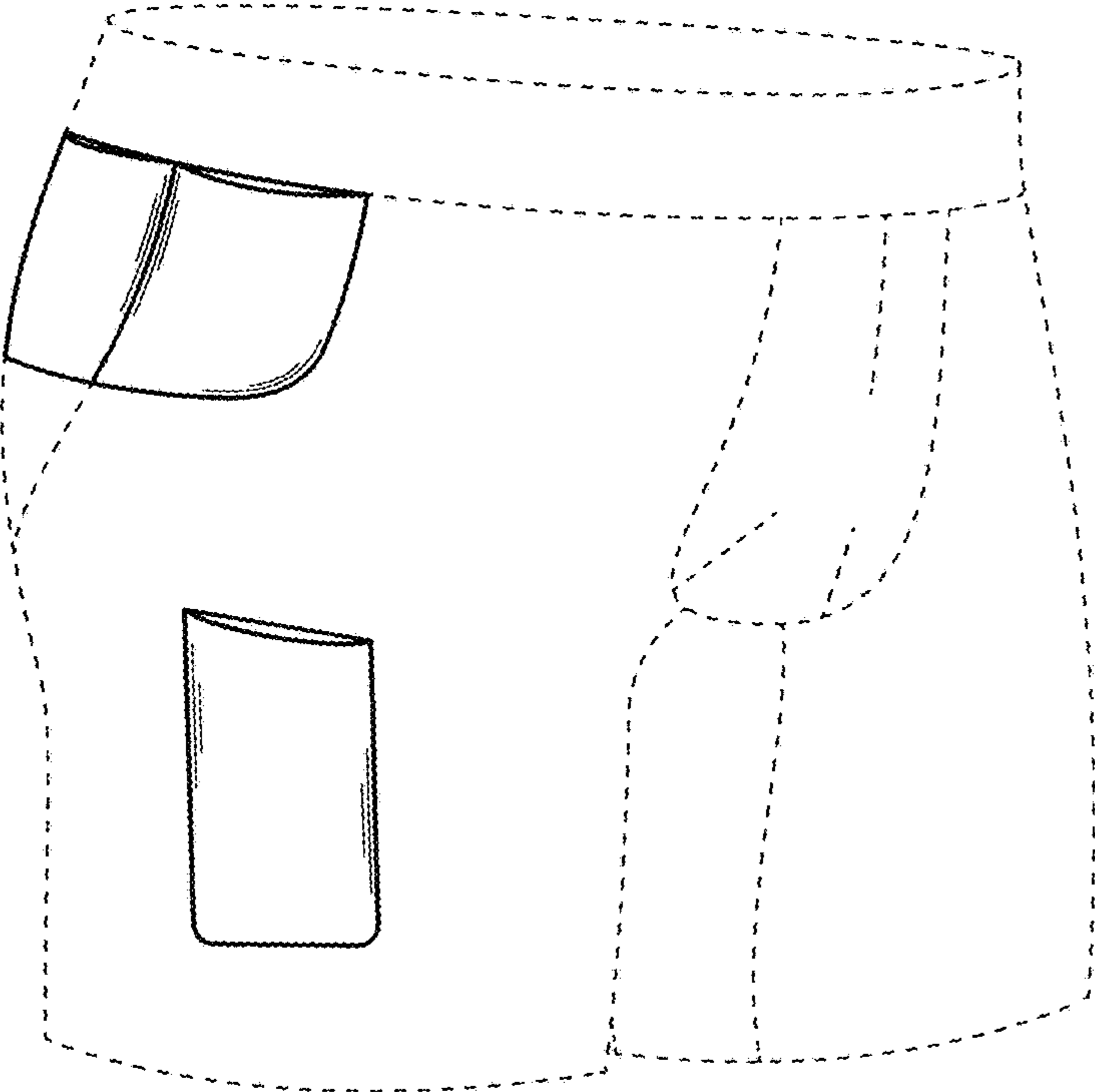


FIG. 5

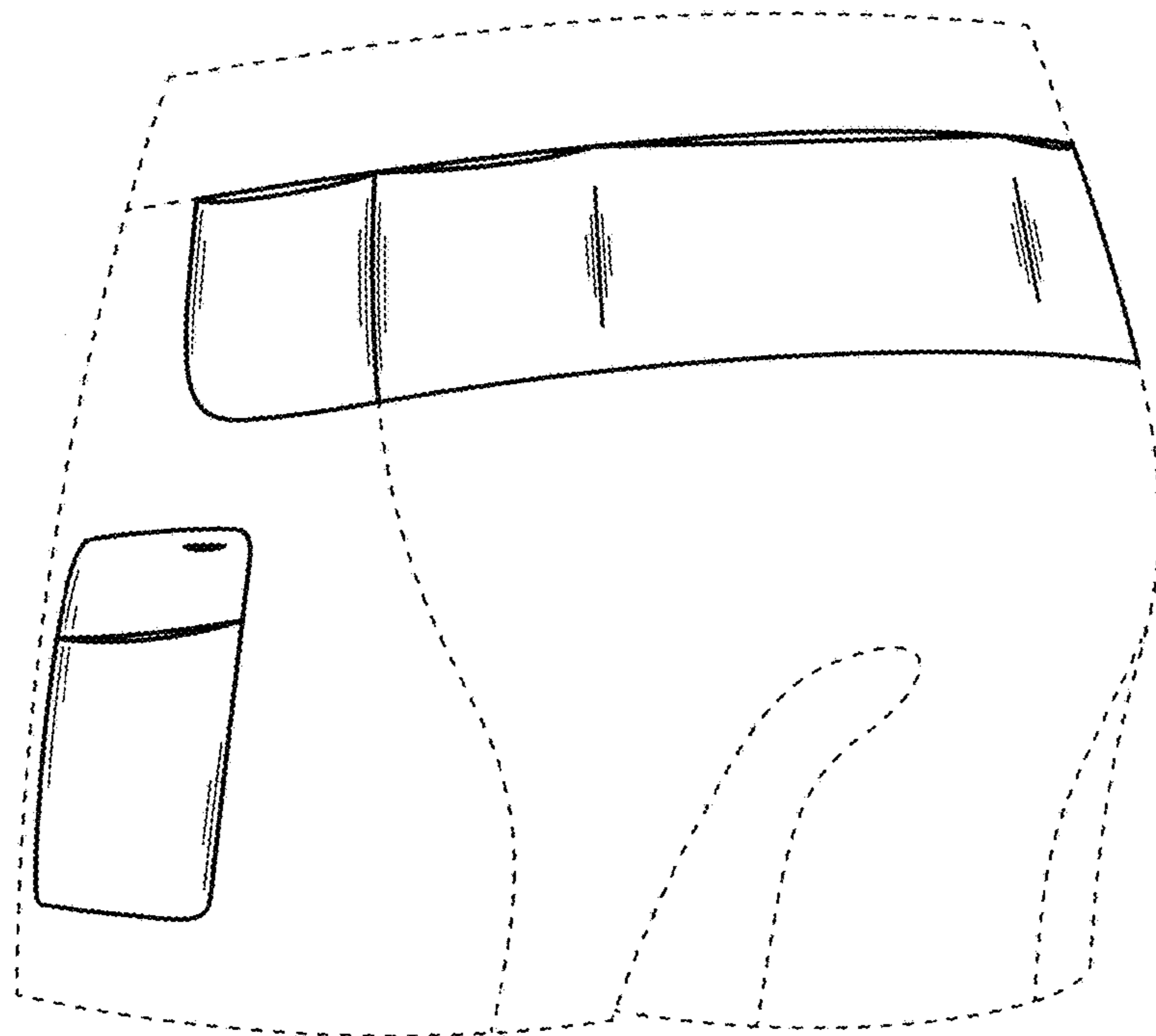


FIG. 6