



US00D840634S

(12) **United States Design Patent**  
**Steward**

(10) **Patent No.:** **US D840,634 S**

(45) **Date of Patent:** **\*\* Feb. 19, 2019**

(54) **BABY TEETHING MITTEN**

(71) Applicant: **Julie Steward**, Lantzville (CA)

(72) Inventor: **Julie Steward**, Lantzville (CA)

(\*\*) Term: **15 Years**

(21) Appl. No.: **29/621,407**

(22) Filed: **Oct. 6, 2017**

(30) **Foreign Application Priority Data**

Apr. 7, 2017 (CA) ..... 174020

(51) **LOC (11) Cl.** ..... **02-06**

(52) **U.S. Cl.**  
USPC ..... **D2/622**

(58) **Field of Classification Search**  
USPC ..... D2/618, 620, 621, 617, 623, 622;  
D29/113, 116.2, 117.2  
CPC ..... A41D 19/0065; A41D 19/01558; A41D  
19/02; A41D 13/01; A41D 19/0017;  
A41D 19/01505; A41D 19/0157; A41D  
31/0088; A41D 19/01; D04B 1/28; F41H  
1/00

See application file for complete search history.

(56) **References Cited**

**U.S. PATENT DOCUMENTS**

- 981,192 A \* 1/1911 Hollingshead ..... A47L 13/18  
15/210.1
- 1,053,204 A \* 2/1913 Morrison ..... A41D 19/01  
2/158
- 1,280,421 A \* 10/1918 Diem ..... A41D 19/01  
2/158
- 1,507,707 A \* 9/1924 Morganstern ..... A47K 7/02  
15/227
- 2,233,686 A \* 3/1941 Topjian ..... A45D 33/34  
15/227
- 2,279,100 A \* 4/1942 Goldsmith ..... A45D 33/00  
15/227

- 2,586,608 A 2/1952 Bryson
- 2,695,999 A \* 12/1954 Arnold ..... A41D 13/082  
2/20
- 3,135,966 A \* 6/1964 Higgins ..... A41D 19/01  
2/158

(Continued)

**FOREIGN PATENT DOCUMENTS**

- CA 2508210 A1 7/2004
- CA 2719930 A1 10/2009

(Continued)

**OTHER PUBLICATIONS**

Gummee Glove, posted at amazon.com, posting date by Jun. 18, 2015, [online], [site visited Sep. 7, 2018]. Available from Internet, URL: <https://www.amazon.com/Gummee-Wearable-Detachable-Silicone-Refrigeration/dp/B00ZGGVD1S> (Year: 2015).\*

(Continued)

*Primary Examiner* — George D. Kirschbaum  
*Assistant Examiner* — Maria J Edwards  
(74) *Attorney, Agent, or Firm* — Oyen Wiggs Green & Mutala LLP

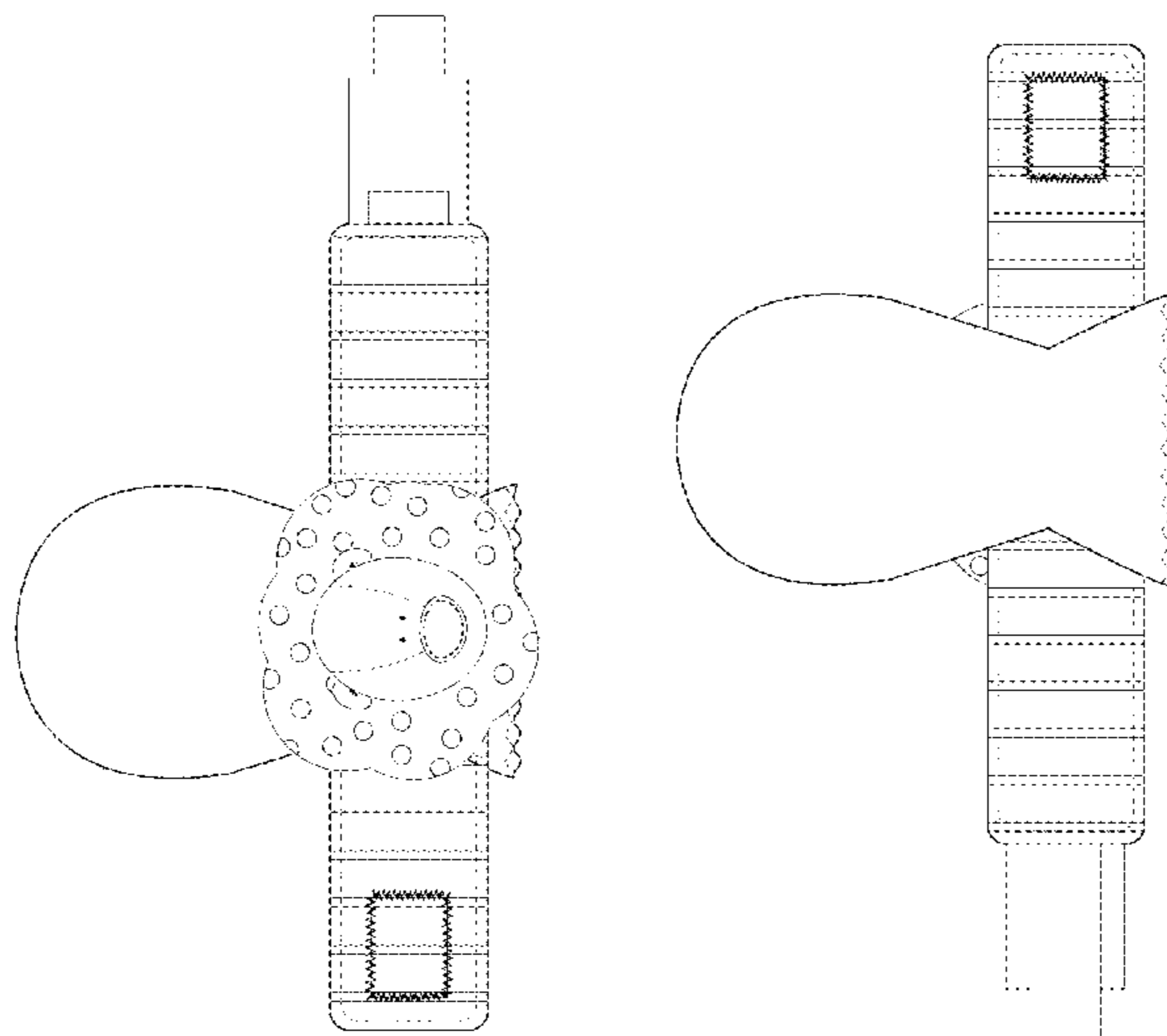
(57) **CLAIM**

The ornamental design for baby teething mitten, as shown and described.

**DESCRIPTION**

FIG. 1 is a front view thereof;  
FIG. 2 is a rear view thereof;  
FIG. 3 is a left side view thereof;  
FIG. 4 is a right side view thereof  
FIG. 5 is a bottom view thereof; and,  
FIG. 6 is a top plan view thereof.  
The broken lines in FIGS. 1-6 represent portions of the baby teething mitten and form no part of the claimed design.

**1 Claim, 6 Drawing Sheets**



(56)

References Cited

U.S. PATENT DOCUMENTS

3,253,589 A \* 5/1966 Shook ..... A61F 5/3761  
128/879  
D303,725 S \* 9/1989 Rojko ..... D28/63  
D307,198 S \* 4/1990 Rojko ..... D2/622  
D307,199 S \* 4/1990 Rojko ..... D2/622  
4,972,980 A 11/1990 Parsons  
4,985,968 A 1/1991 Hooper  
5,050,596 A \* 9/1991 Walasek ..... A41D 19/0068  
2/158  
D345,456 S \* 3/1994 Favero ..... D2/615  
5,385,573 A 1/1995 Wright  
D365,891 S \* 1/1996 Gargano ..... D2/622  
5,551,086 A \* 9/1996 Albanese ..... A61F 5/3723  
128/879  
D377,053 S \* 12/1996 Williams ..... D2/622  
D380,285 S \* 7/1997 Babcock ..... D2/610  
D395,151 S \* 6/1998 Maddox ..... D2/614  
D397,363 S \* 8/1998 Williams ..... D2/622  
5,881,384 A \* 3/1999 Williams ..... A41D 19/01  
2/158  
5,993,285 A 11/1999 Sofia et al.  
D417,939 S \* 12/1999 Grinberg ..... D2/622  
6,461,214 B1 10/2002 Lynch  
6,581,211 B1 \* 6/2003 Golden ..... A41D 19/01  
2/158  
6,905,507 B2 6/2005 Hinshaw  
D509,628 S 9/2005 Gilbert, Jr.  
D517,696 S \* 3/2006 Jones ..... D2/622  
D593,278 S \* 6/2009 Kimm ..... D2/622  
D616,626 S \* 6/2010 Gardella ..... D2/622  
8,062,087 B1 11/2011 Davis et al.  
D697,274 S 1/2014 Thorne  
D709,666 S \* 7/2014 Willows ..... D2/622  
D712,120 S \* 9/2014 Willows ..... D2/622  
D713,968 S \* 9/2014 Hyslop ..... D24/194  
D743,142 S \* 11/2015 Munson ..... D2/622  
D746,020 S \* 12/2015 Puma ..... D2/622  
D756,595 S \* 5/2016 Leggett ..... D2/622  
10,058,486 B2 \* 8/2018 Steward ..... A61J 17/02  
2003/0200593 A1 \* 10/2003 Chou ..... A41D 13/1236  
2/161.7  
2005/0222621 A1 10/2005 Duwelius et al.  
2006/0004412 A1 1/2006 Gilbert, Jr.  
2006/0041275 A1 2/2006 Powers

2006/0168765 A1 8/2006 Beatty  
2007/0288056 A1 12/2007 Goldwire  
2009/0013449 A1 1/2009 Kahn  
2009/0163952 A1 6/2009 Kash  
2009/0260638 A1 \* 10/2009 Duplessie ..... A41D 19/01  
128/879  
2010/0304636 A1 12/2010 Seiz  
2012/0259362 A1 10/2012 Weinland et al.  
2012/0260447 A1 \* 10/2012 Klingbeil ..... A47L 13/18  
15/227  
2013/0085530 A1 4/2013 Caputo  
2013/0089276 A1 4/2013 Noble  
2013/0185842 A1 \* 7/2013 Bonner ..... A41D 19/01  
2/158  
2013/0245687 A1 9/2013 Bachmann  
2013/0304121 A1 11/2013 Hakim  
2014/0207187 A1 1/2014 Kiraly  
2015/0004872 A1 1/2015 Taylor  
2016/0302498 A1 \* 10/2016 Kreft ..... A41D 19/002  
2017/0013898 A1 \* 1/2017 Lewis ..... A41D 19/01582  
2018/0228230 A1 \* 8/2018 Bethel ..... A41D 19/0157

FOREIGN PATENT DOCUMENTS

CA 174020 \* 8/2018  
CA 178199 \* 8/2018  
CA 180253 \* 8/2018  
GB 2417426 A 3/2006  
JP 2006291433 A 10/2006

OTHER PUBLICATIONS

Mitteez, posted at [gofundme.com](https://www.gofundme.com/mitteez-the-ultimate-baby-idea), posting date Mar. 13, 2017, [online], [site visited Sep. 7, 2018]. Available from Internet, URL: <https://www.gofundme.com/mitteez-the-ultimate-baby-idea> (Year: 2017).\*

Mitteez, posted at [mitteez.com](https://mitteez.com/introducing-mitteez-safe-teething-relief-whole-family/), posting date not given, [online], [site visited Sep. 7, 2018]. Available from Internet, URL: <https://mitteez.com/introducing-mitteez-safe-teething-relief-whole-family/> (Year: 2018).\*

Munch Mitt Teething Mitten, posted at [amazon.com](https://www.amazon.com/Munch-Mitt-Teething-Teether-Self-Soothing/dp/B00X69WL3G), posting date by May 25, 2015, [online], [site visited Sep. 7, 2018]. Available from Internet, URL: <https://www.amazon.com/Munch-Mitt-Teething-Teether-Self-Soothing/dp/B00X69WL3G> (Year: 2015).\*

\* cited by examiner

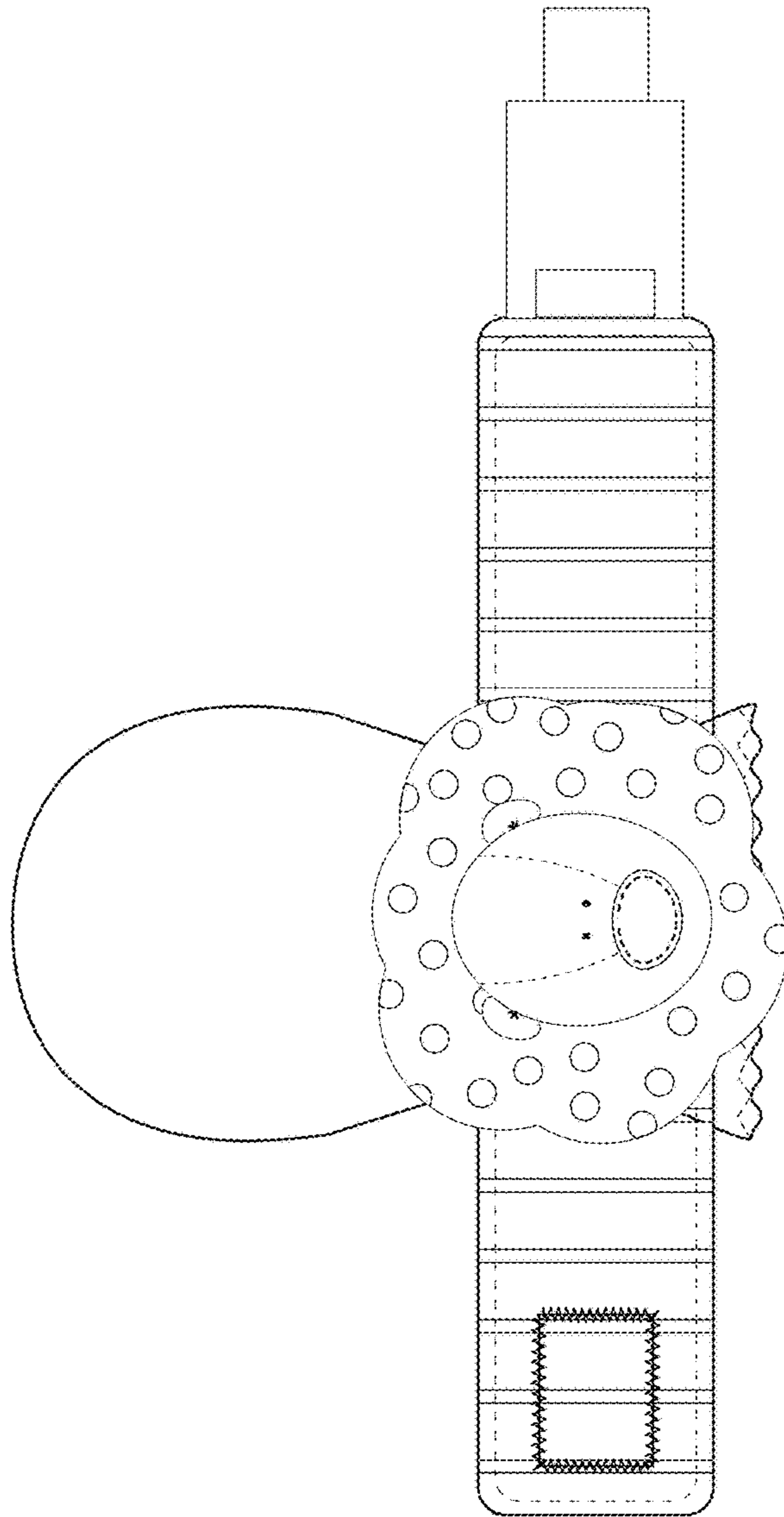


Figure 1

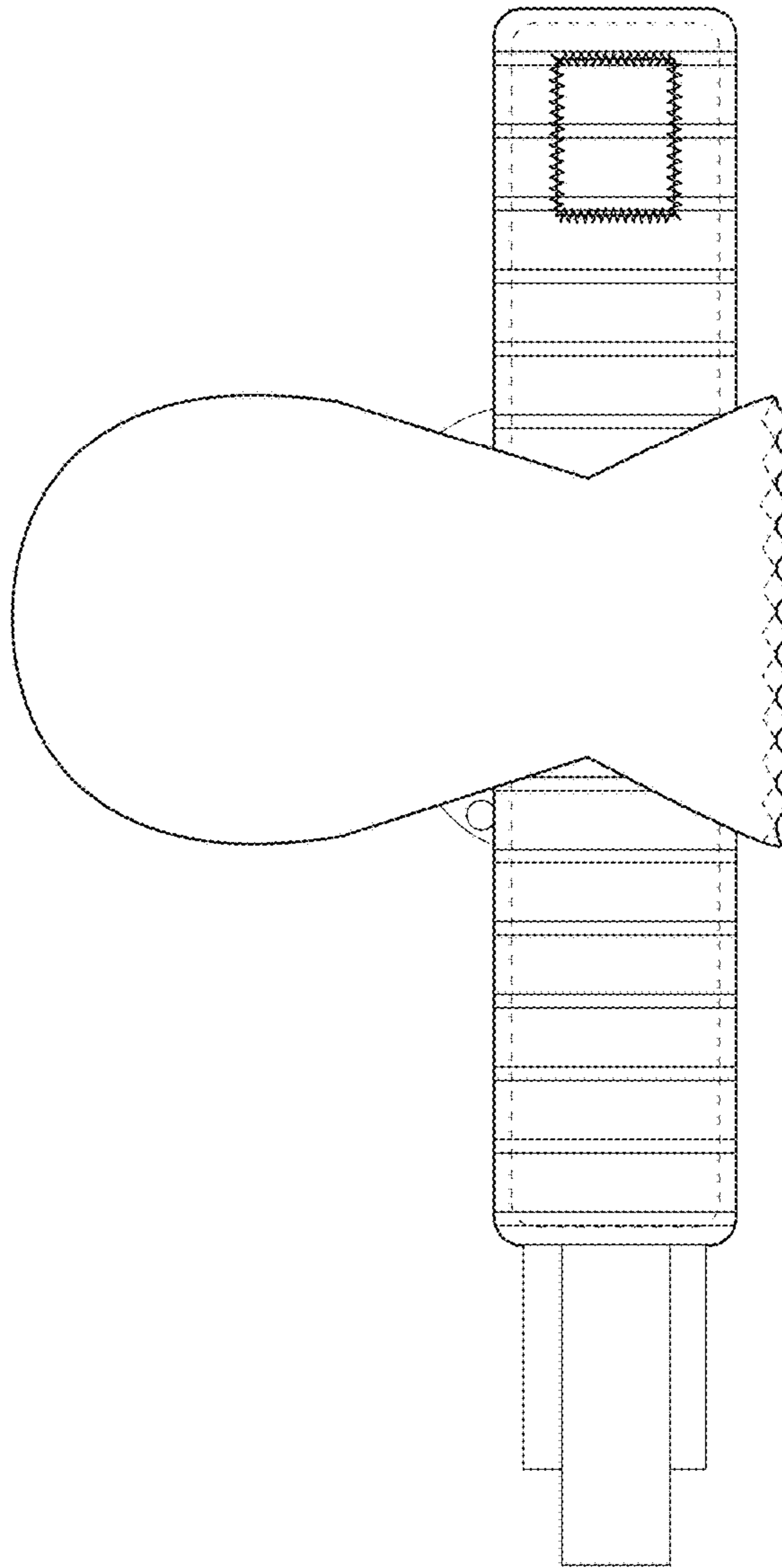


Figure 2

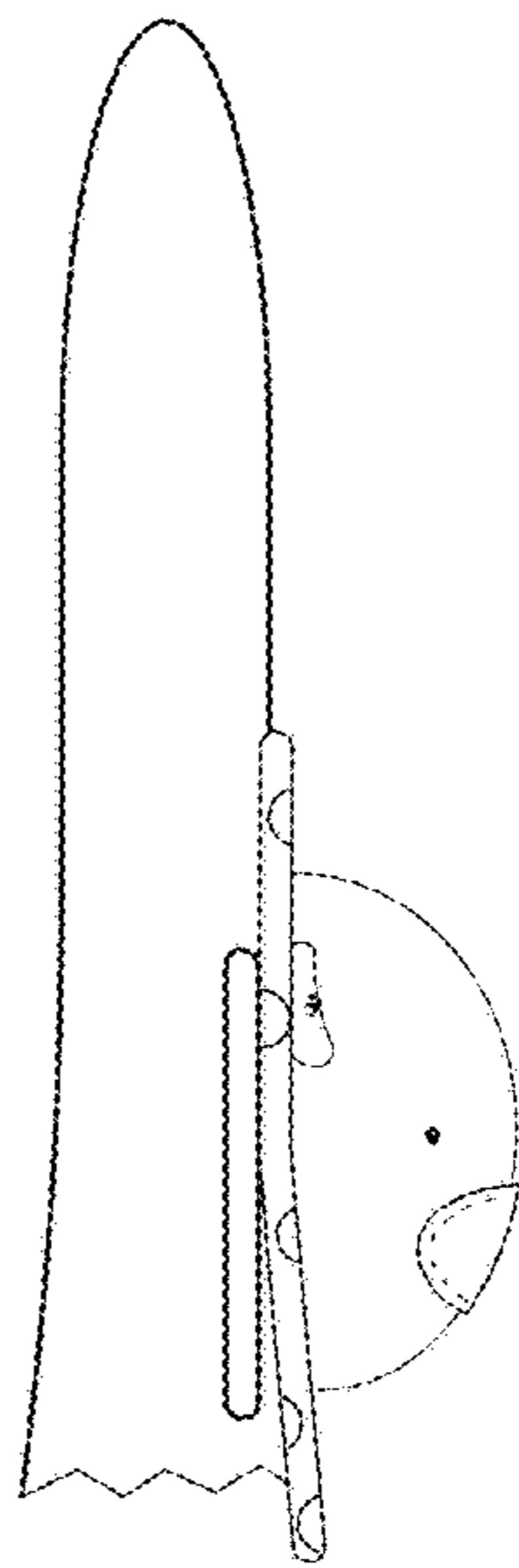


Figure 3

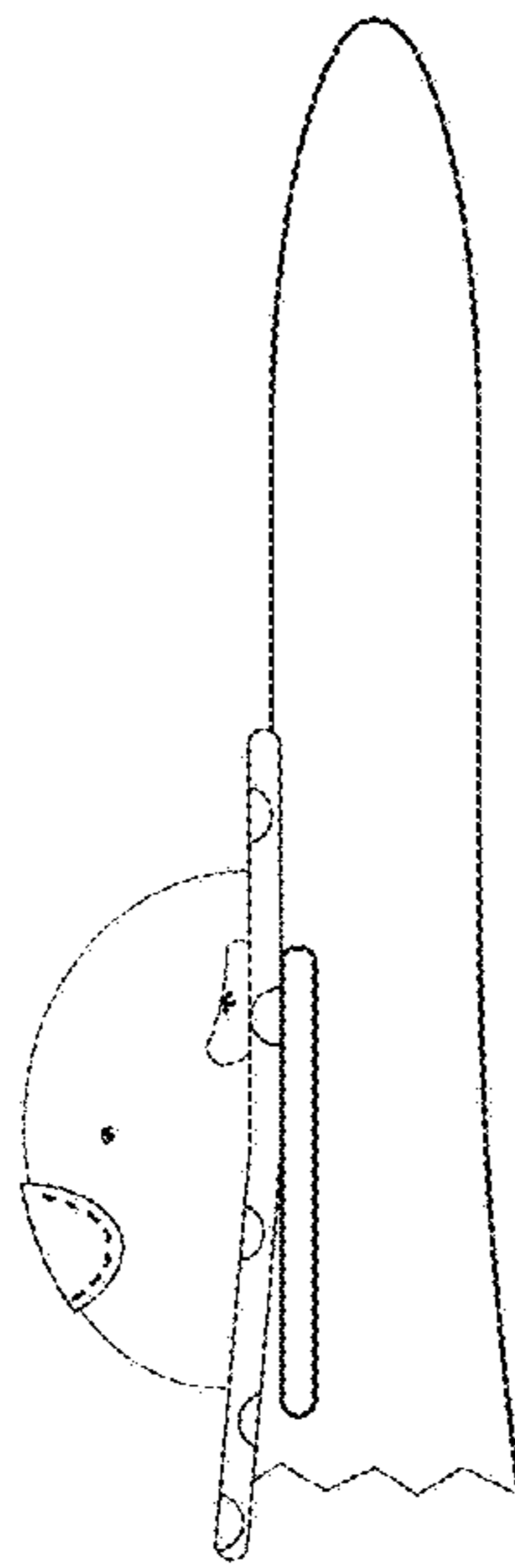


Figure 4

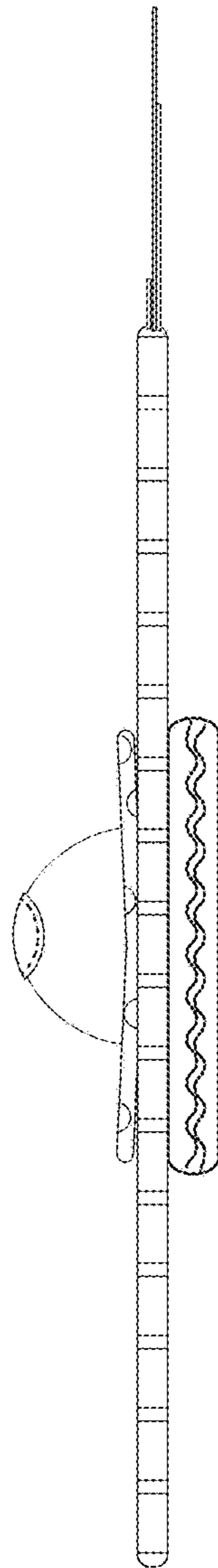


Figure 5

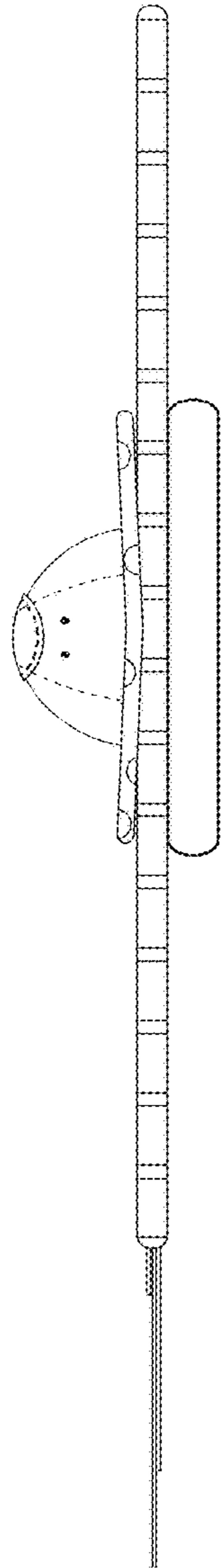


Figure 6