



US00D840633S

(12) **United States Design Patent** (10) **Patent No.:** **US D840,633 S**
Katopis (45) **Date of Patent:** **** Feb. 19, 2019**

(54) **GLOVE PORTION WITH INTERFACE ADAPTED TO RECEIVE A DEVICE**

(71) Applicant: **Chris J. Katopis**, Washington, DC (US)

(72) Inventor: **Chris J. Katopis**, Washington, DC (US)

(**) Term: **15 Years**

(21) Appl. No.: **29/528,023**

(22) Filed: **May 25, 2015**

(51) **LOC (11) Cl.** **02-06**

(52) **U.S. Cl.**
USPC **D2/617**

(58) **Field of Classification Search**
USPC 455/575.1; 368/10; D2/616, 617-619;
D21/316, 320; D29/123

CPC . A61B 5/02; G06F 3/02; G06F 3/0236; G06F 3/014

See application file for complete search history.

(56) **References Cited**

U.S. PATENT DOCUMENTS

773,794	A *	11/1904	Huxley	D67D 7/38 137/178
D303,167	S *	8/1989	Giambazi	D2/618
5,444,462	A *	8/1995	Wambach	G06F 3/014 345/158
D364,860	S	12/1995	Giebler et al.		
5,514,861	A *	5/1996	Swartz	G06F 1/163 235/462.44
6,098,886	A *	8/2000	Swift	G06K 7/10891 235/462.44
6,262,355	B1 *	7/2001	Koch	G10H 1/34 84/600
6,304,840	B1 *	10/2001	Vance	G06F 3/014 341/20
6,420,640	B2 *	7/2002	Koch	G10H 1/34 84/600
6,870,526	B2 *	3/2005	Zngf	G06F 3/014 345/156

(Continued)

OTHER PUBLICATIONS

Glove Portion with Interface Adapted to Receive a Device | Keyglove | <http://www.aec.at/aeblog/en/2013/02/08/keyglove/>. *
Glove Portion with Interface Adapted to Receive a Device | Wearable computer | <https://hackaday.io/project/5610-wearable-computer-rig-powerglove-mouse>. *

(Continued)

Primary Examiner — Daniel Bui

Assistant Examiner — Andrew Kerr

(74) *Attorney, Agent, or Firm* — Chris J. Katopis

(57) **CLAIM**

The ornamental design for a glove portion with interface adapted to receive a device, as shown and described.

DESCRIPTION

FIG. 1 is a front perspective view of a glove portion with interface adapted to receive a device, in a closed position showing my new design;

FIG. 2 is a front perspective view thereof, in an open position;

FIG. 3 is a front elevation view thereof;

FIG. 4 is a rear elevation view thereof;

FIG. 5 in a right side elevation view thereof;

FIG. 6 is a left side elevation view thereof;

FIG. 7 is a top plan view thereof;

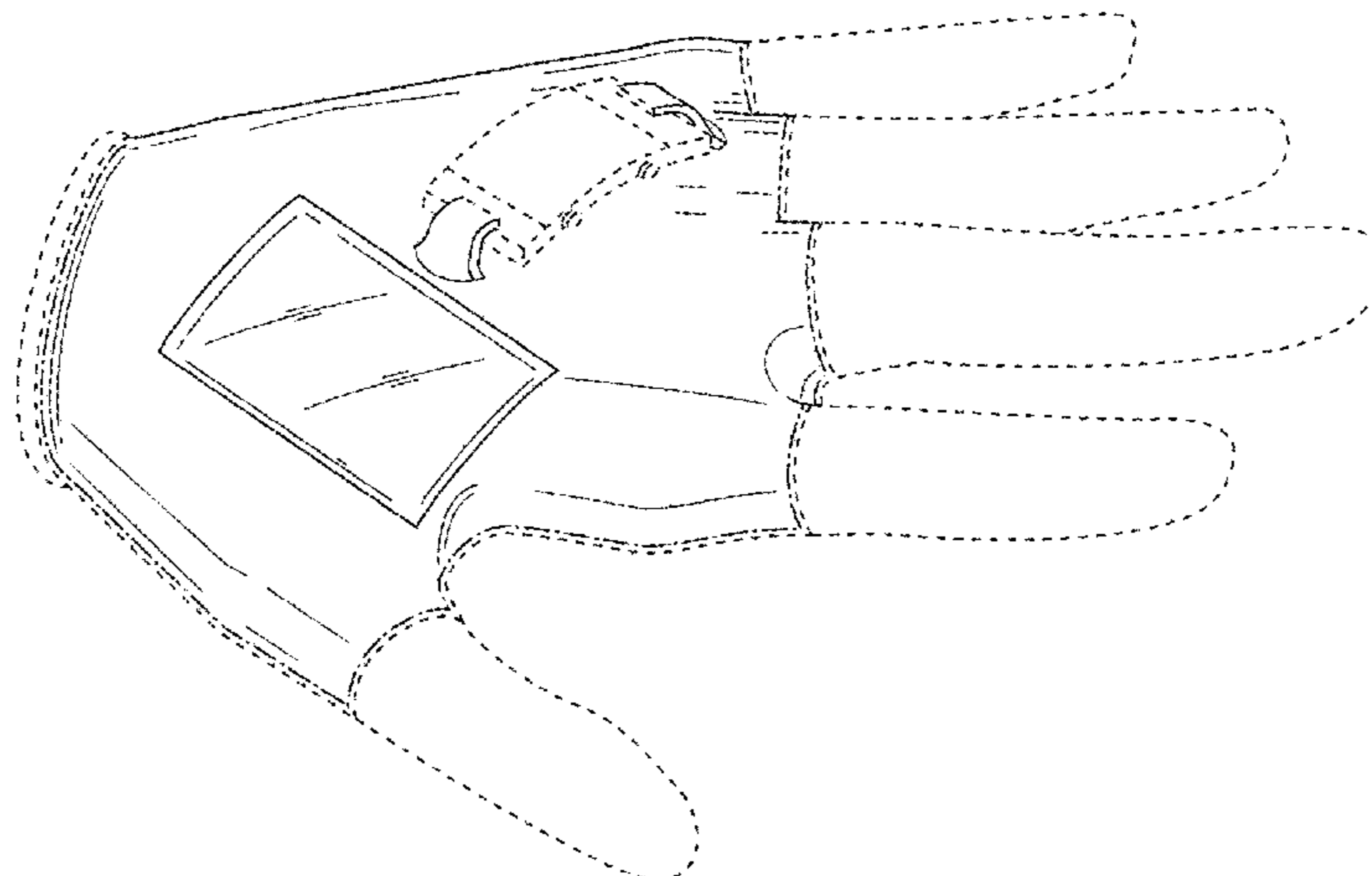
FIG. 8 is a bottom plan view thereof;

FIG. 9 is a front perspective view thereof, in an open and use position; and,

FIG. 10 is a front perspective view thereof, in another open and use position.

The broken lines in the drawing views are included for the purpose of illustrating unclaimed environment only, and forms no part of the claimed design. The dash-dot broken lines in the drawing views define the bounds of the claimed design and form no part thereof.

1 Claim, 8 Drawing Sheets



(56)

References Cited

U.S. PATENT DOCUMENTS

D504,889 S 5/2005 Andre et al.
 7,057,804 B2* 6/2006 Tada G02B 13/143
 359/356
 D591,003 S * 4/2009 Bonzagni D29/123
 D593,087 S 5/2009 Andre et al.
 D618,677 S 6/2010 Andre et al.
 7,737,942 B2 6/2010 Bajramovic
 D650,374 S 12/2011 Townsend
 D663,742 S 7/2012 Tanghe et al.
 D664,525 S 7/2012 Townsend
 D665,394 S 8/2012 Duggan et al.
 D667,196 S * 9/2012 Jones D2/614
 D676,030 S 2/2013 Townsend
 D685,816 S 7/2013 Nanda Gilani et al.
 8,482,412 B2* 7/2013 Majoros G06K 7/0008
 340/10.1
 D690,314 S 9/2013 Nanda Gillani et al.
 D690,722 S 10/2013 Nanda Gilani et al.
 D690,723 S 10/2013 Steele et al.
 D701,350 S * 3/2014 Voravan 2/619
 D701,351 S * 3/2014 Voravan D2/619
 8,708,918 B1* 4/2014 Rulkov A61B 5/02055
 600/300
 D709,909 S 7/2014 Pasquero et al.
 D709,910 S 7/2014 Pasquero et al.
 D729,794 S 5/2015 Lee et al.
 D754,403 S * 4/2016 Roberts D2/619
 D759,318 S * 6/2016 Wyatt D29/117.1
 2015/0237181 A1* 8/2015 Khan H04M 1/0202
 455/556.1
 2015/0253847 A1* 9/2015 Harris G06F 3/017
 345/156

OTHER PUBLICATIONS

Glove Portion with Interface Adapted to Receive a Device | Sign language glove | https://people.ece.cornell.edu/land/courses/ece4760/FinalProjects/f2014/rdv28_mjl256/webpage/.*

Glove Portion with Interface Adapted to Receive a Device | Screen on glove | <http://www.dezeen.com/2010/03/22/the-rock-paper-scissors-playing-g>.*

Glove Portion with Interface Adapted to Receive a Device | Smart glove | <http://www.soyacinau.com/2014/04/01/samsung-fingers-smart-glove-with-flexible-display/>.*

Glove Portion with Interface Adapted to Receive a Device | OLED Glove | <https://www.pinterest.com/pin/332140541241877237/>.*

Glove Portion with Interface Adapted to Receive a Device | GPS sports glove | <http://gizmodo.com/355178/vie-gps-sports-glove-does-it-all>.*

Glove Portion with Interface Adapted to Receive a Device | Cleaning Glove | <https://conceptcus.wordpress.com/2014/06/instant-cleaning-glove/>.*

Glove Portion with Interface Adapted to Receive a Device | Senso Glove—<https://conceptcus.wordpress.com/2014/11/06/instant-cleaning-glove/>.*

Glove Portion with Interface Adapted to Receive a Device | Glove One—<http://www.tuvie.com/will-you-use-glove-one-wearable-mobile-communication-device/>.*

U.S. Appl. No. 29/508,589, Katopis.
 U.S. Appl. No. 29/508,021, Katopis.
 U.S. Appl. No. 29/508,131, Katopis.
 U.S. Appl. No. 29/508,677, Katopis.
 U.S. Appl. No. 29/525,148, Katopis.
 U.S. Appl. No. 29/525,676, Katopis.
 U.S. Appl. No. 29/526,423, Katopis.
 U.S. Appl. No. 29/526,587, Katopis.

* cited by examiner

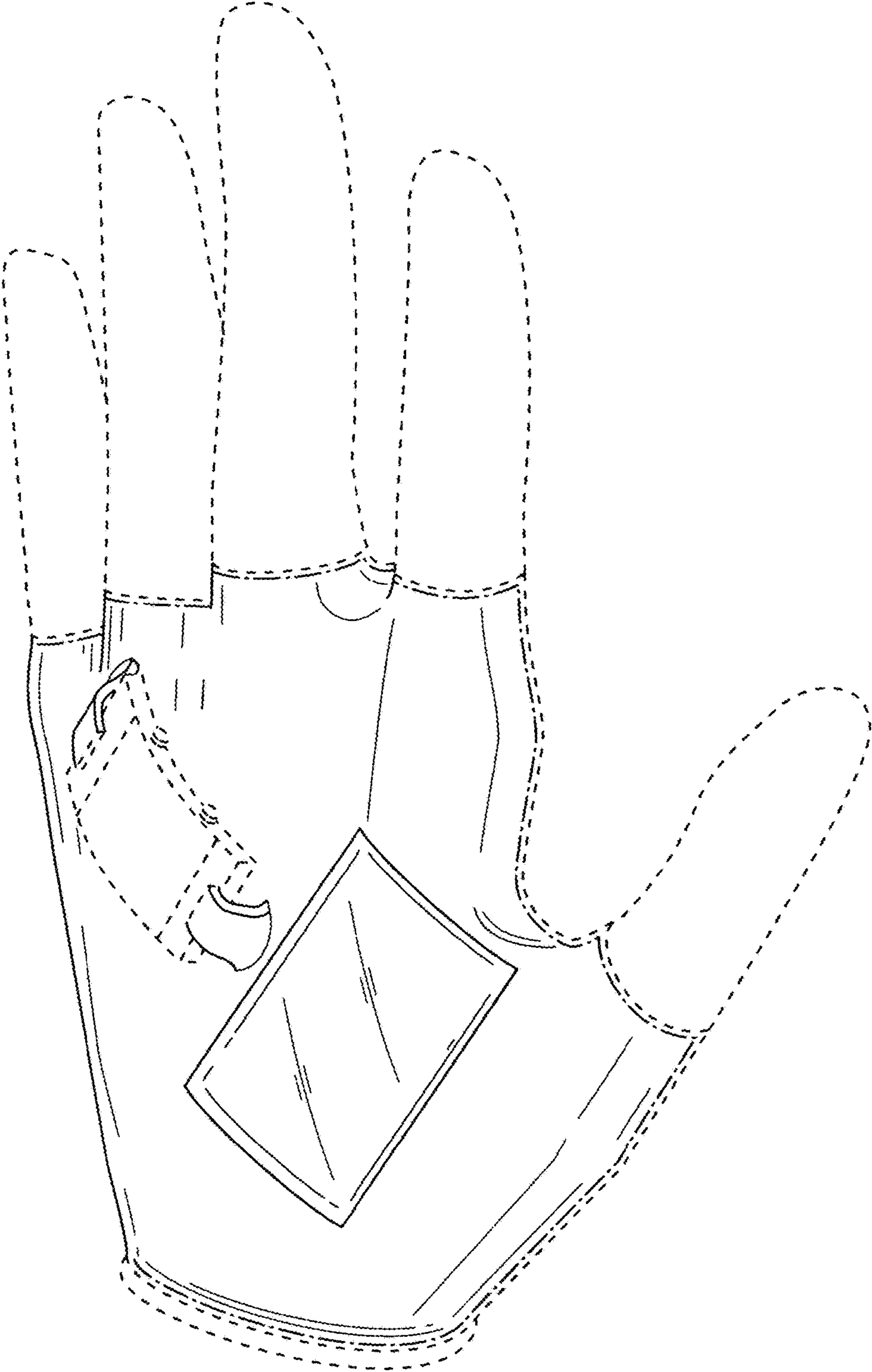


FIG. 1

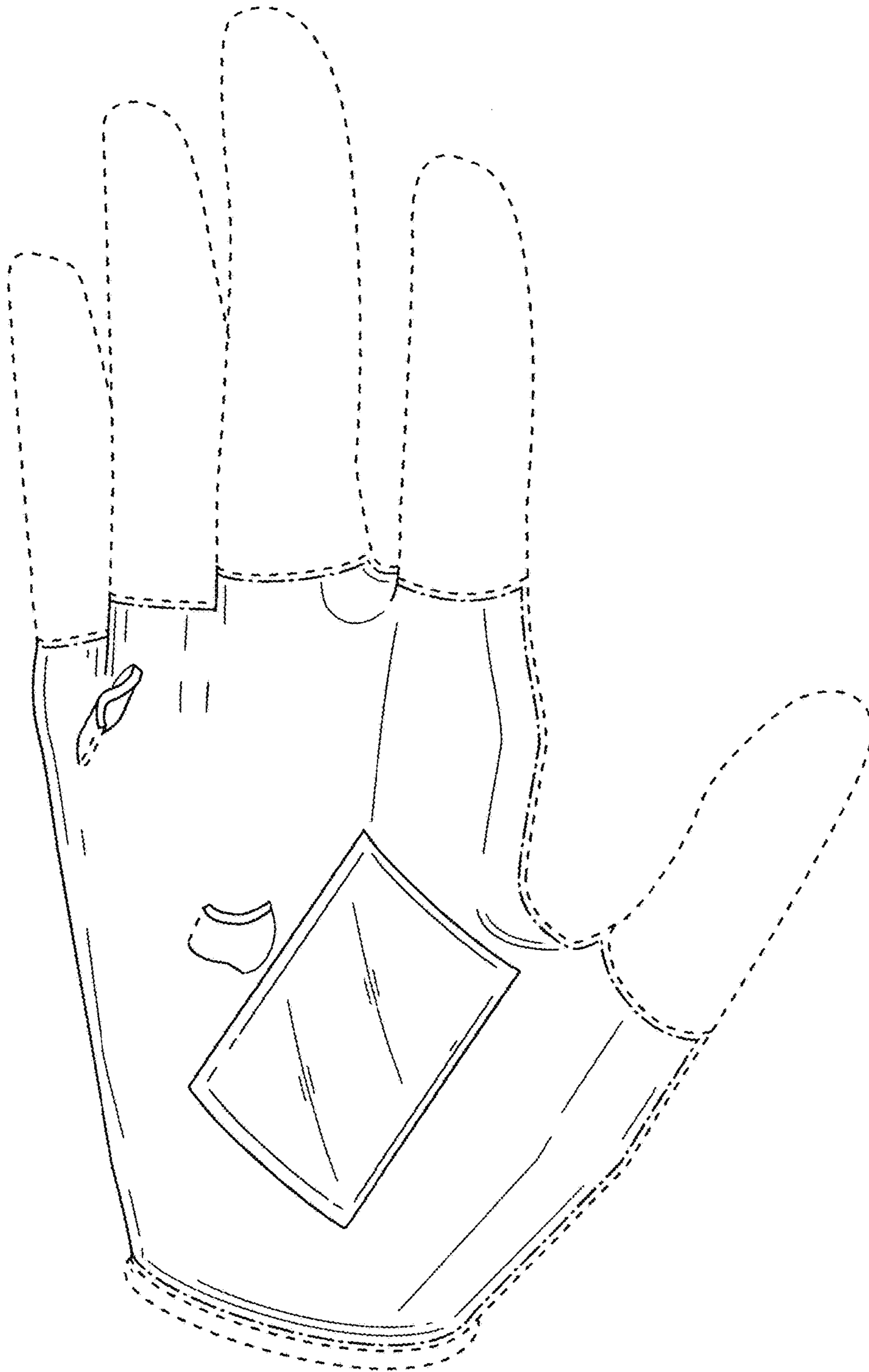


FIG. 2

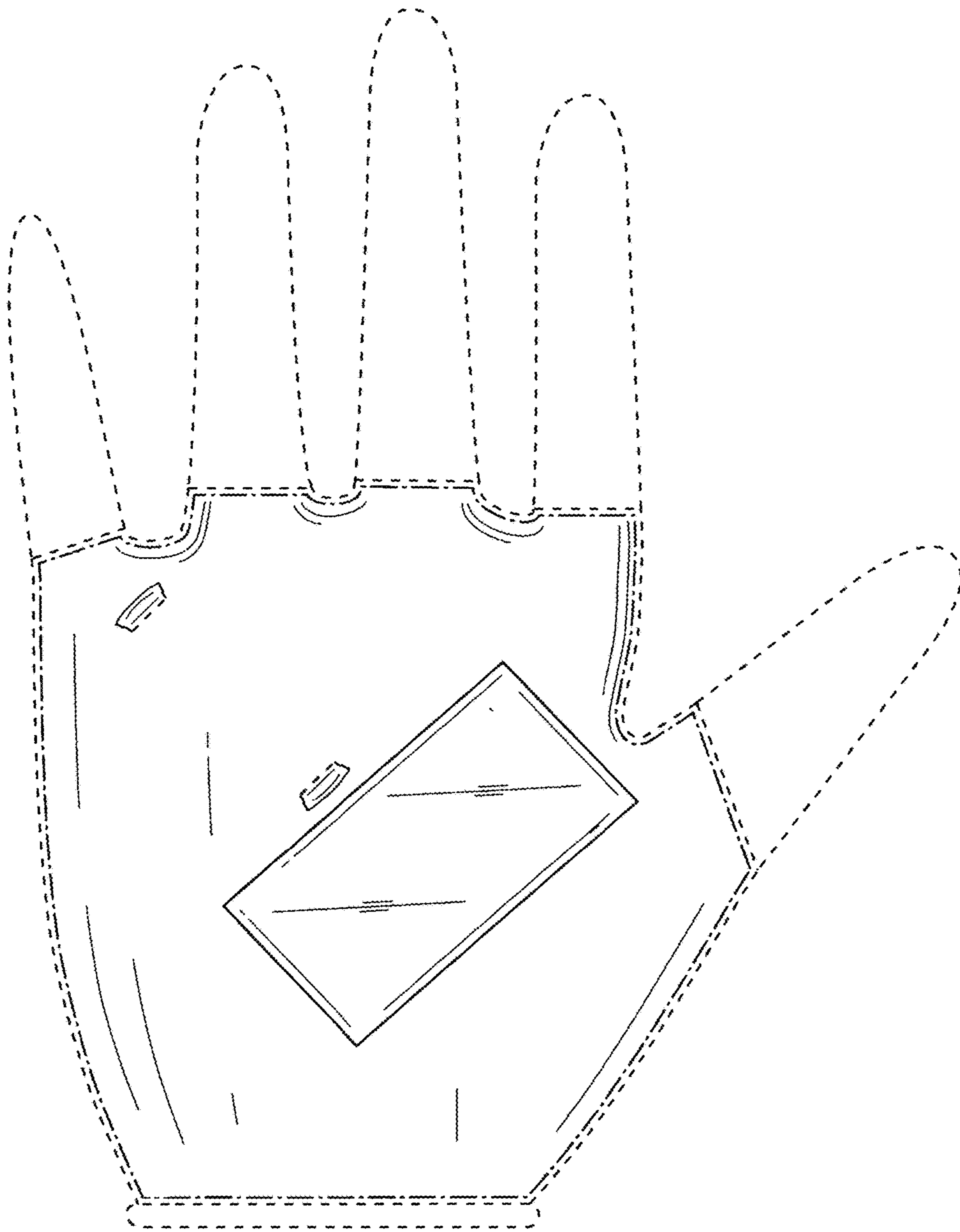


FIG. 3

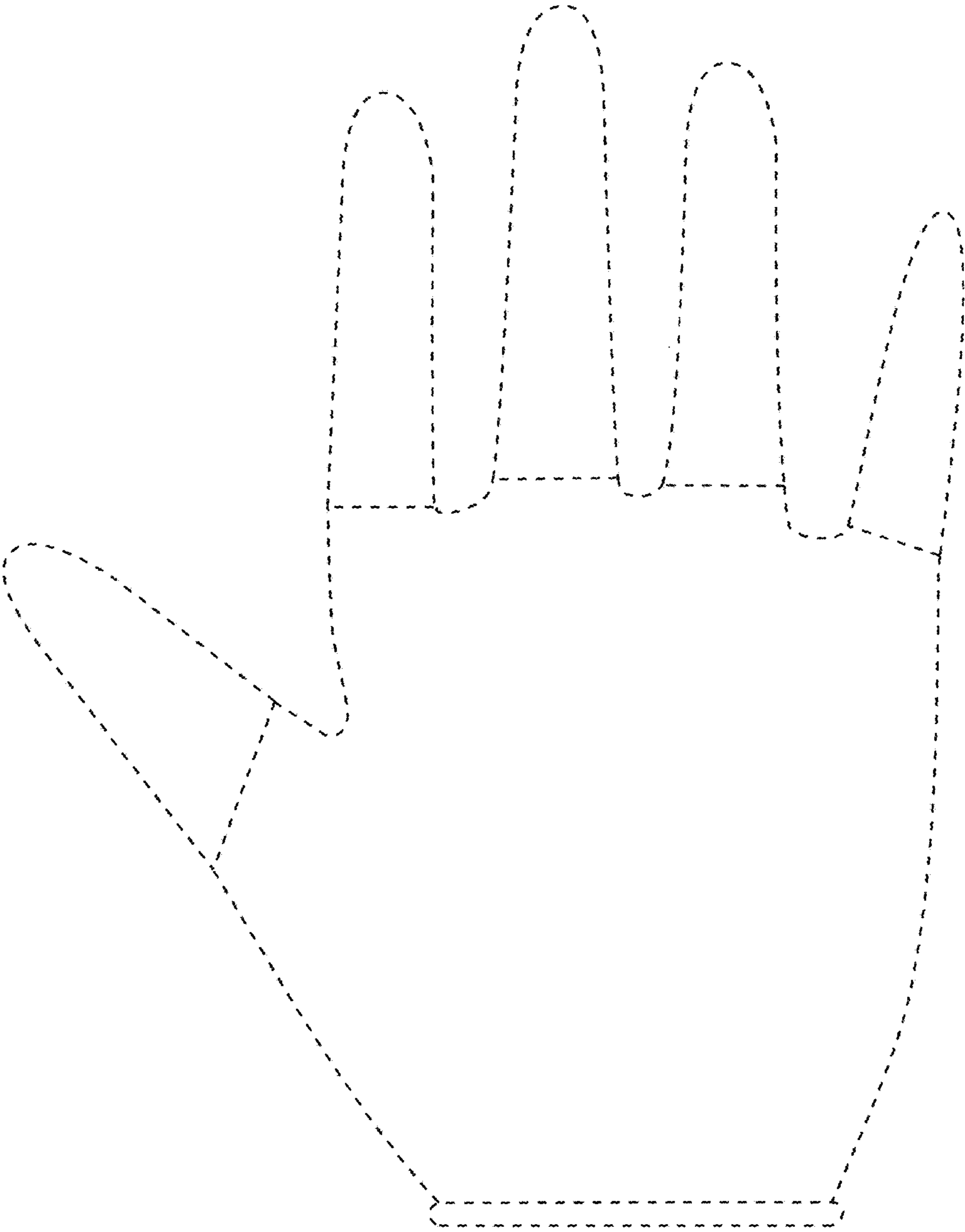


FIG. 4

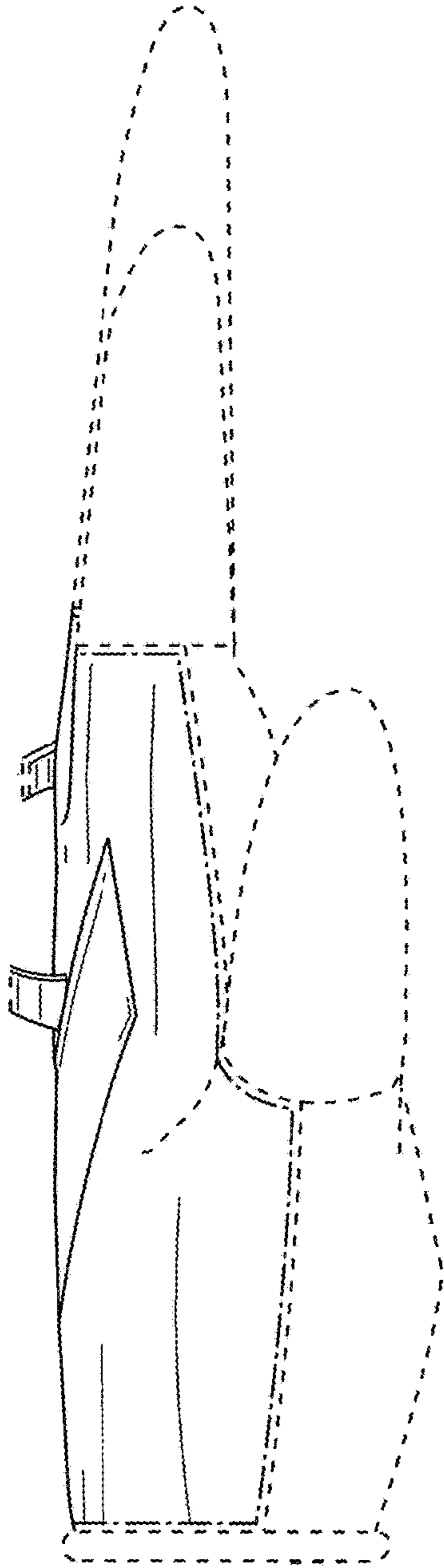


FIG. 5

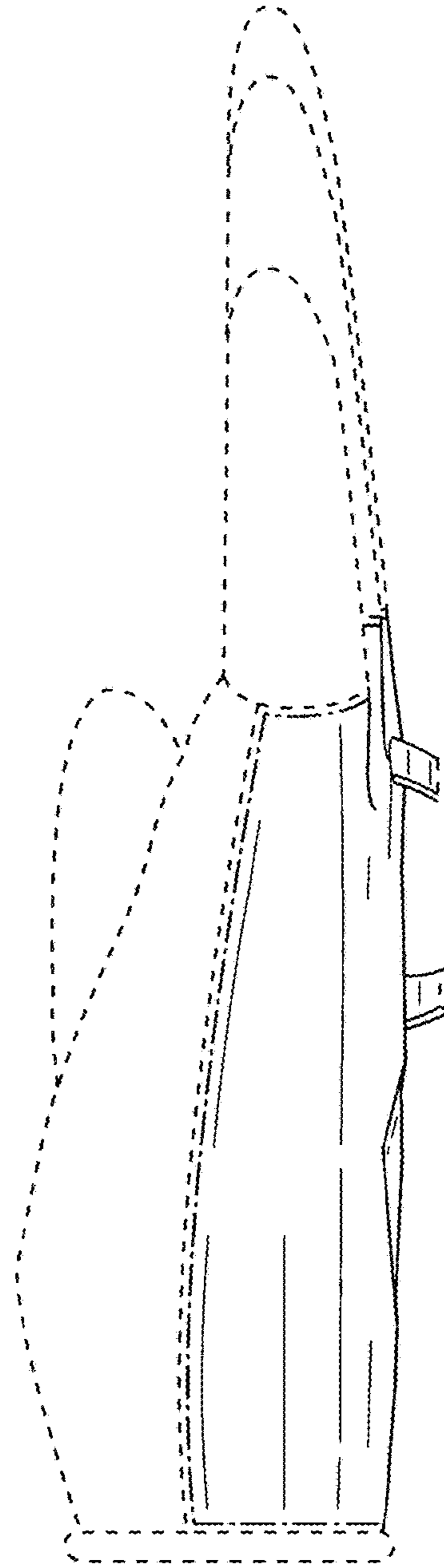


FIG. 6

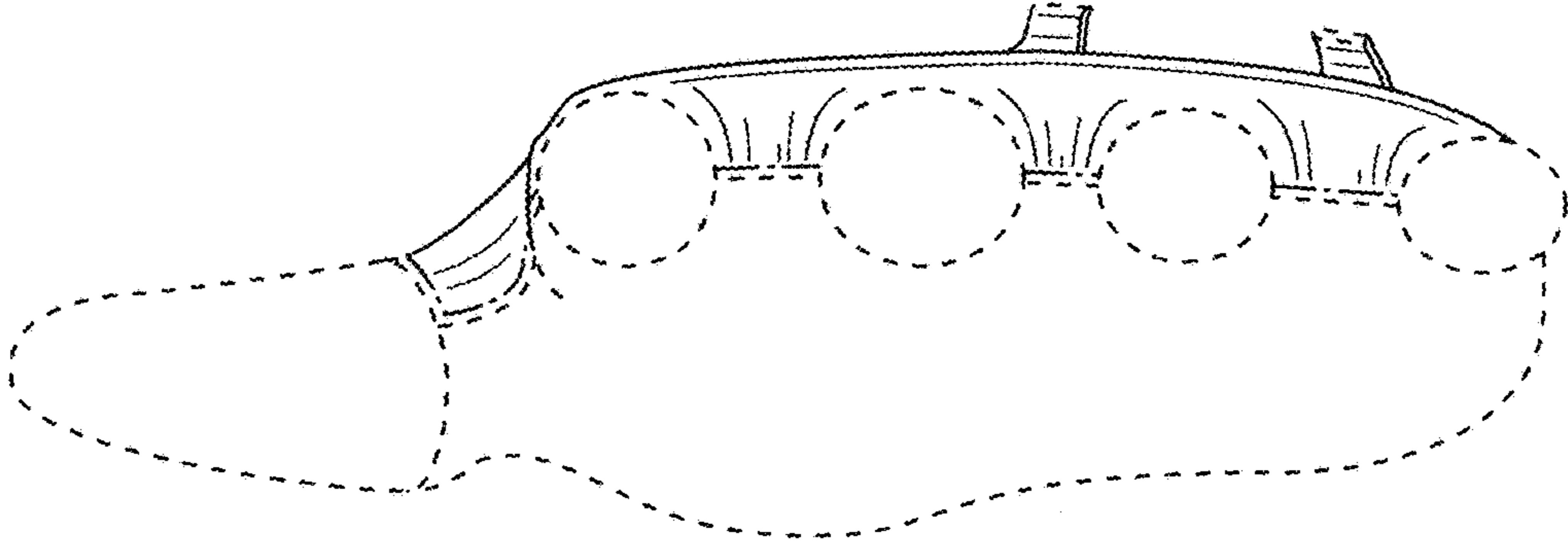


FIG. 7

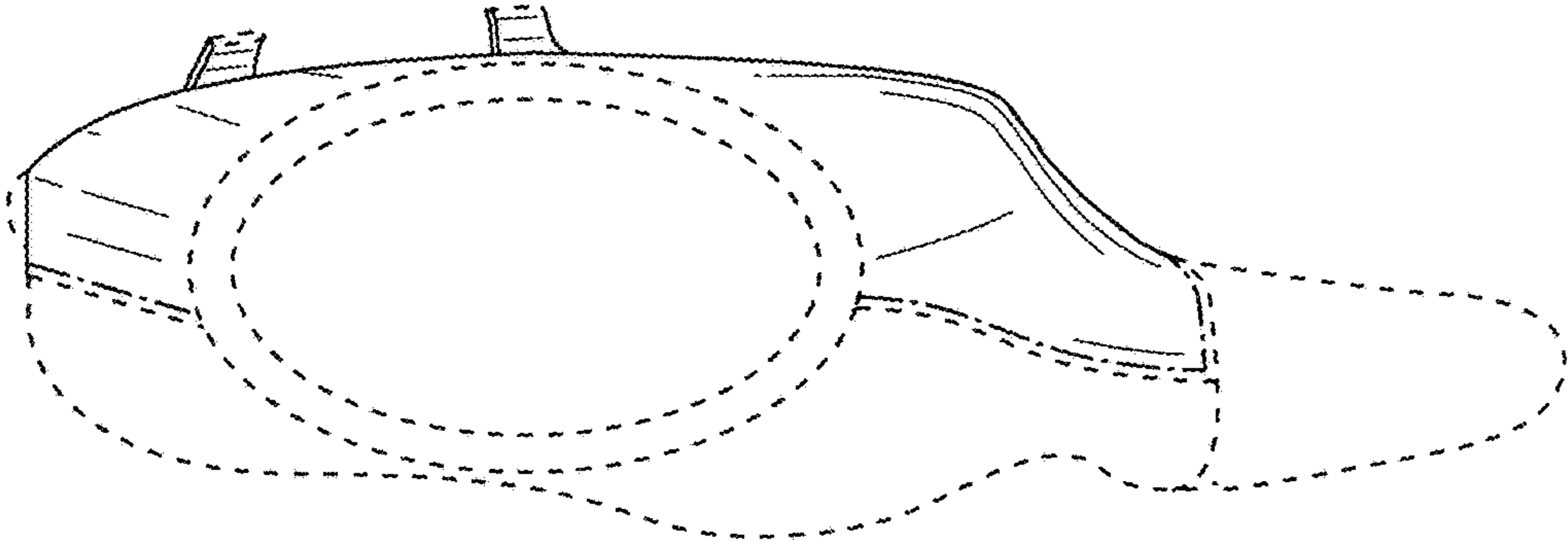


FIG. 8

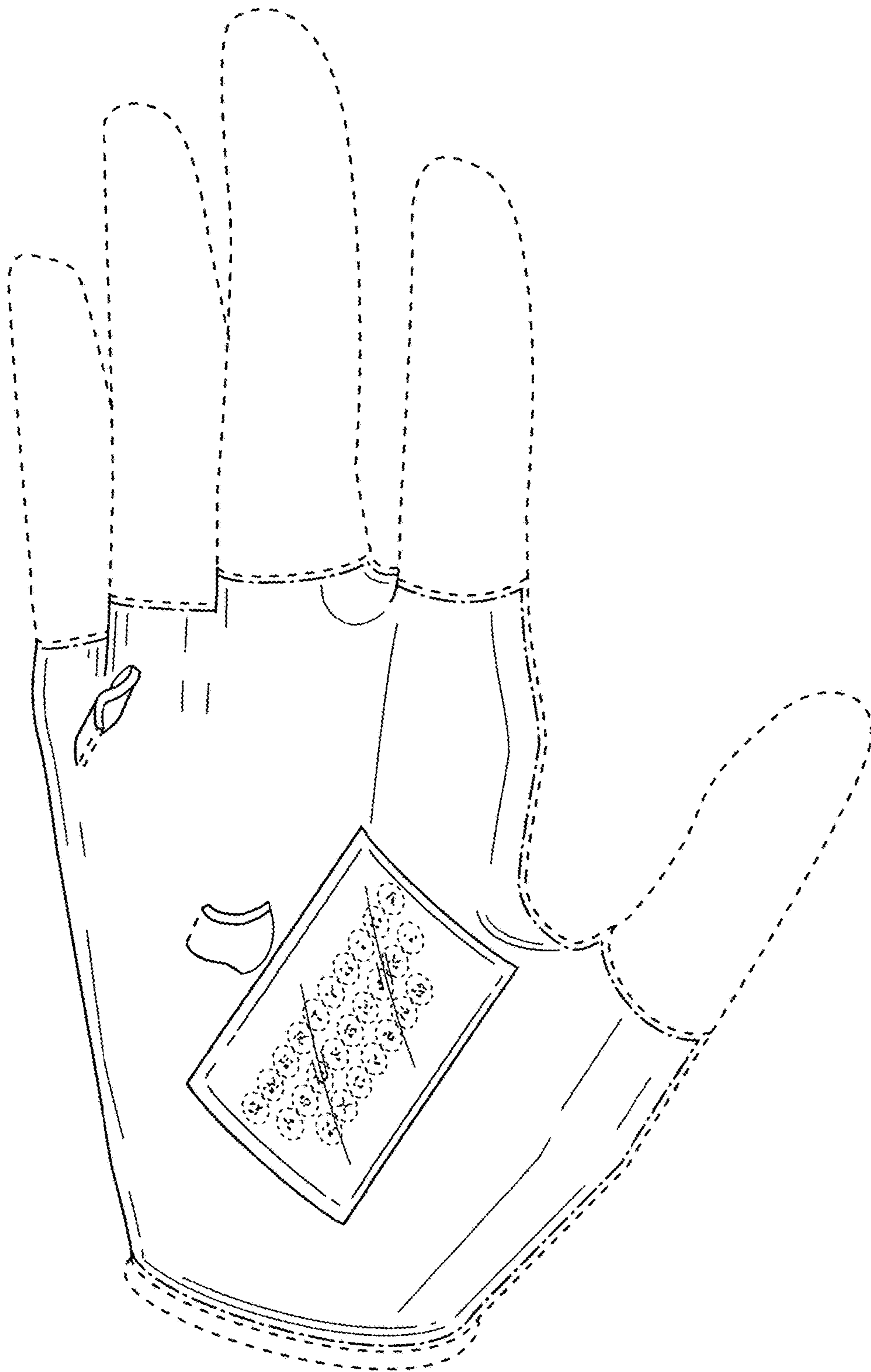


FIG. 9

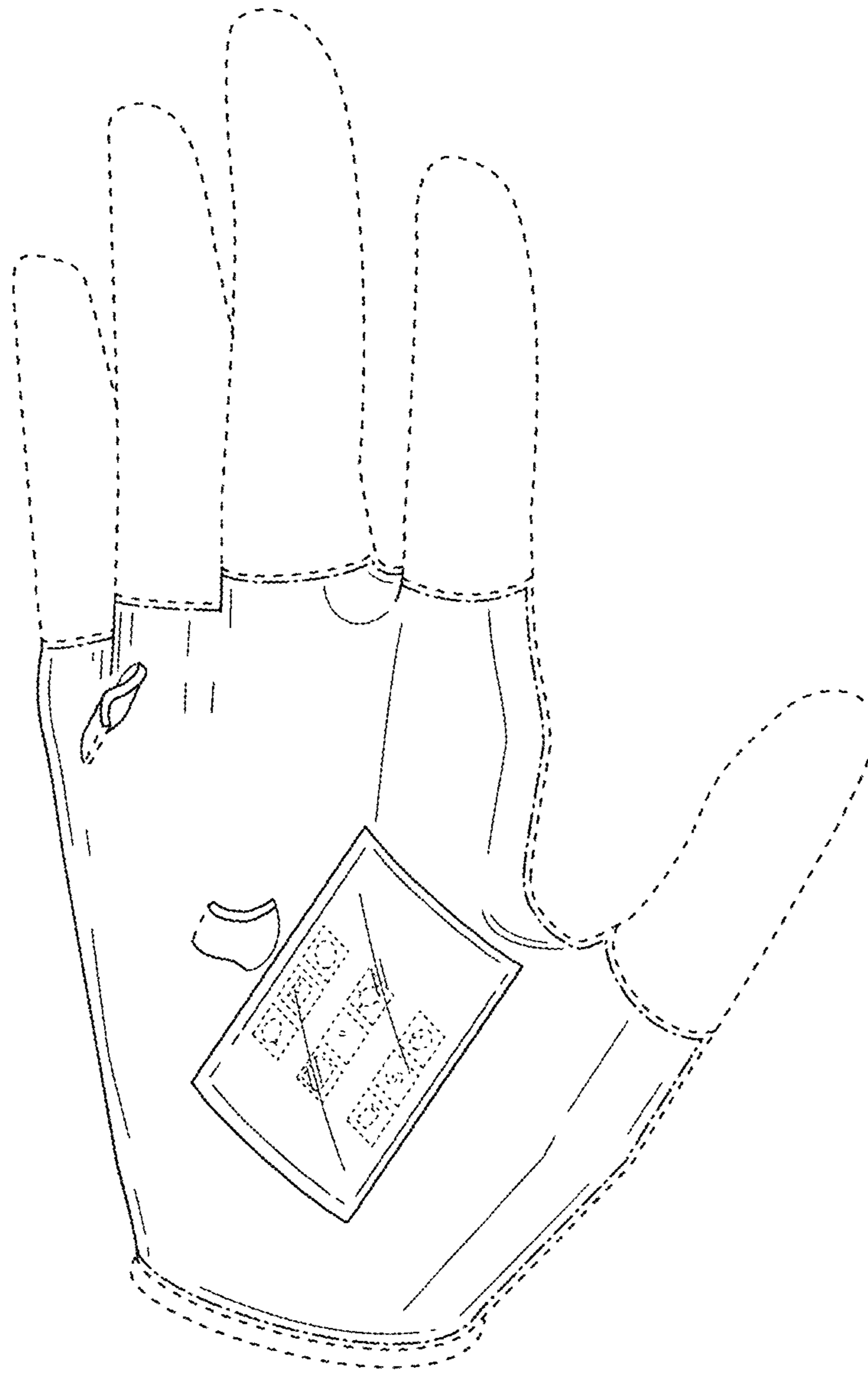


FIG. 10