

US00D840628S

(12) **United States Design Patent**
Chang

(10) **Patent No.:** **US D840,628 S**

(45) **Date of Patent:** **** Feb. 12, 2019**

(54) **GARBAGE CAN**

(71) Applicant: **Janibell, Inc.**, Rancho Cucamonga, CA
(US)

(72) Inventor: **Kwang-Ok Chang**, Seongnam-Si (KR)

(73) Assignee: **Janibell, Inc.**, Rancho Cucamonga, CA
(US)

(**) Term: **15 Years**

(21) Appl. No.: **29/604,182**

(22) Filed: **May 16, 2017**

(51) **LOC (11) Cl.** **09-09**

(52) **U.S. Cl.**
USPC **D34/9**

(58) **Field of Classification Search**
USPC D34/1-11; 220/262-264
CPC B65F 1/163; B65F 1/08; B65F 1/06; B65F
1/1607; B65F 1/14; B65F 1/1615; B65F
1/062; B65F 1/068
See application file for complete search history.

(56) **References Cited**

U.S. PATENT DOCUMENTS

D567,466 S * 4/2008 Lee D34/7
D567,467 S * 4/2008 Lee D34/7

D586,069 S * 2/2009 Lin D34/9
D629,172 S * 12/2010 Liao D34/7
D737,013 S * 8/2015 Beumer D34/7
D774,270 S * 12/2016 Chen D34/9
D803,505 S * 11/2017 Duvigneau D34/9
D819,292 S * 5/2018 Karatas D34/7

* cited by examiner

Primary Examiner — Cynthia Ramirez

(74) *Attorney, Agent, or Firm* — Larson & Larson, P.A.;
Frank Liebenow; Justin P. Miller

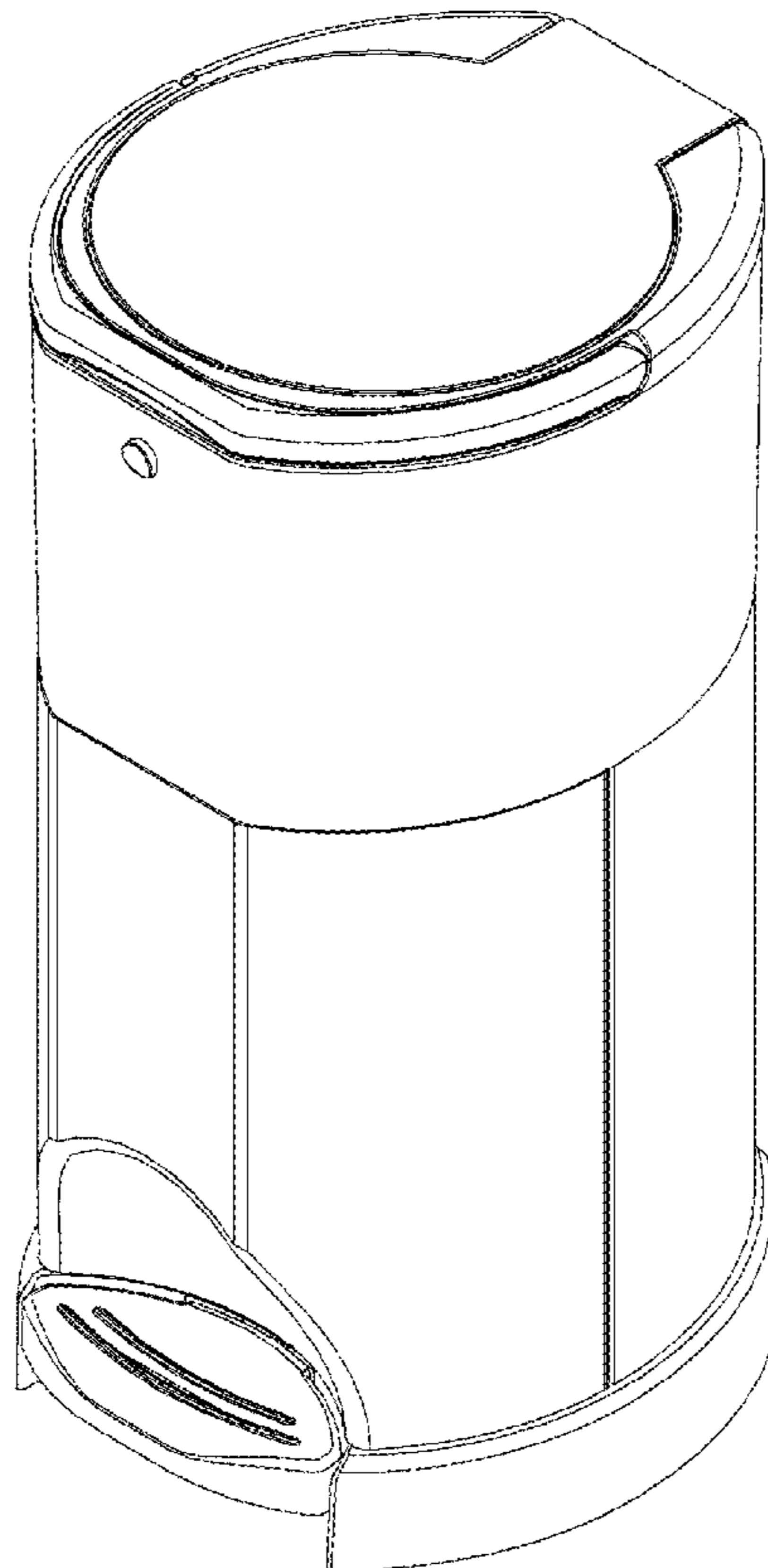
(57) **CLAIM**

The ornamental design for a garbage can, as shown and described.

DESCRIPTION

FIG. 1 is a perspective view of a garbage can showing my new design;
FIG. 2 is a front elevation view thereof;
FIG. 3 is a rear elevation view thereof;
FIG. 4 is a left side elevation view thereof;
FIG. 5 is a right side elevation view thereof;
FIG. 6 is a top plan view thereof; and,
FIG. 7 is a perspective view thereof showing the handle in an alternate position.
The bottom view forms no part of the design and is omitted.
The broken lines of portions of the garbage can of FIGS. 2 and 4 form no part of the claimed design.

1 Claim, 7 Drawing Sheets



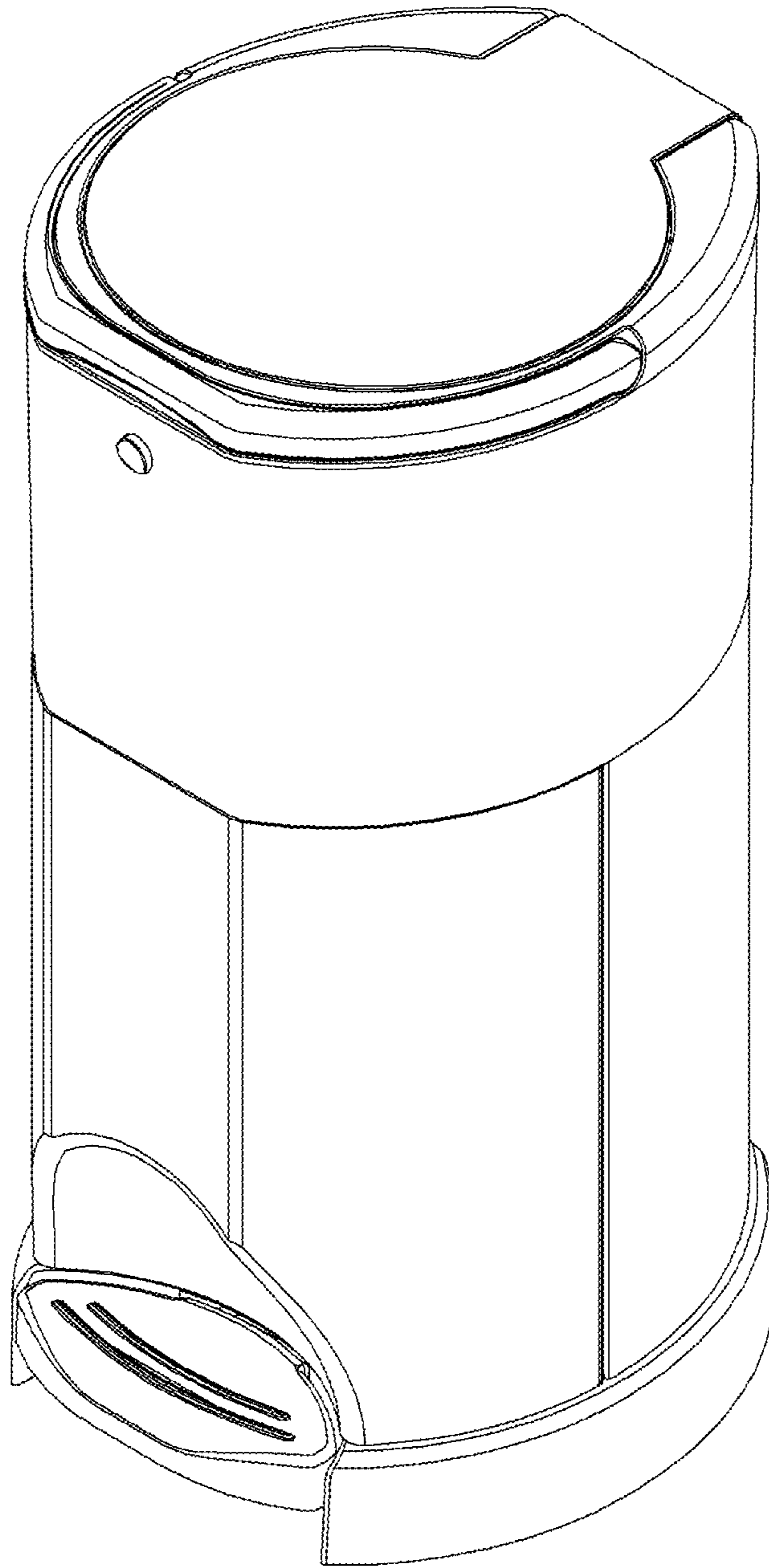


Fig. 1

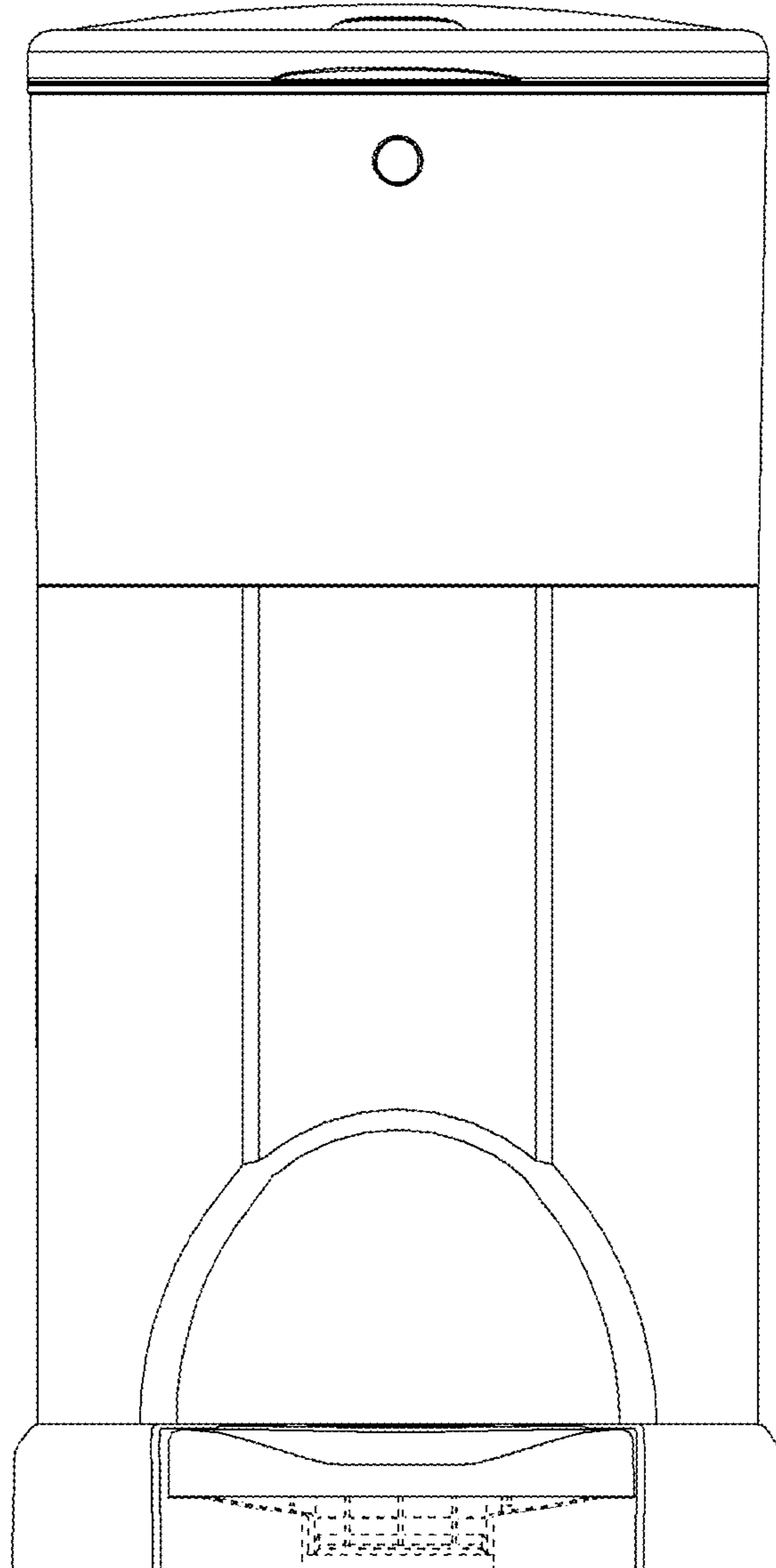


Fig. 2

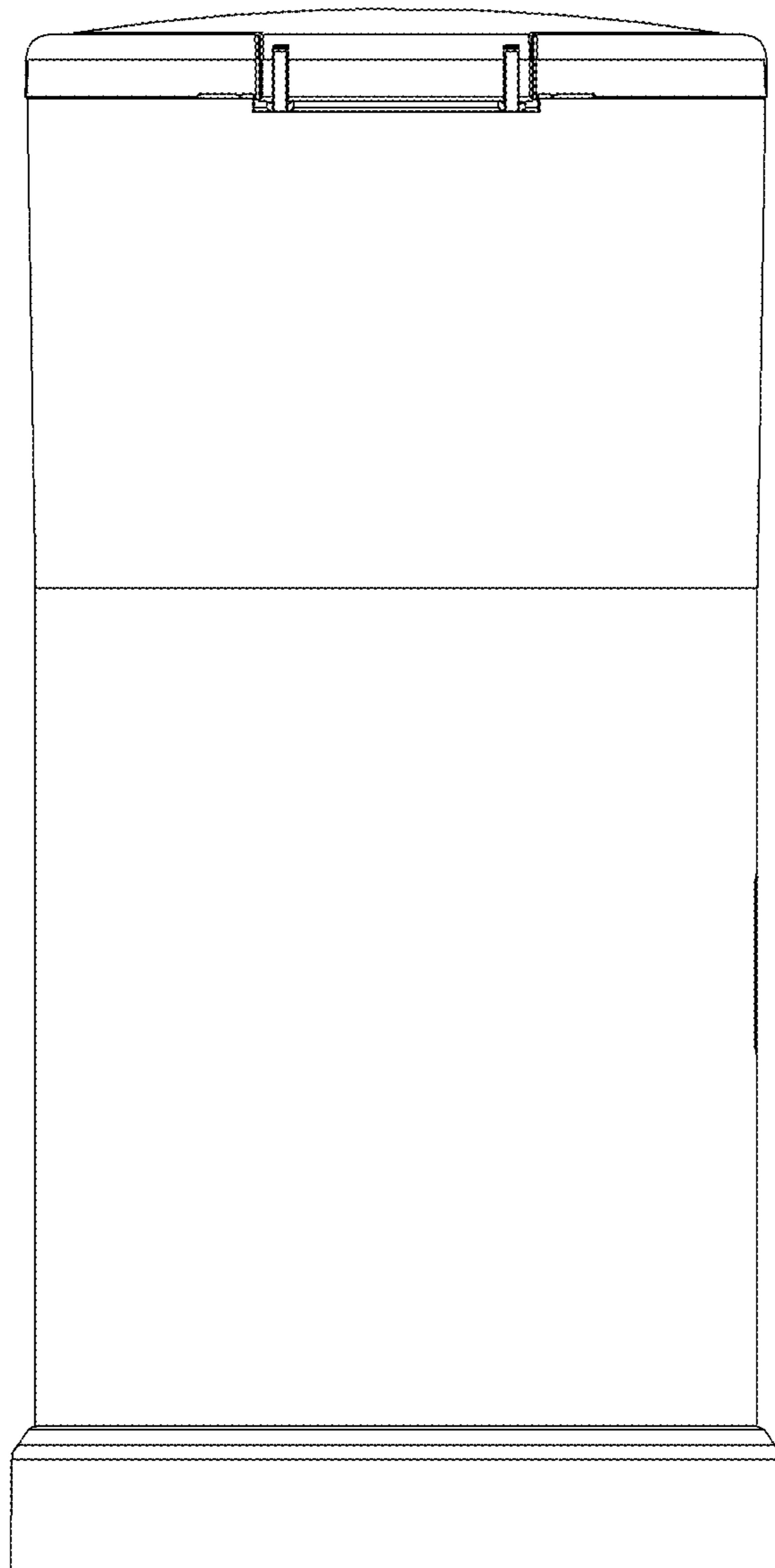


Fig. 3

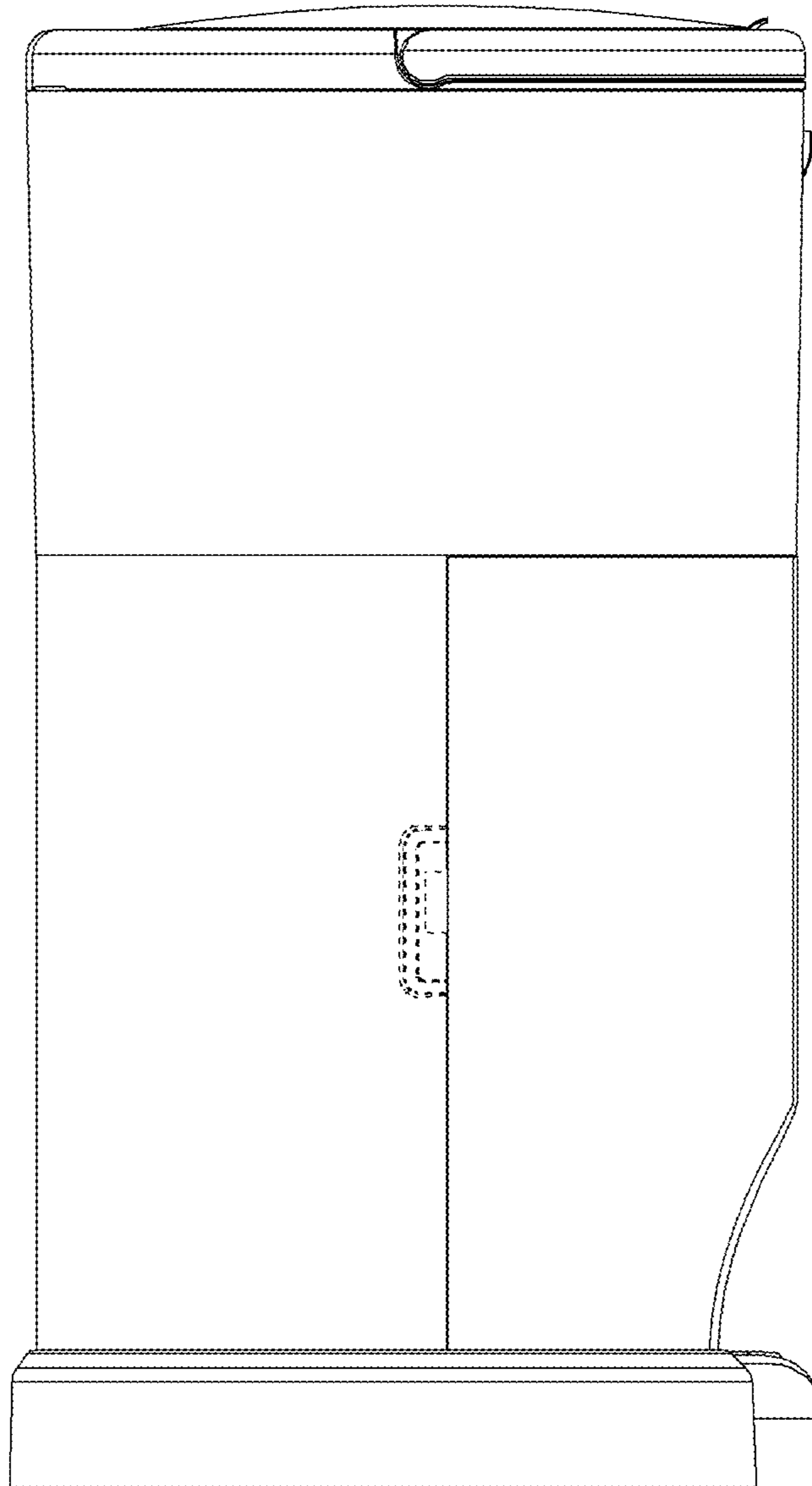


Fig. 4

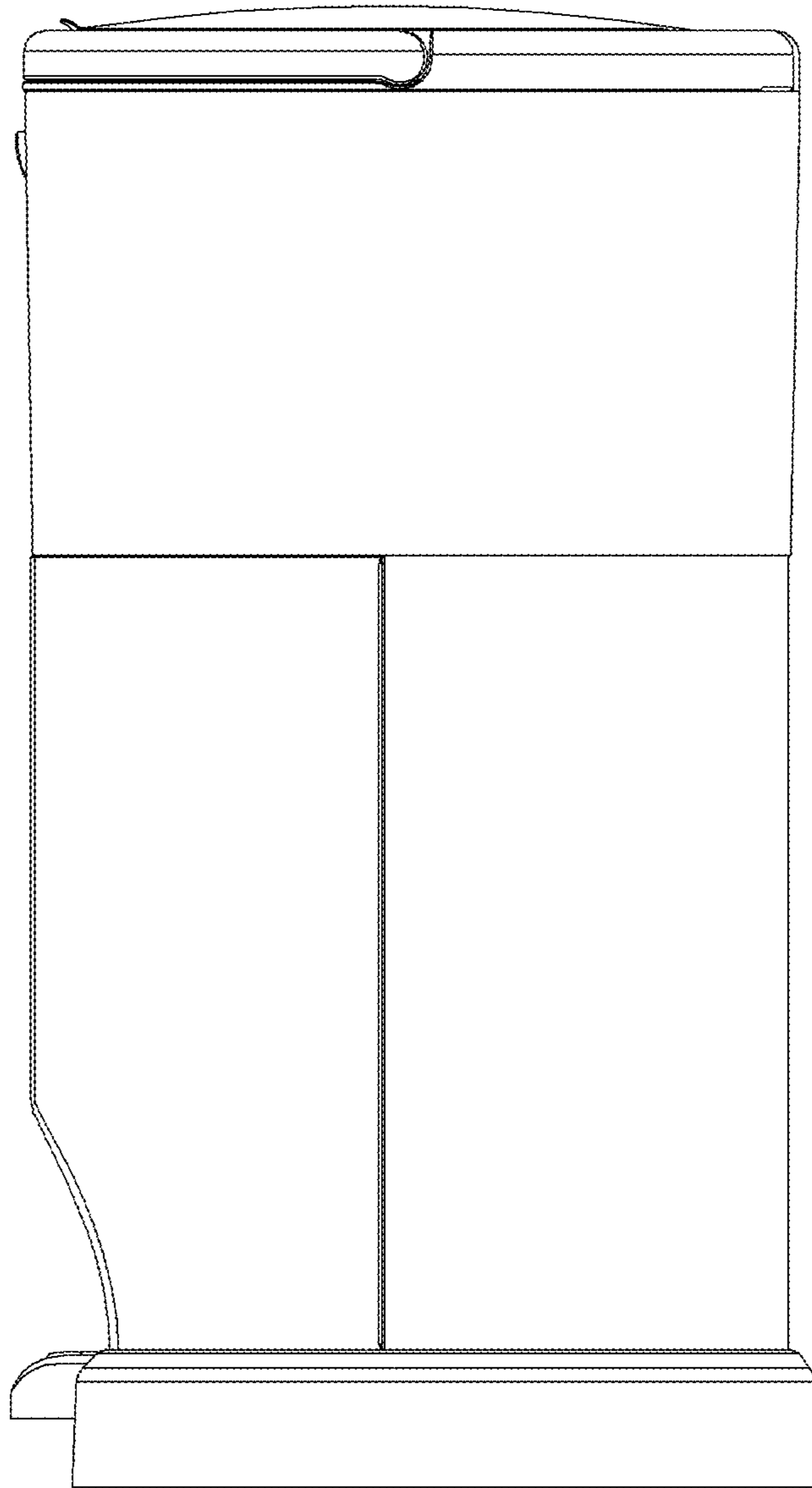


Fig. 5

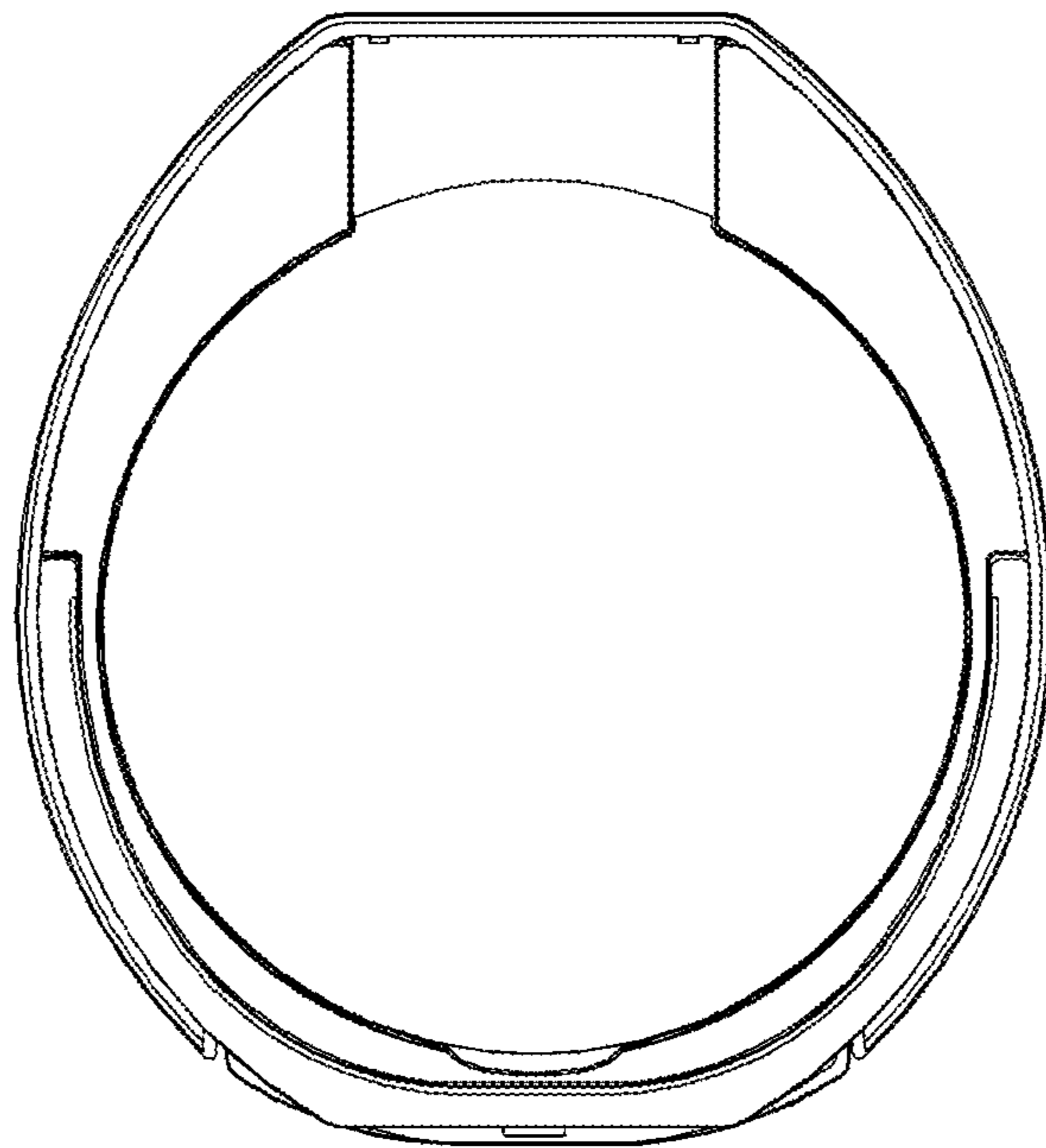


Fig. 6

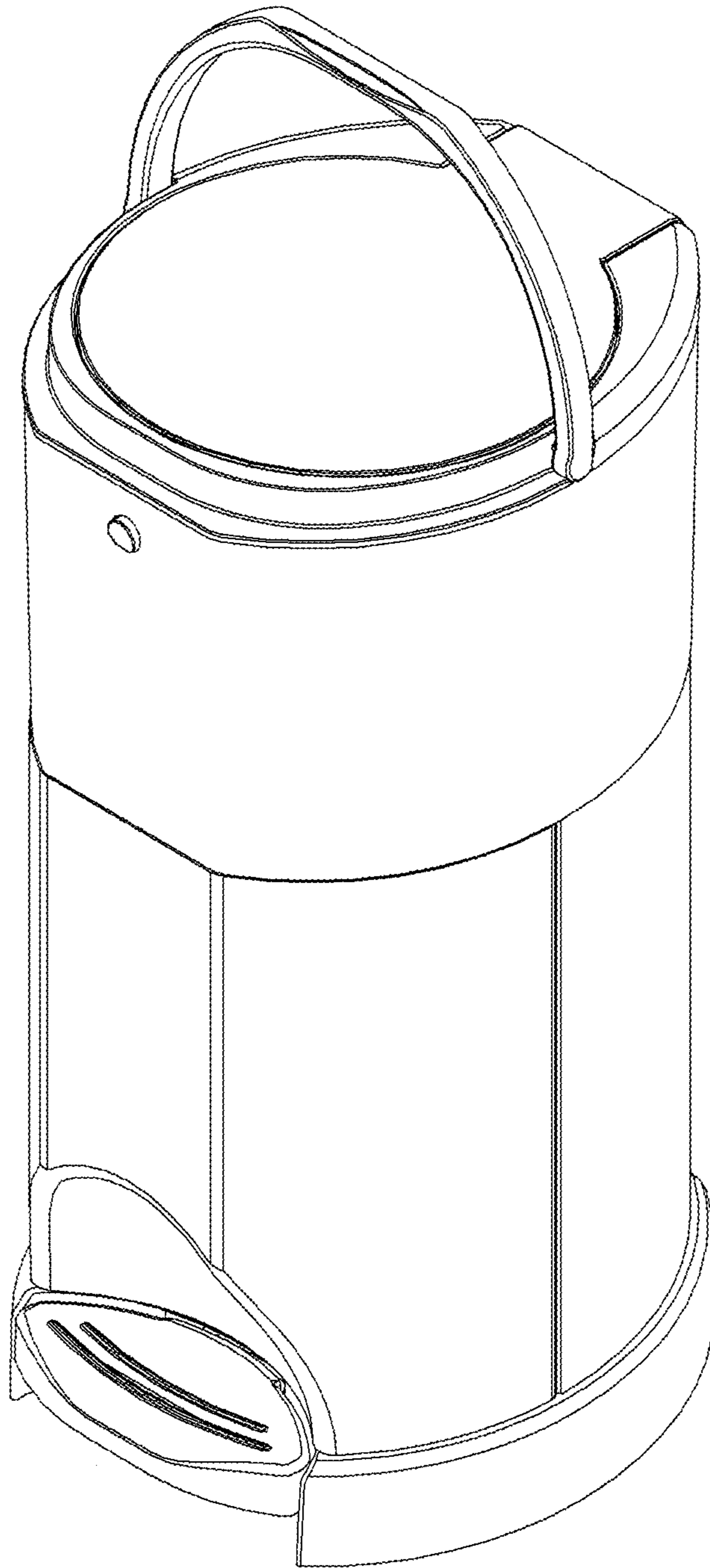


Fig. 7