



US00D840626S

(12) **United States Design Patent**
Buckley

(10) **Patent No.:** **US D840,626 S**

(45) **Date of Patent:** **** Feb. 12, 2019**

(54) **HARD SURFACE CLEANING DEVICE**

FOREIGN PATENT DOCUMENTS

(71) Applicant: **Unger Marketing International, LLC**,
Bridgeport, CT (US)

CA 2730814 A1 8/2011
CA 2893297 6/2014

(72) Inventor: **James M. Buckley**, New Hartford, CT
(US)

OTHER PUBLICATIONS

HooverTwinTank_2011_Manual, 13 pages.

(73) Assignee: **UNGER MARKETING INTERNATIONAL, LLC**, Bridgeport,
CT (US)

Primary Examiner — Austin Murphy

(74) *Attorney, Agent, or Firm* — Cantor Colburn LLP

(**) Term: **15 Years**

(57) **CLAIM**

(21) Appl. No.: **29/592,533**

The ornamental design for a hard surface cleaning device, as shown and described.

(22) Filed: **Jan. 31, 2017**

Related U.S. Application Data

DESCRIPTION

(63) Continuation-in-part of application No. 29/577,653,
filed on Sep. 14, 2016.

(51) **LOC (11) Cl.** **07-05**

(52) **U.S. Cl.**
USPC **D32/70**

(58) **Field of Classification Search**
USPC D32/71, 73, 72, 70, 69, 68, 35; D8/71,
D8/373, 349, 396, 30; D15/144, 144.2;
D28/73; 219/231, 242, 229; 165/80.1;
126/414

CPC D06F 75/34; D06F 75/08; D06F 75/38;
D06F 75/00; F22B 27/14; B08B 3/006

See application file for complete search history.

FIG. 1 is a first top perspective view of a hard surface cleaning device according to the present disclosure;
FIG. 2 is a second top perspective view of the hard surface cleaning device of FIG. 1;
FIG. 3 is a first bottom perspective view of the hard surface cleaning device of FIG. 1;
FIG. 4 is a second bottom perspective view of the hard surface cleaning device of FIG. 1;
FIG. 5 is a front view of the hard surface cleaning device of FIG. 1;
FIG. 6 is a rear view of the hard surface cleaning device of FIG. 1;
FIG. 7 is a first side view of the hard surface cleaning device of FIG. 1;
FIG. 8 is a second, opposite side view of the hard surface cleaning device of FIG. 1;
FIG. 9 is a top view of the hard surface cleaning device of FIG. 1; and,
FIG. 10 is a bottom view of the hard surface cleaning device of FIG. 1.

The broken lines in the figures form no part of the claimed design.

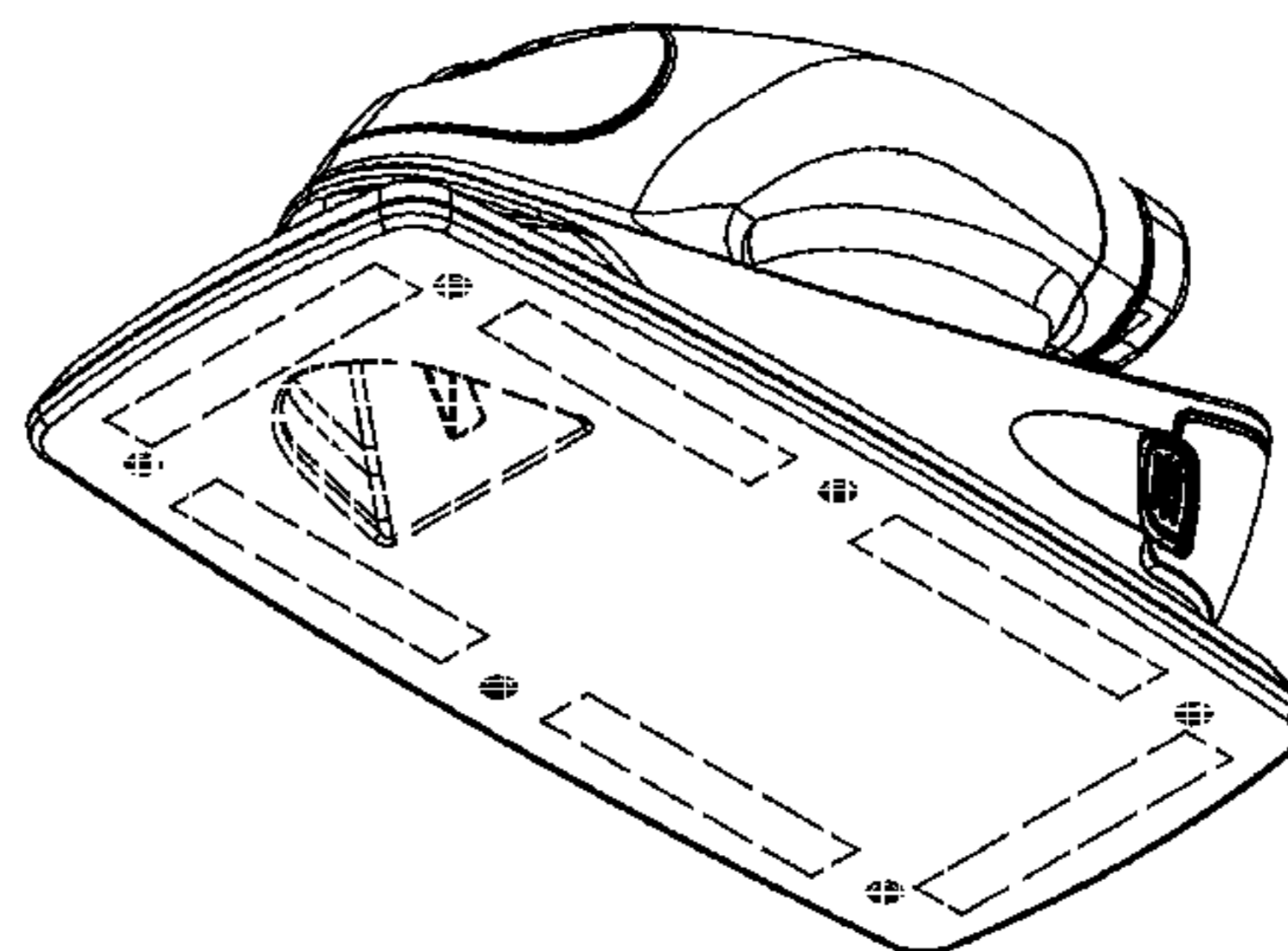
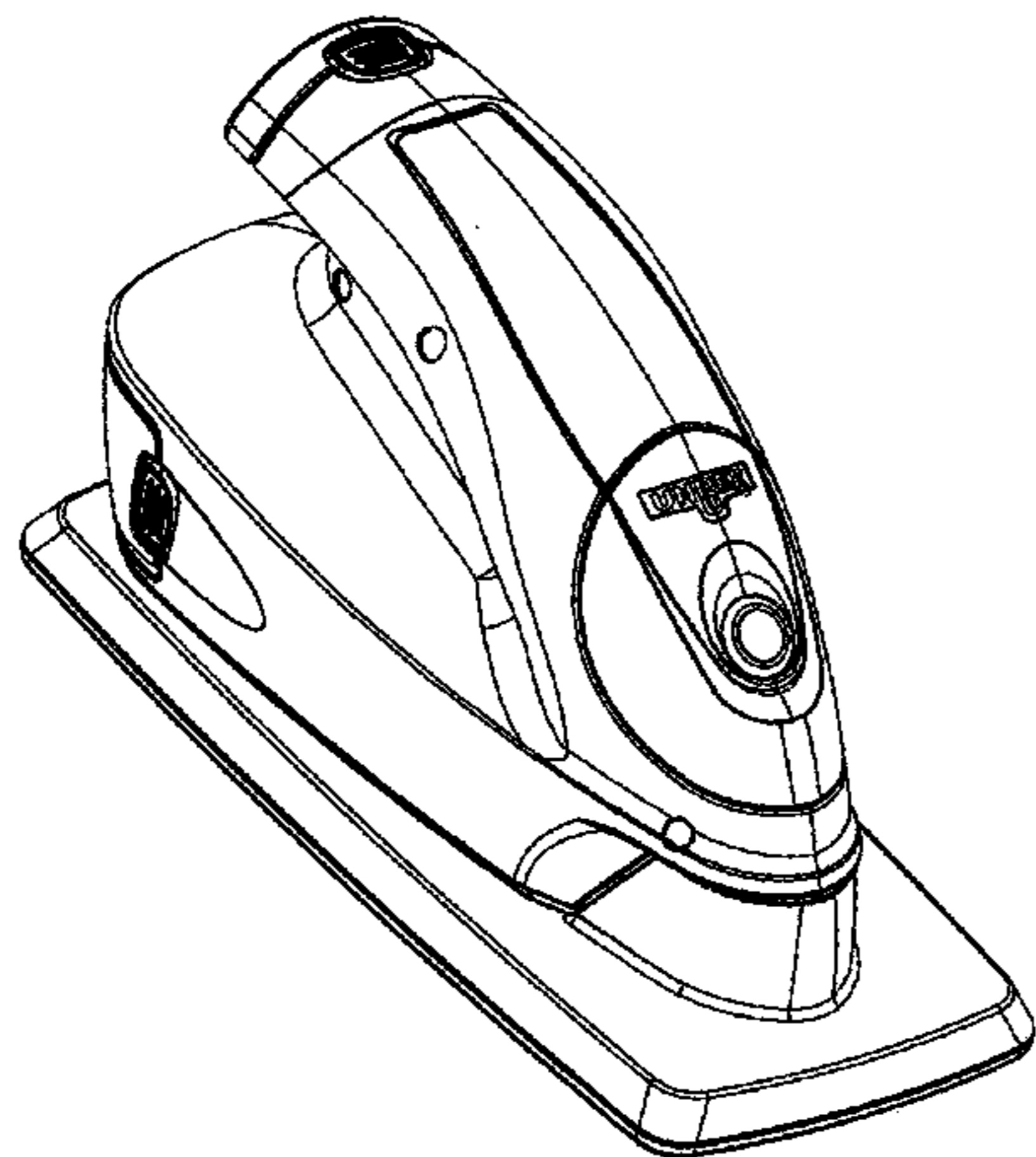
(56) **References Cited**

U.S. PATENT DOCUMENTS

2,104,161 A	12/1934	Koukal
4,776,716 A	10/1988	Huang
1,863,299 A	9/1989	Osberghaus et al.
5,271,682 A	12/1993	Realdon
5,735,620 A	4/1998	Ford
5,888,006 A	3/1999	Ping et al.
6,142,750 A	11/2000	Benecke

(Continued)

1 Claim, 10 Drawing Sheets



(56)

References Cited

U.S. PATENT DOCUMENTS

6,497,525 B1 12/2002 Huang
 6,540,424 B1 4/2003 Hall et al.
 6,551,001 B2 4/2003 Aberegg et al.
 6,579,023 B2 6/2003 Kunkler et al.
 6,612,768 B2 9/2003 Zorzo
 6,655,866 B1 12/2003 Morad et al.
 6,659,670 B1 12/2003 Blouse
 6,663,306 B2 12/2003 Policicchio et al.
 6,669,391 B2 12/2003 Policicchio et al.
 6,722,806 B2 4/2004 Kunkler et al.
 6,726,388 B1 4/2004 Monahan
 6,854,911 B2 2/2005 Policicchio et al.
 6,854,912 B2 2/2005 Dyer et al.
 6,893,180 B2 5/2005 Hall et al.
 6,899,485 B2 5/2005 Hall et al.
 6,953,299 B2 10/2005 Wang et al.
 6,960,042 B1 11/2005 Hsiao
 6,964,535 B2 11/2005 Bell et al.
 6,981,533 B2 1/2006 Zorzo
 6,986,618 B2 1/2006 Hall et al.
 6,986,619 B2 1/2006 Hall
 7,004,658 B2 2/2006 Hall et al.
 7,048,458 B2 5/2006 Hall et al.
 7,048,804 B2 5/2006 Kisela et al.
 7,056,050 B2 6/2006 Sacks
 7,159,275 B2 1/2007 Chang
 7,160,044 B2 1/2007 Dyer
 7,163,349 B2 1/2007 Policicchio et al.
 7,172,099 B2 2/2007 Hofte et al.
 7,191,486 B1 3/2007 Michelson et al.
 7,431,524 B2 10/2008 Sacks
 7,530,136 B1 5/2009 Ball
 7,618,206 B2 11/2009 Sacks
 7,699,551 B2 4/2010 Suda et al.
 7,708,485 B2 5/2010 Tanaka et al.
 7,722,273 B2 5/2010 Tanaka et al.
 7,850,384 B2 12/2010 Sacks
 8,069,520 B2 12/2011 Mattucci et al.
 8,079,770 B2 12/2011 Widmer et al.
 D653,415 S * 1/2012 Zegdon D32/70
 8,096,723 B2 1/2012 Bae
 8,109,685 B1 2/2012 Vito
 8,186,898 B2 5/2012 Bradbury et al.
 8,205,293 B2 6/2012 Rosenzweig et al.

D663,087 S * 7/2012 Grossi D32/70
 8,241,427 B1 8/2012 Crawford et al.
 8,267,607 B2 9/2012 Harris
 8,425,137 B1 4/2013 Sampaio
 8,449,212 B2 5/2013 Crawford et al.
 8,596,896 B2 12/2013 Kimura
 8,641,309 B2 2/2014 Perry et al.
 D701,362 S * 3/2014 Smith D32/70
 8,662,778 B2 3/2014 Crawford et al.
 8,667,637 B2 3/2014 Vrdoljak et al.
 8,807,858 B2 8/2014 Fitzpatrick et al.
 8,834,053 B2 9/2014 Van Landingham, Jr. et al.
 8,844,088 B2 9/2014 Garcia Castillo
 8,894,315 B2 11/2014 Dingert et al.
 8,926,210 B2 1/2015 Orubor
 8,927,480 B2 1/2015 Williams et al.
 D733,381 S * 6/2015 Shalvi D32/70
 9,044,132 B2 6/2015 Kaminer et al.
 D738,058 S * 9/2015 La Rovere D32/70
 D738,586 S * 9/2015 La Rovere D32/70
 D789,011 S * 6/2017 Koehler D32/70
 D799,772 S * 10/2017 Choi D32/70
 2003/0103795 A1 6/2003 Hollars et al.
 2003/0126710 A1 7/2003 Policicchio et al.
 2004/0146333 A1 7/2004 Fu
 2004/0223803 A1 11/2004 Fahy et al.
 2005/0031404 A1 2/2005 Tsai
 2005/0089360 A1 4/2005 Garabedian, Jr. et al.
 2005/0191116 A1 9/2005 Flanery et al.
 2006/0039743 A1 2/2006 Mensink et al.
 2006/0110207 A1 5/2006 Augustinus Hofte et al.
 2006/0213017 A1 9/2006 Bele et al.
 2007/0140774 A1 6/2007 Dyer et al.
 2007/0231046 A1 10/2007 Whiffen et al.
 2008/0038045 A1 2/2008 Hofte et al.
 2008/0066242 A1 3/2008 Aiyar
 2008/0205972 A1 8/2008 LaFlamme et al.
 2011/0158740 A1 6/2011 Kandasamy et al.
 2012/0227763 A1 9/2012 Hayes et al.
 2013/0263396 A1 10/2013 Crawford et al.
 2013/0263398 A1 10/2013 Irwin et al.
 2014/0317868 A1 10/2014 Fitzpatrick et al.
 2015/0082570 A1 3/2015 Davidshofer et al.
 2015/0089757 A1 4/2015 Davidshofer et al.
 2015/0101140 A1 4/2015 Pierce

* cited by examiner

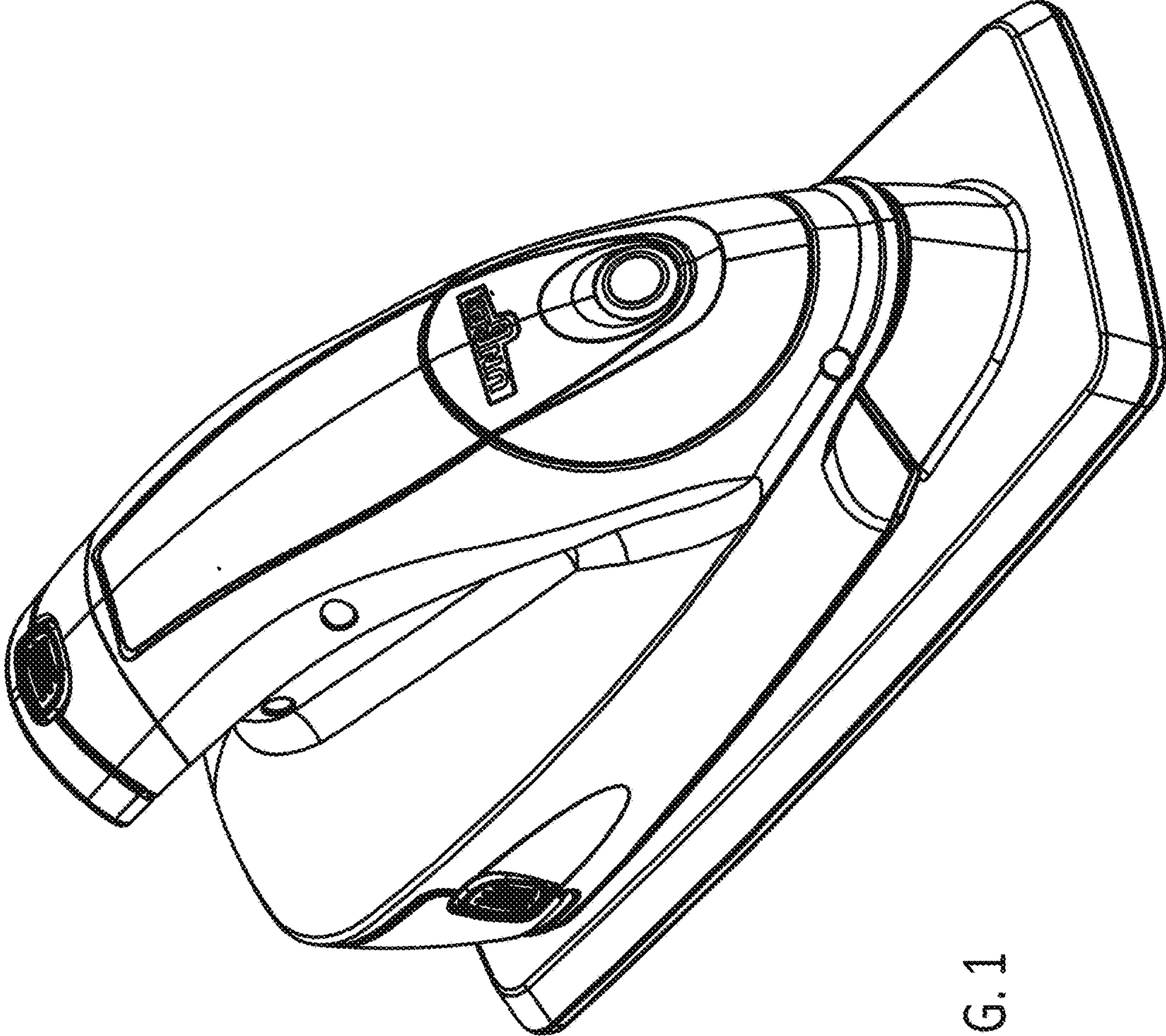


FIG. 1

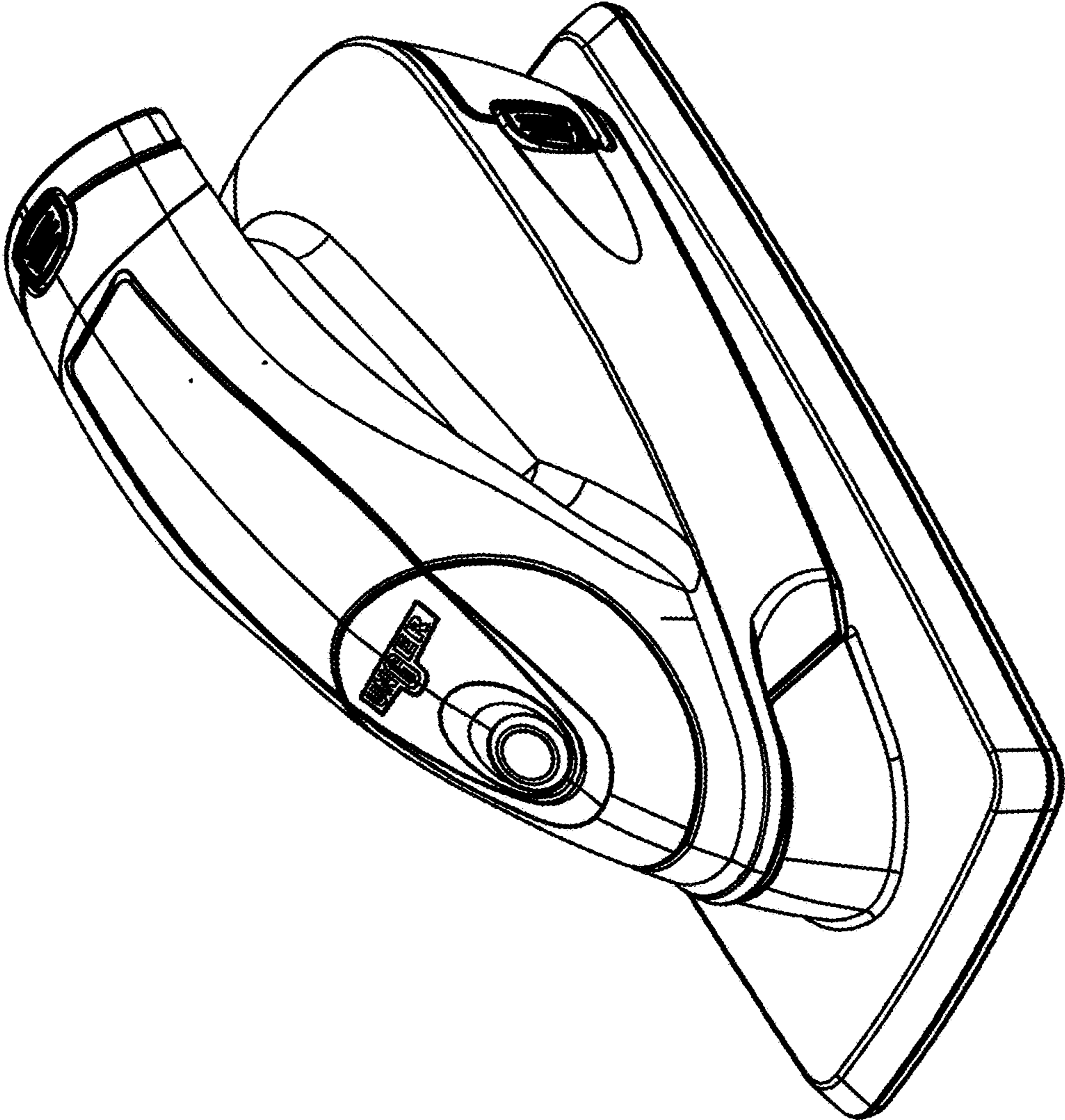


FIG. 2

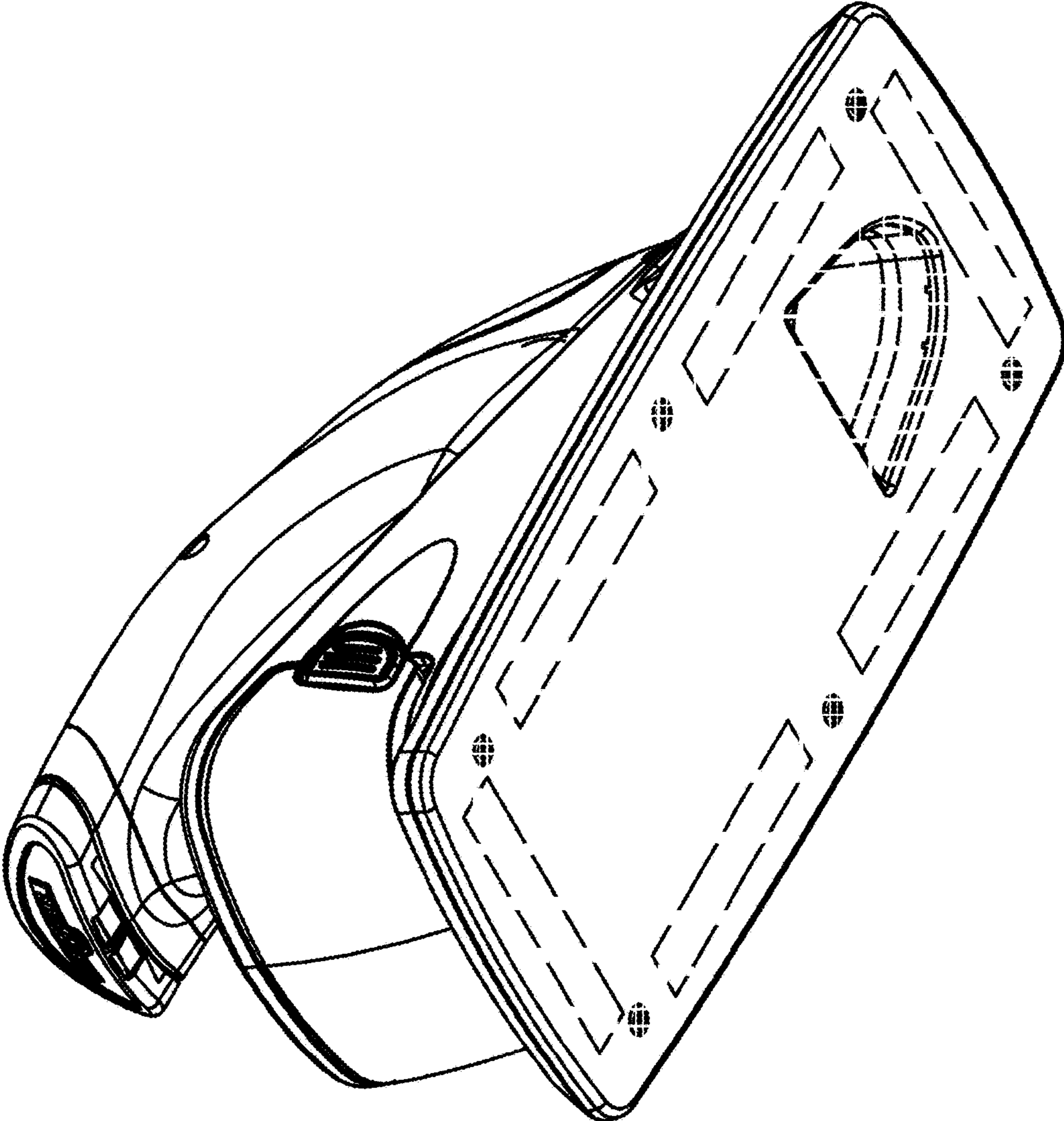


FIG. 3

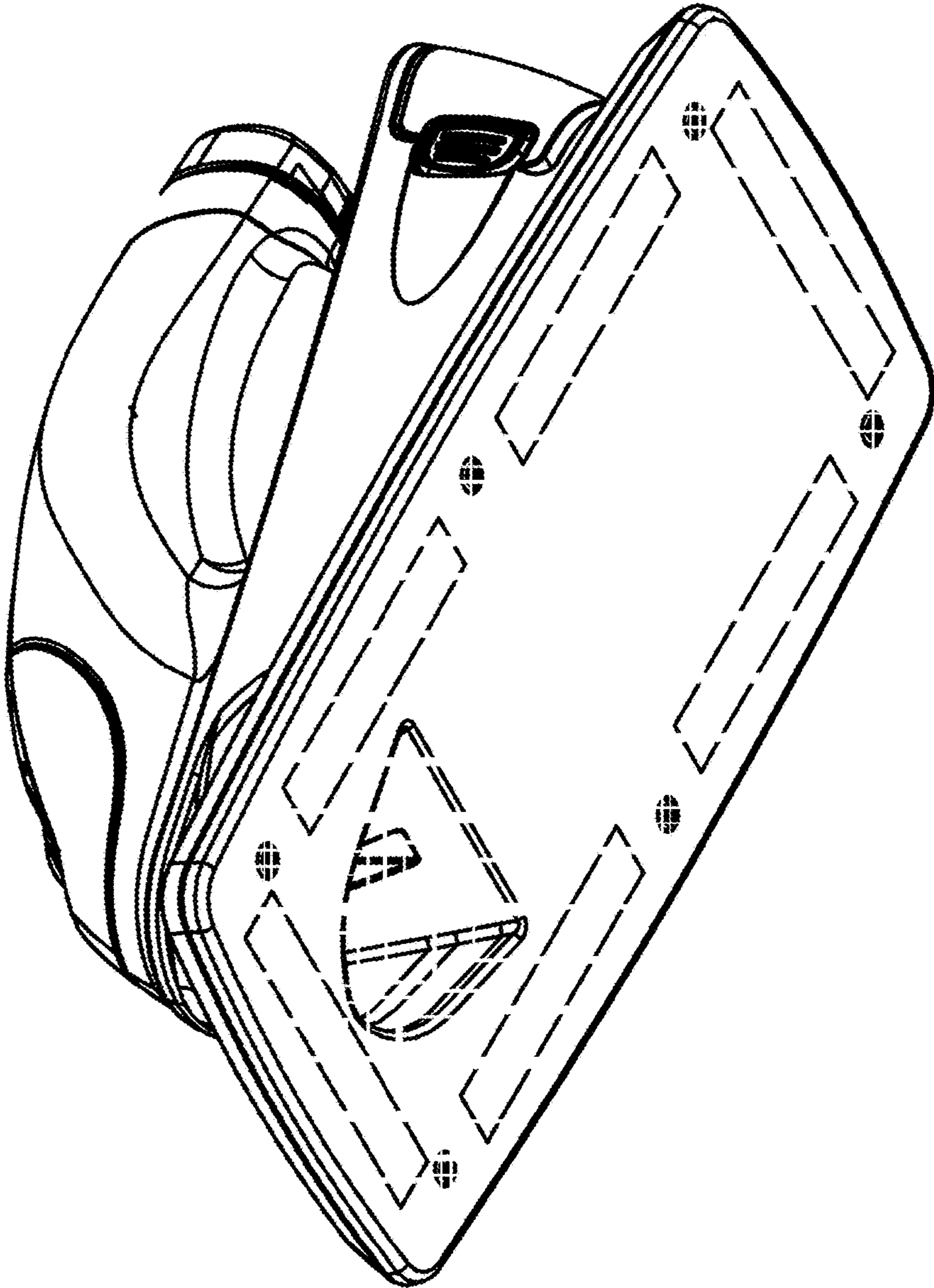


FIG. 4

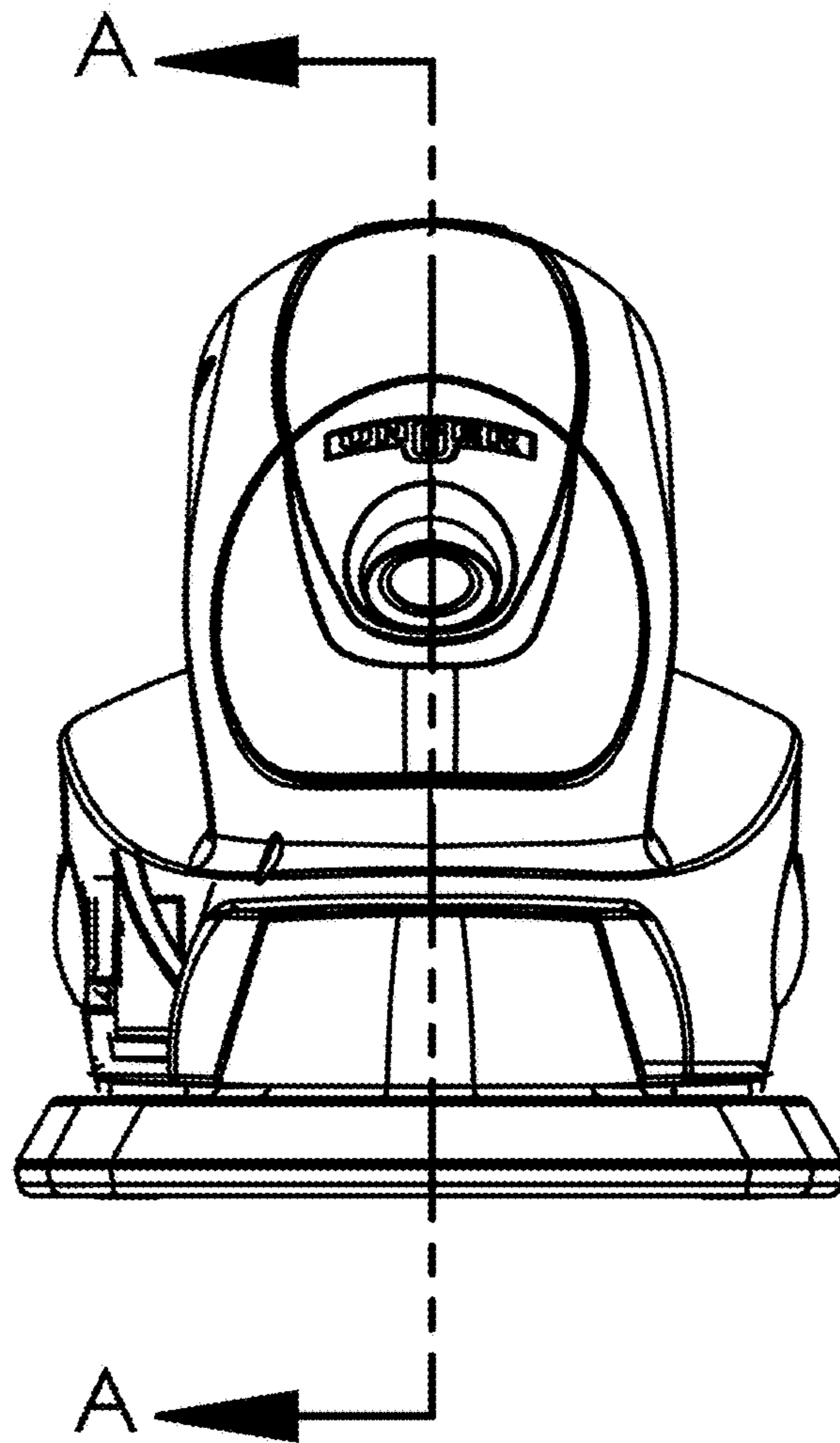


FIG. 5

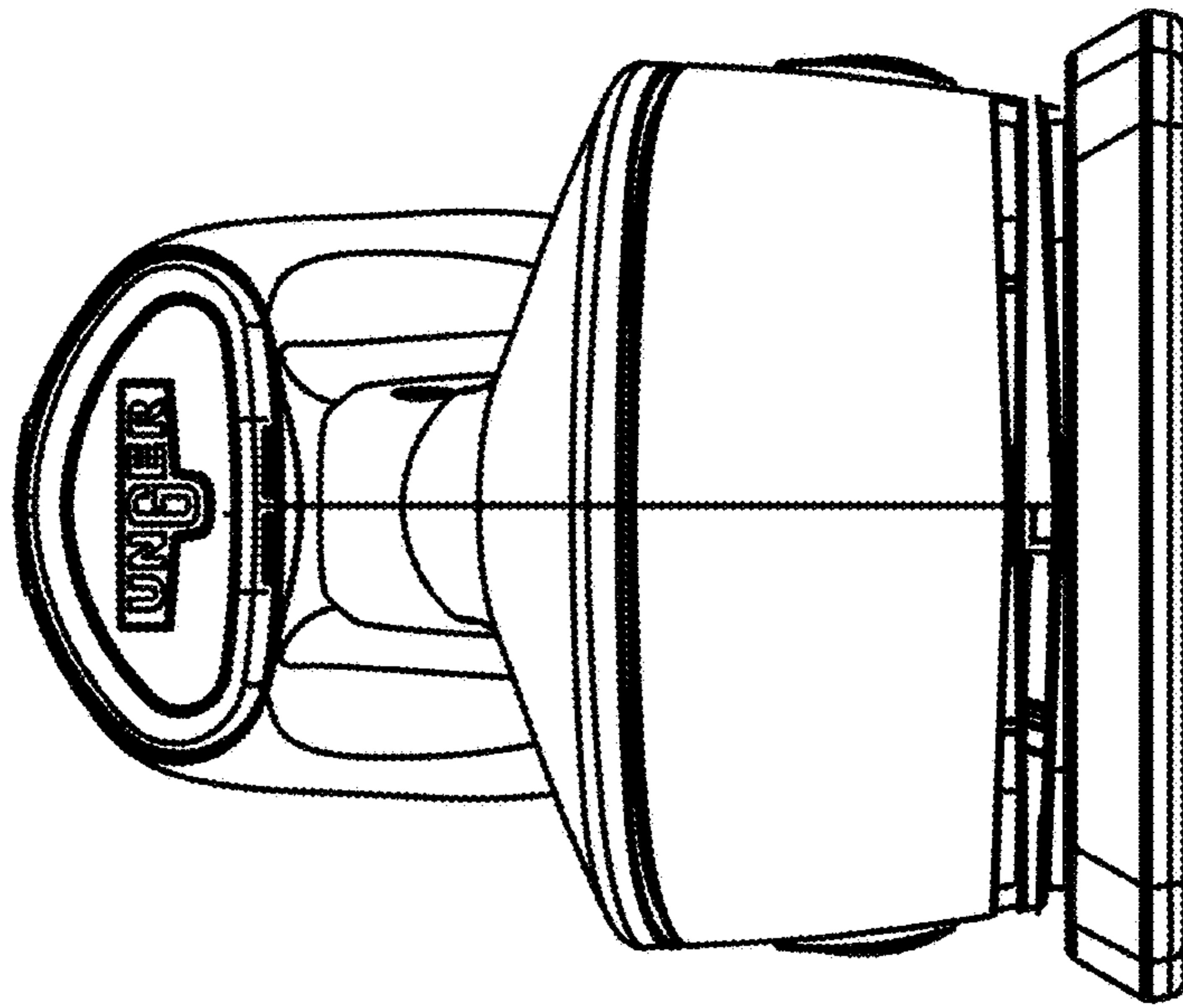


FIG. 6

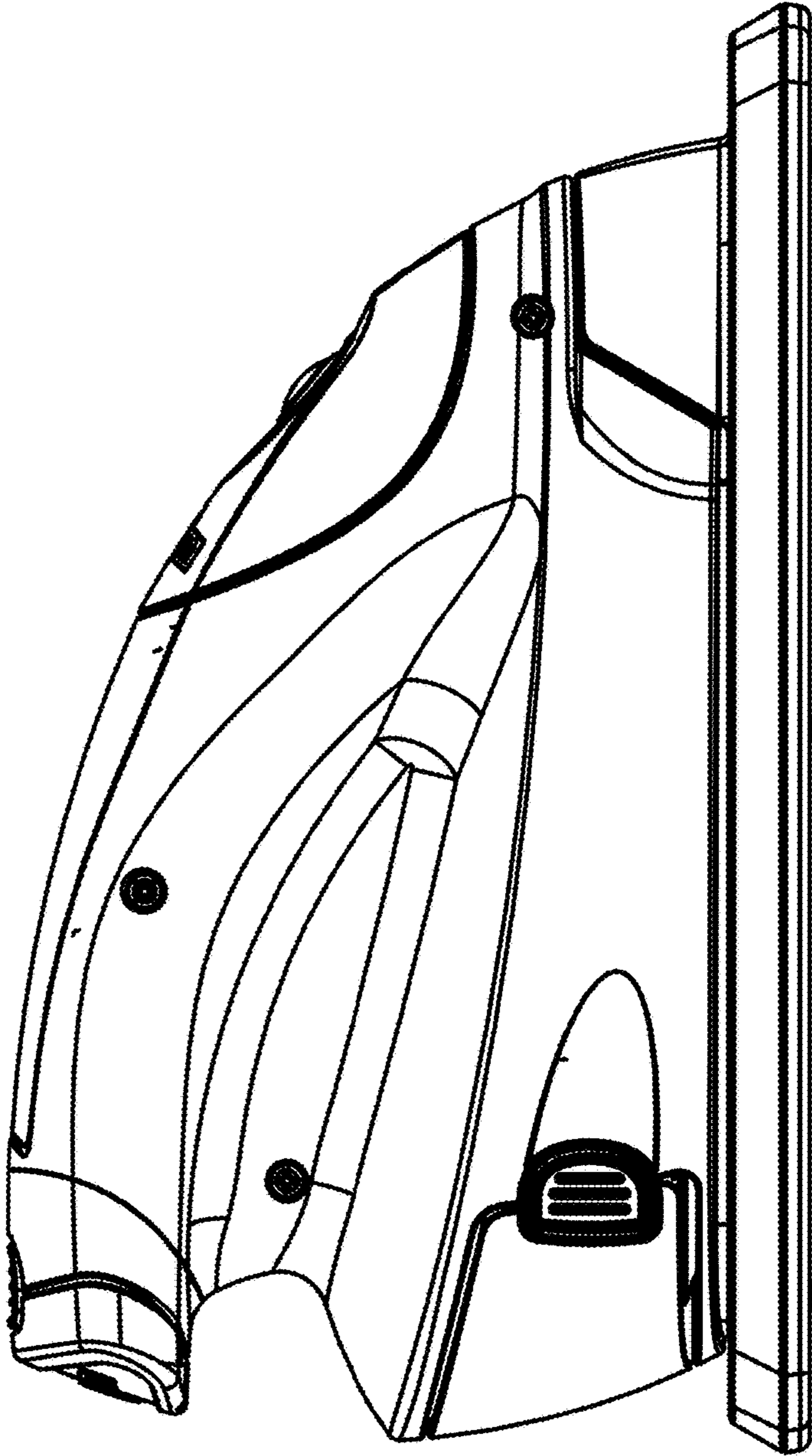


FIG. 7

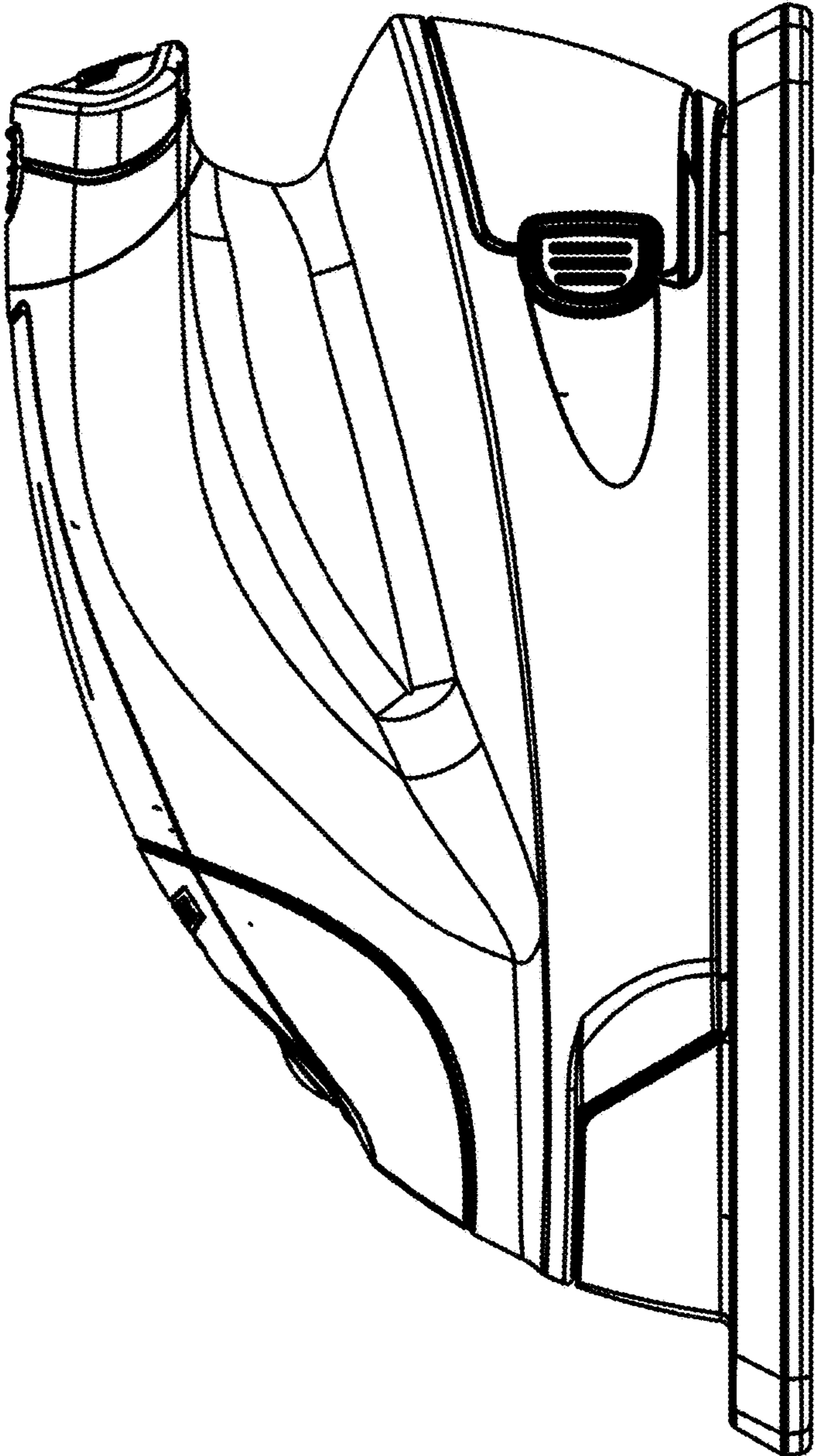


FIG. 8

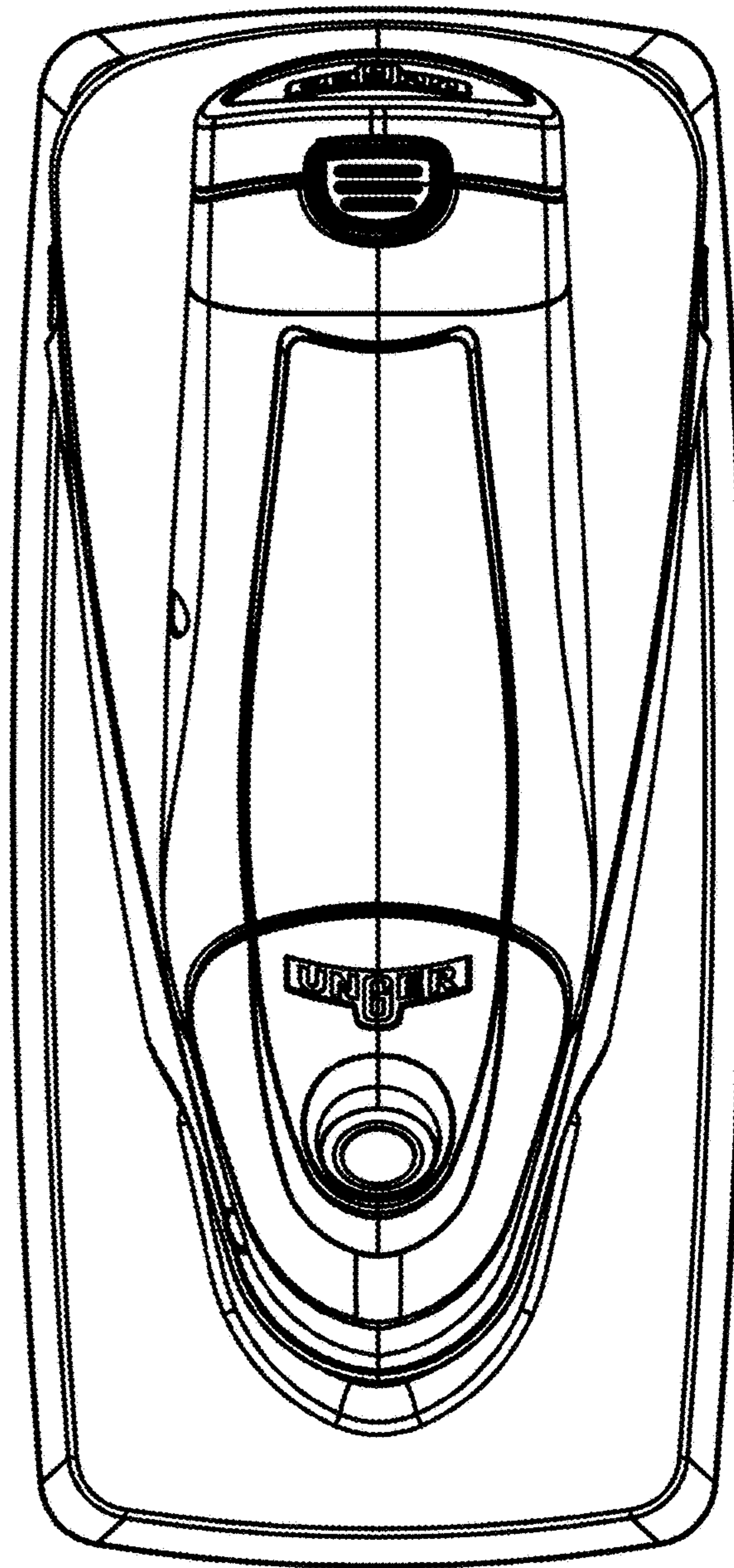


FIG. 9

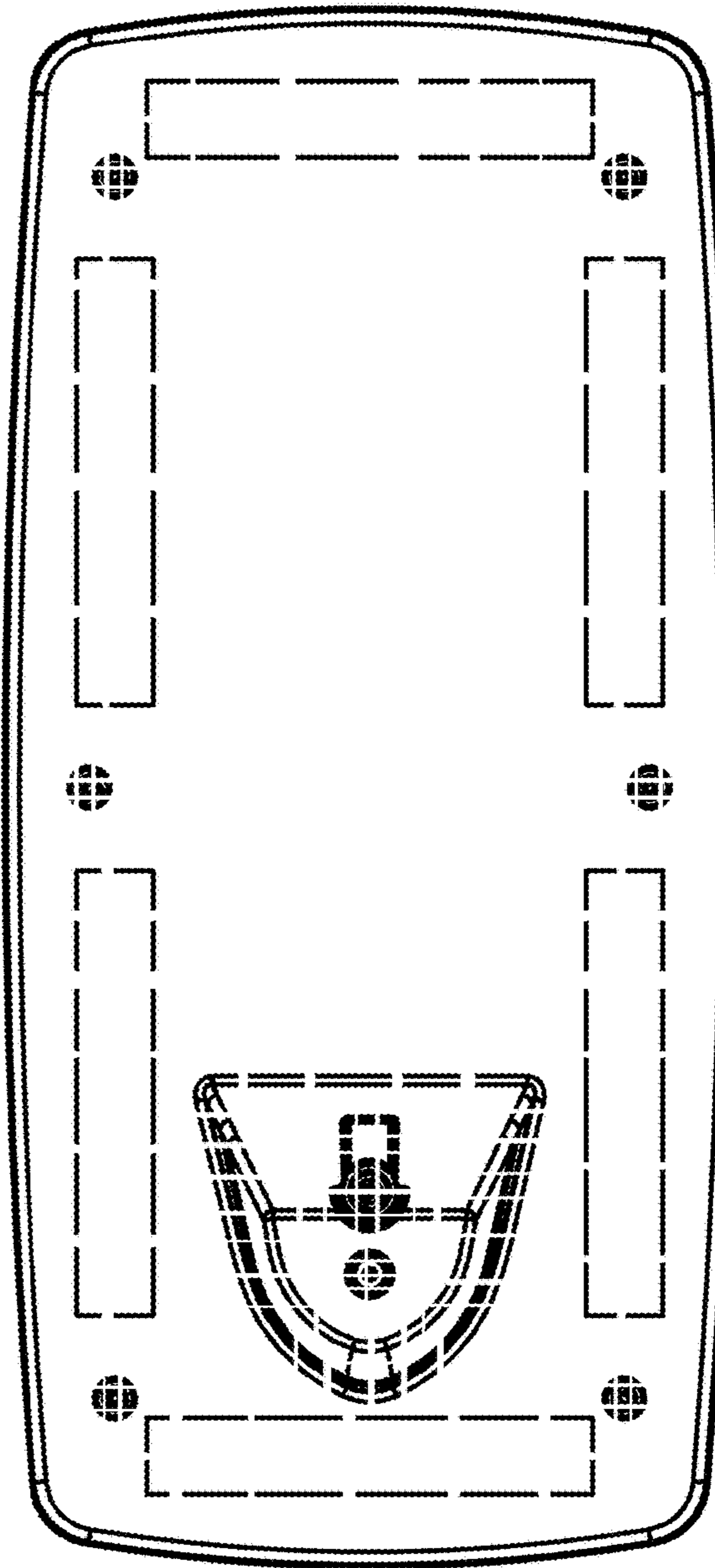


FIG. 10