



US00D840625S

(12) **United States Design Patent** (10) **Patent No.:** **US D840,625 S**  
**Buckley et al.** (45) **Date of Patent:** **\*\* Feb. 12, 2019**

(54) **HARD SURFACE CLEANING DEVICE**  
(71) Applicant: **Unger Marketing International, LLC**,  
Bridgeport, CT (US)  
(72) Inventors: **James M. Buckley**, New Hartford, CT  
(US); **Joseph K. Patterson**, Monroe,  
CT (US)  
(73) Assignee: **UNGER MARKETING**  
**INTERNATIONAL, LLC**, Bridgeport,  
CT (US)

6,612,768 B2 9/2003 Zorzo  
6,655,866 B1 12/2003 Morad et al.  
6,659,670 B1 12/2003 Blouse  
6,663,306 B2 12/2003 Policicchio et al.  
(Continued)

(\*\*) Term: **15 Years**

FOREIGN PATENT DOCUMENTS

CA 2730814 A1 8/2011  
CA 2893297 6/2014

(21) Appl. No.: **29/577,653**

(22) Filed: **Sep. 14, 2016**

(51) **LOC (11) Cl.** ..... **07-05**

(52) **U.S. Cl.**  
USPC ..... **D32/70**

(58) **Field of Classification Search**  
USPC ..... D32/70, 71, 73, 72, 69, 68, 35; D8/373,  
D8/349, 396, 30; D15/144, 144.2;  
D28/73; 219/231, 242, 229; 165/80.1;  
126/414

CPC ..... D06F 75/34; D06F 75/08; D06F 75/38;  
D06F 75/00; F22B 27/14; B08B 3/006  
See application file for complete search history.

OTHER PUBLICATIONS

HooverTwinTank\_2011\_Manual, 13 pages.  
(Continued)

*Primary Examiner* — Austin Murphy  
(74) *Attorney, Agent, or Firm* — Cantor Colburn LLP

(57) **CLAIM**

The ornamental design for a hard surface cleaning device, as shown and described.

**DESCRIPTION**

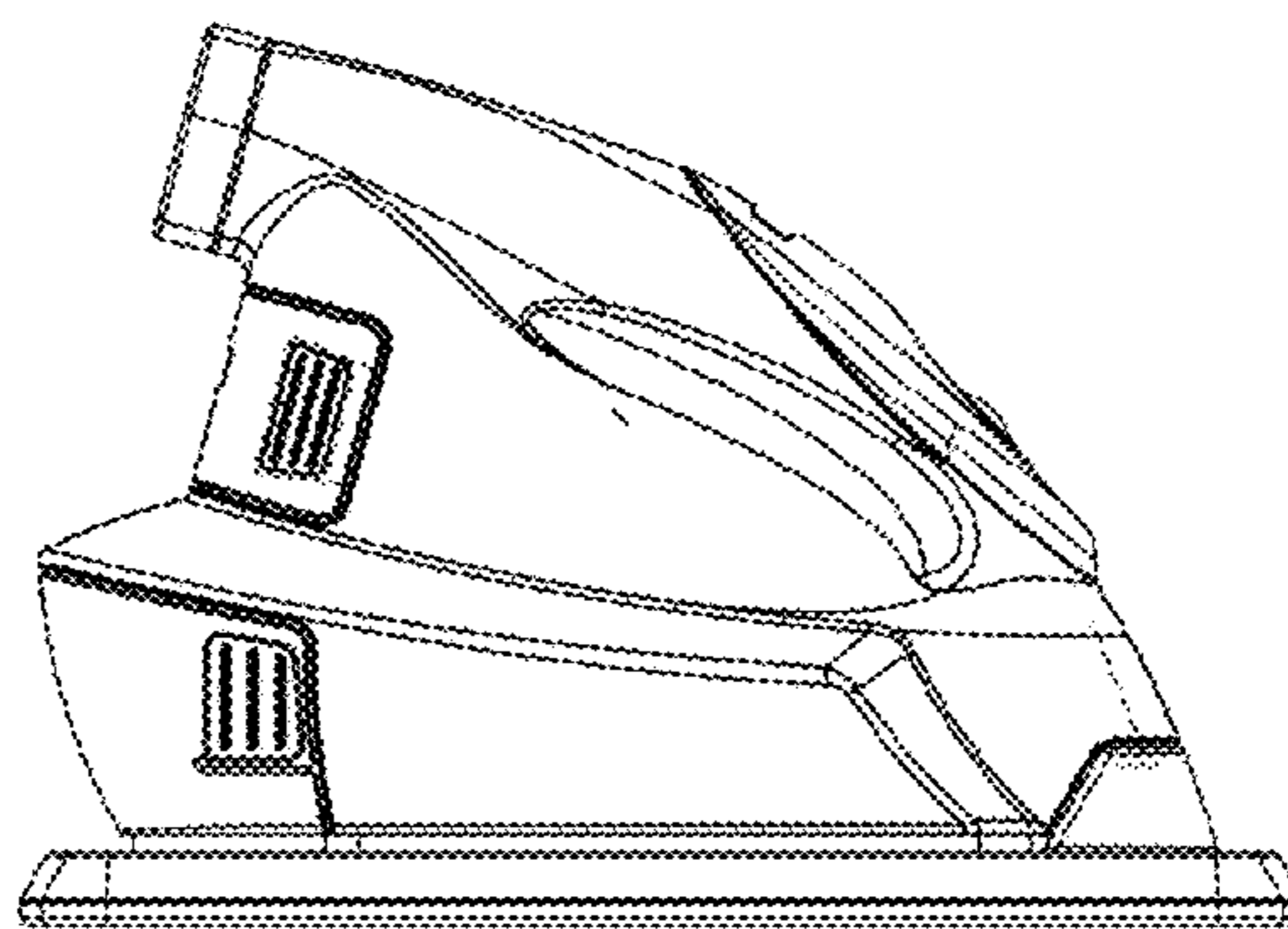
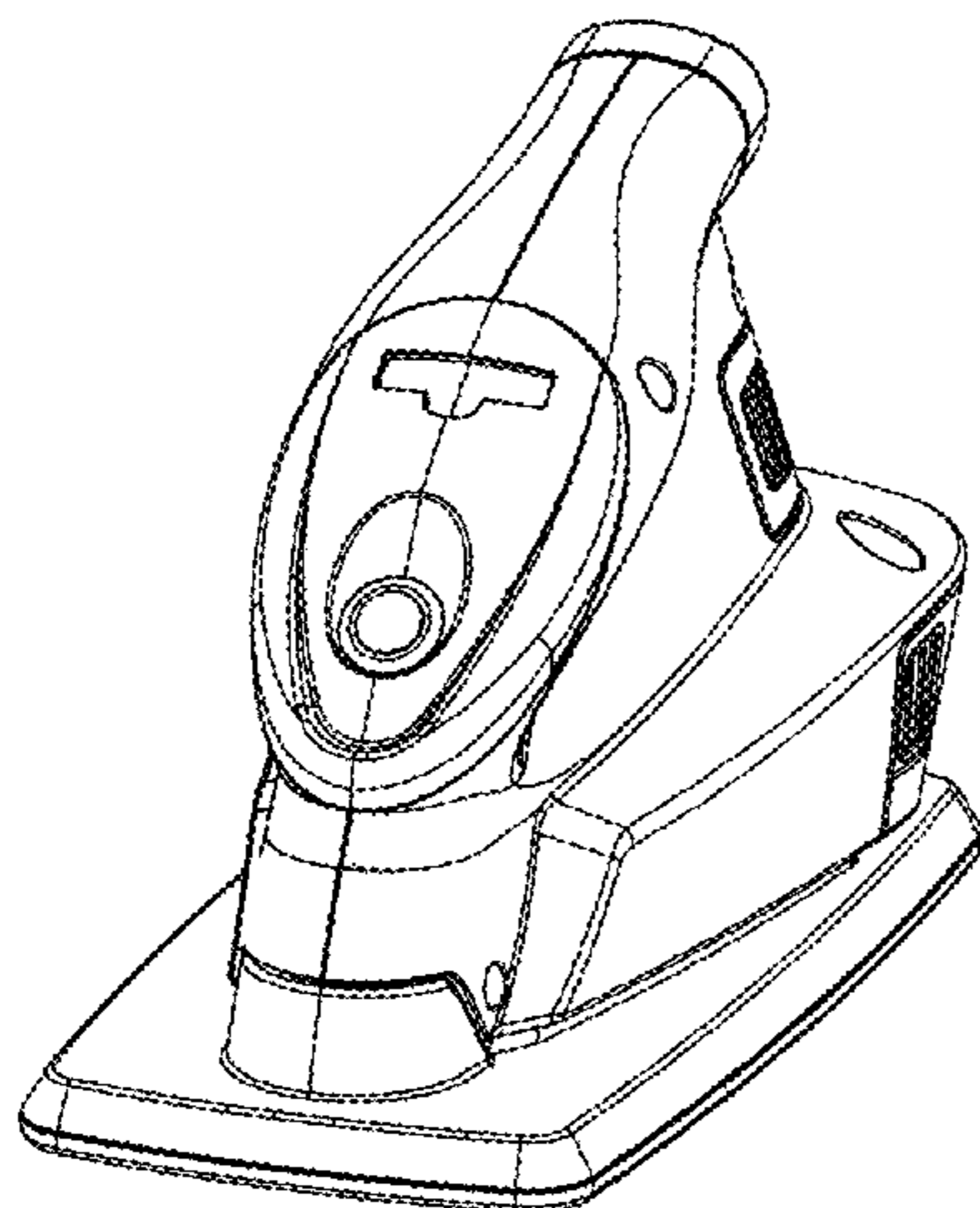
FIG. 1 is a front perspective view of a hard surface cleaning device according to the present disclosure;  
FIG. 2 is a front view of the hard surface cleaning device of FIG. 1;  
FIG. 3 is a rear view of the hard surface cleaning device of FIG. 1;  
FIG. 4 is a first side view of the hard surface cleaning device of FIG. 1;  
FIG. 5 is a second, opposite side view of the hard surface cleaning device of FIG. 1;  
FIG. 6 is a top view of the hard surface cleaning device of FIG. 1; and,  
FIG. 7 is a bottom view of the hard surface cleaning device of FIG. 1.  
The broken lines in the figures form no part of the claimed design.

(56) **References Cited**

U.S. PATENT DOCUMENTS

2,104,161 A 12/1934 Koukal  
4,776,716 A 10/1988 Huang  
4,863,299 A 9/1989 Osberghaus et al.  
5,271,682 A 12/1993 Realdon  
5,735,620 A 4/1998 Ford  
5,888,006 A 3/1999 Ping et al.  
6,142,750 A 11/2000 Benecke  
6,497,525 B1 12/2002 Huang  
6,540,424 B1 4/2003 Hall et al.  
6,551,001 B2 4/2003 Aberegg et al.  
6,579,023 B2 6/2003 Kunkler et al.

**1 Claim, 7 Drawing Sheets**



(56)

References Cited

U.S. PATENT DOCUMENTS

6,669,391 B2 12/2003 Policicchio et al.  
 6,722,806 B2 4/2004 Kunkler et al.  
 6,726,388 B1 4/2004 Monahan  
 6,854,911 B2 2/2005 Policicchio et al.  
 6,854,912 B2 2/2005 Dyer et al.  
 6,893,180 B2 5/2005 Hall et al.  
 6,899,485 B2 5/2005 Hall et al.  
 6,953,299 B2 10/2005 Wang et al.  
 6,960,042 B1 11/2005 Hsiao  
 6,964,535 B2 11/2005 Hall et al.  
 6,981,533 B2 1/2006 Zorzo  
 6,986,618 B2 1/2006 Hall et al.  
 6,986,619 B2 1/2006 Hall et al.  
 7,004,658 B2 2/2006 Hall et al.  
 7,048,458 B2 5/2006 Hall et al.  
 7,048,804 B2 5/2006 Kisela et al.  
 7,056,050 B2 6/2006 Sacks  
 7,159,275 B2 1/2007 Chang  
 7,160,044 B2 1/2007 Dyer et al.  
 7,163,349 B2 1/2007 Policicchio et al.  
 7,172,099 B2 2/2007 Hofte et al.  
 7,191,486 B1 3/2007 Michelson et al.  
 7,431,524 B2 10/2008 Sacks  
 7,530,136 B1 5/2009 Ball  
 7,618,206 B2 11/2009 Sacks  
 7,699,551 B2 4/2010 Suda et al.  
 7,708,485 B2 5/2010 Tanaka et al.  
 7,722,273 B2 5/2010 Tanaka et al.  
 7,850,384 B2 12/2010 Sacks  
 8,069,520 B2 12/2011 Mattucci et al.  
 8,079,770 B2 12/2011 Widmer et al.  
 D653,415 S \* 1/2012 Zegdon ..... D32/70  
 8,096,723 B2 1/2012 Bae  
 8,109,685 B1 2/2012 Vito  
 8,186,898 B2 5/2012 Bradbury et al.  
 8,205,293 B2 6/2012 Rosenzweig et al.  
 D663,087 S \* 7/2012 Grossi ..... D32/70  
 8,241,427 B1 8/2012 Crawford et al.  
 8,267,607 B2 9/2012 Harris  
 8,425,137 B1 4/2013 Sampaio  
 8,449,212 B2 5/2013 Crawford et al.  
 8,596,896 B2 12/2013 Kimura  
 8,641,309 B2 2/2014 Perry et al.

D701,362 S \* 3/2014 Smith ..... D32/70  
 8,662,778 B2 3/2014 Crawford et al.  
 8,667,637 B2 3/2014 Vrdoljak et al.  
 8,807,858 B2 8/2014 Fitzpatrick et al.  
 8,834,053 B2 9/2014 Van Ledingham, Jr. et al.  
 8,844,088 B2 9/2014 Garcia Castillo  
 8,894,315 B2 11/2014 Dingert et al.  
 8,926,210 B2 1/2015 Orubor  
 8,927,480 B2 1/2015 Williams et al.  
 D733,381 S \* 6/2015 Shalvi ..... D32/70  
 9,044,132 B2 6/2015 Kaminer et al.  
 D738,058 S \* 9/2015 La Rovere ..... D32/70  
 D738,586 S \* 9/2015 La Rovere ..... D32/70  
 D789,011 S \* 6/2017 Koehler ..... D32/70  
 D799,772 S \* 10/2017 Choi ..... D32/70  
 2003/0103795 A1 6/2003 Hollars et al.  
 2003/0126710 A1 7/2003 Policicchio et al.  
 2004/0146333 A1 7/2004 Fu  
 2004/0223803 A1 11/2004 Fahy et al.  
 2005/0031404 A1 2/2005 Tsai et al.  
 2005/0089360 A1 4/2005 Garabedian, Jr. et al.  
 2005/0191116 A1 9/2005 Flanery et al.  
 2006/0039743 A1 2/2006 Mensink et al.  
 2006/0110207 A1 5/2006 Augustinus Hofte et al.  
 2006/0213017 A1 9/2006 Bele et al.  
 2007/0140774 A1 6/2007 Dyer et al.  
 2007/0231046 A1 10/2007 Whiffen et al.  
 2008/0038045 A1 2/2008 Hofte et al.  
 2008/0066242 A1 3/2008 Aiyar  
 2008/0205972 A1 8/2008 LaFlamme et al.  
 2011/0158740 A1 6/2011 Kandasamy et al.  
 2012/0227763 A1 9/2012 Hayes et al.  
 2013/0263396 A1 10/2013 Crawford et al.  
 2013/0263398 A1 10/2013 Irwin et al.  
 2014/0317868 A1 10/2014 Fitzpatrick et al.  
 2015/0082570 A1 3/2015 Davidshofer et al.  
 2015/0089757 A1 4/2015 Davidshofer et al.  
 2015/0101140 A1 4/2015 Pierce

OTHER PUBLICATIONS

International Search Report and Written Opinion dated Feb. 25, 2016 for corresponding International Patent Application No. PCT/US2015/068212, 8 pages.

\* cited by examiner

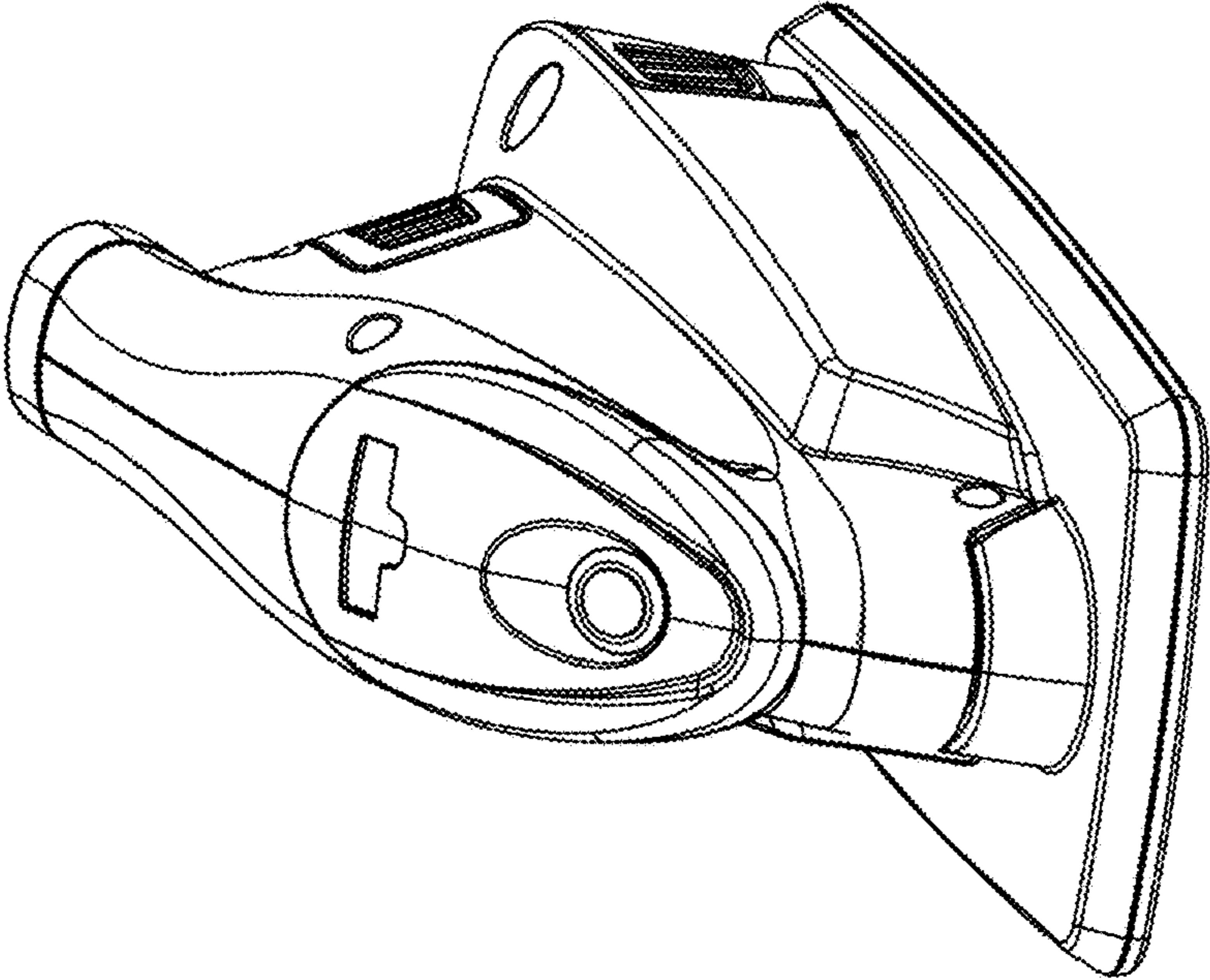


FIG. 1

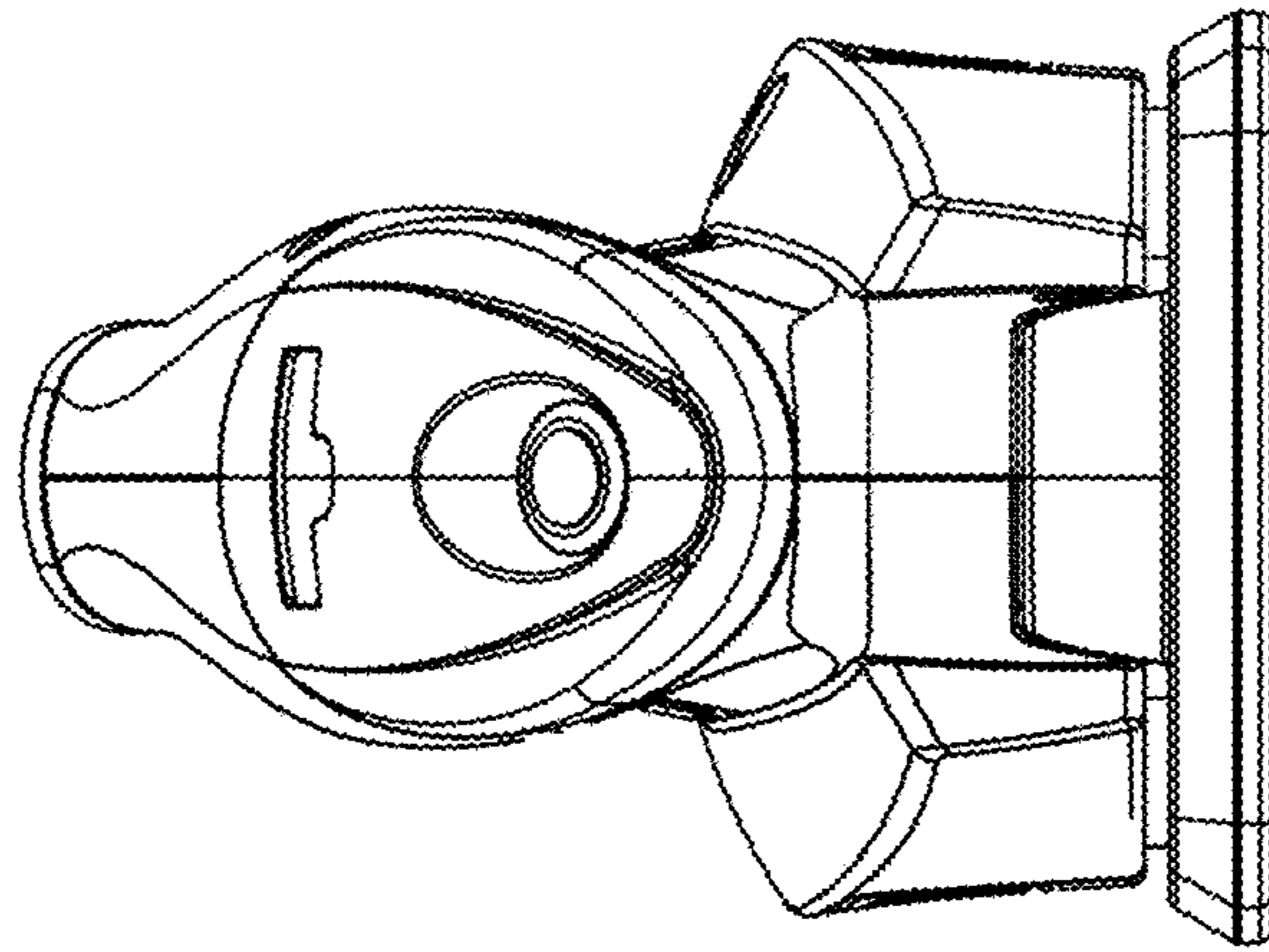


FIG. 2

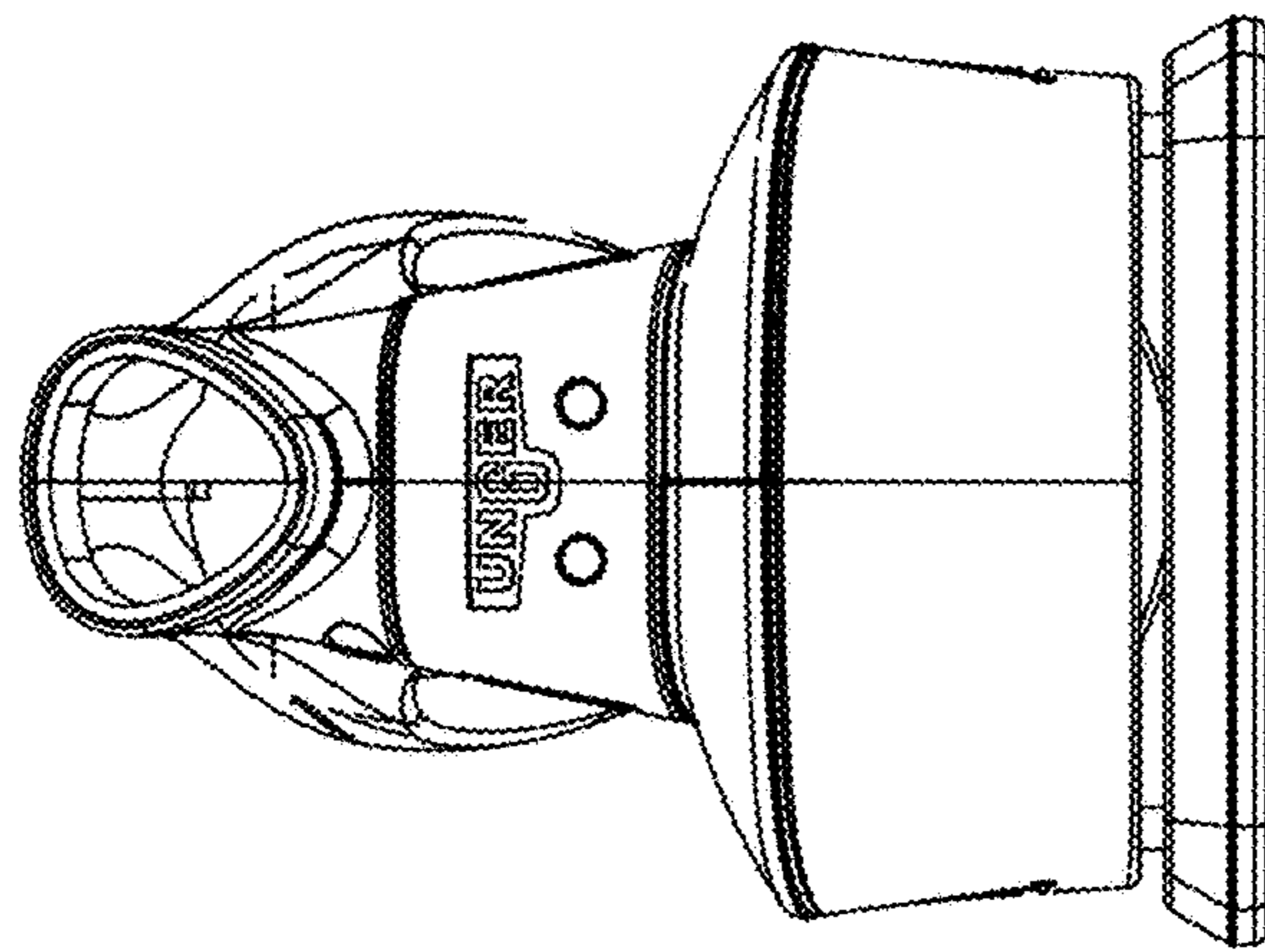


FIG. 3

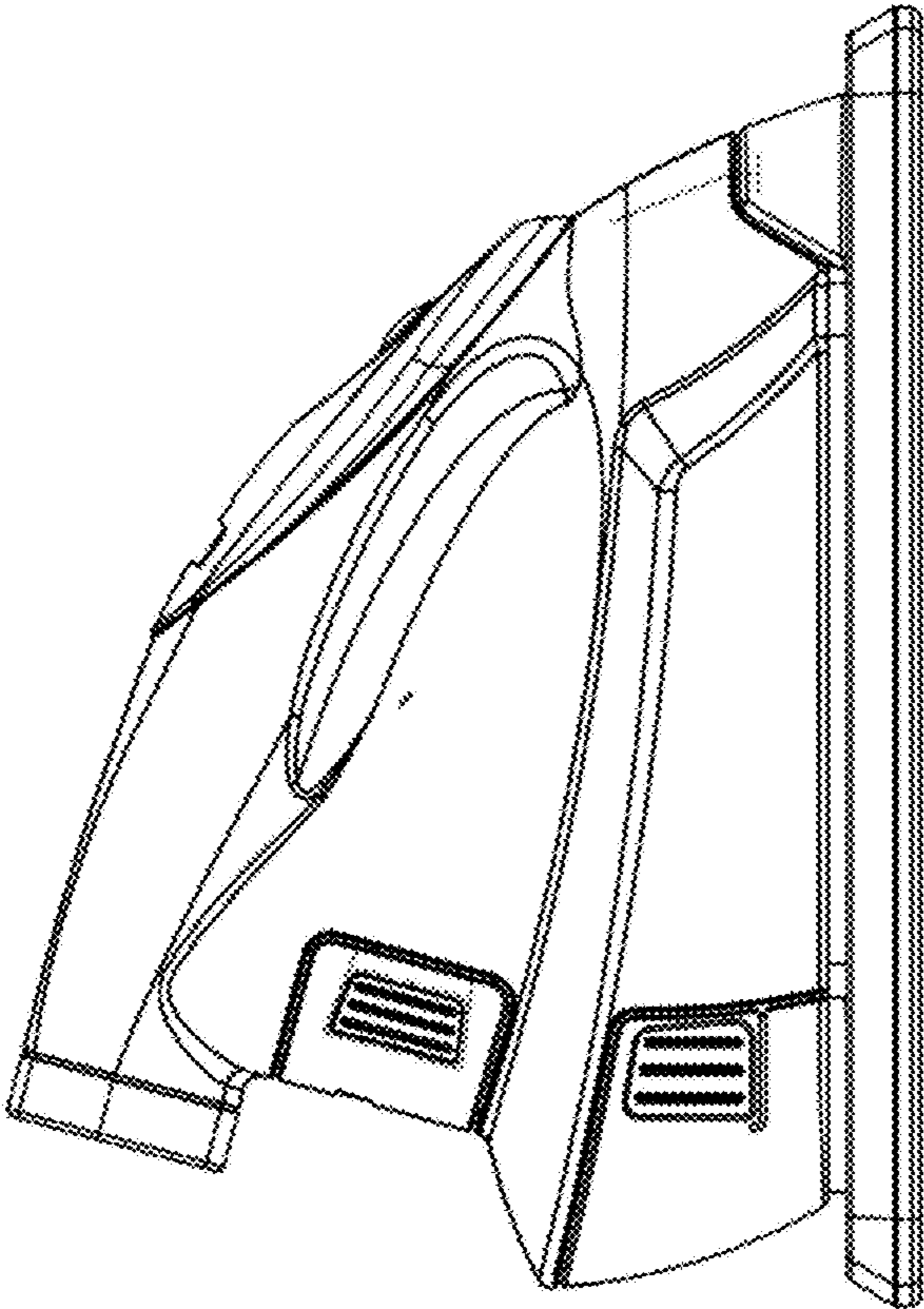


FIG. 4

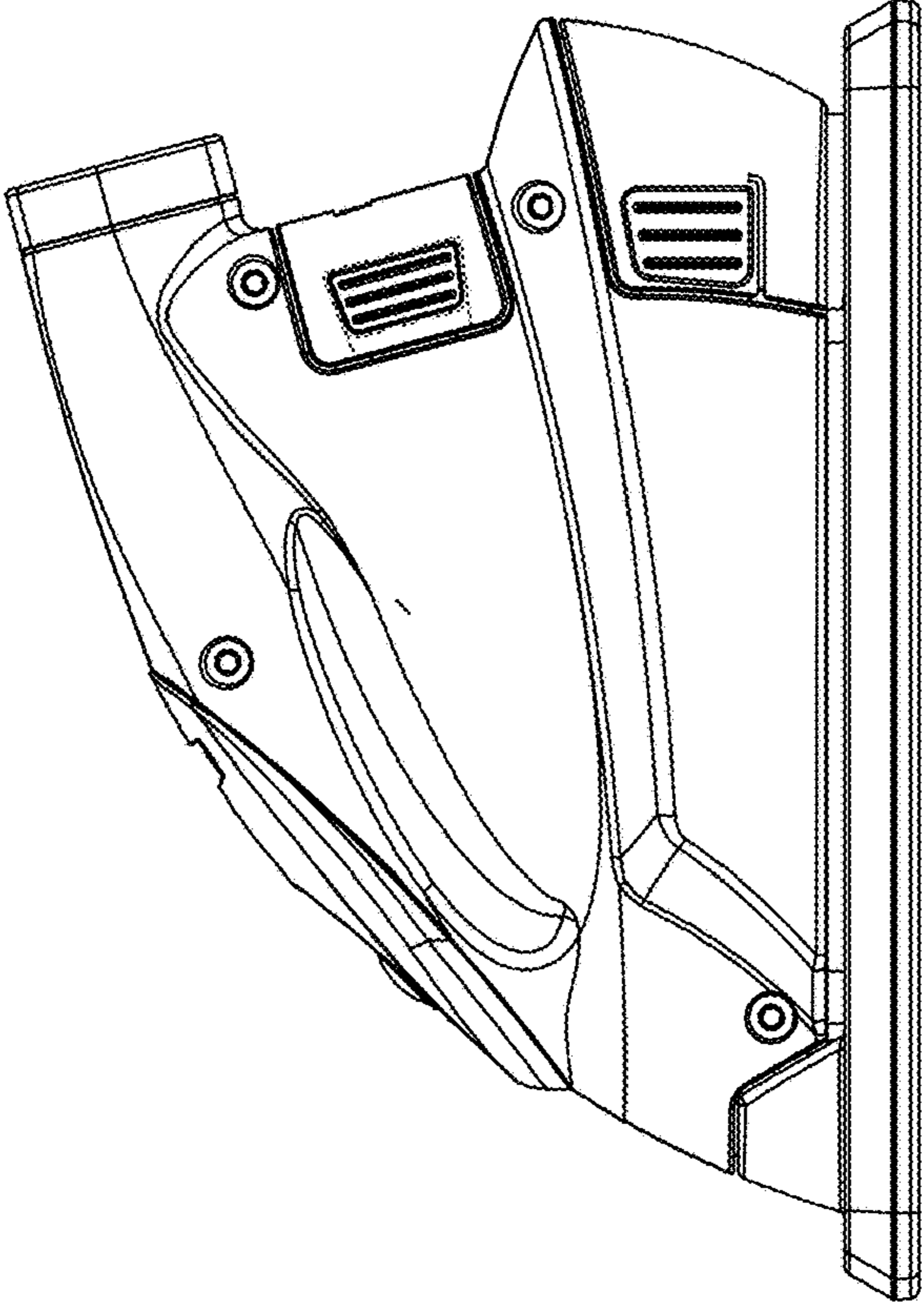


FIG. 5

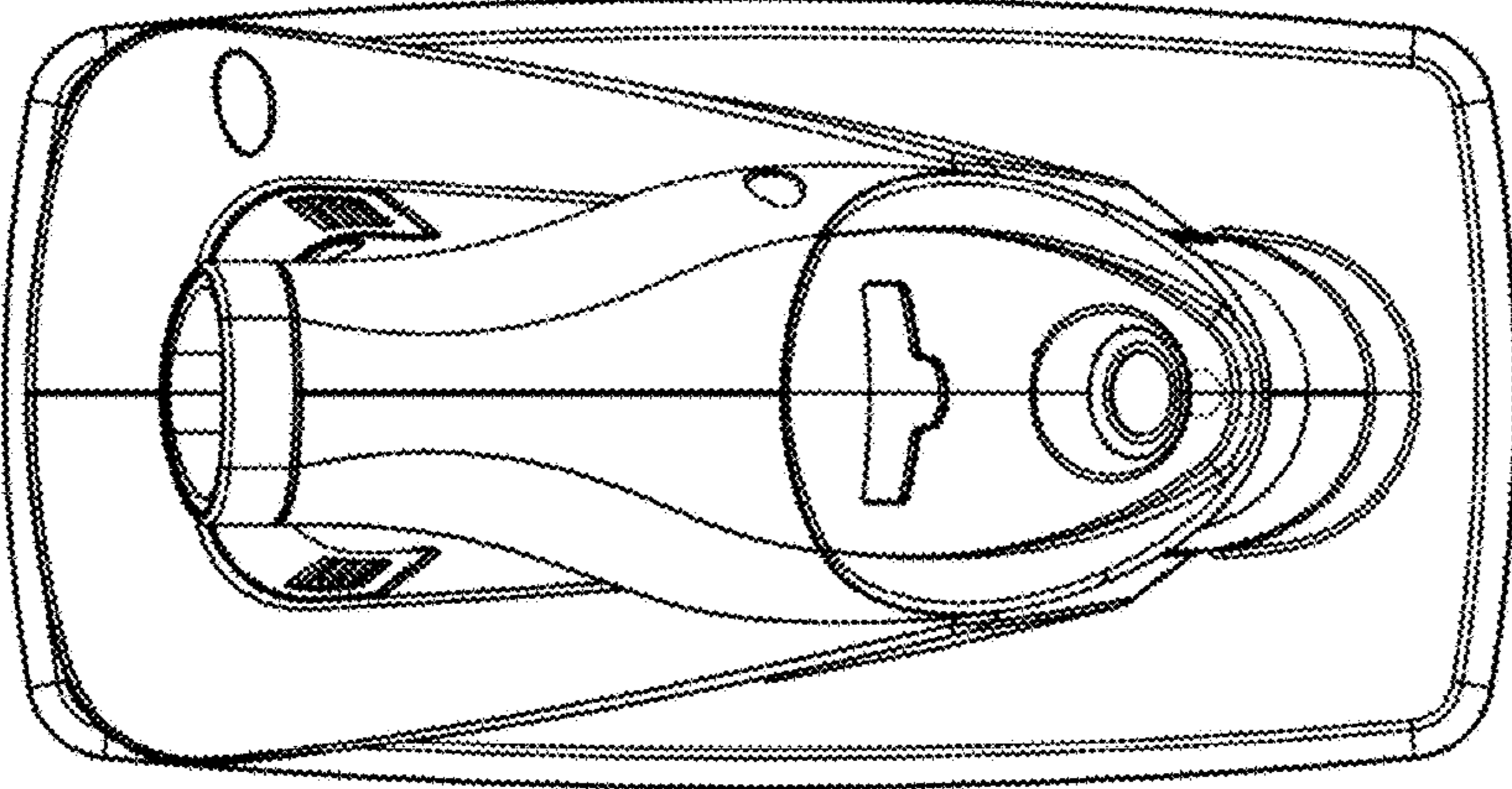


FIG. 6



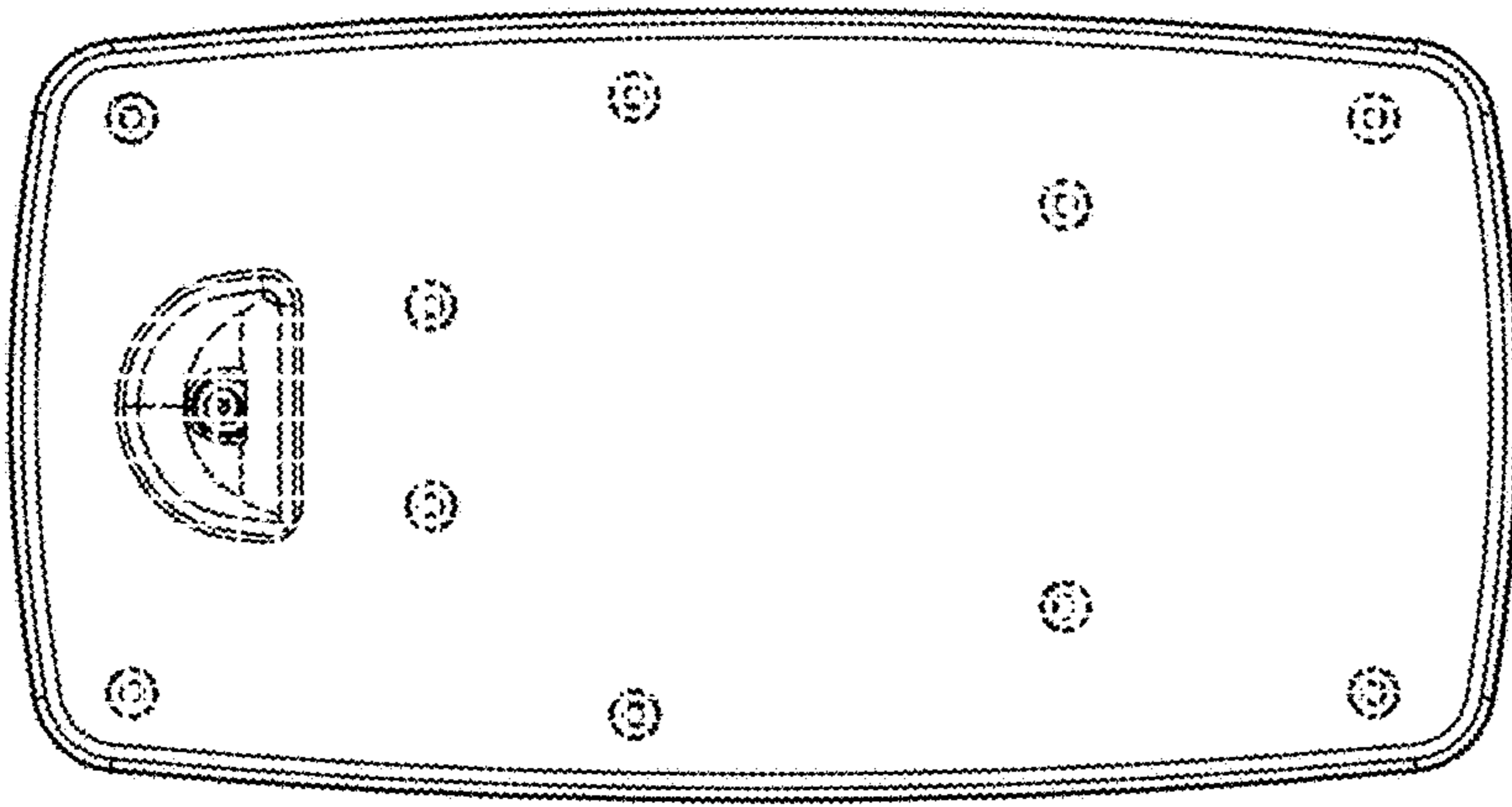


FIG. 7