



US00D840624S

(12) **United States Design Patent** (10) **Patent No.:** **US D840,624 S**
Yoo et al. (45) **Date of Patent:** **** Feb. 12, 2019**

(54) **CABINET WITH IRONING BOARD**

Primary Examiner — Ian Simmons

(71) Applicant: **LG ELECTRONICS INC.**, Seoul (KR)

Assistant Examiner — Khawaja Anwar

(74) *Attorney, Agent, or Firm* — Birch, Stewart, Kolasch & Birch, LLP

(72) Inventors: **Taewoo Yoo**, Seoul (KR); **Junghwan Lee**, Seoul (KR); **Kyungah Lee**, Seoul (KR); **Hyewon Kim**, Seoul (KR); **Jeaseok Seong**, Seoul (KR)

(57) **CLAIM**

The ornamental design for a cabinet with ironing board, as shown and described.

DESCRIPTION

(73) Assignee: **LG ELECTRONICS INC.**, Seoul (KR)

1. Cabinet with ironing board

(**) Term: **15 Years**

1.1 : Perspective

1.2 : Front

(21) Appl. No.: **35/504,079**

1.3 : Back

1.4 : Left

(22) Filed: **Jun. 7, 2017**

1.5 : Top

1.6 : Bottom

(80) **Hague Agreement Data**

Int. Filing Date: **Jun. 7, 2017**

1.7 : Perspective view 2

Int. Reg. No.: **DM/097601**

1.8 : Front view 2

Int. Reg. Date: **Jun. 7, 2017**

1.9 : Back view 2

Int. Reg. Pub. Date: **Dec. 8, 2017**

1.10 : Left view 2

1.11 : Top view 2

1.12 : Bottom view 2

(30) **Foreign Application Priority Data**

Dec. 7, 2016 (KR) 30-2016-0059350

1.13 : Perspective view 3

1.14 : Front view 3

1.15 : Back view 3

1.16 : Left view 3

1.17 : Top view 3

1.18 : Bottom view 3

1.19 : Perspective view 4

(51) **LOC (11) Cl.** **07-05**

1.20 : Front view 4

(52) **U.S. Cl.**
USPC **D32/66**

1.21 : Back view 4

1.22 : Left view 4

1.23 : Top view 4

1.24 : Bottom view 4

(58) **Field of Classification Search**
USPC D32/9, 12, 25, 35, 66; D6/671.1, 349, D6/351, 352, 358, 360, 361, 364, 365,
(Continued)

The broken lines depict portions of the cabinet with ironing board that form no part of the claimed design; the dash-dot broken lines define the bounds of the claimed design and form no part thereof; reproduction 1.1 is a front perspective view of the cabinet with ironing board; reproduction 1.7 is a front perspective view thereof in a condition that the top drawer has been open; reproduction 1.13 is a front perspective view of reproductions 1.7 in a condition that the ironing

(56) **References Cited**

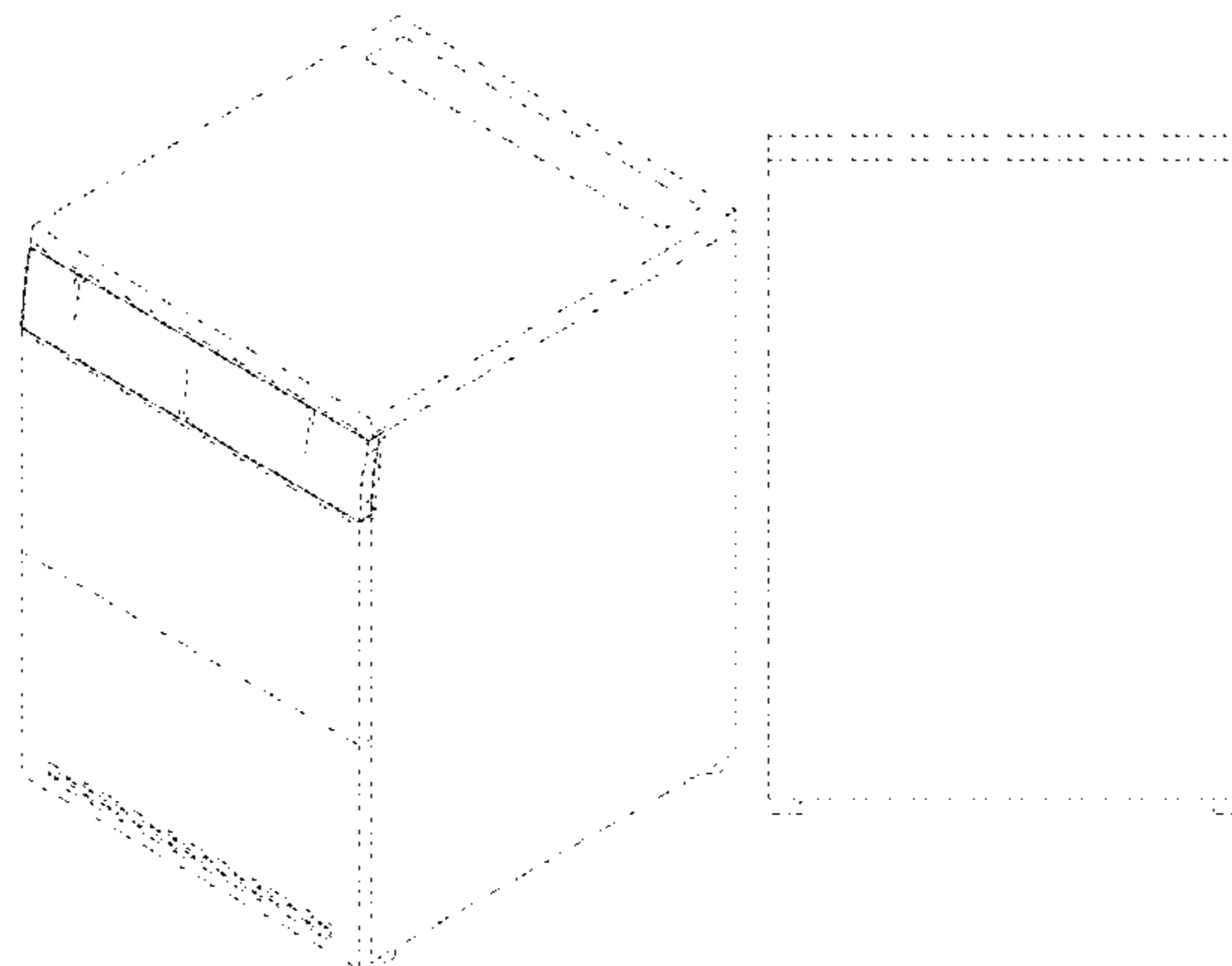
U.S. PATENT DOCUMENTS

D316,169 S * 4/1991 Bryan D32/66

D330,986 S * 11/1992 Lau D32/66

(Continued)

(Continued)



board has been pulled out; reproduction 1.19 is a front perspective view of reproduction 1.13 in a condition that the folding ironing board has been completely unfolded; reproductions 1.2, 1.8, 1.14 and 1.20 are the front views of the reproductions 1.1, 1.7, 1.13 and 1.19, respectively; reproductions 1.3, 1.9, 1.15 and 1.21 are the back views of the reproductions 1.1, 1.7, 1.13 and 1.19, respectively; reproductions 1.4, 1.10, 1.16 and 1.22 are the left views of the reproductions 1.1, 1.7, 1.13 and 1.19, respectively where the right views are mirror images; reproductions 1.5, 1.11, 1.17 and 1.23 are the top views of the reproductions 1.1, 1.7, 1.13 and 1.19, respectively; reproductions 1.6, 1.12, 1.18 and 1.24 are the bottom views of the reproductions 1.1, 1.7, 1.13 and 1.19, respectively.

1 Claim, 24 Drawing Sheets

(58) **Field of Classification Search**

USPC D6/366, 374, 375, 379, 380, 559-561,
D6/611, 632, 357, 668.1, 668.2, 669, 671,
D6/672, 674, 675, 675.1, 675.3, 683,
D6/638.1

CPC D06F 58/02; D06F 75/20; D06F 29/00;
D06F 29/005; D06F 29/02; D06F 35/00;
D06F 37/04; D06F 39/005; D06F 39/02;
D06F 39/088; D06F 39/12; D06F 39/125;
D06F 58/203; D06F 75/14; D06F 75/16;
D06F 75/24; D06F 75/26; D06F 75/38;
D06F 81/06; D06F 93/00; D06F 25/00;
D06F 39/008; D06F 59/02; D06F 67/04;
D06F 73/00; D06F 73/02; D06F 75/08;
D06F 75/10; D06F 75/246; D06F 75/265;
D06F 75/40; D06F 79/00

See application file for complete search history.

(56)

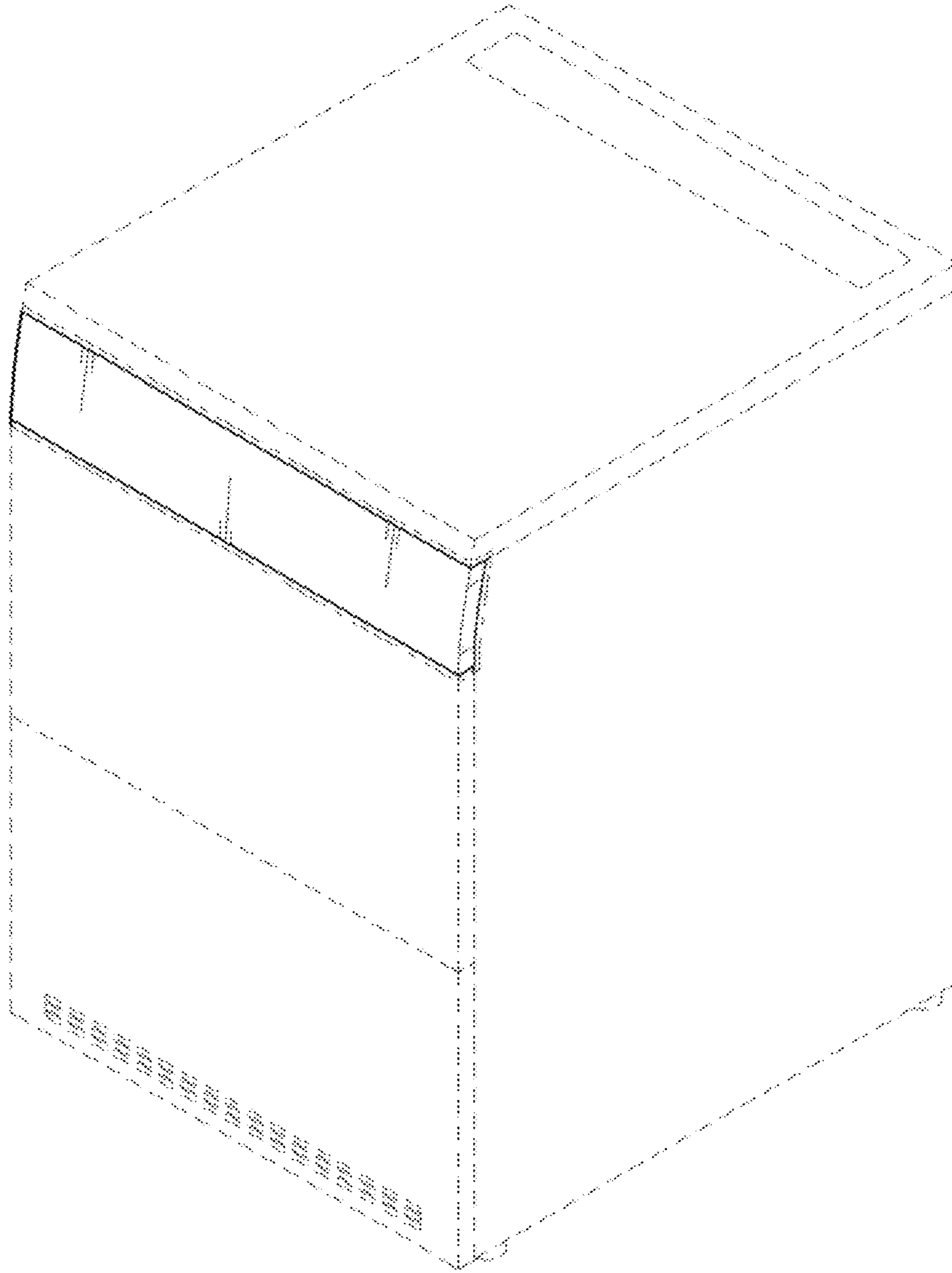
References Cited

U.S. PATENT DOCUMENTS

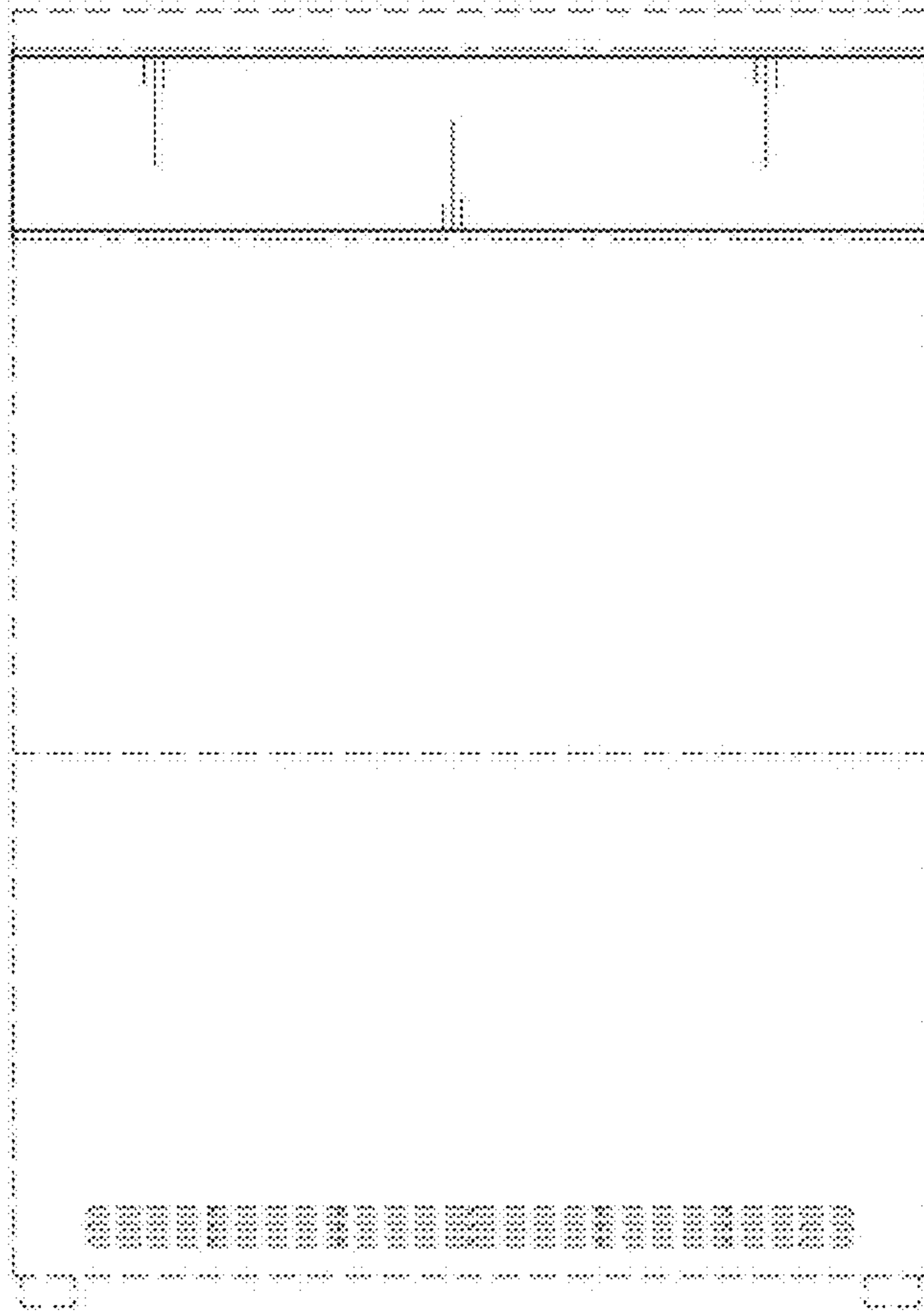
7,555,856	B2 *	7/2009	Sunshine	A47B 46/00 38/104
D608,515	S *	1/2010	Park	D32/66
D686,384	S *	7/2013	Fosburgh	D32/66
D734,042	S *	7/2015	Williams	D6/336
D766,000	S *	9/2016	Williams	D6/336
2005/0204592	A1 *	9/2005	Obileye	A47B 77/10 38/137

* cited by examiner

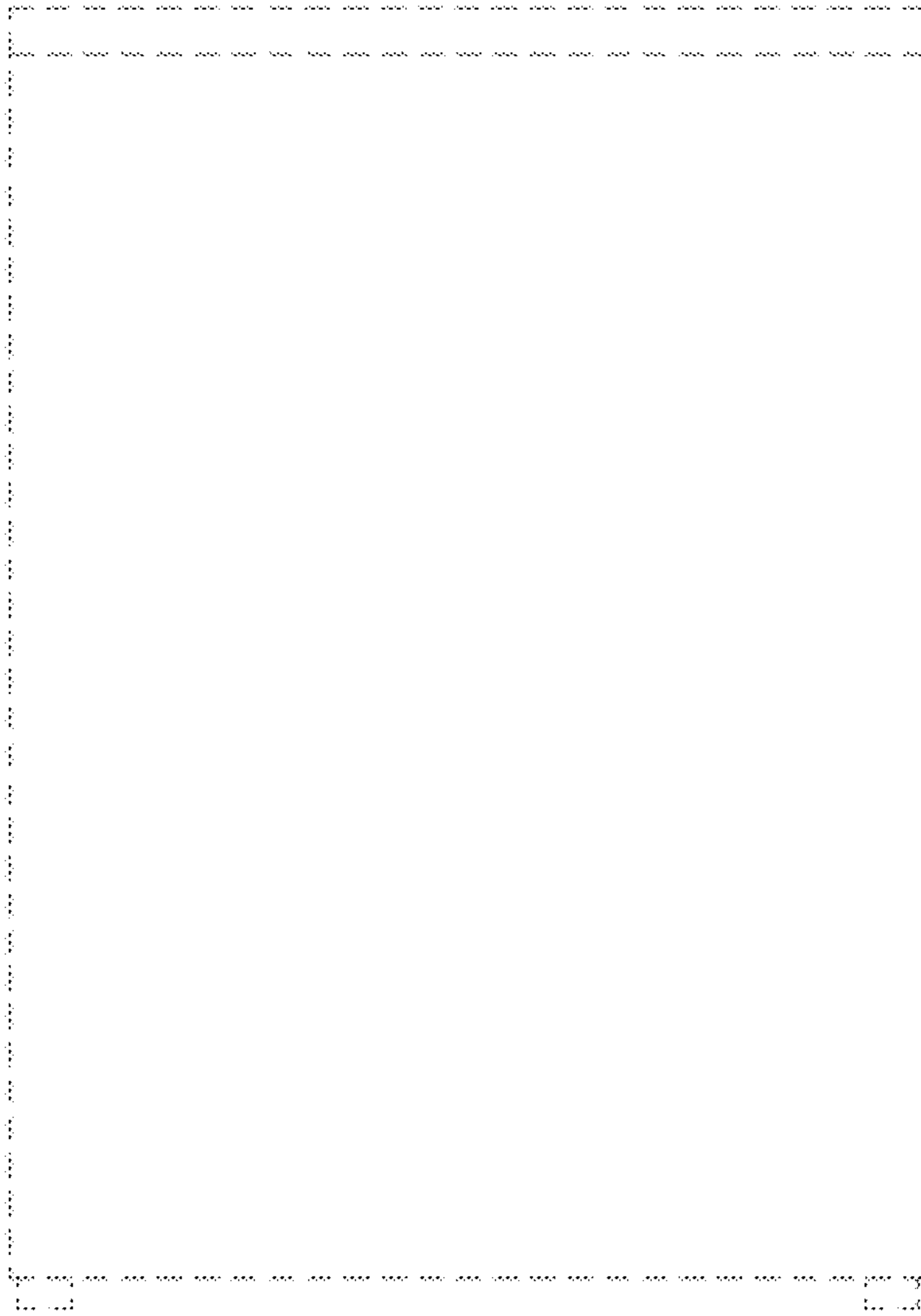
1.1



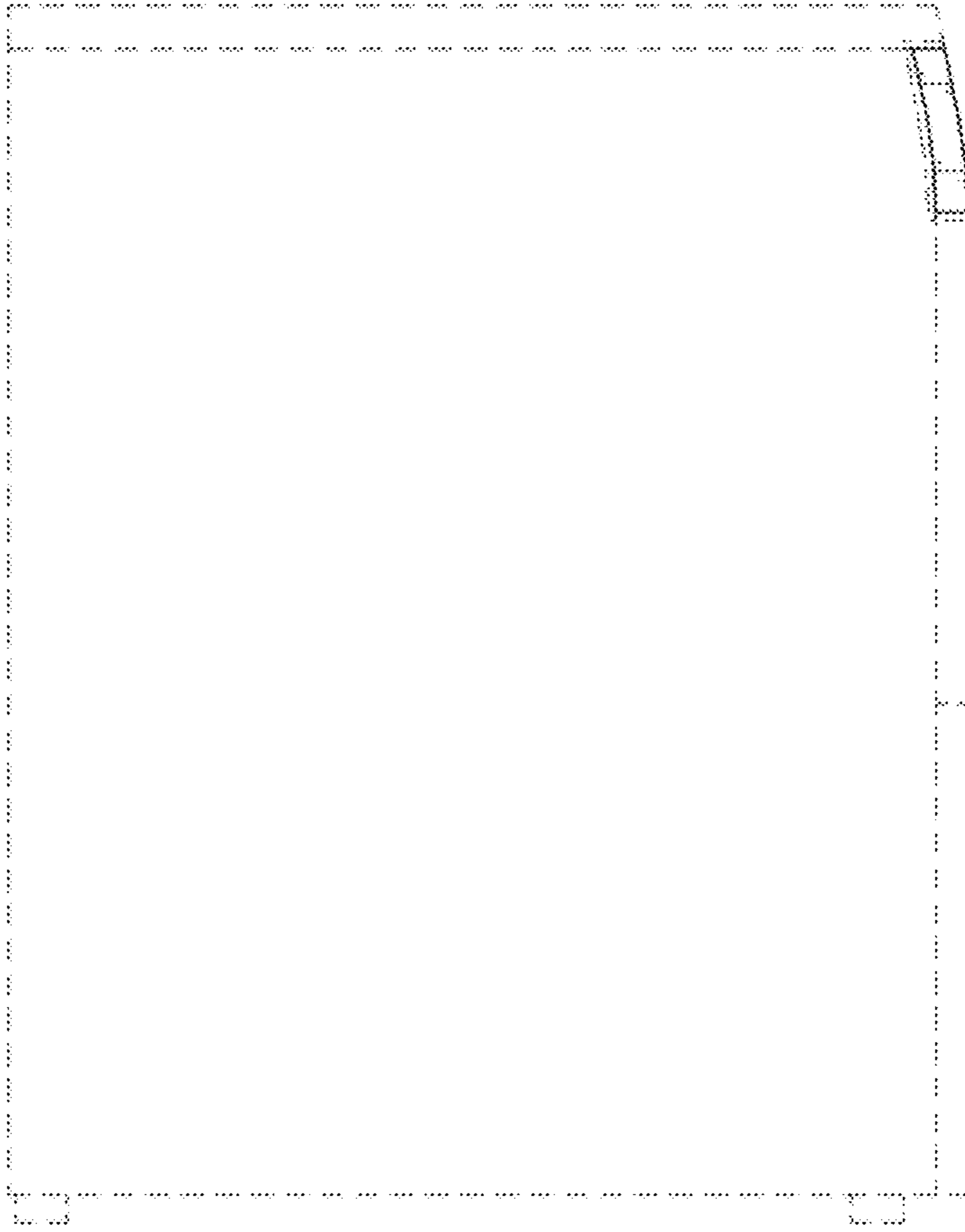
1.2



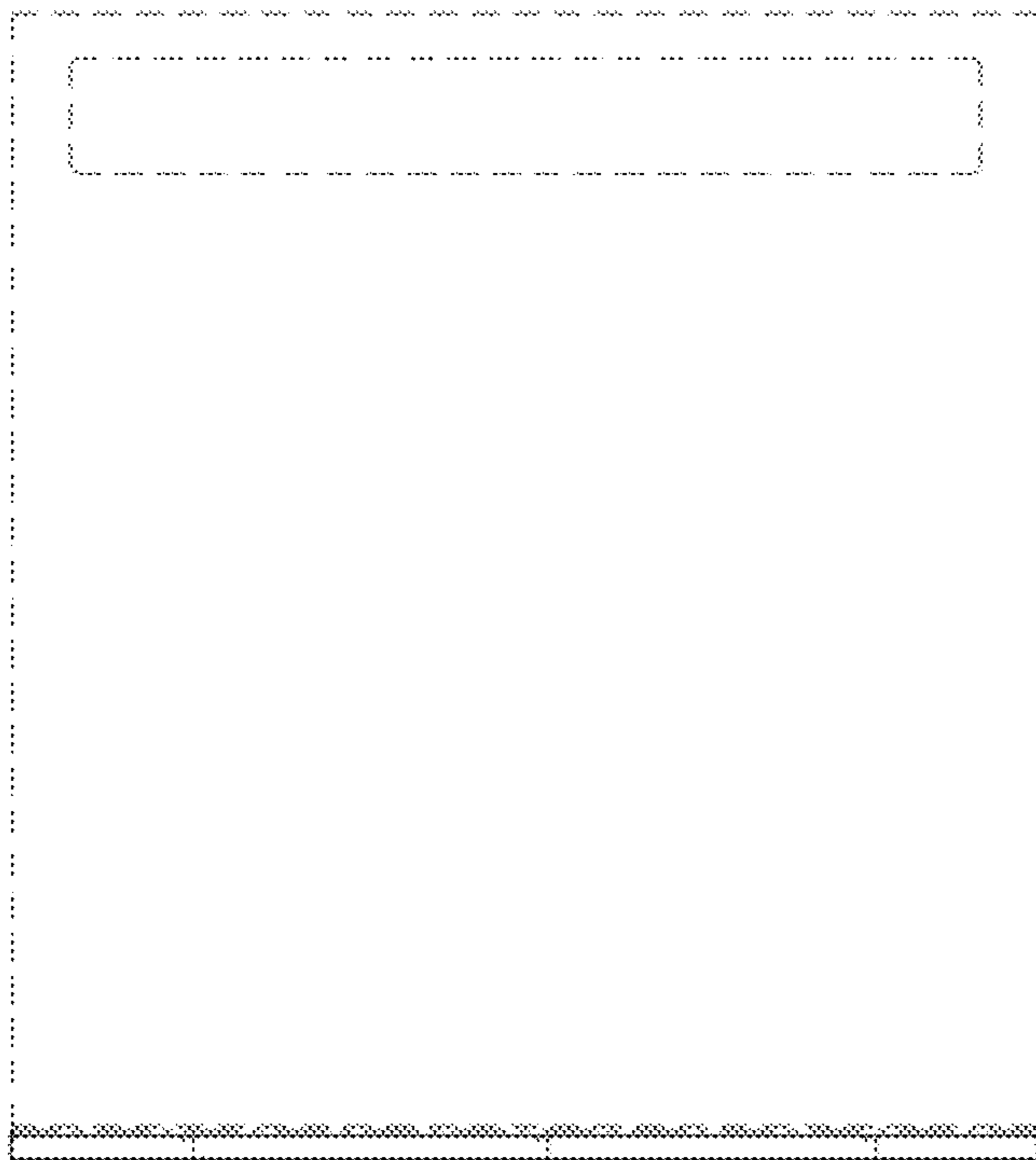
1.3



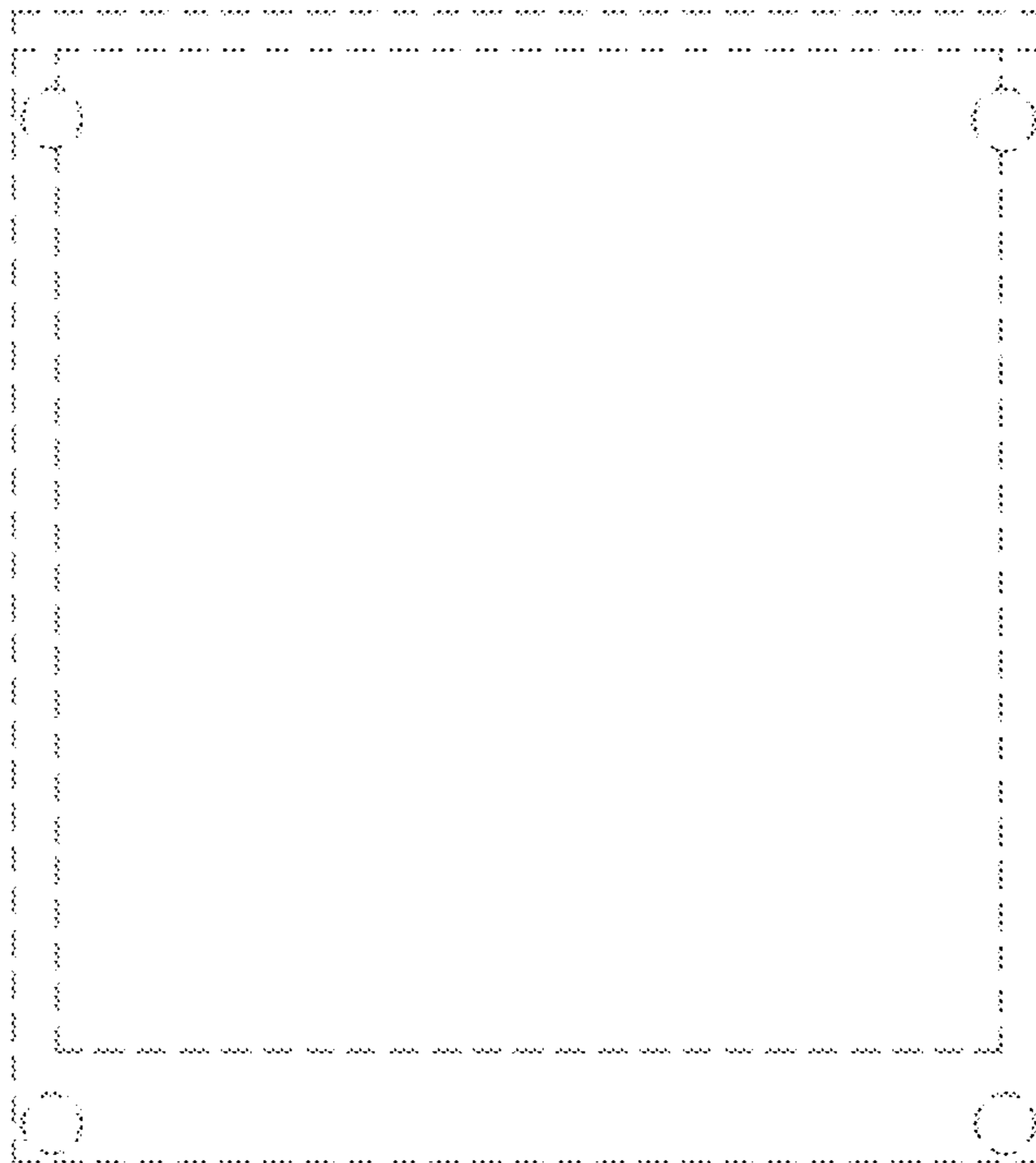
1.4



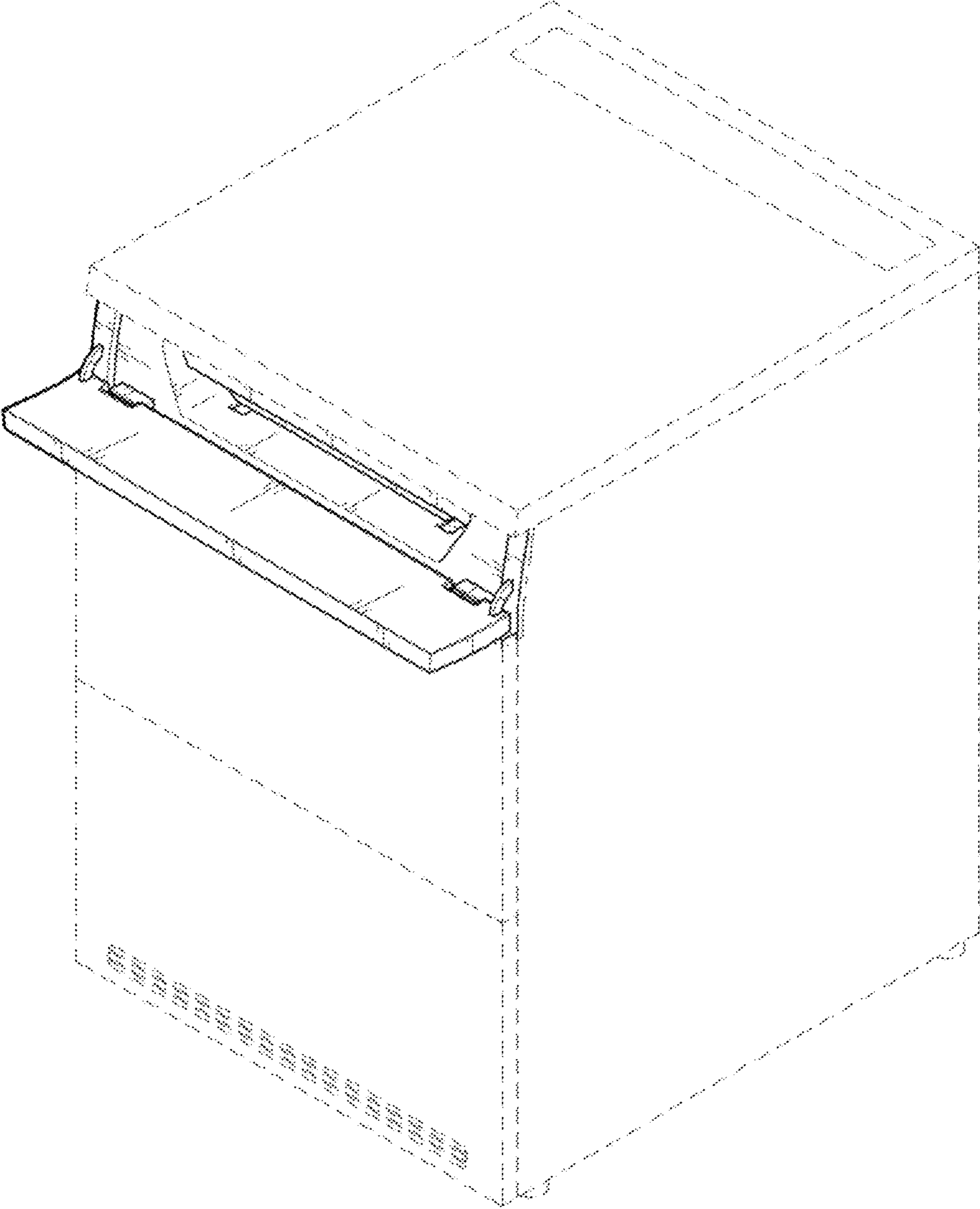
1.5



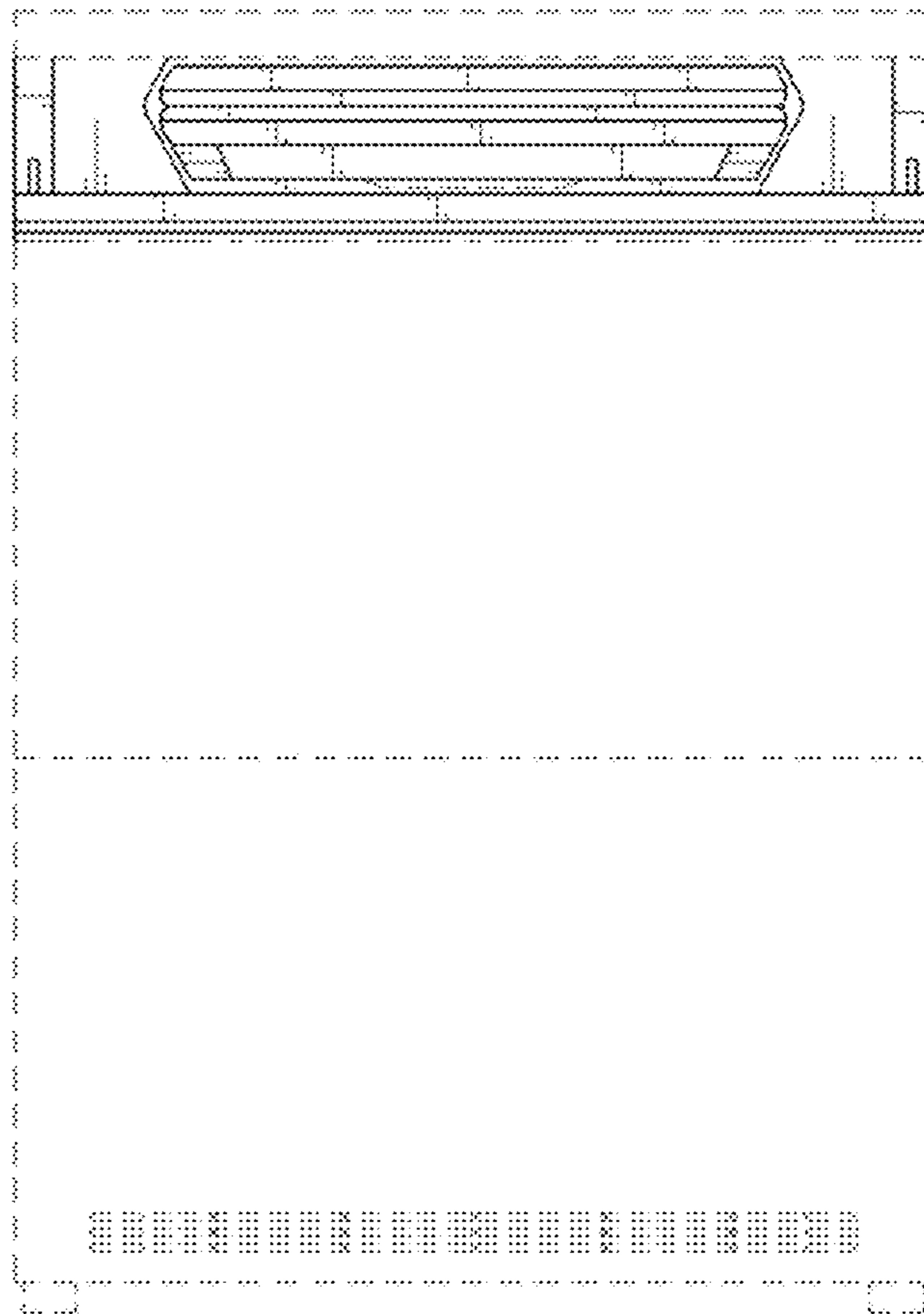
1.6



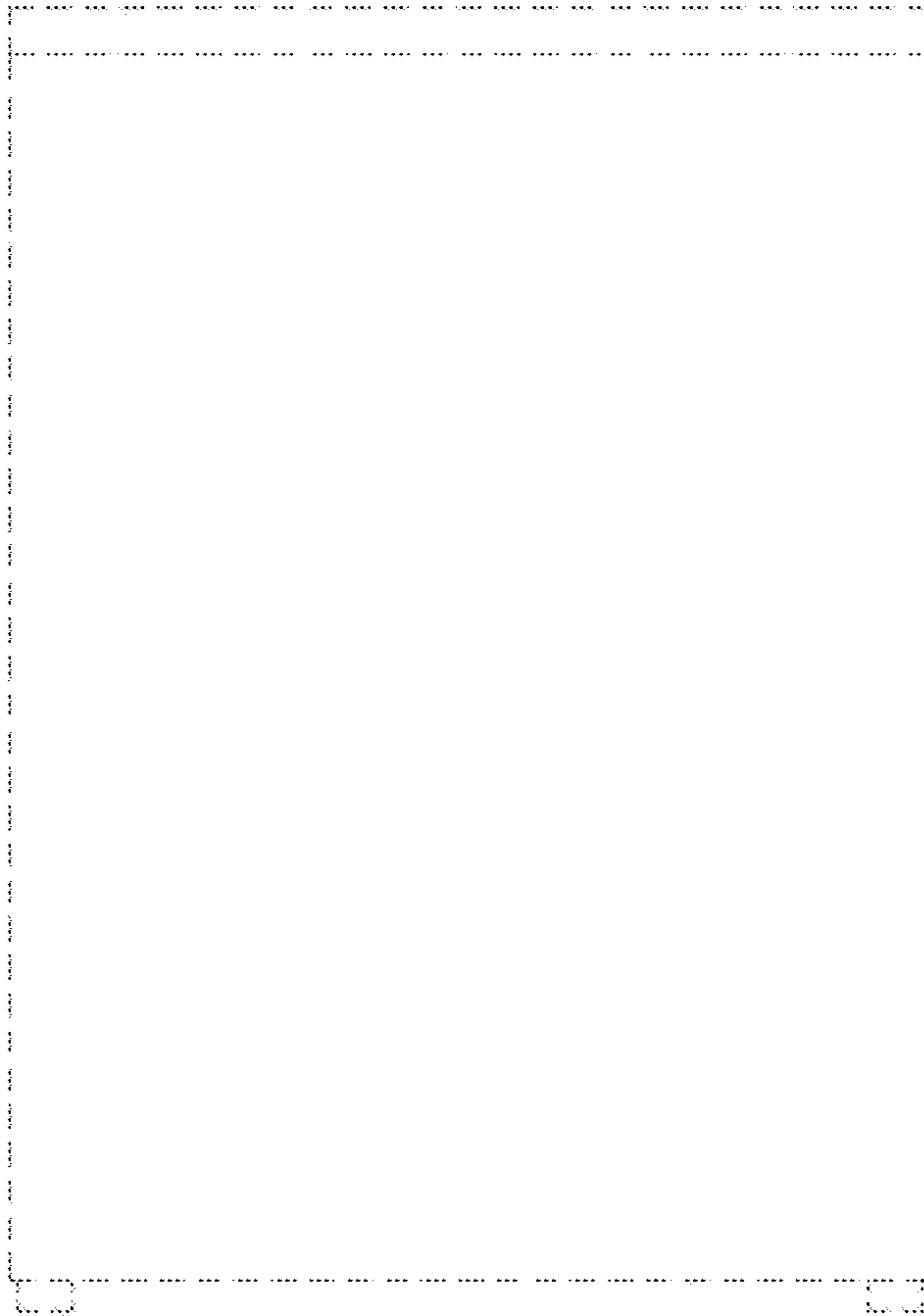
1.7



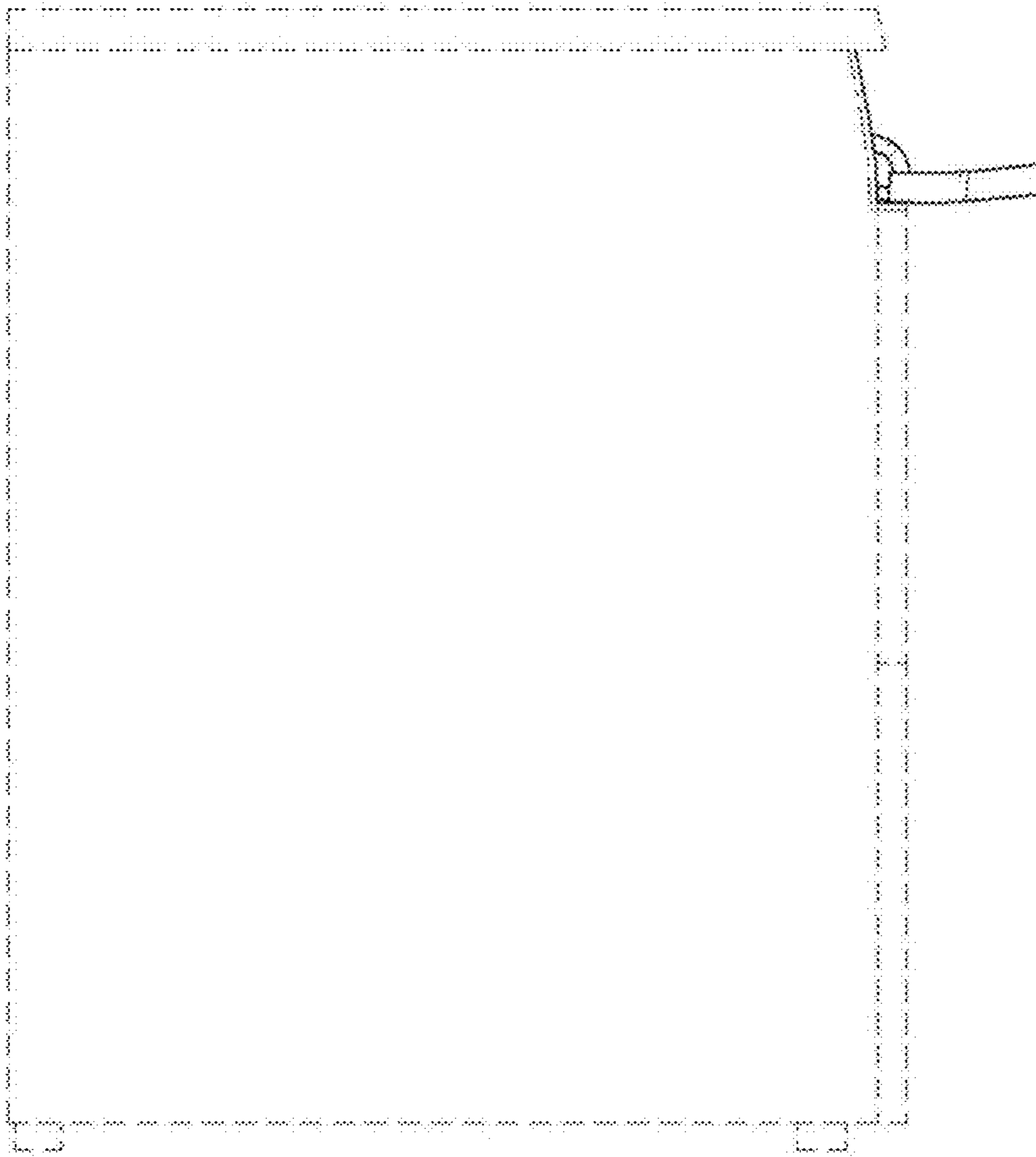
1.8



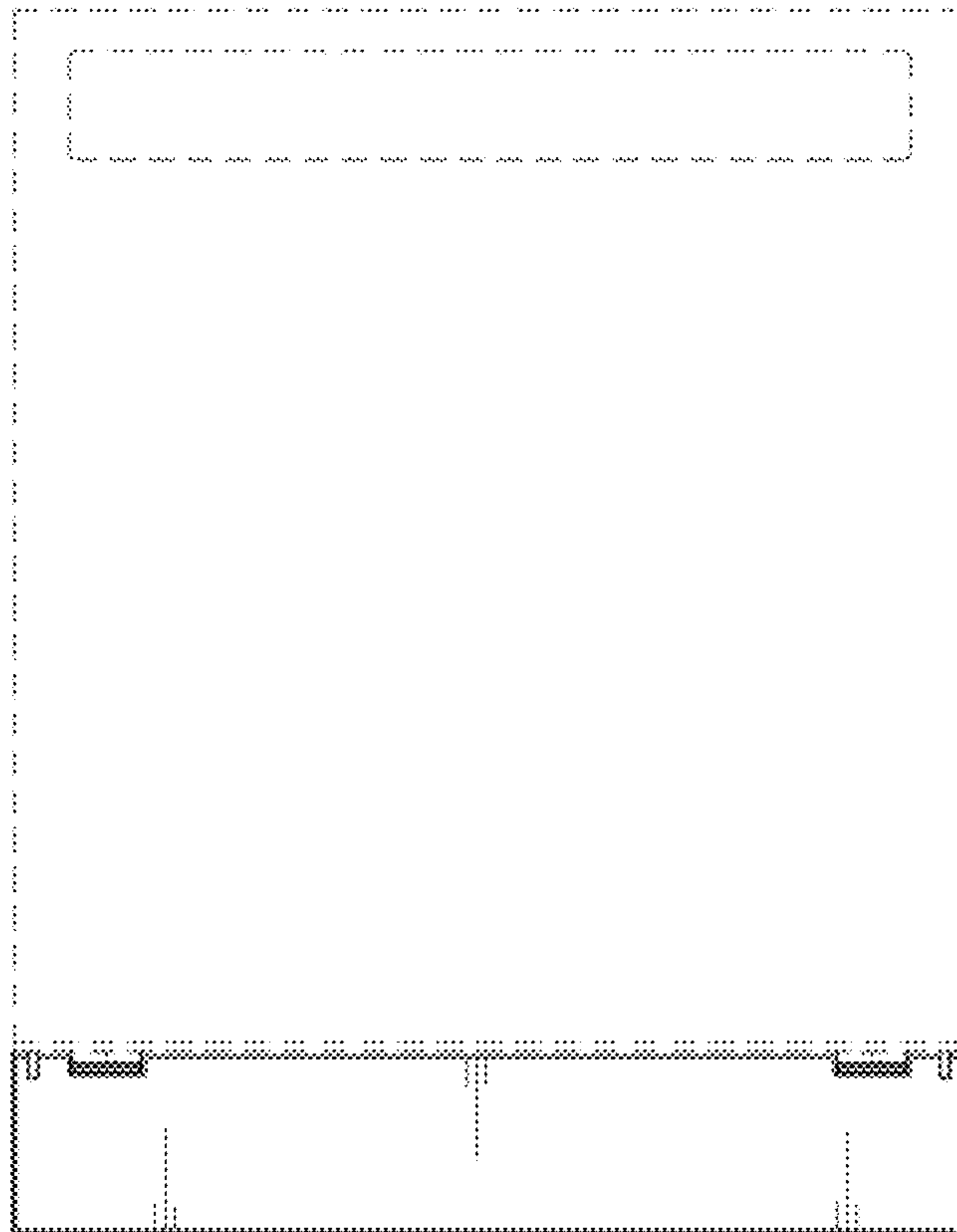
1.9



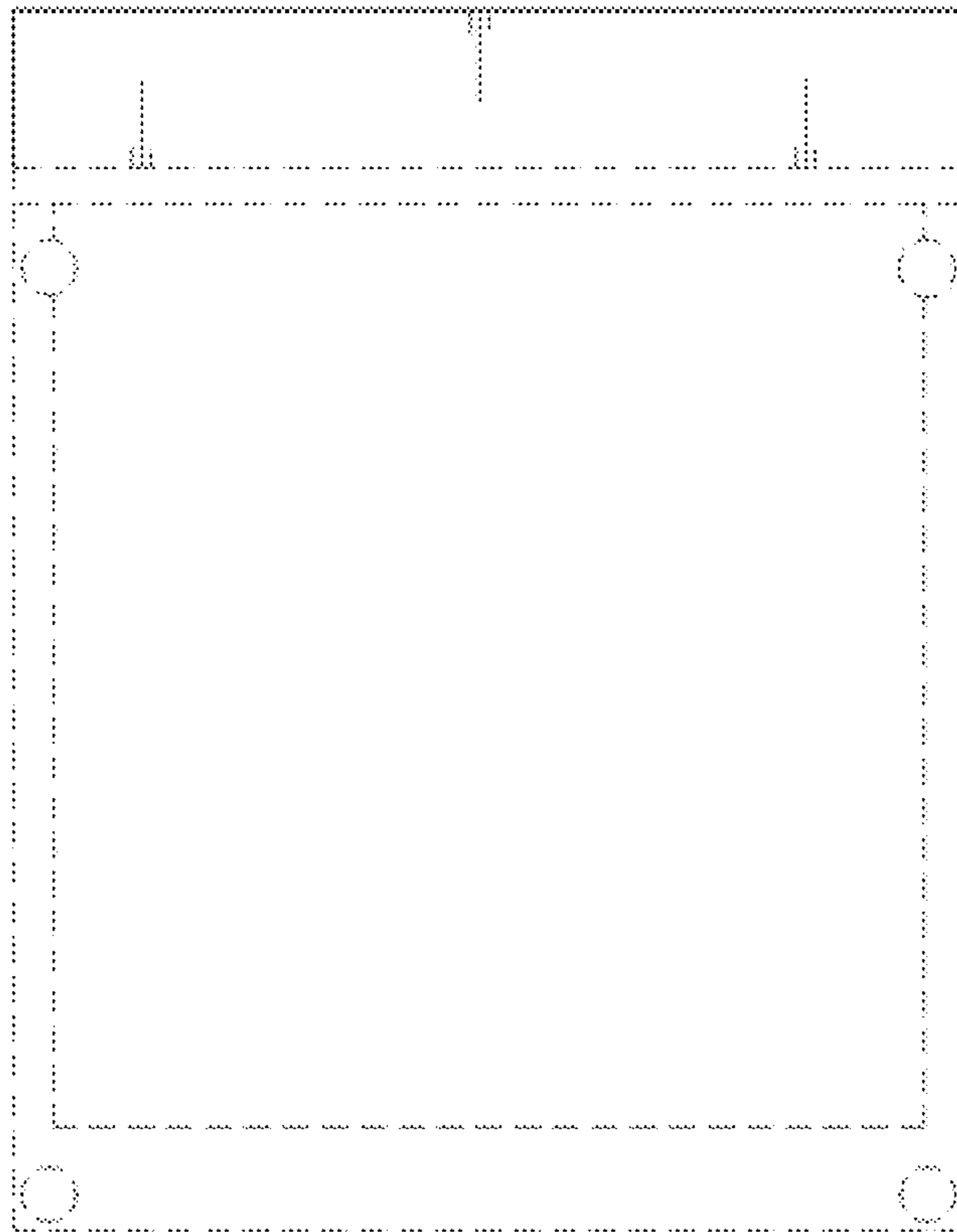
1.10



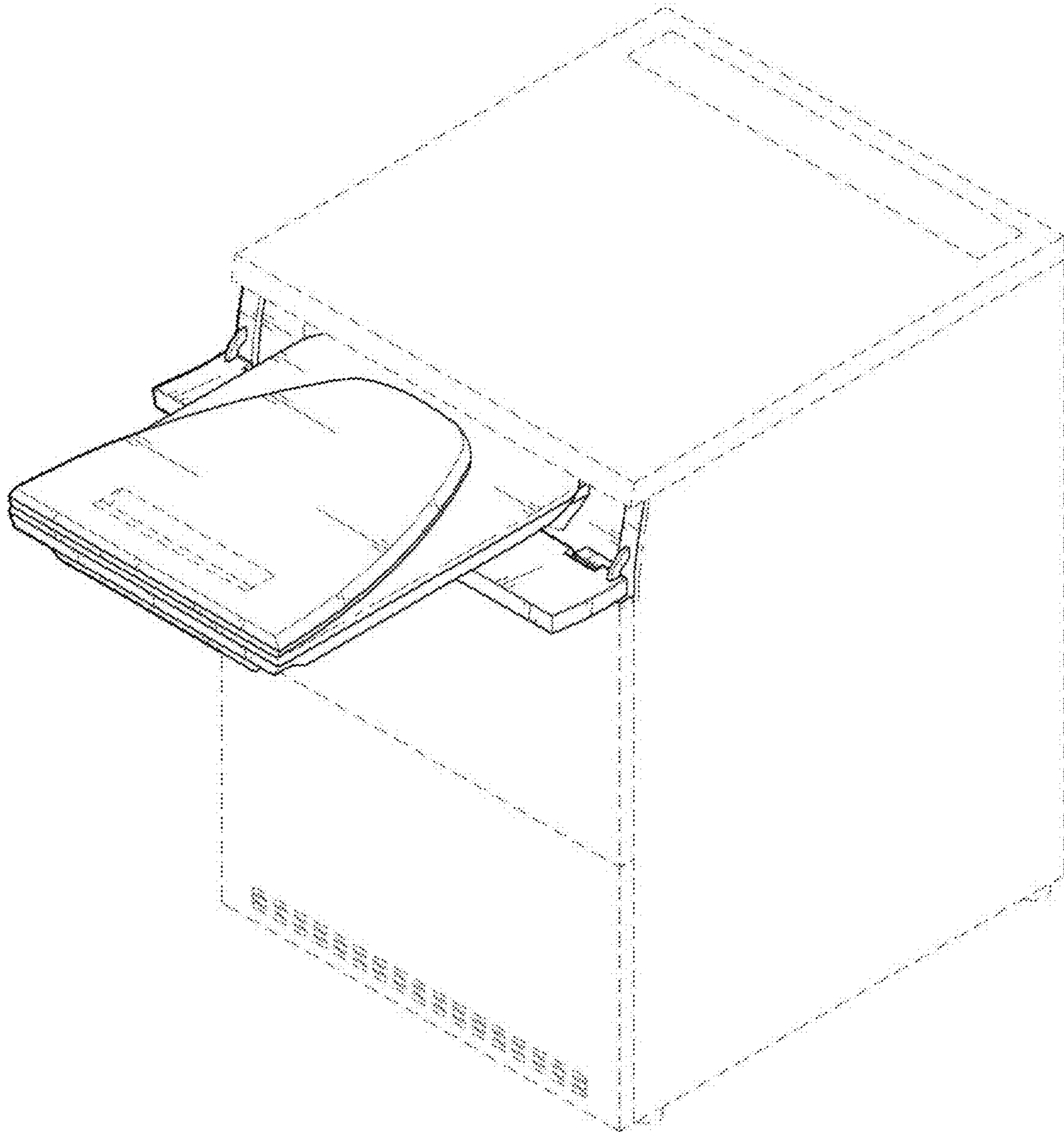
1.11



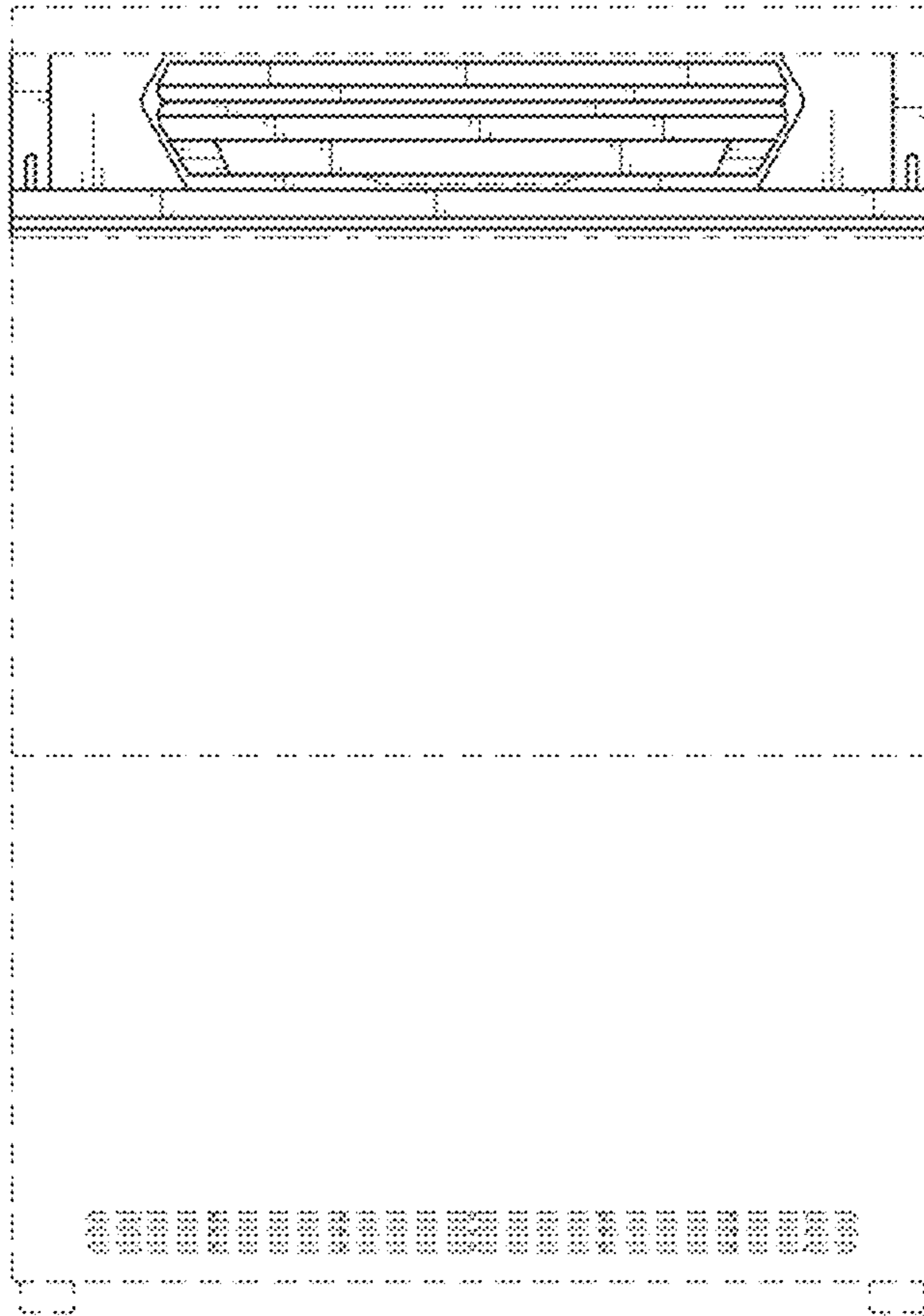
1.12



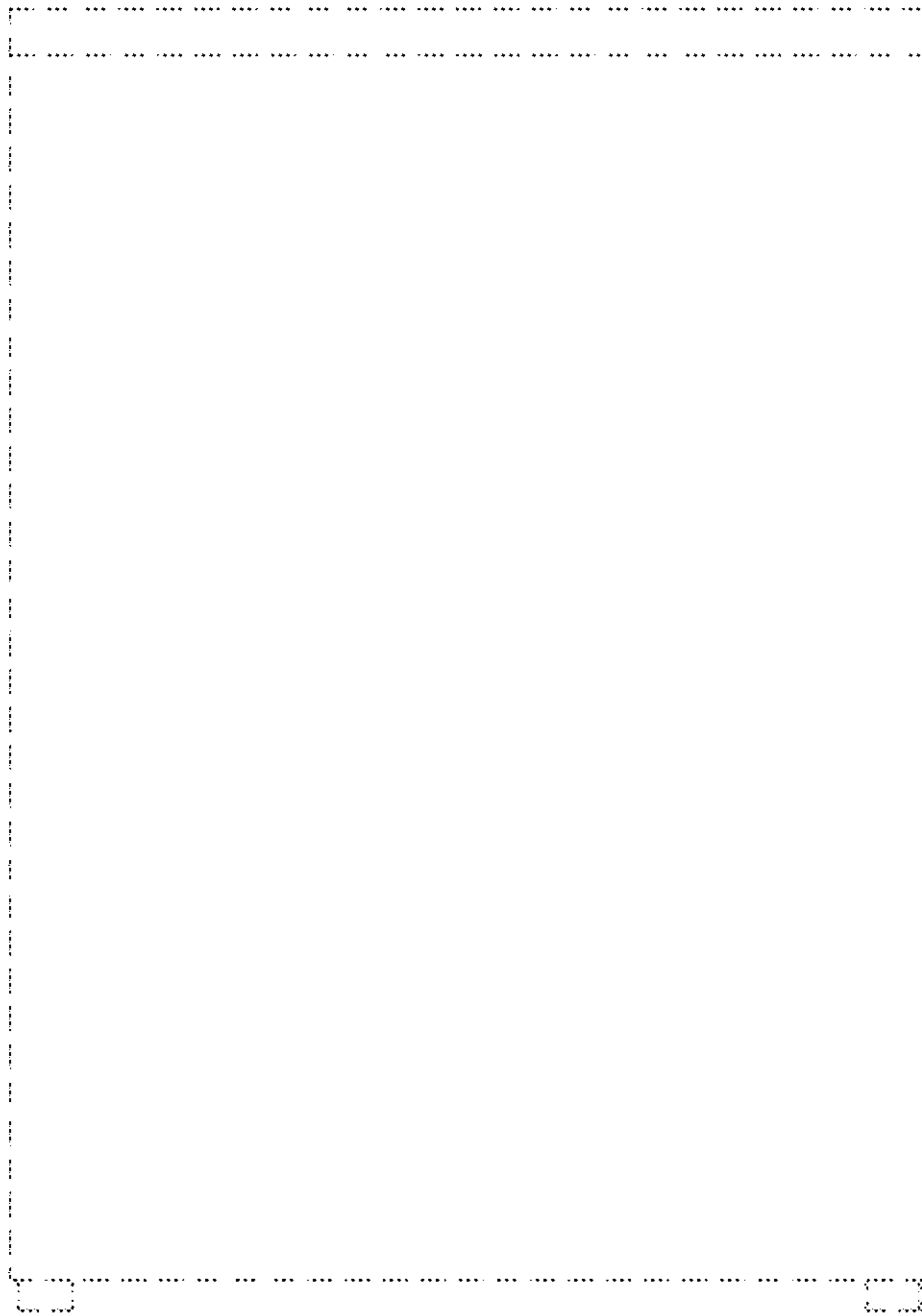
1.13



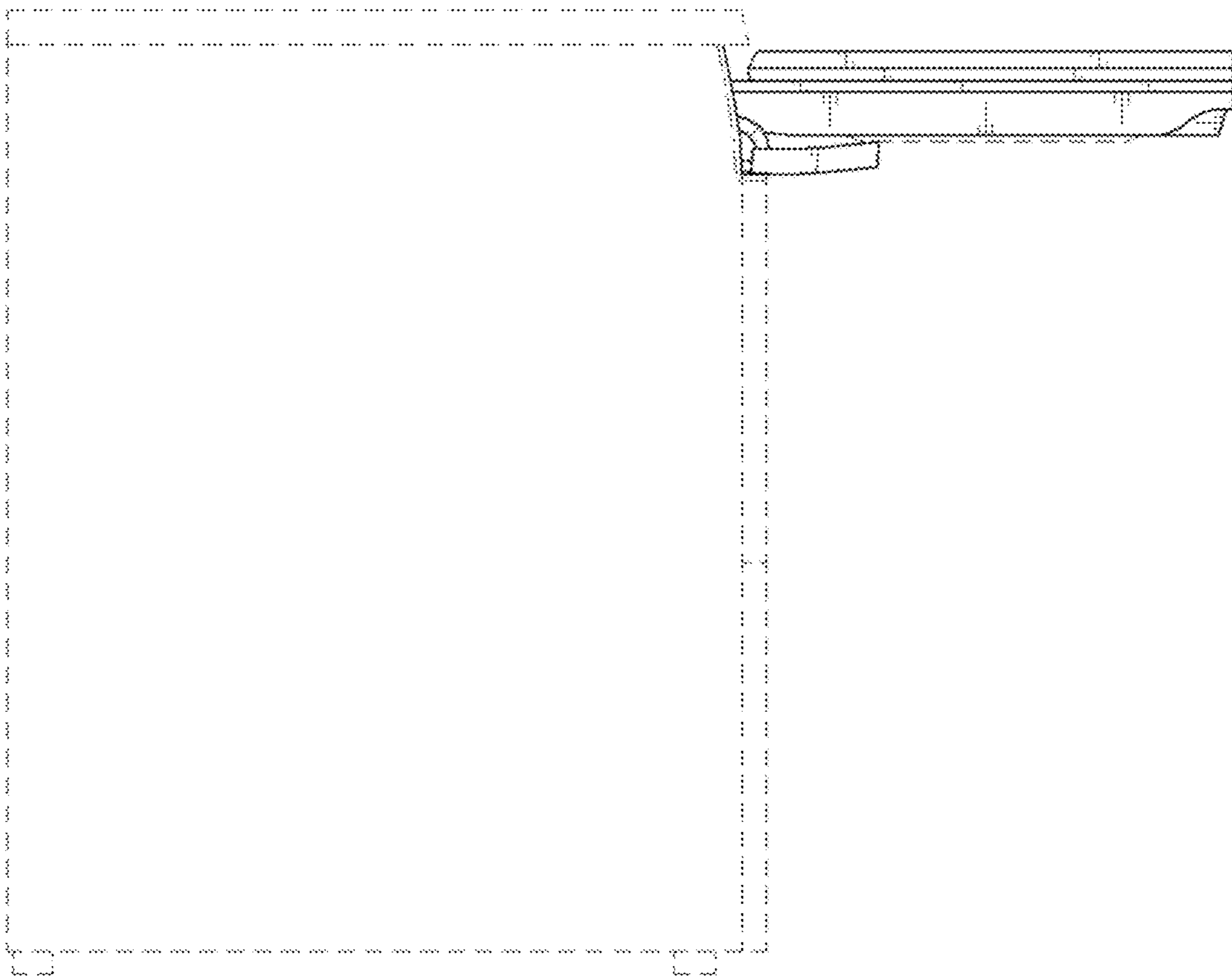
1.14



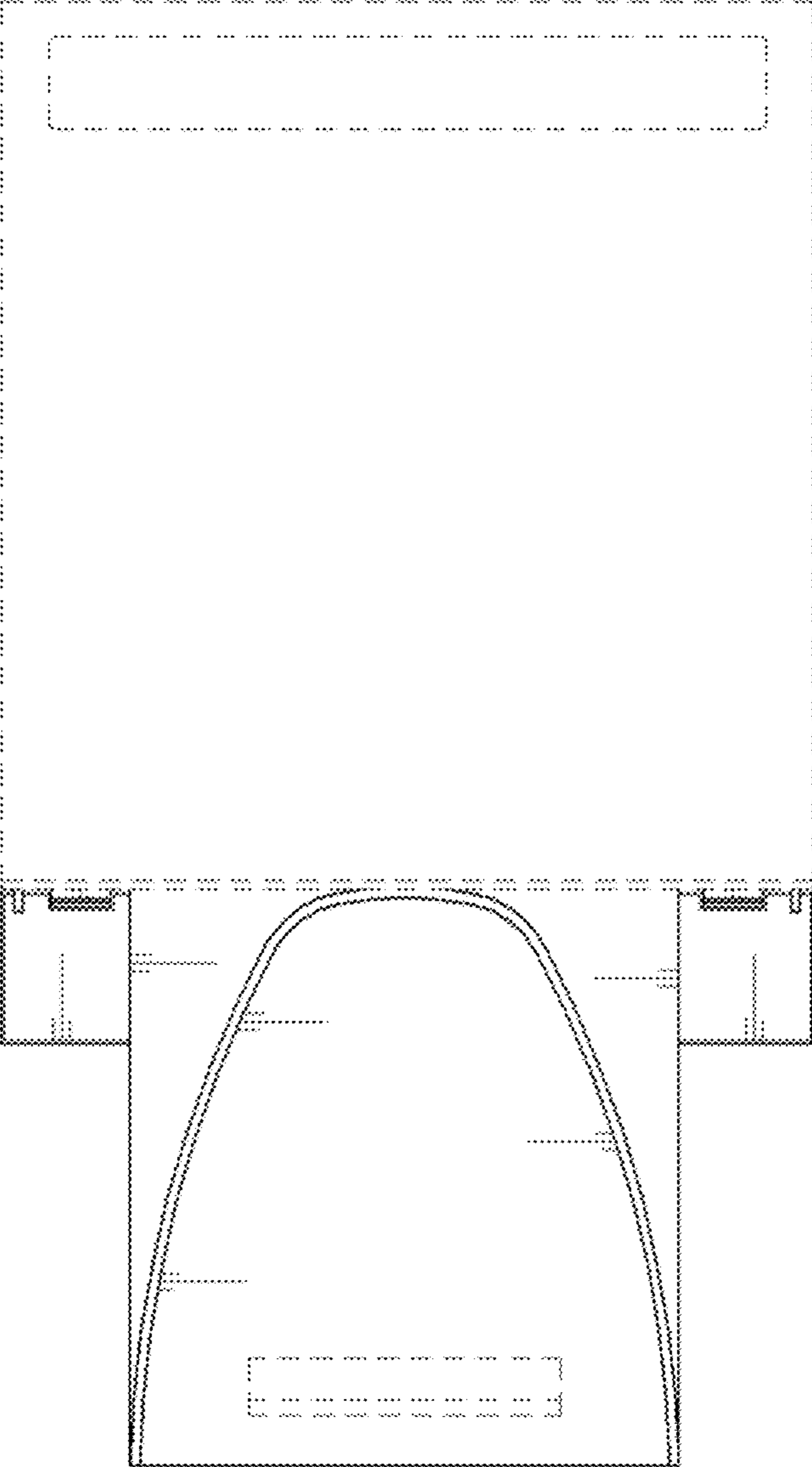
1.15



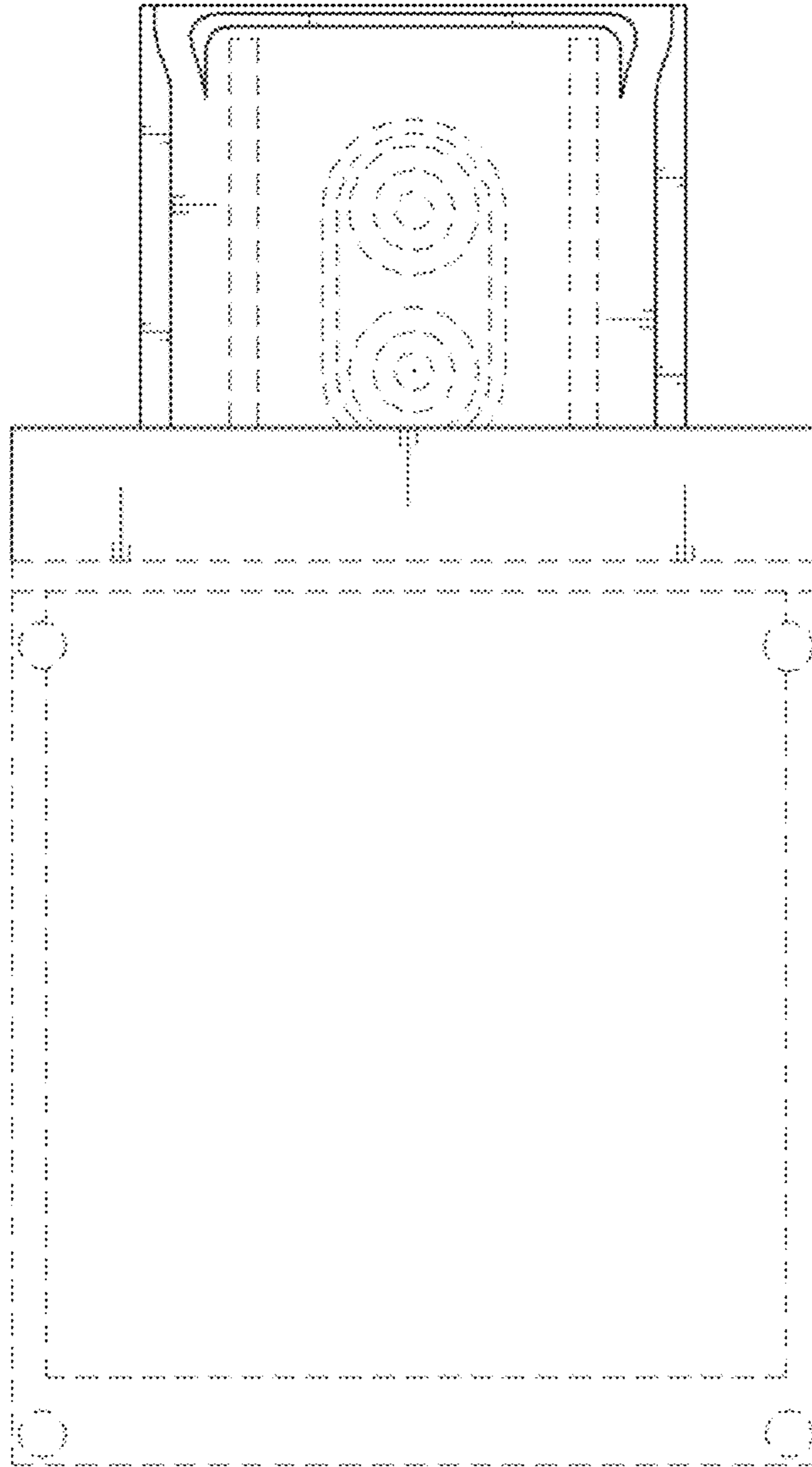
1.16



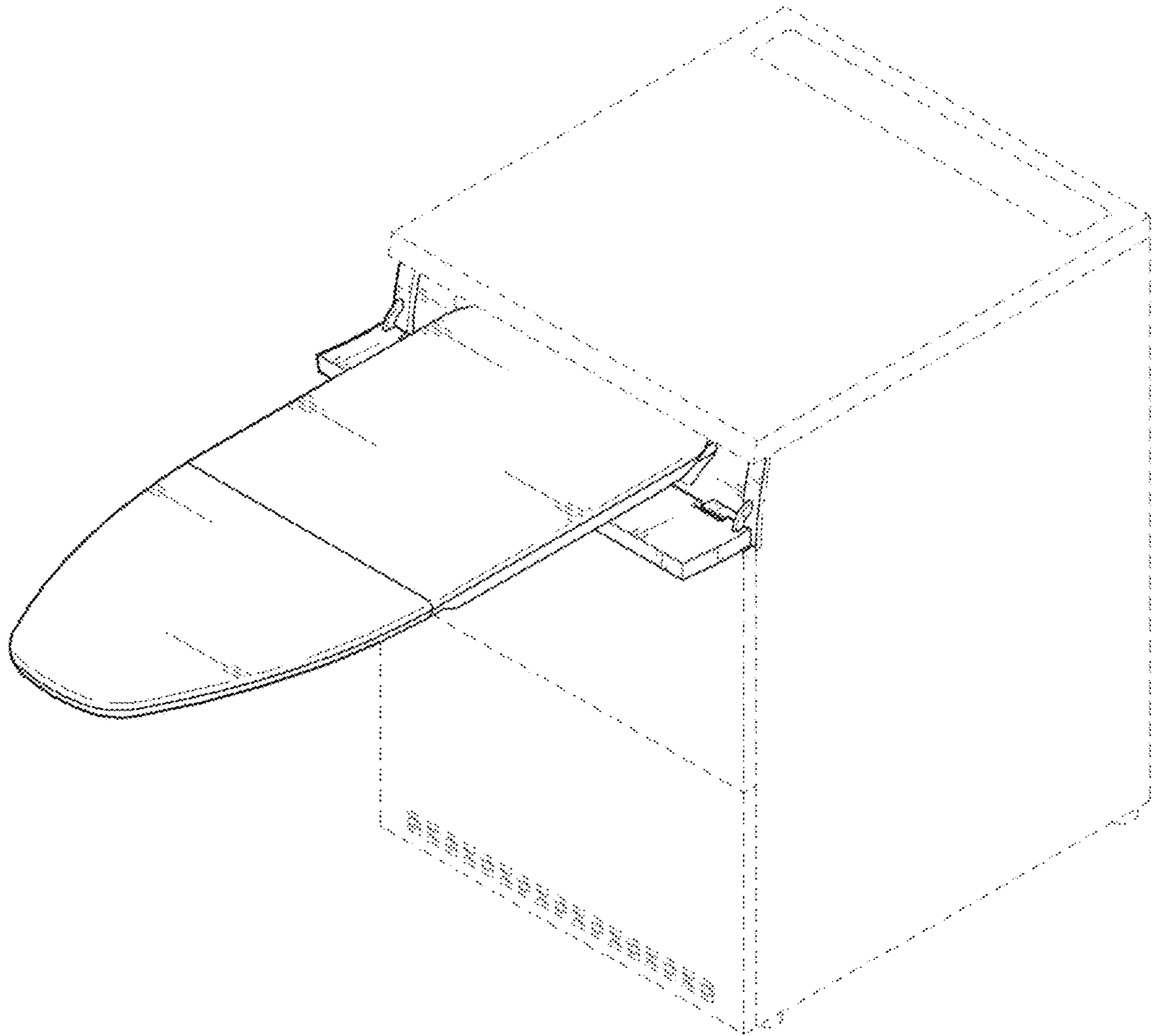
1.17



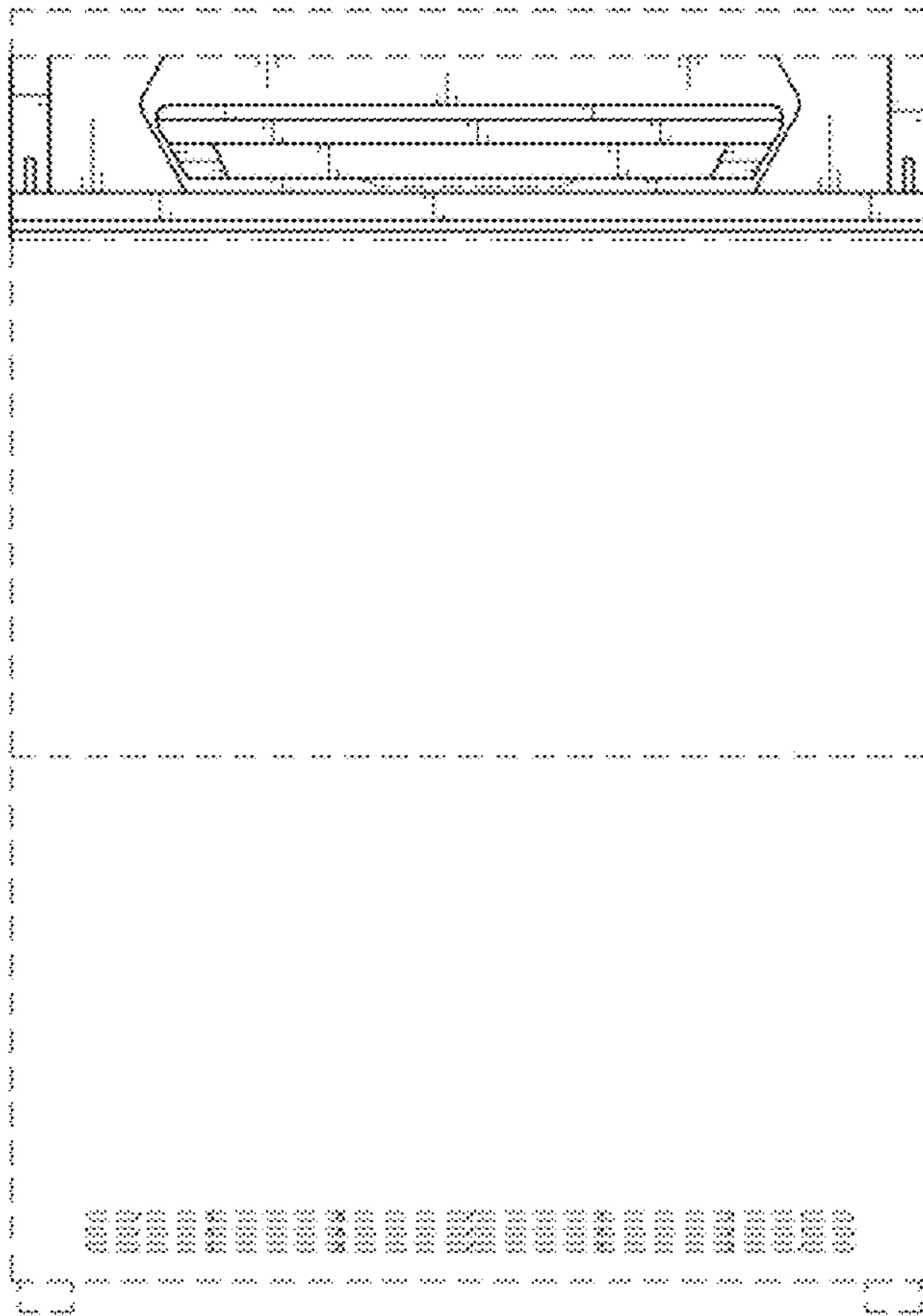
1.18



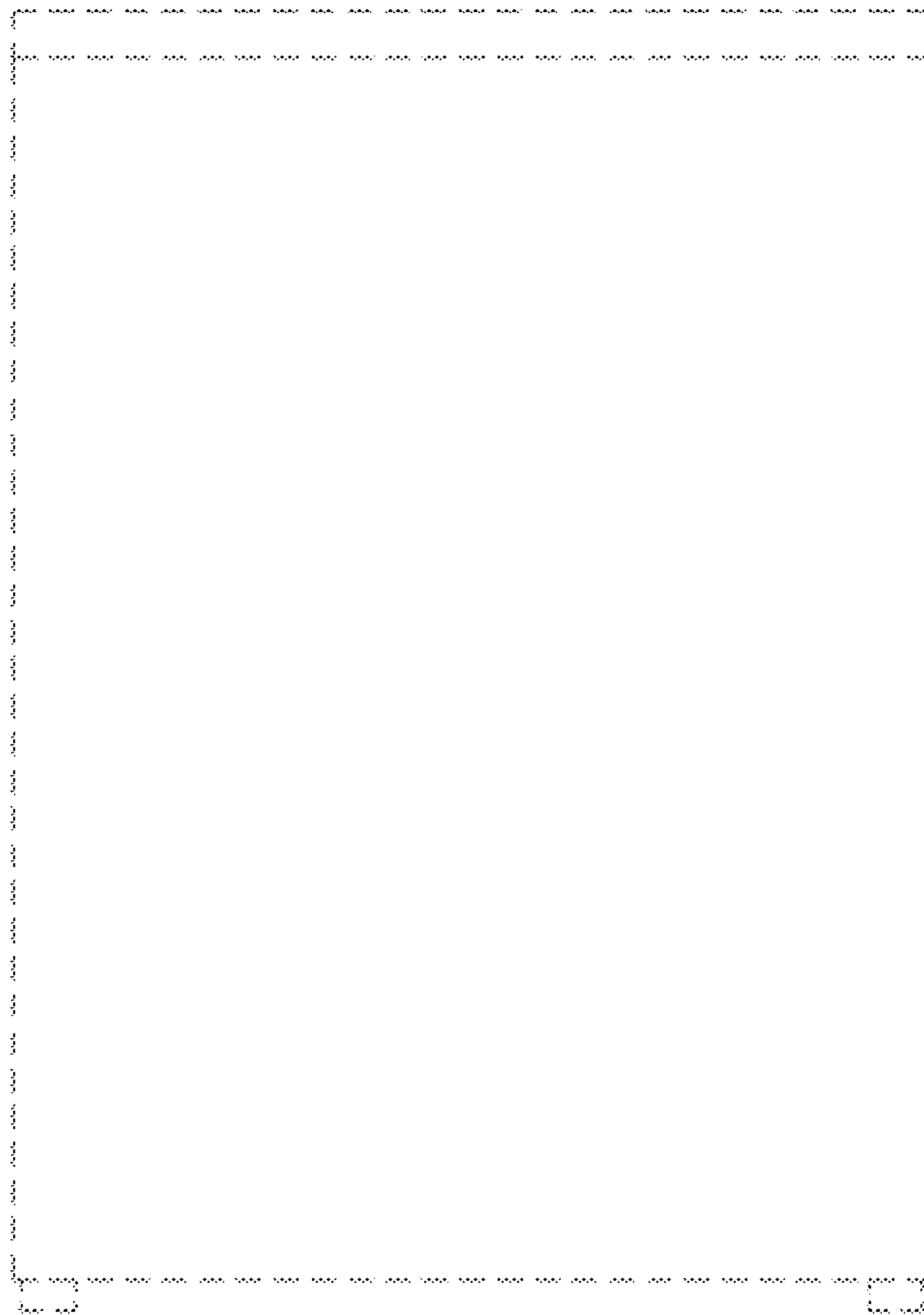
1.19



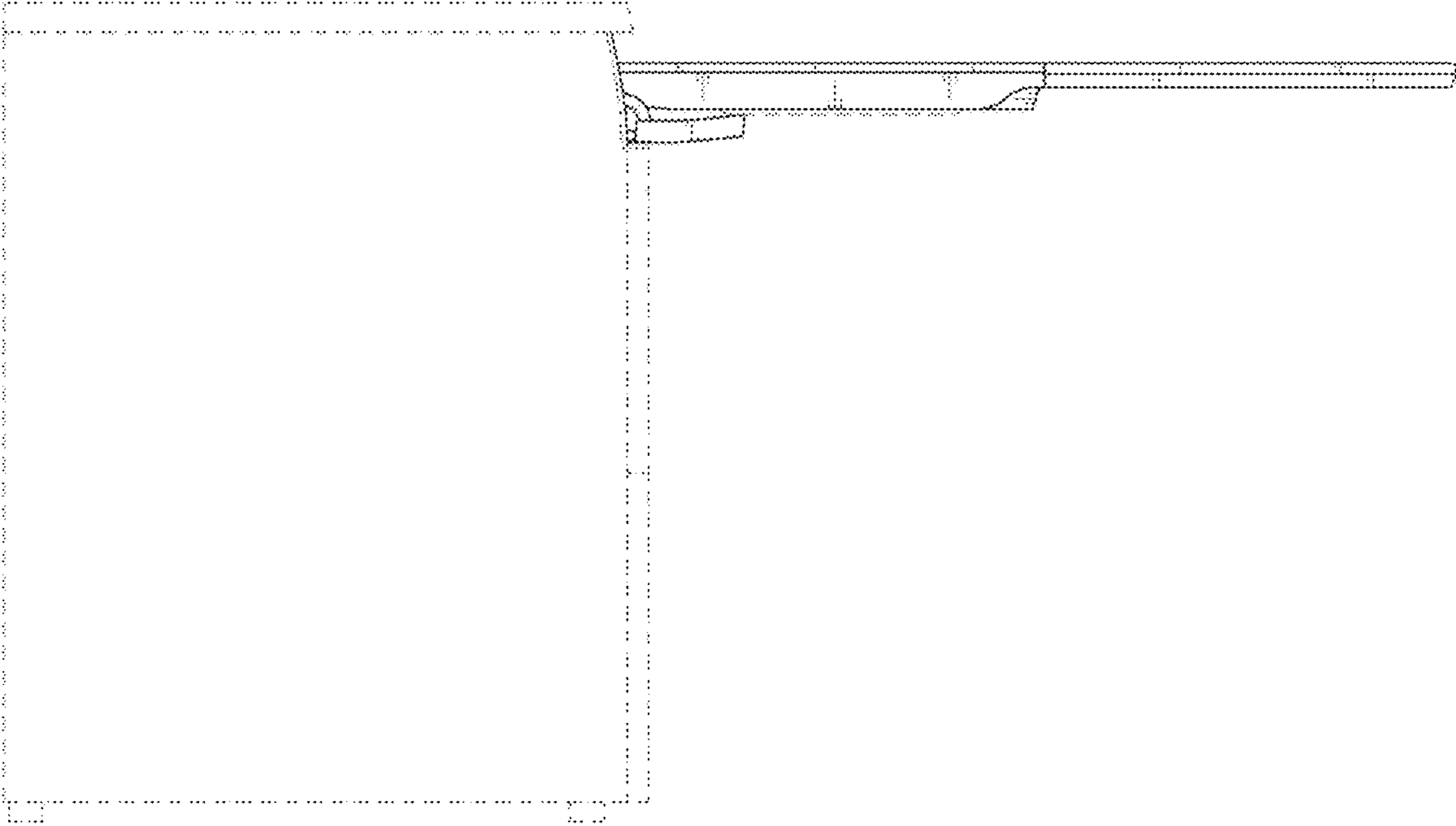
1.20



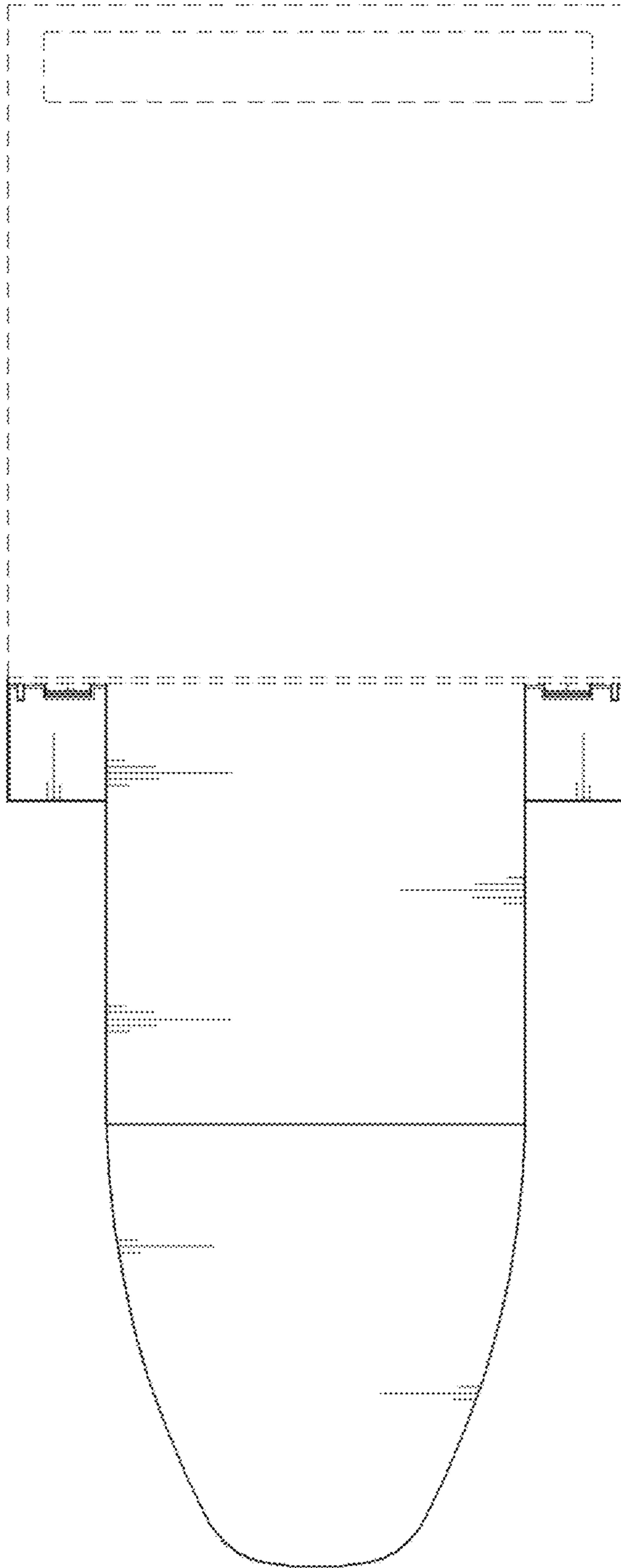
1.21



1.22



1.23



1.24

