

US00D840623S

(12) **United States Design Patent** (10) **Patent No.:** **US D840,623 S**  
**Wang** (45) **Date of Patent:** **\*\* Feb. 12, 2019**

(54) **DUST MOP**  
(71) Applicant: **NINGBO SHIJIA CLEANING TOOLS CO., LTD.**, Ningbo, Zhejiang Province (CN)  
(72) Inventor: **Yongdong Wang**, Ningbo (CN)  
(73) Assignee: **NINGBO SHIJIA CLEANING TOOLS CO., LTD.**, Ningbo (CN)

D591,921 S \* 5/2009 Rosenzweig ..... A47L 13/225  
D32/45  
D597,717 S \* 8/2009 Rosenzweig ..... A47L 13/225  
D32/45  
D607,165 S \* 12/2009 Libman ..... D32/45  
D615,260 S \* 5/2010 Koenig ..... D32/45  
7,996,948 B2 \* 8/2011 Kaminer ..... A47L 13/20  
15/209.1  
D660,533 S \* 5/2012 Hill ..... D32/22

(Continued)

(\*\*) Term: **15 Years**

(21) Appl. No.: **29/623,891**

(22) Filed: **Oct. 27, 2017**

(30) **Foreign Application Priority Data**

Sep. 27, 2017 (CN) ..... 2017 3 0461191

(51) **LOC (11) Cl.** ..... **07-05**

(52) **U.S. Cl.**  
USPC ..... **D32/50**

(58) **Field of Classification Search**  
USPC .. D32/50-53, 40, 45, 17-18, 21-22, 24-25;  
D4/130-132, 134-135, 138, 199  
CPC ..... A47L 13/52; A47L 13/12; A47L 13/00;  
A47L 13/20; A47L 13/24; A47L 13/22;  
A46B 7/04; A46B 7/06; A46B 5/00;  
B43M 11/02

See application file for complete search history.

(56) **References Cited**

**U.S. PATENT DOCUMENTS**

5,782,991 A \* 7/1998 van der Heyden ..... A47L 13/22  
134/26  
6,540,424 B1 \* 4/2003 Hall ..... A47L 13/22  
401/138  
D505,762 S \* 5/2005 Lalanne ..... D32/45  
6,960,042 B1 \* 11/2005 Hsiao ..... A47L 1/08  
401/138  
D514,267 S \* 1/2006 Tsai ..... D32/45

**FOREIGN PATENT DOCUMENTS**

CN 303313388 \* 8/2015

**OTHER PUBLICATIONS**

Dyson Cyclone V10 Absolute Cordless Stick Vacuum Cleaner |  
Dyson, [https://www.dyson.com/...bYzdhFK5A-3sc9VEbiv7A5VdPh0aAi6oEALw\\_wcB&gclid=Clz3keDM1NwCFcZFNwodcVUNCg](https://www.dyson.com/...bYzdhFK5A-3sc9VEbiv7A5VdPh0aAi6oEALw_wcB&gclid=Clz3keDM1NwCFcZFNwodcVUNCg), site visited Aug. 4, 2018.\*

*Primary Examiner* — John Windmuller  
*Assistant Examiner* — John R Yeh  
(74) *Attorney, Agent, or Firm* — Victor Cardona; Heslin  
Rothenberg Farley & Mesiti P.C.

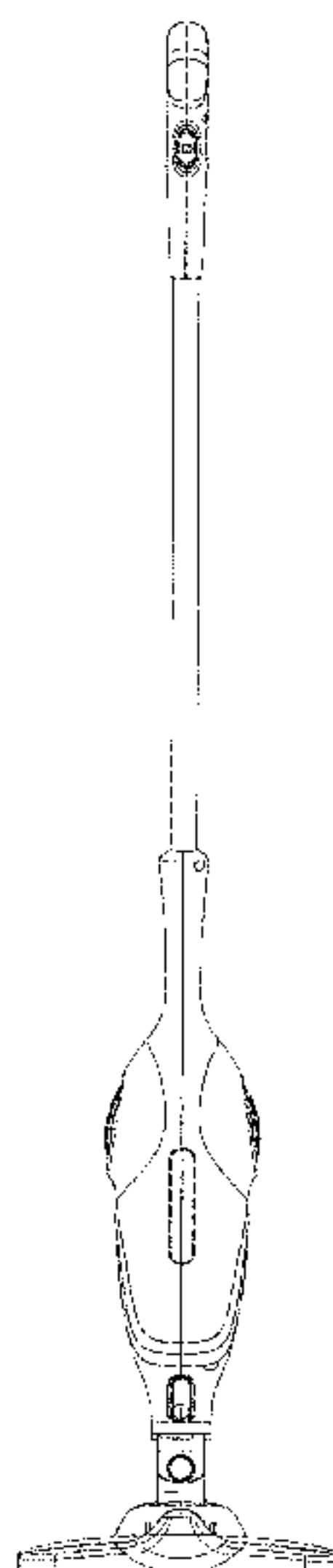
(57) **CLAIM**

I claim the ornamental design for a dust mop, as shown and described.

**DESCRIPTION**

FIG. 1 shows a front view of the dust mop;  
FIG. 2 shows a rear view of the dust mop;  
FIG. 3 shows a left side view of the dust mop;  
FIG. 4 shows a right side view of the dust mop;  
FIG. 5 shows a top view of the dust mop;  
FIG. 6 shows a bottom view of the dust mop; and,  
FIG. 7 shows a perspective view of the dust mop.  
The broken lines represent portions of the dust mop that form no part of the claimed design.

**1 Claim, 7 Drawing Sheets**



(56)

**References Cited**

U.S. PATENT DOCUMENTS

8,205,293 B2 \* 6/2012 Rosenzweig ..... A47L 13/22  
15/320  
D673,337 S \* 12/2012 Chow ..... D32/45  
D685,557 S \* 7/2013 Rosenzweig ..... D32/45  
D685,558 S \* 7/2013 deBlois ..... D32/17  
D699,011 S \* 2/2014 deBlois ..... D32/45  
D709,262 S \* 7/2014 Hughes ..... D32/45  
D711,058 S \* 8/2014 Crawley ..... D32/45  
D720,105 S \* 12/2014 Gidwell ..... D32/40  
D747,054 S \* 1/2016 Seifts ..... D32/45  
D765,330 S \* 8/2016 Lentine ..... D32/45  
D765,331 S \* 8/2016 Chei ..... D32/45  
D765,332 S \* 8/2016 Niedzwecki ..... D32/45  
D766,529 S \* 9/2016 Kim ..... D32/50  
9,743,819 B2 \* 8/2017 Davidshofer ..... A47L 13/22  
9,980,621 B1 \* 5/2018 Morad ..... A47L 13/22

\* cited by examiner

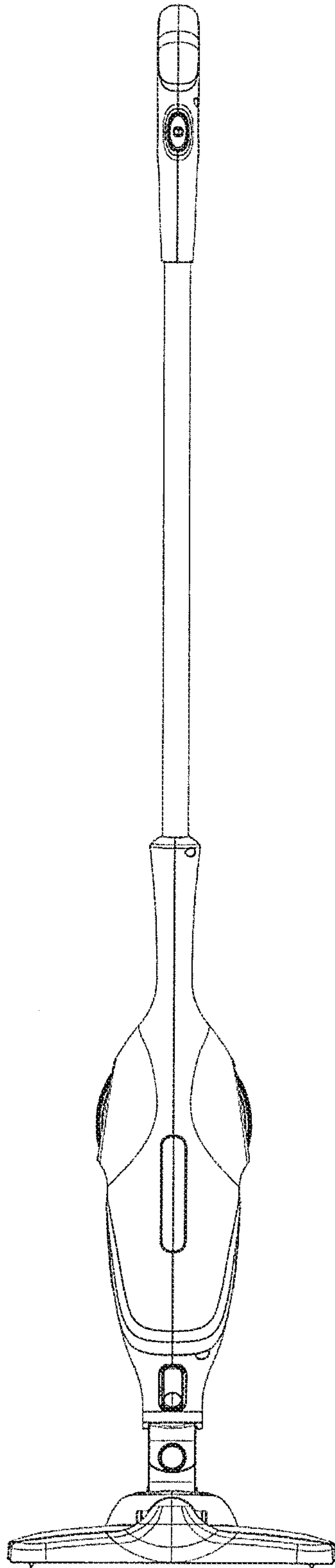


FIG. 1

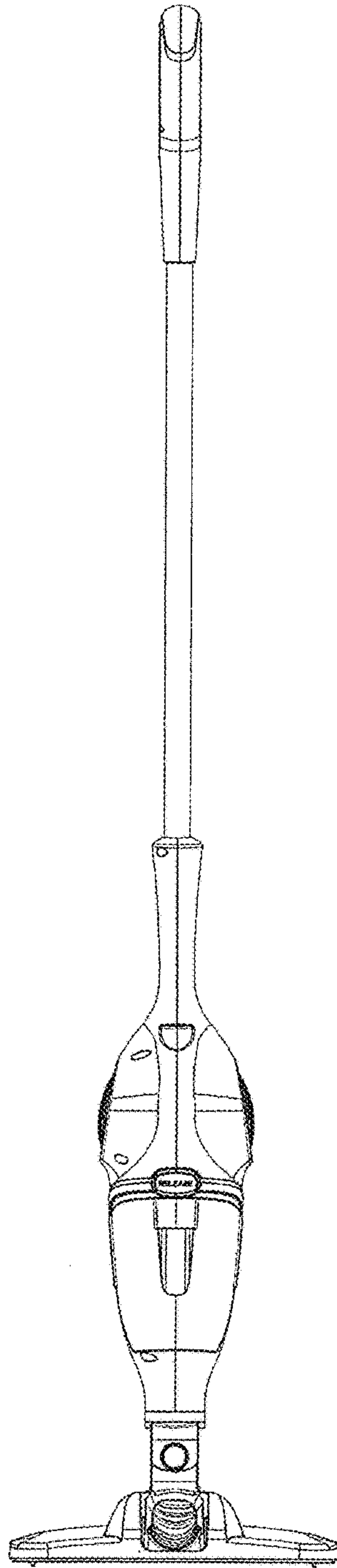


FIG. 2

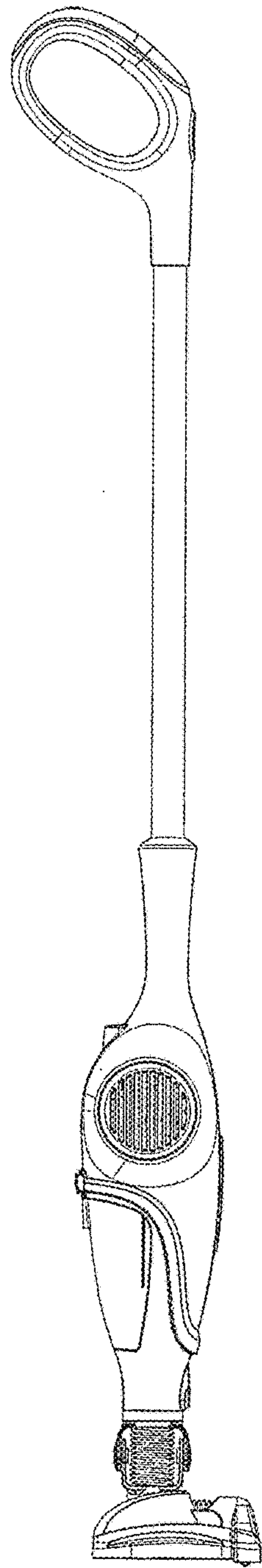


FIG. 3

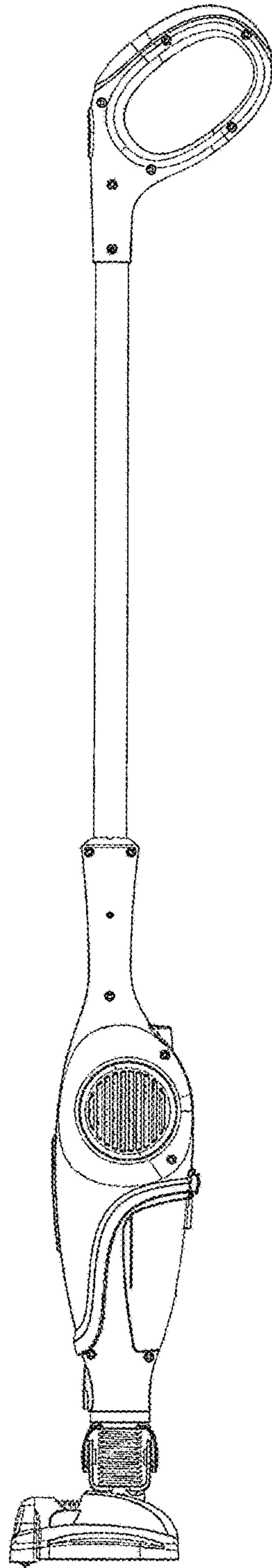


FIG. 4



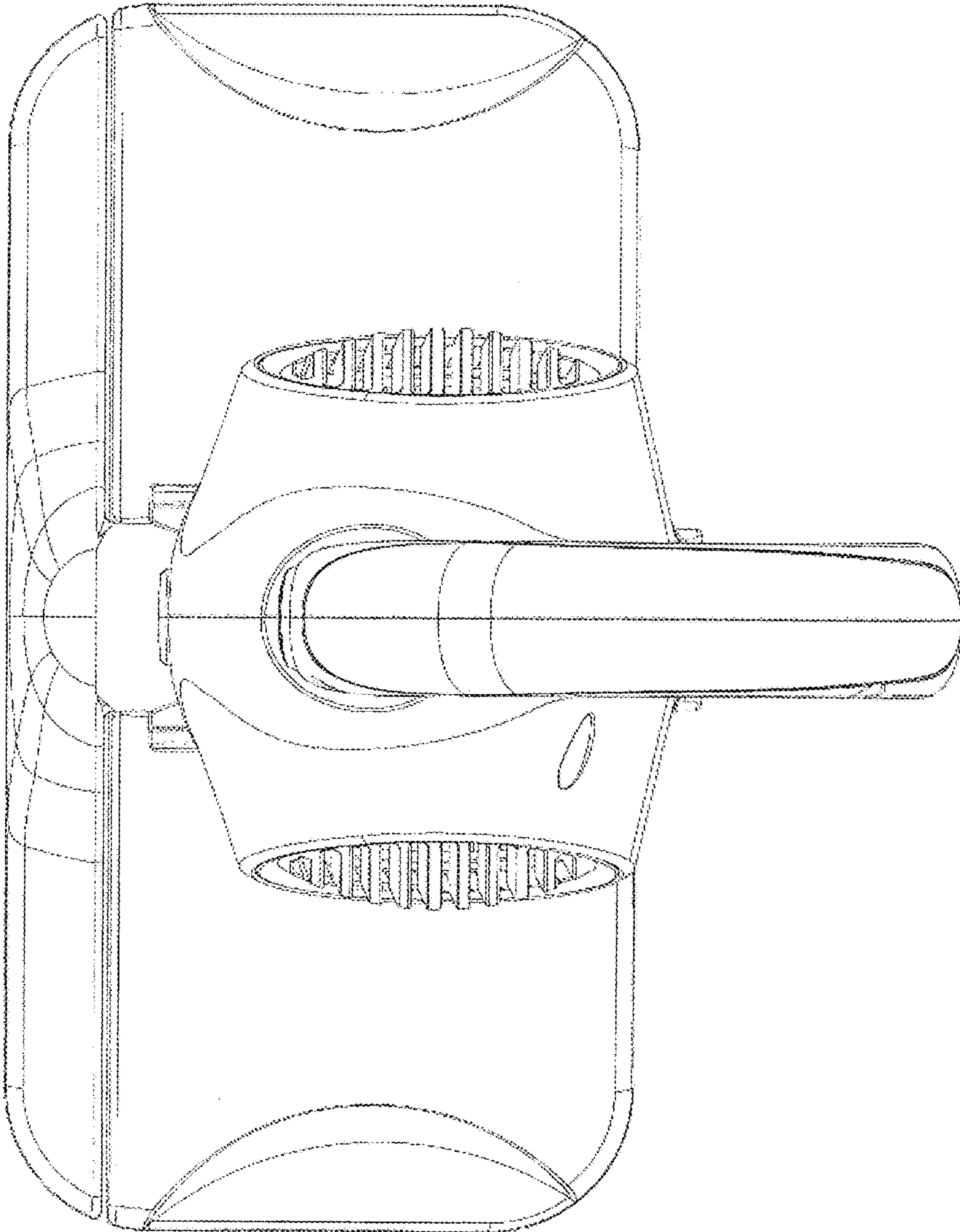


FIG. 5

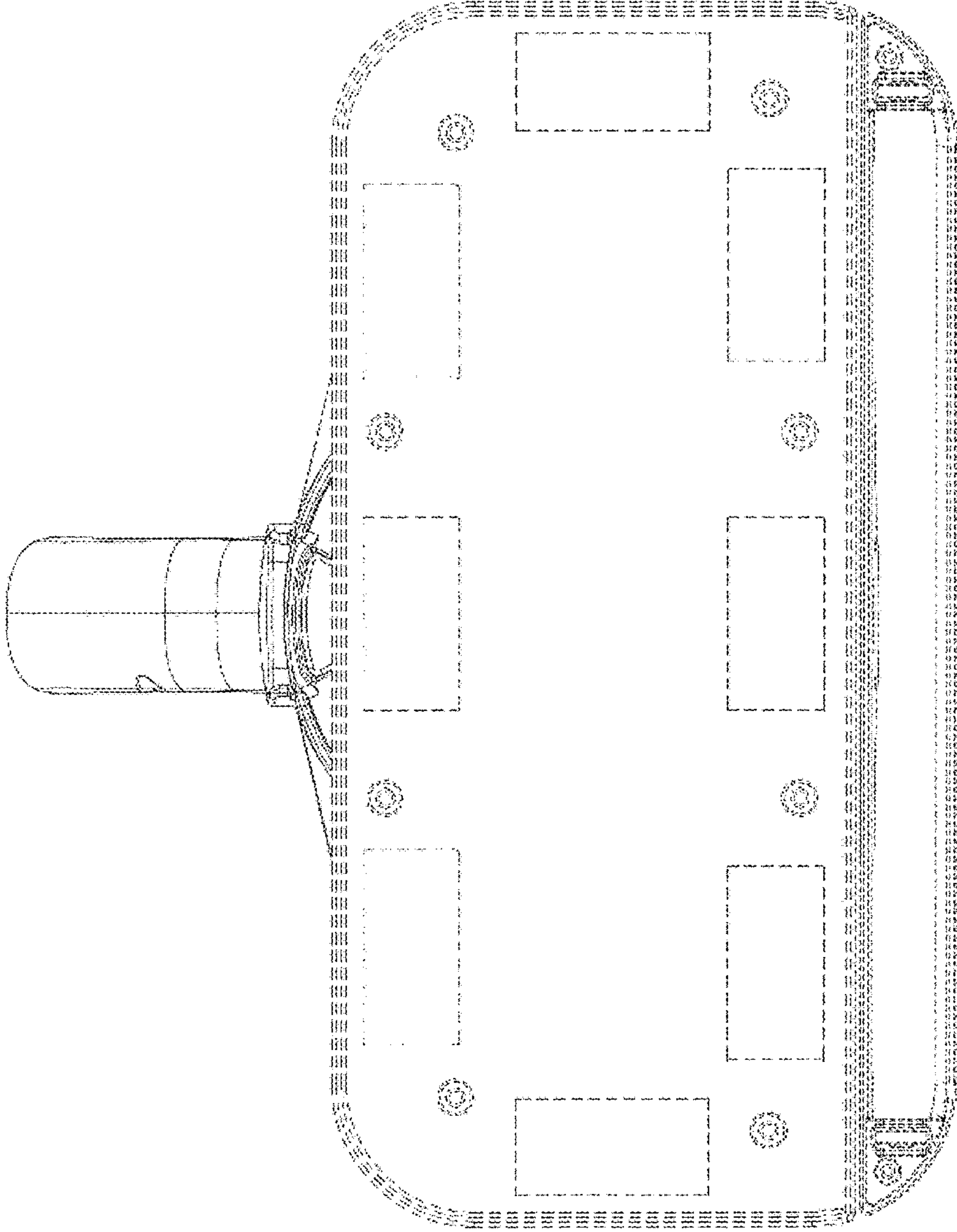


FIG. 6



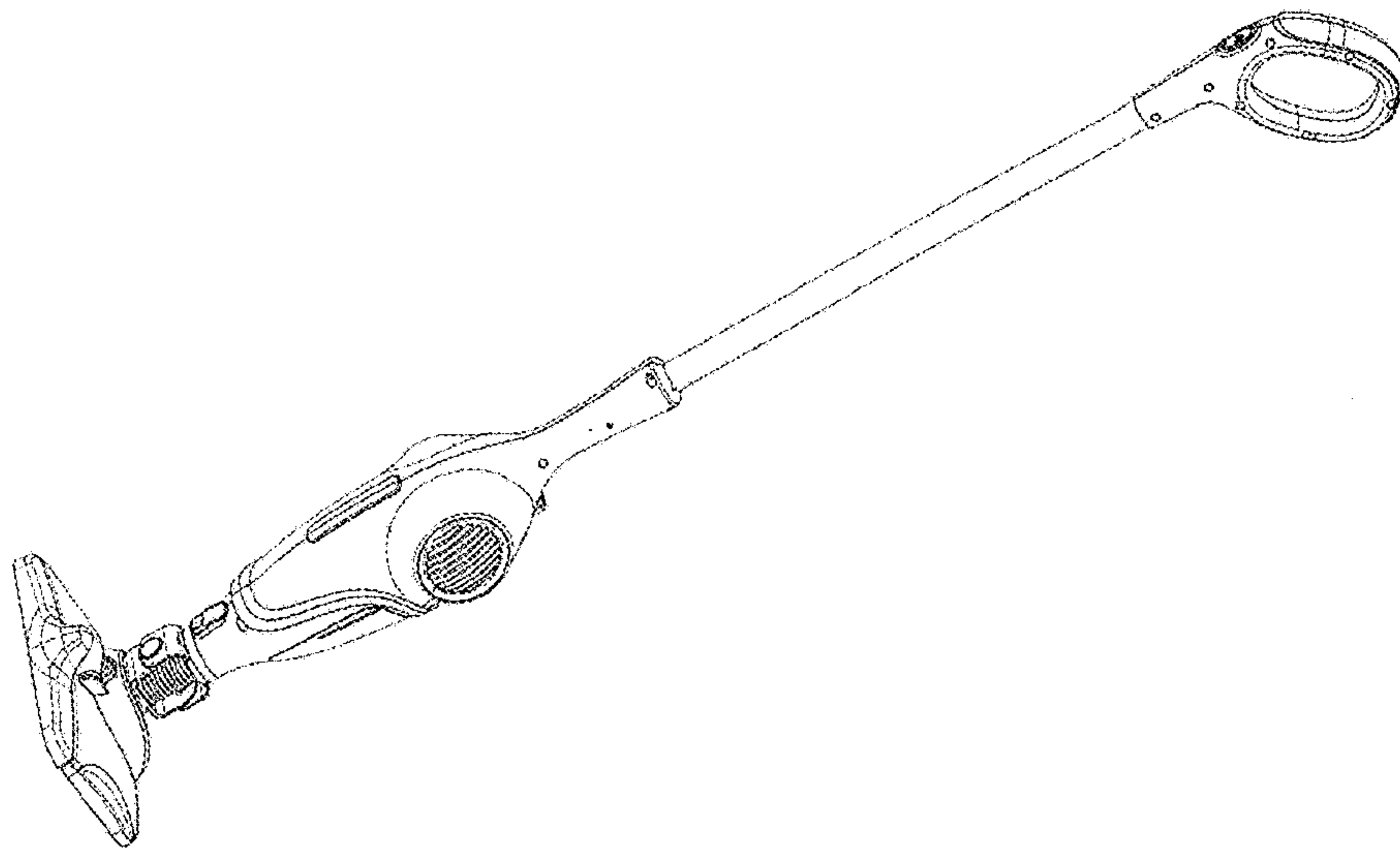


FIG. 7