

US00D840621S

(12) **United States Design Patent** (10) **Patent No.:** **US D840,621 S**  
**Richiuso et al.** (45) **Date of Patent:** **\*\* Feb. 12, 2019**

(54) **POOL CLEANER**

- (71) Applicant: **Pentair Water Pool and Spa, Inc.**, Cary, NC (US)
- (72) Inventors: **Leonard Richiuso**, Sunnyvale, CA (US); **Suresh Gopalan**, San Jose, CA (US)
- (73) Assignee: **Pentair Water Pool and Spa, Inc.**, Cary, NC (US)
- (\*\*) Term: **15 Years**
- (21) Appl. No.: **29/608,846**
- (22) Filed: **Jun. 26, 2017**

**Related U.S. Application Data**

- (60) Continuation of application No. 29/551,190, filed on Jan. 11, 2016, now Pat. No. Des. 790,787, which is a continuation of application No. 29/531,987, filed on Jun. 30, 2015, now Pat. No. Des. 747,573, which is a division of application No. 29/531,991, filed on Jun. 30, 2015, now Pat. No. Des. 747,574, which is a division of application No. 29/458,323, filed on Jun. 18, 2013, now Pat. No. Des. 733,374, which is a continuation of application No. 29/403,243, filed on Oct. 3, 2011, now Pat. No. Des. 684,738.
  - (51) **LOC (11) Cl.** ..... **15-05**
  - (52) **U.S. Cl.**  
USPC ..... **D32/31**
  - (58) **Field of Classification Search**  
USPC ..... D32/21-23, 31, 34  
CPC ..... G06N 3/008; A47L 9/2857; A47L 9/2842; A47L 9/2852; A47L 9/00; A47L 9/325; A47L 5/36-5/367; A47L 7/0019; A47L 7/004; A47L 11/34; A47L 11/29; A47L 11/30; E04H 4/1654
- See application file for complete search history.

(56) **References Cited**

U.S. PATENT DOCUMENTS

- 4,558,479 A 12/1985 Greskovics et al.
- 4,589,986 A 5/1986 Greskovics et al.
- 5,001,800 A 3/1991 Parenti et al.
- 5,095,571 A 3/1992 Sargent

(Continued)

FOREIGN PATENT DOCUMENTS

- AU 732645 1/1999

OTHER PUBLICATIONS

Polaris 3900 Owner's Manual; Copyright 2008 Zodiac Pool Systems, Inc.; retrieved from U.S. Patent Office records, U.S. Pat. No. D. 790,787; 12 pages.

*Primary Examiner* — Ruth McInroy

(74) *Attorney, Agent, or Firm* — Quarles & Brady LLP

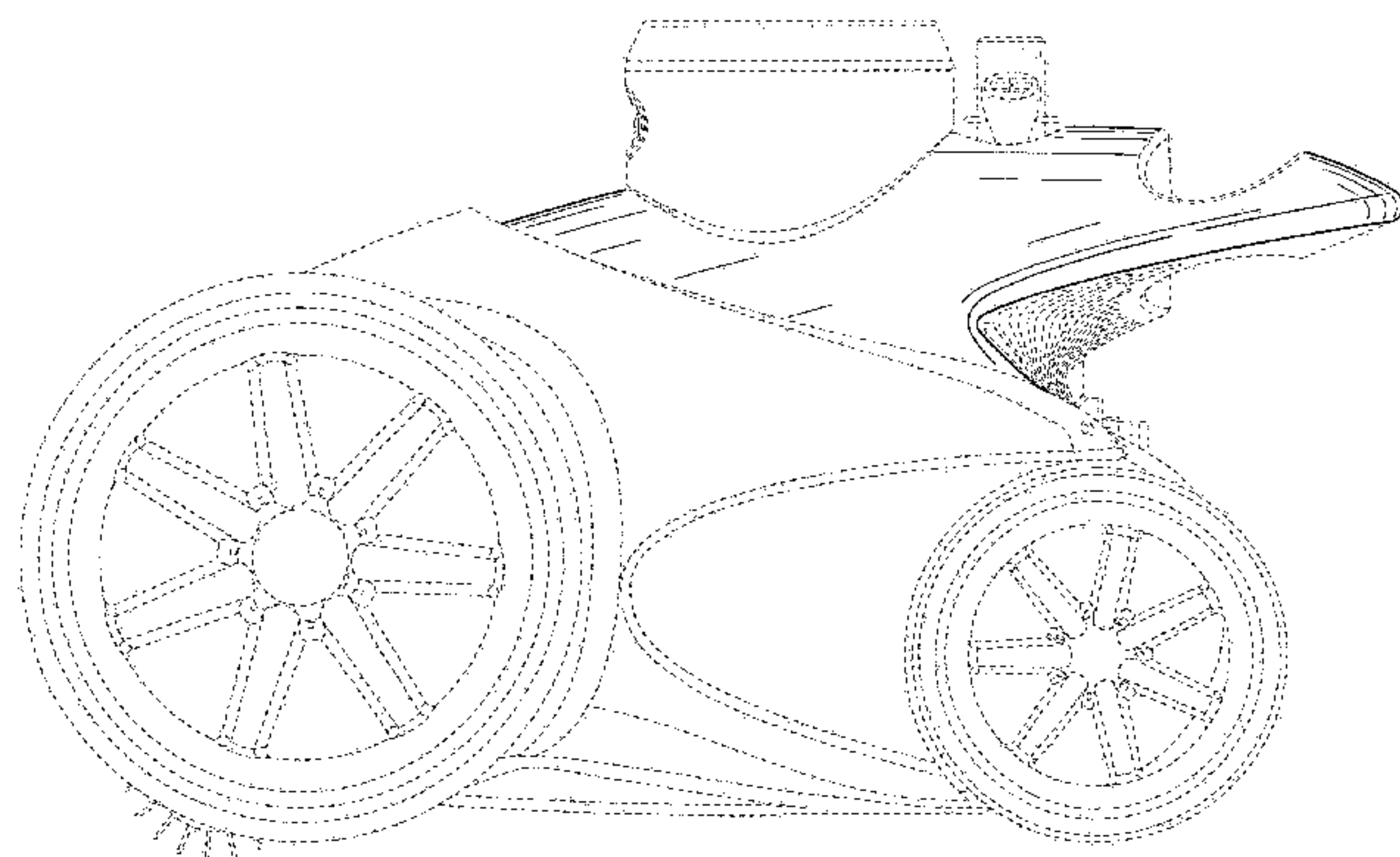
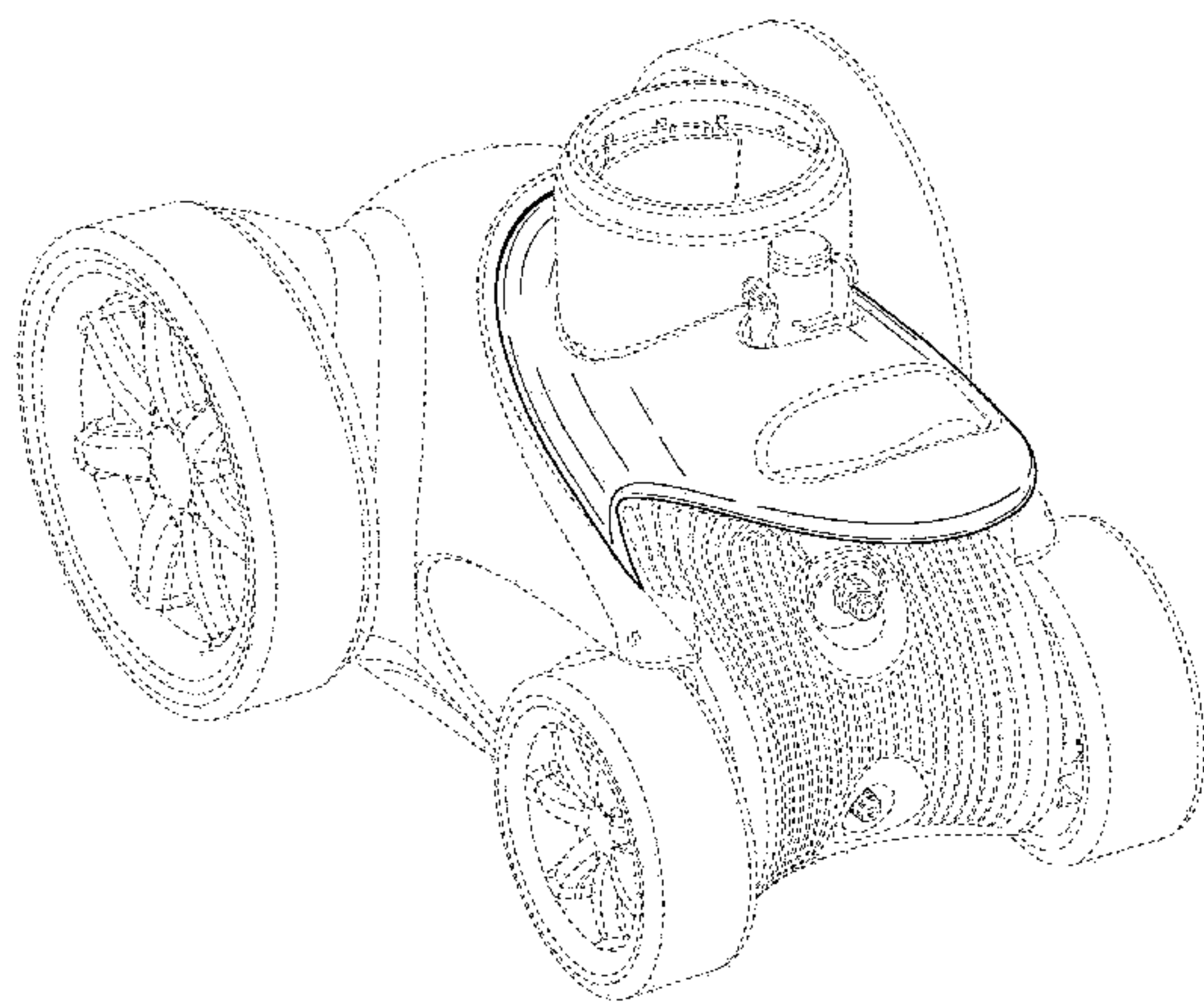
(57) **CLAIM**

The ornamental design for a pool cleaner, as shown and described.

**DESCRIPTION**

FIG. 1 is an isometric view of a rear, top, and left side of an ornamental design for a pool cleaner;  
 FIG. 2 is a rear elevational view of the pool cleaner of FIG. 1;  
 FIG. 3 is a front elevational view of the pool cleaner of FIG. 1;  
 FIG. 4 is a left side elevational view of the pool cleaner of FIG. 1, the right side elevational view being a mirror image thereof;  
 FIG. 5 is a top plan view of the pool cleaner of FIG. 1; and,  
 FIG. 6 is a bottom plan view of the pool cleaner of FIG. 1. The broken lines are for the purpose of illustrating environmental structure and form no part of the claimed design.

**1 Claim, 6 Drawing Sheets**



(56)

References Cited

U.S. PATENT DOCUMENTS

D358,690 S *	5/1995	Hohulin .....	D32/31	D594,610 S	6/2009	Klimas	
D376,450 S	12/1996	Campbell et al.		D598,168 S	8/2009	Sumonthee	
D384,782 S	10/1997	Gefter		D599,967 S *	9/2009	Blanc-Tailleur .....	32/1
5,863,425 A	1/1999	Herlehy et al.		7,636,975 B2	12/2009	Mah et al.	
D405,568 S *	2/1999	Mehaffey .....	D21/562	D613,470 S *	4/2010	Svantesson .....	D32/31
D409,341 S	5/1999	Van Etten et al.		D614,368 S *	4/2010	Svantesson .....	D32/31
5,933,899 A	8/1999	Campbell et al.		7,690,066 B2	4/2010	Stoltz et al.	
5,970,557 A	10/1999	Supra		7,721,370 B2	5/2010	Gopalan	
D418,640 S	1/2000	Veloskey et al.		7,867,389 B2	1/2011	Hui	
D421,512 S	3/2000	Campbell		8,117,704 B2	2/2012	Schneider et al.	
D468,067 S	12/2002	Stoltz et al.		8,141,191 B2	3/2012	Hui	
D469,589 S *	1/2003	Wichmann .....	D32/15	D670,460 S *	11/2012	Mastio .....	D32/21
D471,330 S *	3/2003	Campbell .....	D32/21	D684,738 S *	6/2013	Richiuso .....	D32/21
D481,181 S *	10/2003	Lath .....	D32/31	D721,460 S *	1/2015	Hanan .....	D32/21
6,665,900 B2	12/2003	Wichmann et al.		D733,983 S *	7/2015	Yun .....	D32/31
D485,652 S	1/2004	Erlich		9,119,463 B2 *	9/2015	Gopalan .....	E04H 4/1654
6,836,929 B2	1/2005	Kim		D747,573 S *	1/2016	Richiuso .....	D32/21
6,854,148 B1	2/2005	Rief et al.		2003/0182742 A1	10/2003	Wichmann et al.	
D518,253 S	3/2006	Erlich et al.		2003/0205513 A1	11/2003	Stoltz et al.	
D522,191 S	5/2006	Erlich		2004/0089593 A1	5/2004	Campbell	
7,060,182 B2	6/2006	Erlich et al.		2005/0035039 A1	2/2005	Erlich	
7,273,546 B2	9/2007	Meritt		2005/0236310 A1	10/2005	Powell	
D563,065 S *	2/2008	Yoon .....	D32/31	2005/0247613 A1	11/2005	Bishop et al.	
D563,066 S *	2/2008	Shevlin .....	D32/31	2006/0265820 A1	11/2006	Erlich et al.	
D581,611 S	11/2008	van der Meijden et al.		2007/0289075 A1	12/2007	Gopalan	
D582,112 S	12/2008	van der Meijden et al.		2008/0109972 A1	5/2008	Mah et al.	
D582,617 S	12/2008	van der Meijden et al.		2009/0229061 A1	9/2009	Stoltz et al.	
D584,209 S	1/2009	Klimas		2009/0300862 A1	12/2009	Schneider et al.	
7,520,015 B1	4/2009	Ajello		2009/0307854 A1	12/2009	Garti	
				2011/0088181 A1	4/2011	Rief et al.	
				2012/0074050 A1	3/2012	Rief et al.	
				2013/0081216 A1	4/2013	Gopalan et al.	

\* cited by examiner



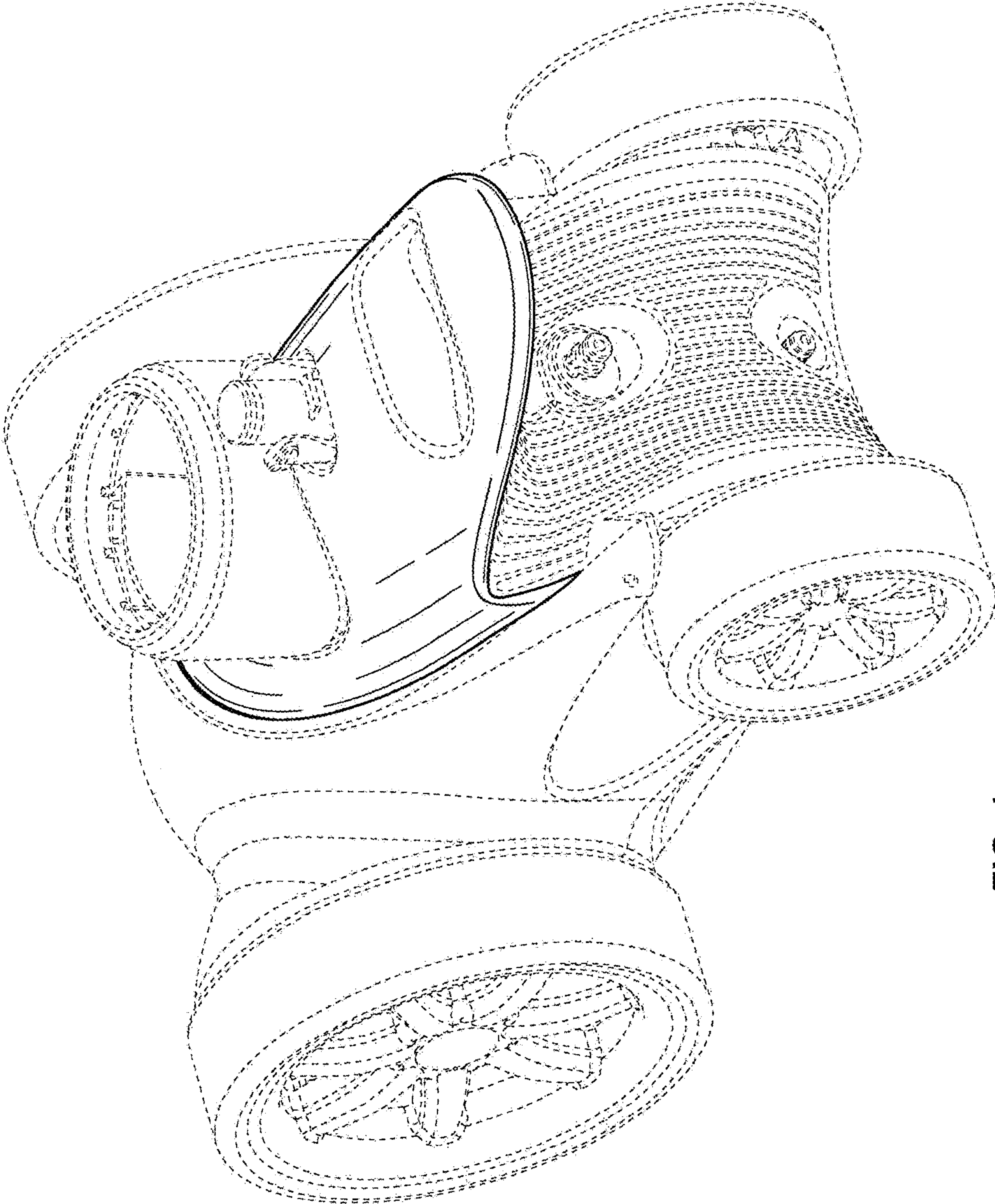


FIG. 1

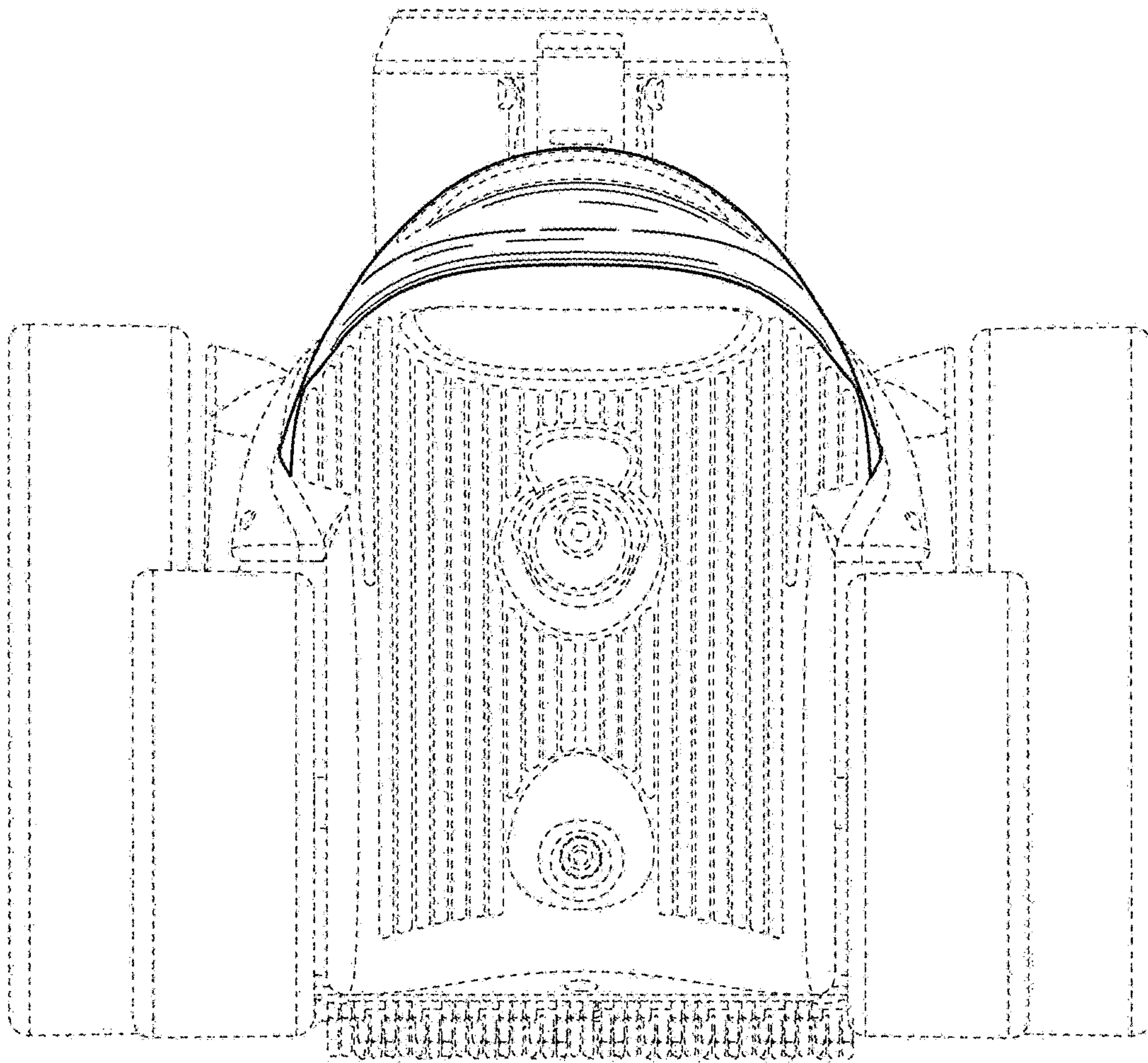


FIG. 2

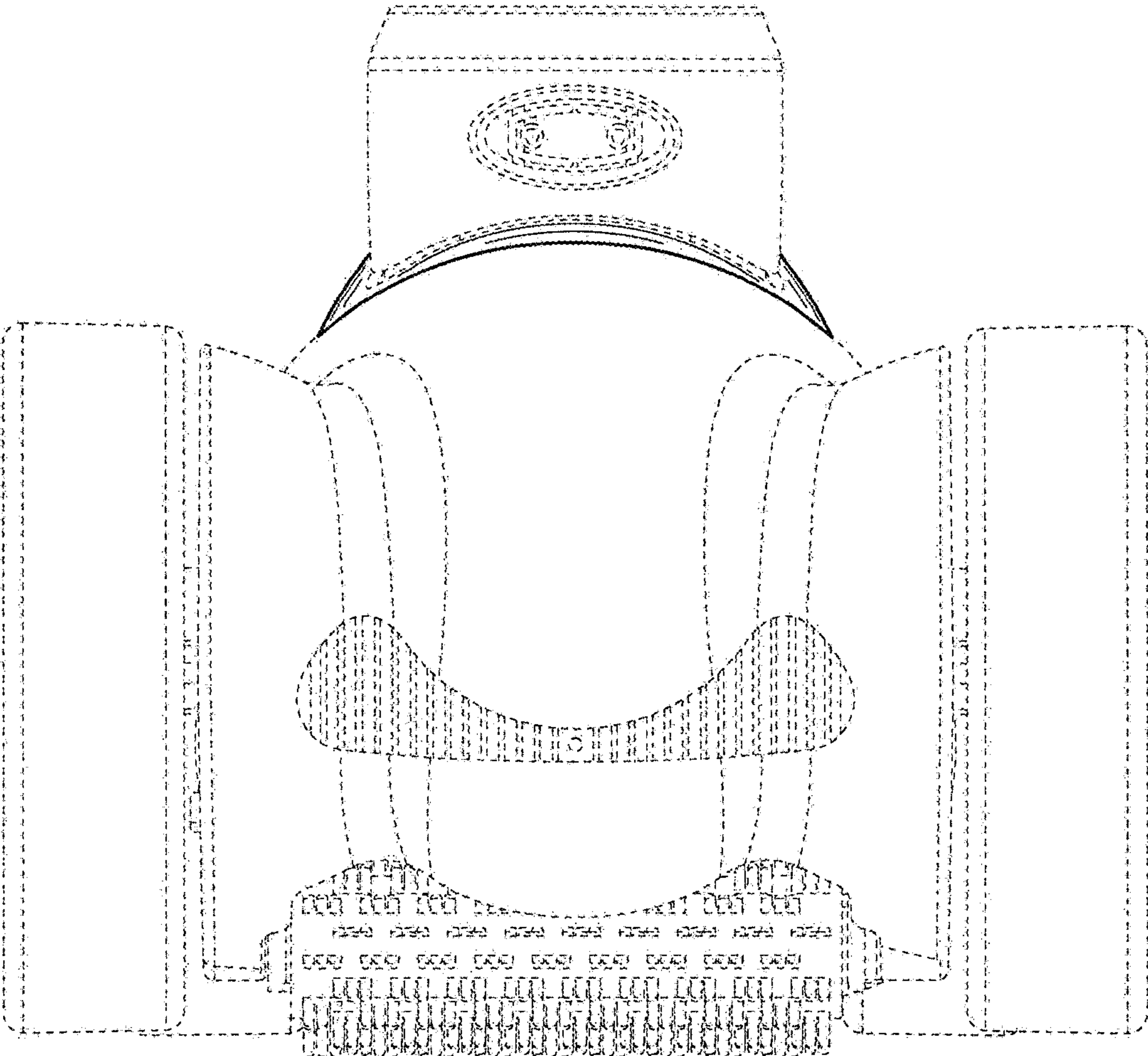


FIG. 3



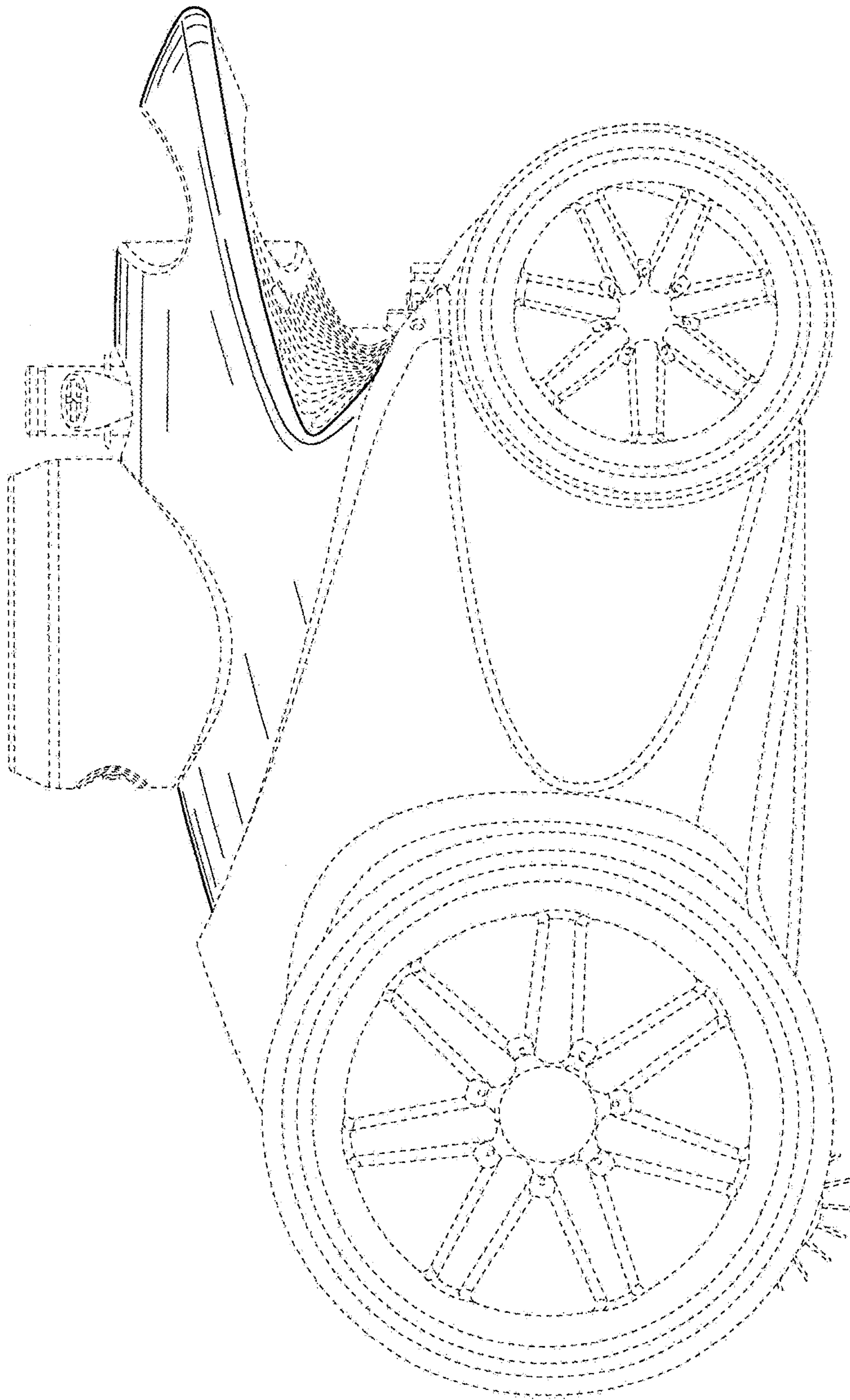


FIG. 4

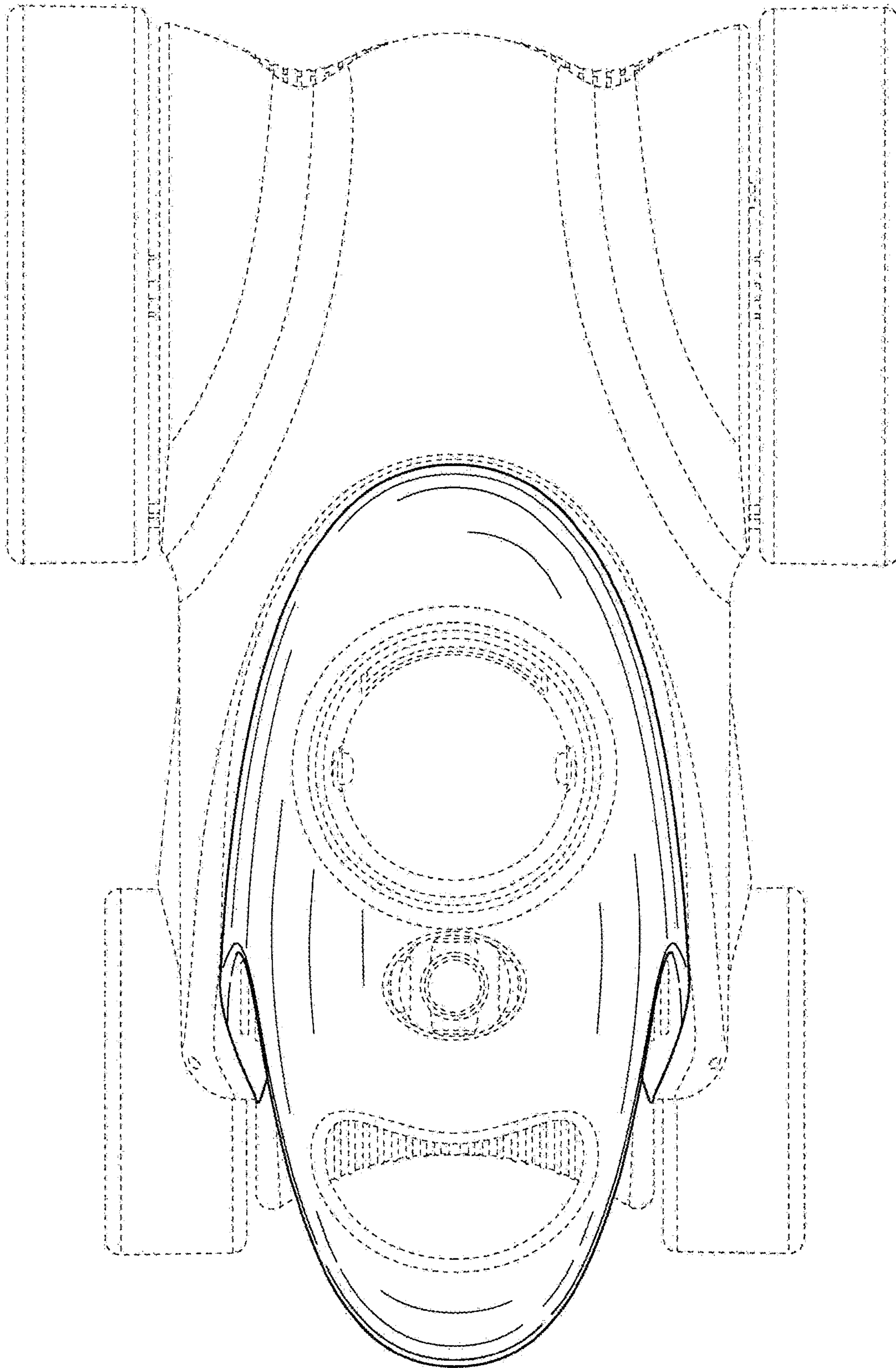


FIG. 5

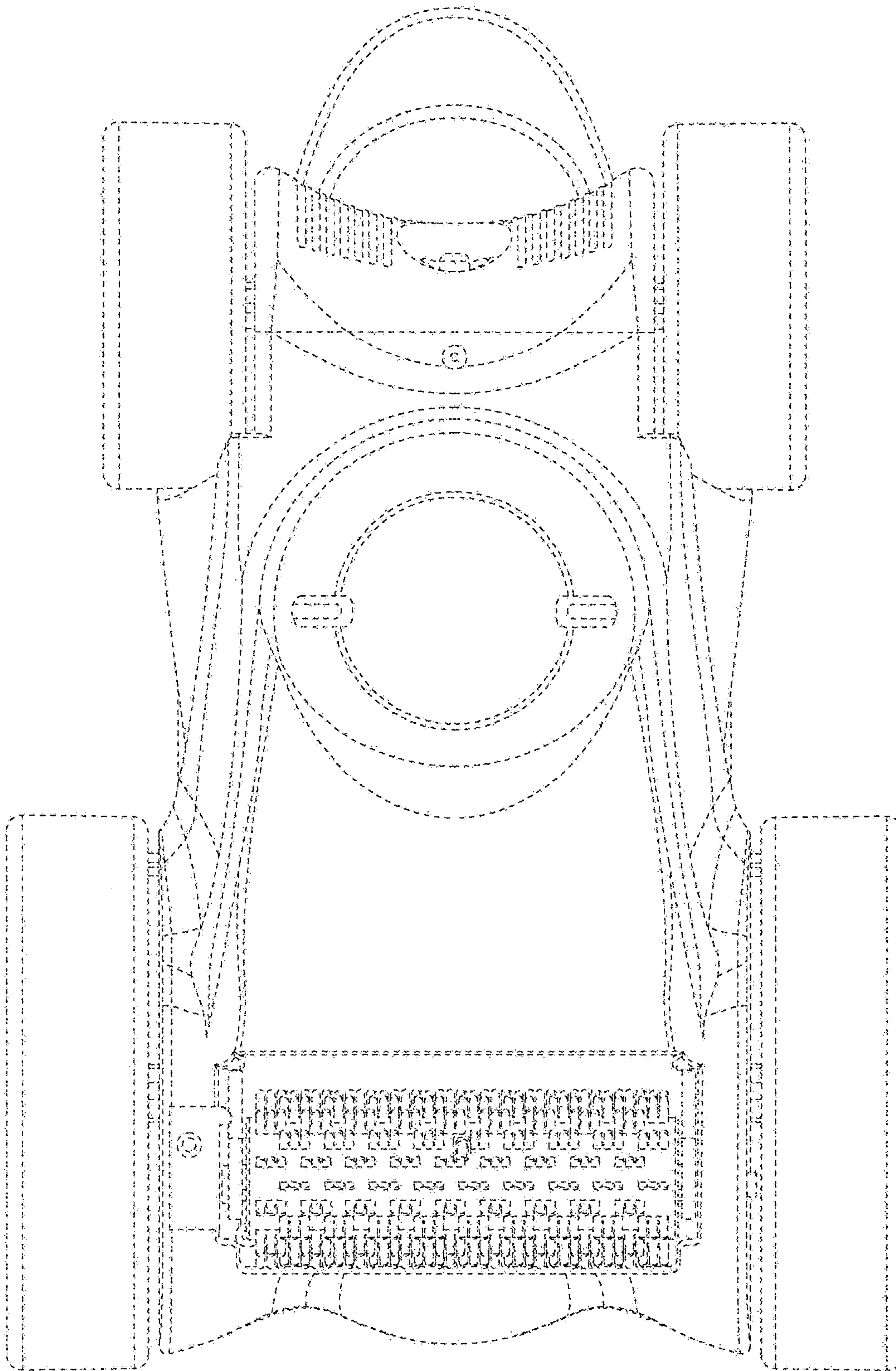


FIG. 6