



US00D840617S

(12) **United States Design Patent**  
**Dou et al.**

(10) **Patent No.:** **US D840,617 S**

(45) **Date of Patent:** **\*\* Feb. 12, 2019**

(54) **ROBOTIC VACUUM**

(71) Applicant: **BEIJING XIAOMI MOBILE SOFTWARE CO., LTD.**, Haidian District, Beijing (CN)

(72) Inventors: **Wenbo Dou**, Beijing (CN); **Ningning Li**, Beijing (CN)

(73) Assignee: **BEIJING XIAOMI MOBILE SOFTWARE CO., LTD.**, Beijing (CN)

(\*\*) Term: **15 Years**

(21) Appl. No.: **29/615,898**

(22) Filed: **Aug. 31, 2017**

(51) **LOC (11) Cl.** ..... **15-05**

(52) **U.S. Cl.**  
USPC ..... **D32/21**

(58) **Field of Classification Search**  
USPC ..... D32/21–24, 31  
CPC ..... E04H 4/1654; A47L 9/2842; A47L 9/26;  
A47L 9/325; A47L 9/009; A47L 11/34;  
A47L 5/362; A47L 5/365; A47L 7/0004;  
A47L 7/0019  
See application file for complete search history.

(56) **References Cited**

**U.S. PATENT DOCUMENTS**

D548,902 S *	8/2007	Chun	.....	D32/21
D665,547 S *	8/2012	Nam	.....	D32/21
D669,235 S *	10/2012	Bassett	.....	D32/21
D670,877 S *	11/2012	Geringer	.....	D32/21
D690,478 S *	9/2013	Li	.....	D32/21

D703,397 S *	4/2014	Sungkyung	.....	D32/21
D714,002 S *	9/2014	Casini	.....	D32/21
D714,003 S *	9/2014	Casini	.....	D32/21
D715,504 S *	10/2014	Deoksang	.....	D32/21
D771,884 S *	11/2016	Ninomiya	.....	D32/21
9,931,007 B2 *	4/2018	Morin	.....	A47L 9/1683

\* cited by examiner

*Primary Examiner* — Ruth McInroy

(74) *Attorney, Agent, or Firm* — Dickinson Wright PLLC

(57) **CLAIM**

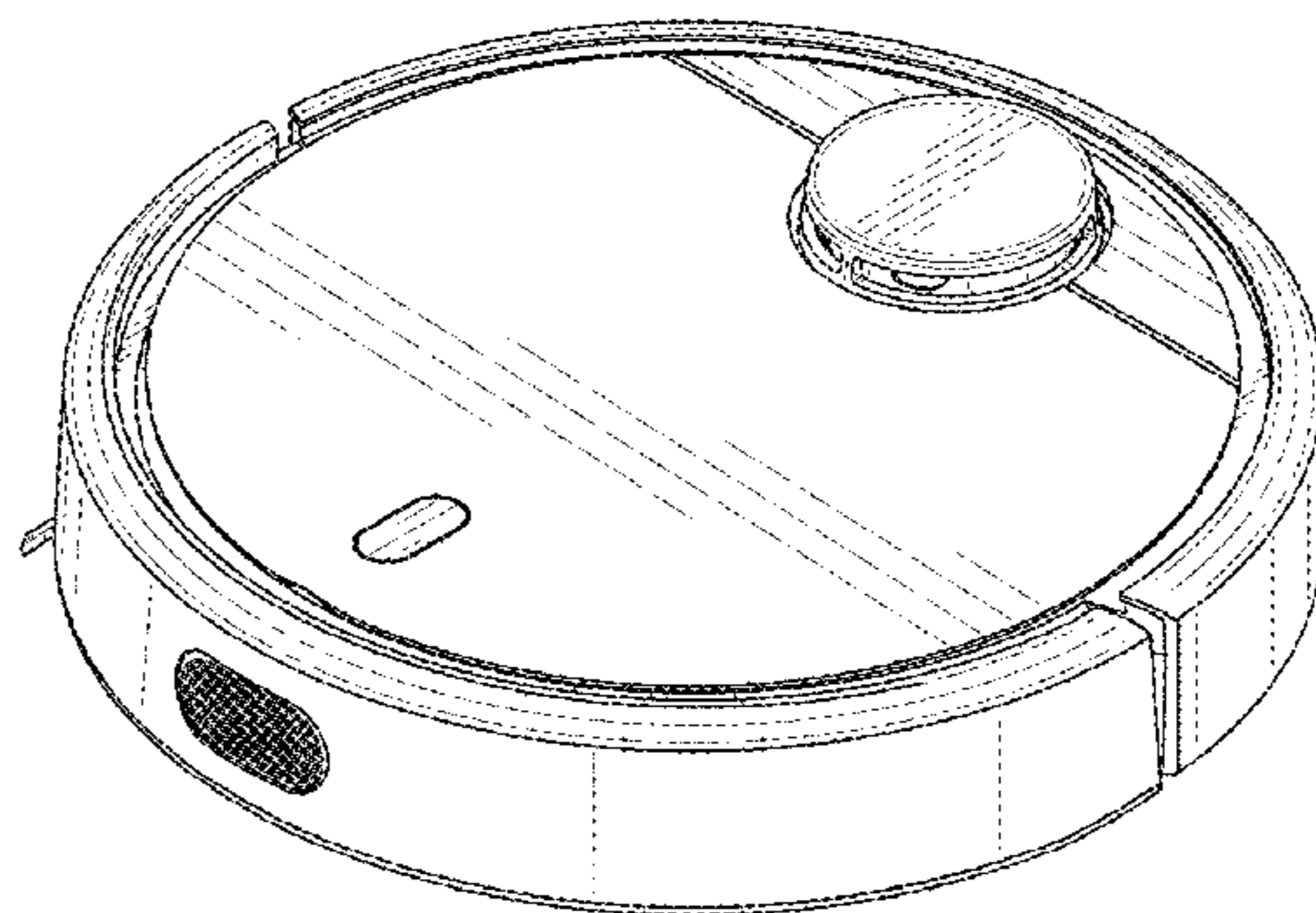
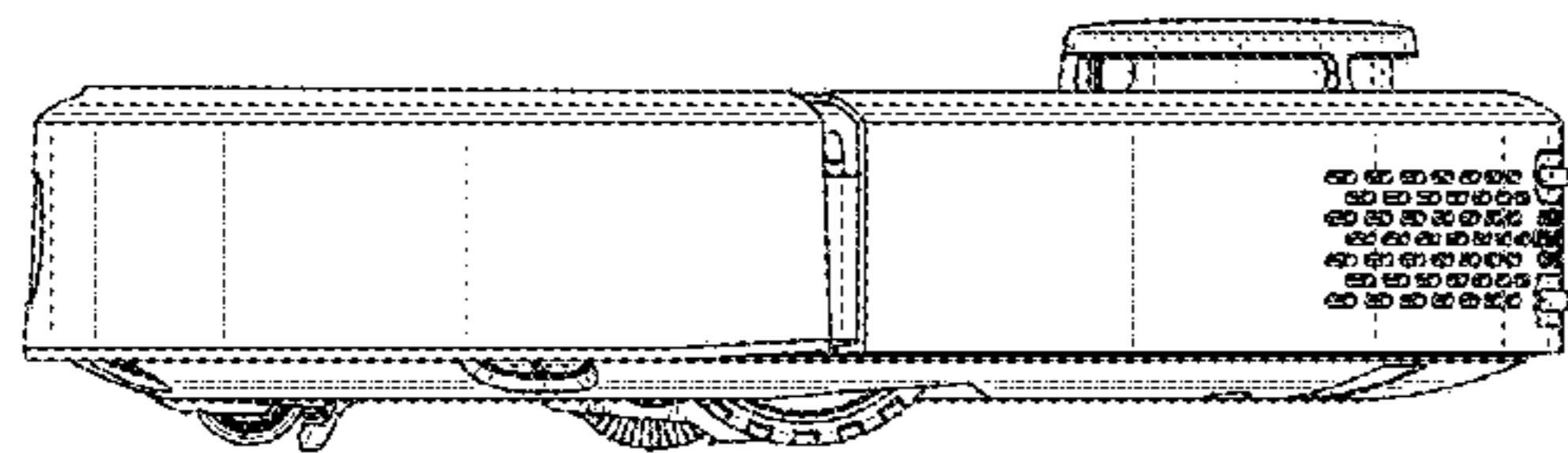
The ornamental design for a robotic vacuum, as shown and described.

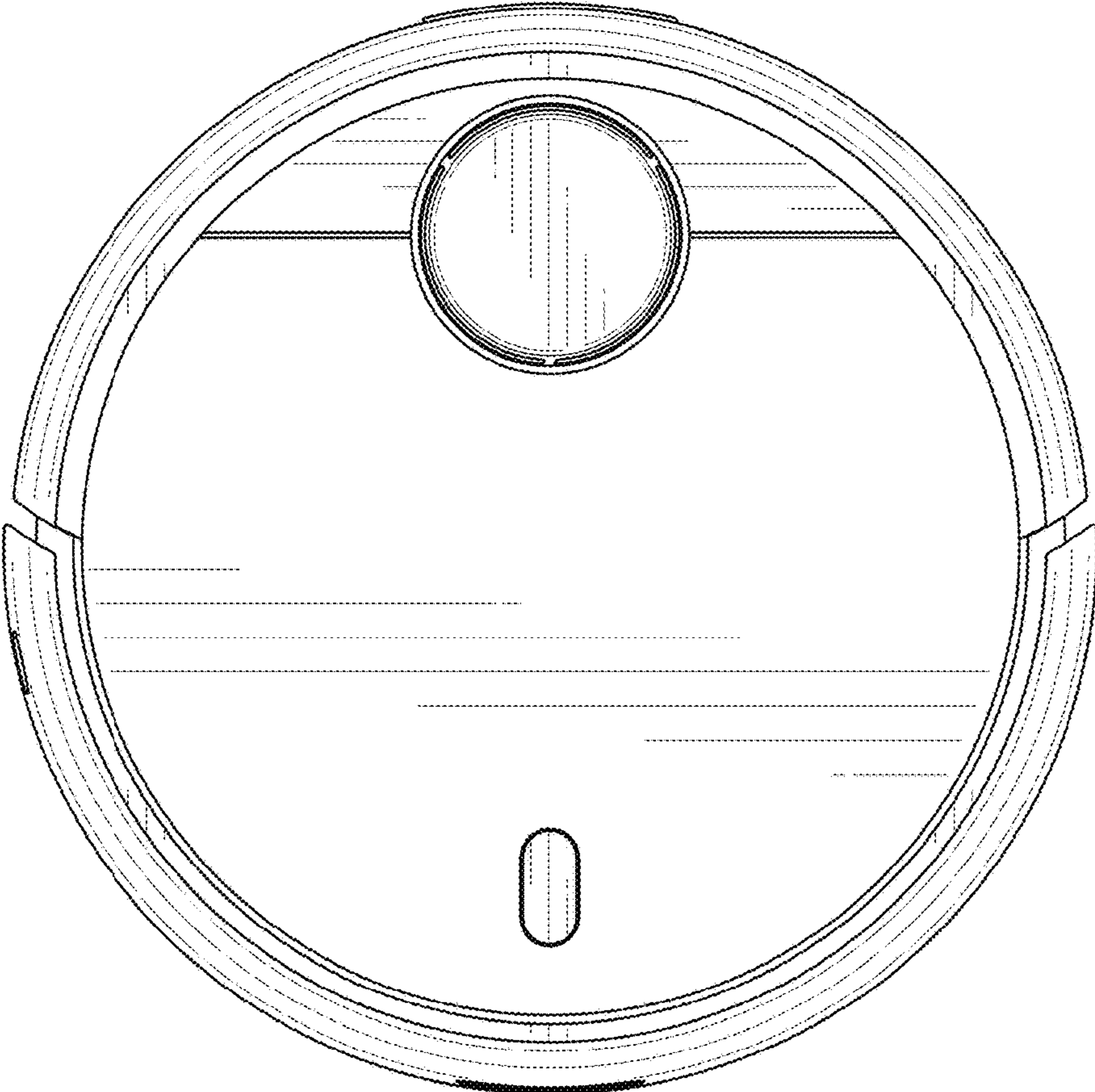
**DESCRIPTION**

FIG. 1 is a top view of a robotic vacuum showing our new design;  
FIG. 2 is a bottom view thereof;  
FIG. 3 is a left side view thereof;  
FIG. 4 is a right side view thereof;  
FIG. 5 is a rear view thereof;  
FIG. 6 is a front view thereof;  
FIG. 7 is a top perspective view thereof;  
FIG. 8 is a bottom perspective view thereof;  
FIG. 9 is another bottom perspective view thereof;  
FIG. 10 is a top perspective view in an open position;  
FIG. 11 is top perspective view in an alternate open position;  
and,  
FIG. 12 is a top perspective view thereof in a state of charging.

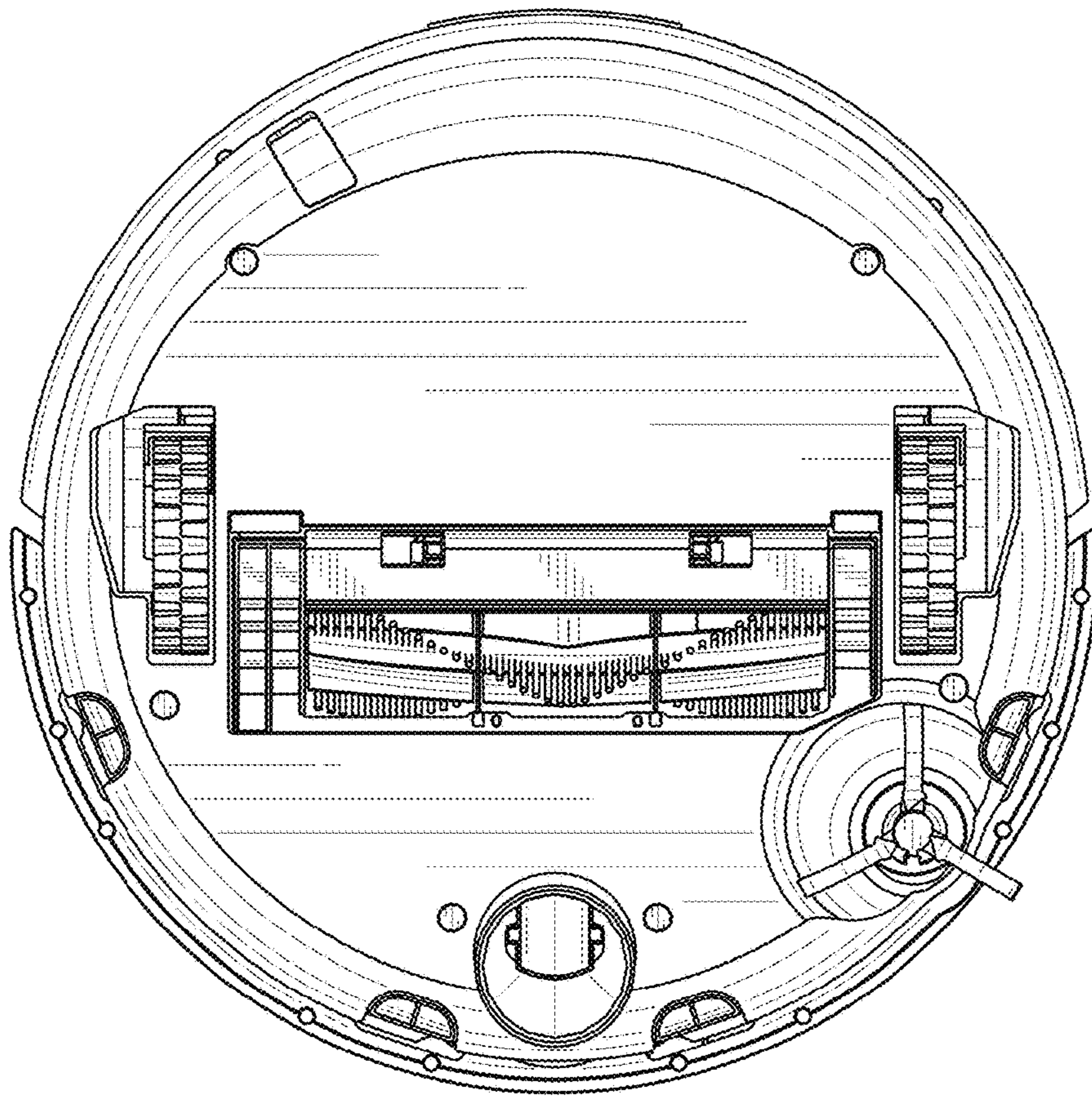
The broken lines are included for the purpose of illustrating portions of a charging station for the robotic vacuum that form no part of the claimed design.

**1 Claim, 12 Drawing Sheets**

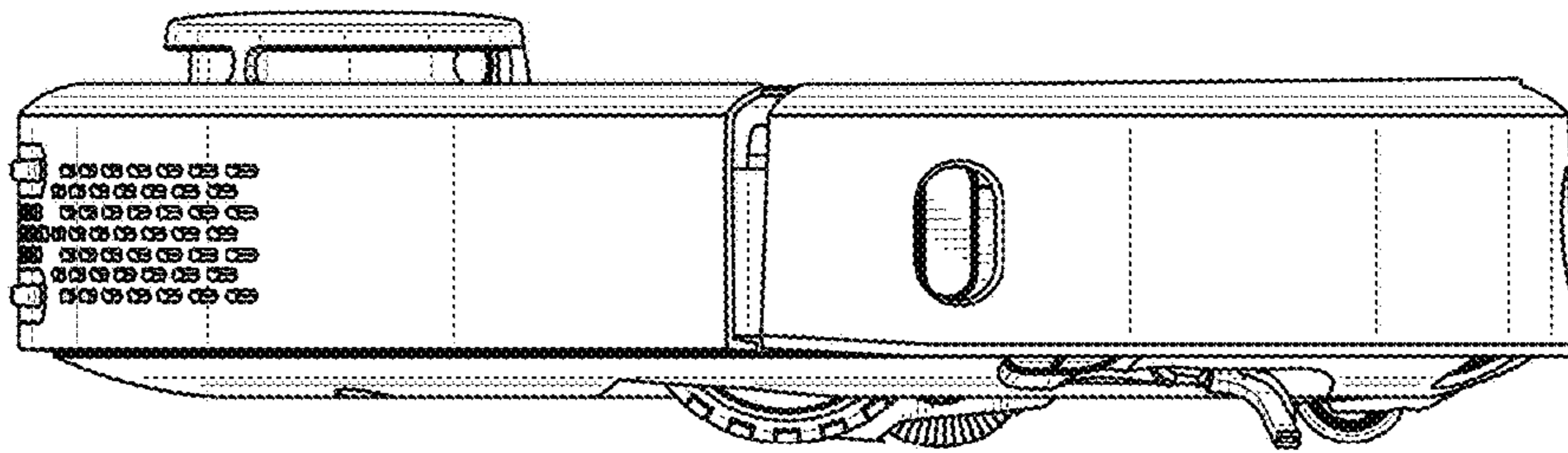




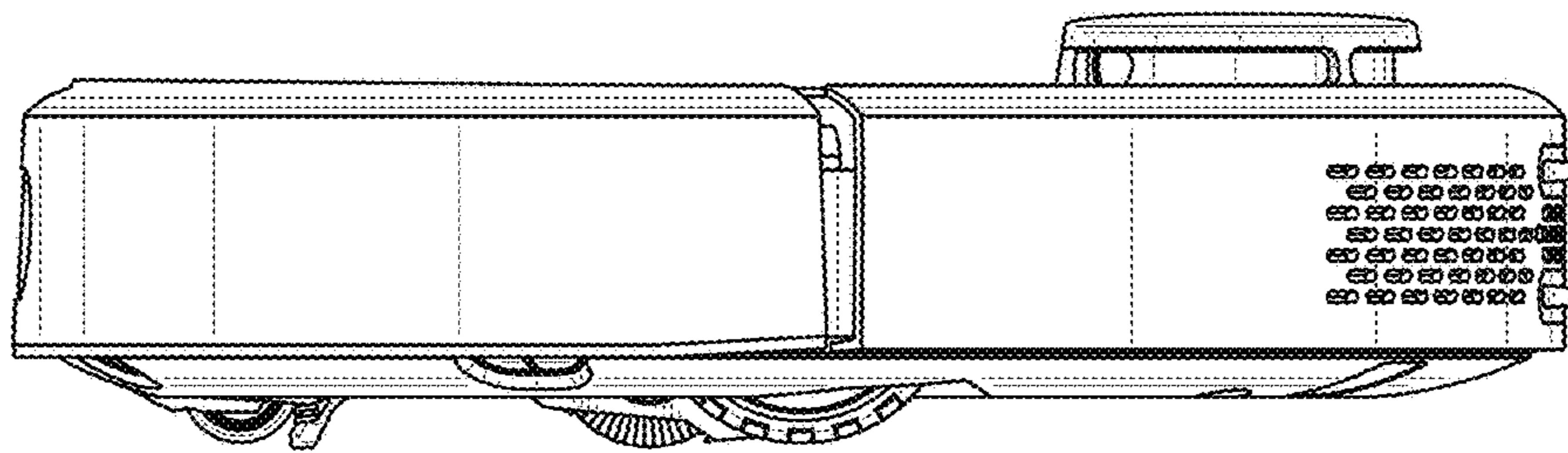
**FIG. 1**



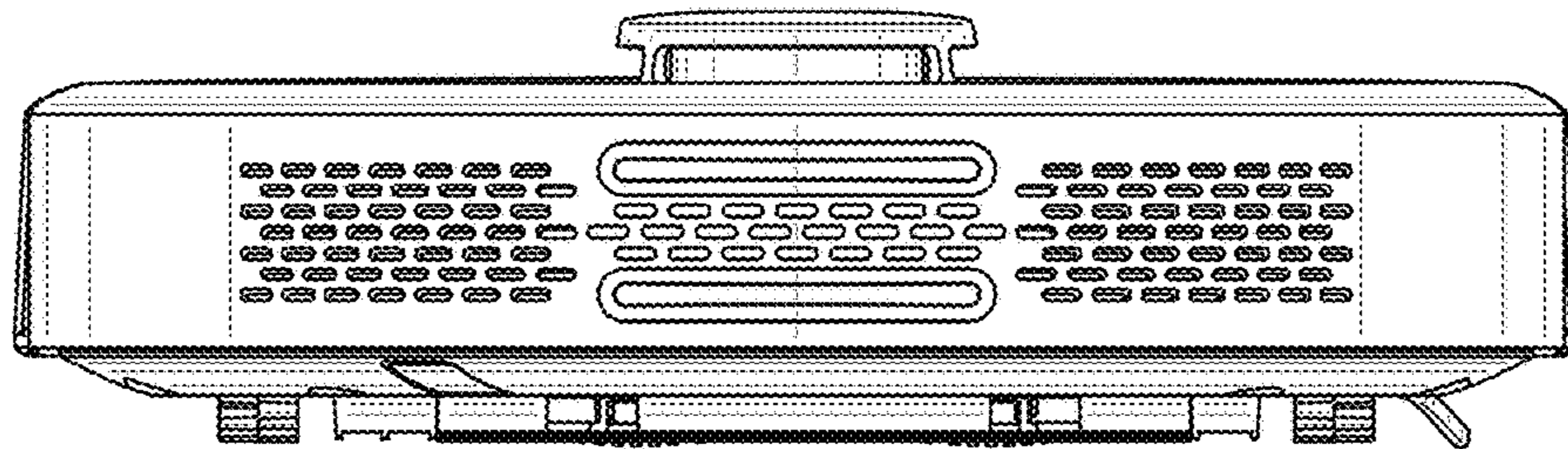
**FIG. 2**



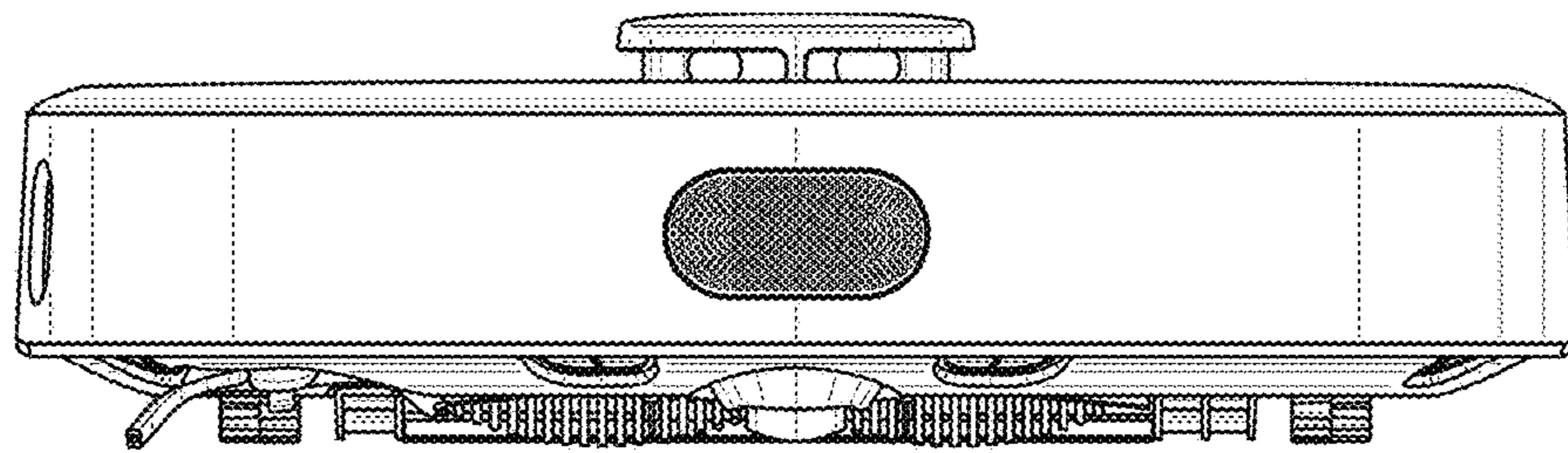
**FIG. 3**



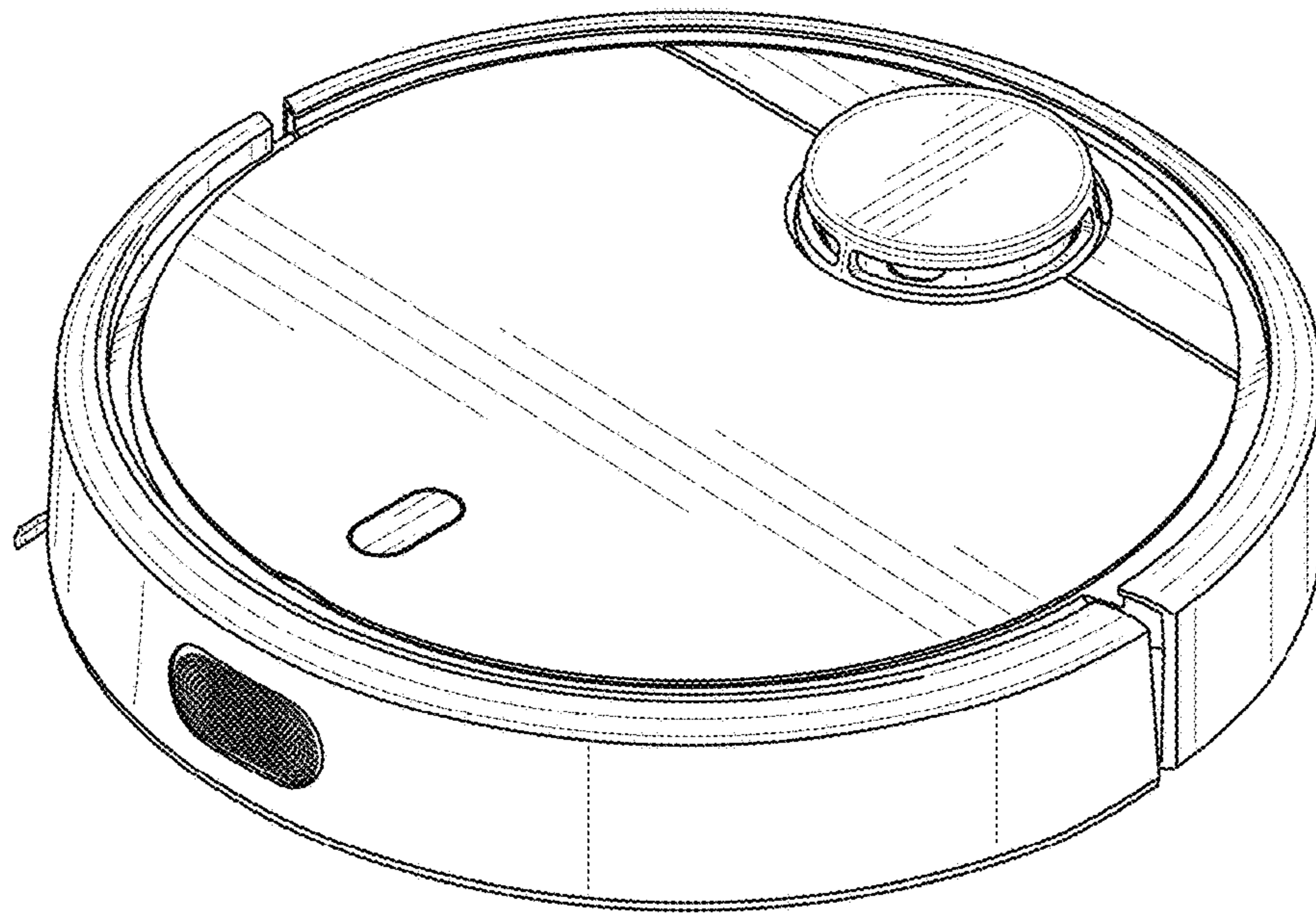
**FIG. 4**



**FIG. 5**

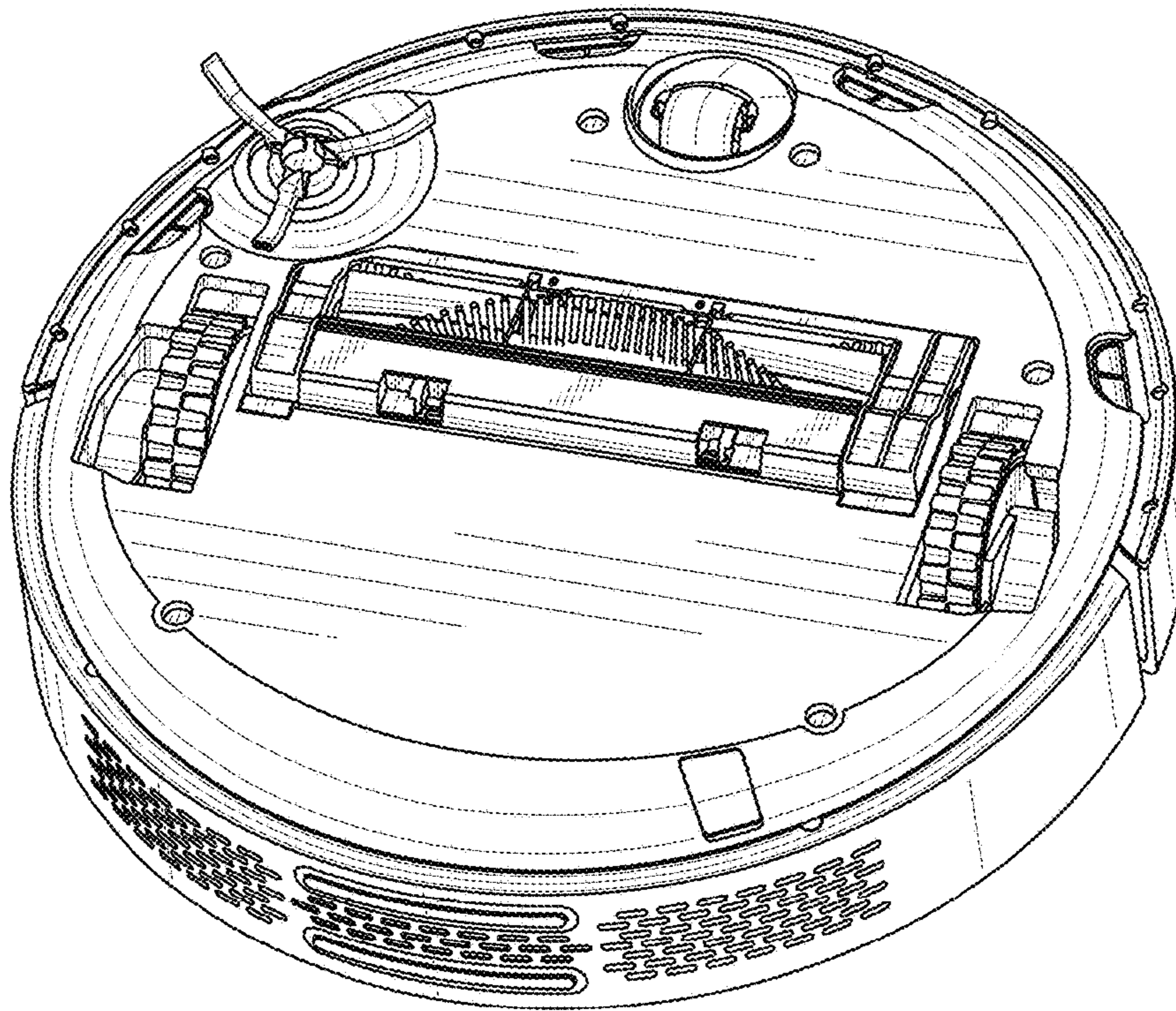


**FIG. 6**

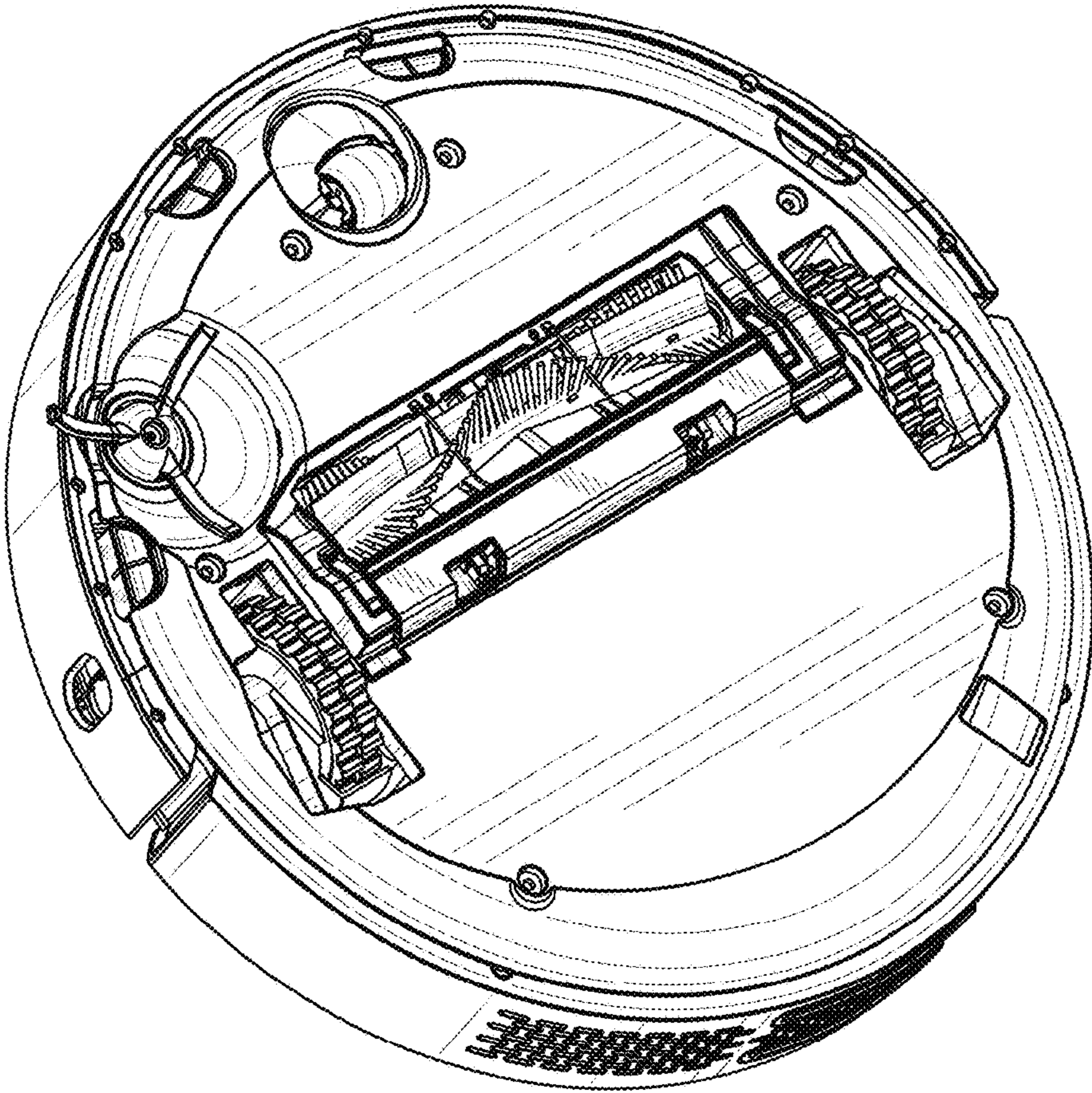


**FIG. 7**

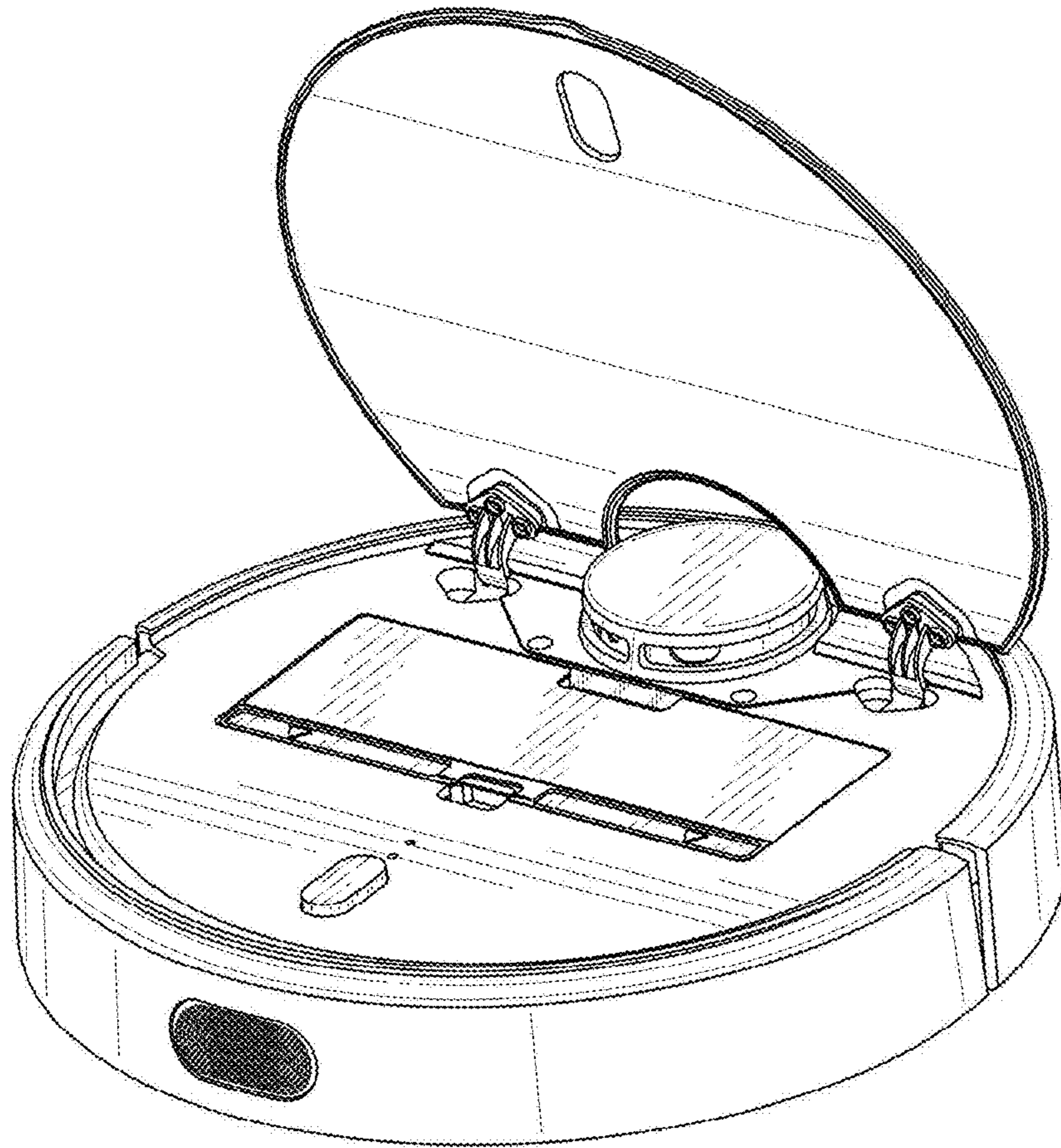




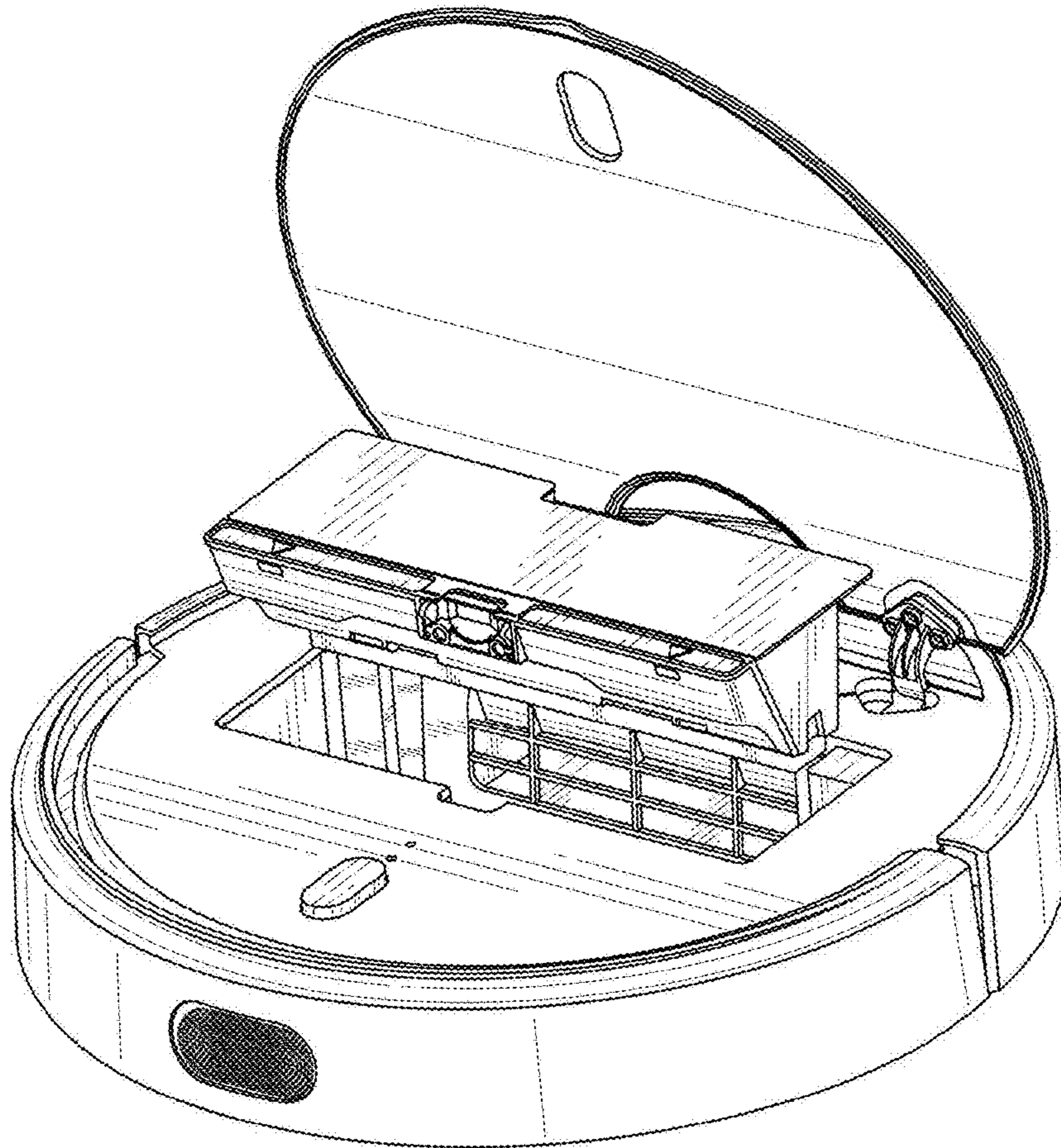
**FIG. 8**



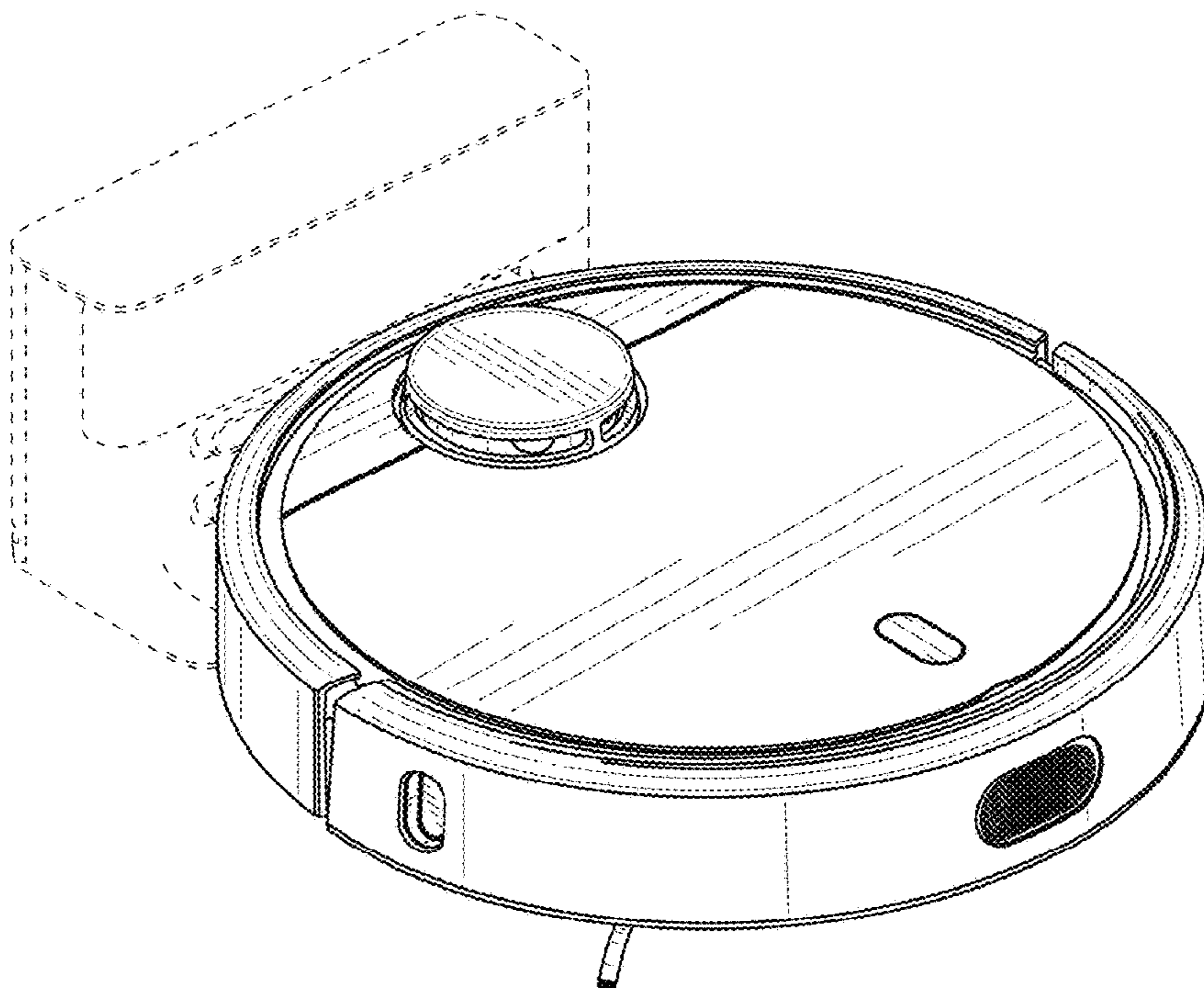
**FIG. 9**



**FIG. 10**



**FIG. 11**



**FIG. 12**