



US00D840615S

(12) **United States Design Patent** (10) **Patent No.:** **US D840,615 S**
Burgess et al. (45) **Date of Patent:** **** Feb. 12, 2019**

(54) **HANDHELD VACUUM CLEANER**

FOREIGN PATENT DOCUMENTS

(71) Applicant: **TTI (Macao Commercial Offshore) Limited**, Macau (MO)

AU 2011265411 A1 7/2012
CH 408311 A 2/1966

(Continued)

(72) Inventors: **Roddy Burgess**, Charlotte, NC (US);
Robert Patrick Warren, Charlotte, NC (US)

OTHER PUBLICATIONS

Dirt Devil Hand Vac Owner's Manual for Model No. 1-500181-001, 1995, (8 pages).

(Continued)

(73) Assignee: **TTI (Macao Commercial Offshore) Limited**, Praia Grande (MO)

(**) Term: **15 Years**

Primary Examiner — Ruth McInroy

(21) Appl. No.: **29/600,736**

(74) *Attorney, Agent, or Firm* — Michael Best & Friedrich LLP

(22) Filed: **Apr. 14, 2017**

(30) **Foreign Application Priority Data**

(57) **CLAIM**

Oct. 14, 2016 (CN) 2016 3 0504123

We claim the ornamental design for a handheld vacuum cleaner, as shown and described.

(51) **LOC (11) Cl.** **15-05**

(52) **U.S. Cl.**
USPC **D32/18**

(58) **Field of Classification Search**
USPC D32/21-24, 31, 34, 17-18
CPC A47L 5/24; A47L 5/22; A47L 5/28; A47L 5/225; A47L 5/362; A47L 5/365; A47L 9/2842; A47L 9/24; A47L 9/248
See application file for complete search history.

DESCRIPTION

FIG. 1 is a perspective view of a handheld vacuum cleaner showing our new design;
FIG. 2 is a right side view of the handheld vacuum cleaner shown in FIG. 1.
FIG. 3 is a left side view of the handheld vacuum cleaner shown in FIG. 1.
FIG. 4 is a front side view of the handheld vacuum cleaner shown in FIG. 1.
FIG. 5 is a back side view of the handheld vacuum cleaner shown in FIG. 1.
FIG. 6 is a top side view of the handheld vacuum cleaner shown in FIG. 1; and,
FIG. 7 is a bottom side view of the handheld vacuum cleaner shown in FIG. 1.
The elements shown in broken lines form no part of the claimed design.

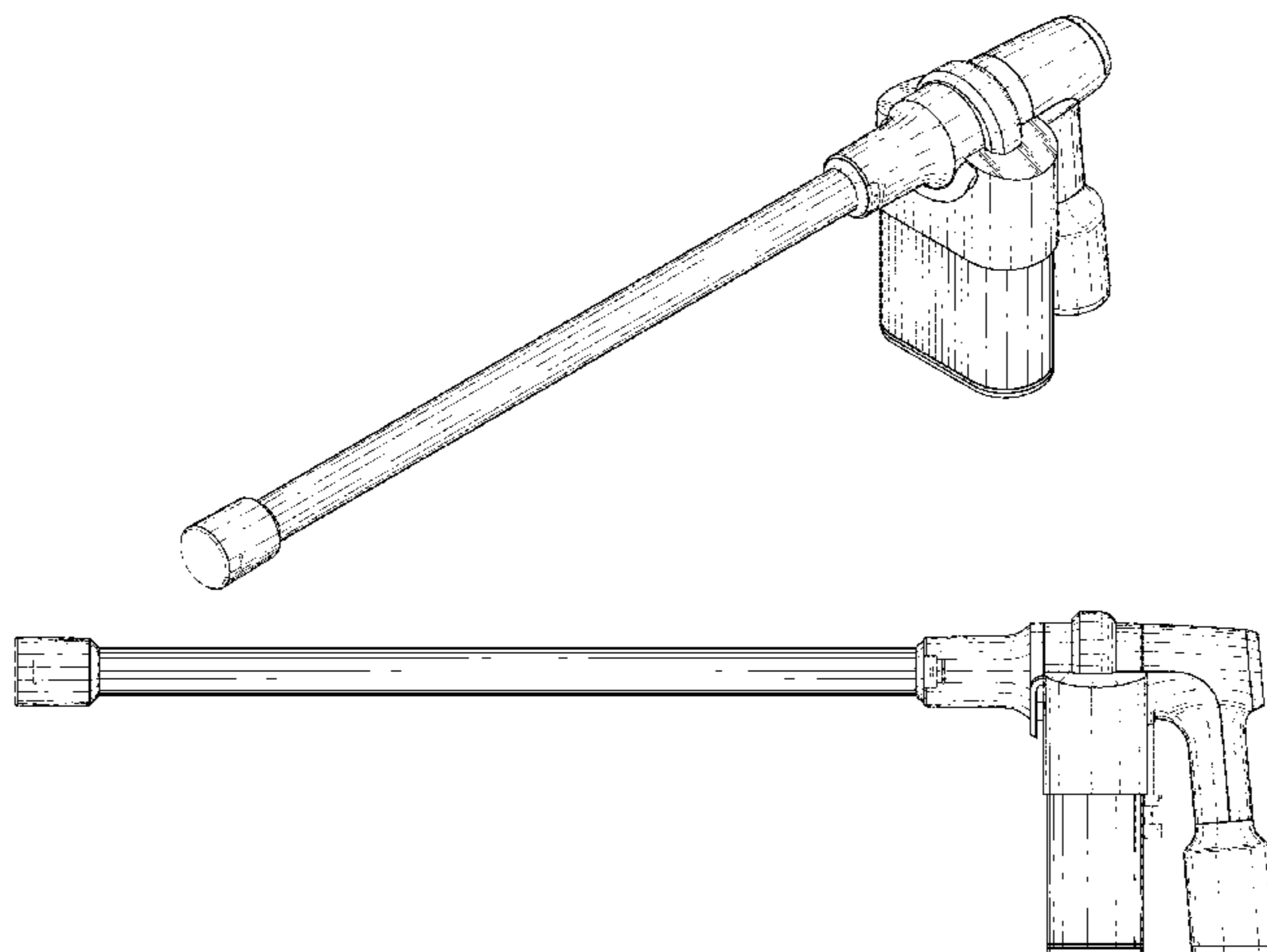
(56) **References Cited**

U.S. PATENT DOCUMENTS

2,729,303 A 1/1956 McMahan
D277,516 S * 2/1985 Hayden 15/344
D304,250 S * 10/1989 Hassel D32/18
6,029,309 A 3/2000 Imamura
6,058,560 A 5/2000 Gab et al.
6,237,648 B1 5/2001 Busacca et al.
6,256,834 B1 7/2001 Meijer et al.
D449,138 S * 10/2001 Dodson D32/18
6,571,422 B1 6/2003 Gordon et al.
7,143,467 B2 12/2006 Seith

(Continued)

1 Claim, 6 Drawing Sheets



(56)

References Cited

FOREIGN PATENT DOCUMENTS

| U.S. PATENT DOCUMENTS | | | FOREIGN PATENT DOCUMENTS | | |
|-----------------------|---------|---------------------------------------|--------------------------|-----------------|---------|
| | | | CN | 1090469 C | 9/2002 |
| | | | CN | 2527215 Y | 12/2002 |
| 7,237,298 B2 | 7/2007 | Reindle et al. | CN | 2528381 Y | 1/2003 |
| 7,254,865 B2 | 8/2007 | Bosses | CN | 1463669 A | 12/2003 |
| 7,310,854 B2 | 12/2007 | Nam et al. | CN | 1765306 A | 5/2006 |
| 7,325,272 B2 | 2/2008 | Bosses | CN | 1951295 A | 4/2007 |
| 7,424,766 B2 | 9/2008 | Reindle et al. | CN | 1954754 A | 5/2007 |
| 7,468,083 B2 | 12/2008 | Davis et al. | CN | 1954766 A | 5/2007 |
| 7,509,707 B2 | 3/2009 | Pullins | CN | 1973749 A | 6/2007 |
| 7,599,758 B2 | 10/2009 | Reindle et al. | CN | 201015573 Y | 2/2008 |
| 7,673,368 B2 | 3/2010 | Cloud, III | CN | 100374062 C | 3/2008 |
| 7,770,253 B2 | 8/2010 | Ha et al. | CN | 100382739 C | 4/2008 |
| 7,785,396 B2 | 8/2010 | Hwang et al. | CN | 101229029 A | 7/2008 |
| 7,823,249 B2 | 11/2010 | Zahuranec et al. | CN | 201153911 Y | 11/2008 |
| D635,728 S * | 4/2011 | Fjellman D32/22 | CN | 101313832 A | 12/2008 |
| 7,958,598 B2 | 6/2011 | Yun et al. | CN | 201167925 Y | 12/2008 |
| 7,998,234 B2 | 8/2011 | Hwang et al. | CN | 100450412 A | 1/2009 |
| 8,012,250 B2 | 9/2011 | Hwang et al. | CN | 101387876 A | 3/2009 |
| 8,021,452 B2 | 9/2011 | Hwang et al. | CN | 101558970 A | 10/2009 |
| 8,043,397 B2 | 10/2011 | Hwang et al. | CN | 101558976 A | 10/2009 |
| 8,043,410 B2 | 10/2011 | Hwang et al. | CN | 100571593 C | 12/2009 |
| 8,060,979 B2 | 11/2011 | Hwang et al. | CN | 101596086 A | 12/2009 |
| 8,092,562 B2 | 1/2012 | Sauer et al. | CN | 101612016 A | 12/2009 |
| 8,099,825 B2 | 1/2012 | Zahuranec et al. | CN | 101756674 A | 6/2010 |
| 8,240,001 B2 | 8/2012 | Hwang et al. | CN | 101822508 A | 9/2010 |
| D668,824 S * | 10/2012 | Miers D32/18 | CN | 101945607 A | 1/2011 |
| 8,286,299 B2 * | 10/2012 | Williams A47L 9/242 15/300.1 | CN | 101953666 A | 1/2011 |
| | | | CN | 201734660 U | 2/2011 |
| 8,302,250 B2 | 11/2012 | Dyson et al. | CN | 102068220 A | 5/2011 |
| 8,312,593 B2 | 11/2012 | Hwang et al. | CN | 102256524 A | 11/2011 |
| 8,404,034 B2 | 3/2013 | Hwang et al. | CN | 102599857 A | 7/2012 |
| 8,449,639 B2 | 5/2013 | Sauer et al. | CN | 202288130 U | 7/2012 |
| 8,460,256 B2 | 6/2013 | Michaels et al. | CN | 202526083 U | 11/2012 |
| 8,661,610 B2 | 3/2014 | Liu et al. | CN | 103037746 A | 4/2013 |
| D703,890 S * | 4/2014 | Shin D32/18 | CN | 202932857 U | 5/2013 |
| 8,689,398 B2 | 4/2014 | Chung et al. | CN | 203138359 U | 8/2013 |
| 8,726,457 B2 | 5/2014 | Liu et al. | CN | 203302992 U | 11/2013 |
| 8,726,459 B2 | 5/2014 | Yun et al. | CN | 203314892 U | 12/2013 |
| 8,806,705 B2 * | 8/2014 | Minor A01G 20/43 15/344 | CN | 103874446 A | 6/2014 |
| | | | CN | 203861136 U | 10/2014 |
| 8,916,002 B1 | 12/2014 | Landolt | CN | 203861137 U | 10/2014 |
| 9,015,897 B2 | 4/2015 | Jonsson et al. | CN | 203885442 U | 10/2014 |
| D731,136 S * | 6/2015 | Yun D32/34 | CN | 203914785 U | 11/2014 |
| D731,720 S * | 6/2015 | Gidwell D32/18 | CN | 104224049 A | 12/2014 |
| D731,724 S * | 6/2015 | Cheon D32/22 | CN | 204192519 U | 3/2015 |
| 9,113,764 B2 | 8/2015 | Theising | CN | 204274321 U | 4/2015 |
| D738,584 S * | 9/2015 | Niedzwecki D32/18 | CN | 205092625 U | 3/2016 |
| 9,138,113 B2 | 9/2015 | Nesom et al. | CN | 105496311 A | 4/2016 |
| D742,083 S * | 10/2015 | Gidwell D32/31 | CN | 105496312 A | 4/2016 |
| 9,232,879 B2 | 1/2016 | Schultink et al. | CN | 205162973 U | 4/2016 |
| D770,111 S * | 10/2016 | Lee D32/34 | CN | 205162975 U | 4/2016 |
| D771,890 S * | 11/2016 | Kim D32/34 | CN | 105534412 A | 5/2016 |
| D772,512 S * | 11/2016 | Yoon D32/34 | CN | 105581731 A | 5/2016 |
| D774,260 S * | 12/2016 | Manning D32/22 | CN | 105595920 A | 5/2016 |
| D775,772 S * | 1/2017 | Lee D32/31 | CN | 105640438 A | 6/2016 |
| D792,665 S * | 7/2017 | Salagnac D32/18 | CN | 205458450 U | 8/2016 |
| D798,009 S * | 9/2017 | Salagnac D32/18 | CN | 205514398 U | 8/2016 |
| D799,767 S * | 10/2017 | Palladino D32/22 | CN | 205514399 U | 8/2016 |
| D800,977 S * | 10/2017 | Dammkoehler D32/18 | CN | 205514400 U | 8/2016 |
| D800,978 S * | 10/2017 | Dammkoehler D32/18 | CN | 205514401 U | 8/2016 |
| D800,980 S * | 10/2017 | Carter D32/21 | CN | 205649469 U | 10/2016 |
| D804,114 S * | 11/2017 | Kim D32/18 | CN | 106175594 A | 12/2016 |
| 2005/0091784 A1 | 5/2005 | Bone | DE | 10055926 A1 | 5/2002 |
| 2005/0183230 A1 | 8/2005 | Uehigashi | DE | 102007036157 A1 | 2/2009 |
| 2005/0273968 A1 | 12/2005 | Seith | DE | 202008002310 U1 | 6/2009 |
| 2007/0214597 A1 | 9/2007 | Suzuki | DE | 102008010068 A1 | 8/2009 |
| 2008/0134461 A1 | 6/2008 | Hedelund Nielsen | DE | 102008038893 A1 | 2/2010 |
| 2009/0139048 A1 | 6/2009 | Williams | DE | 102009035717 A1 | 2/2011 |
| 2009/0241285 A1 | 10/2009 | Hinklin et al. | DE | 102011006542 A1 | 10/2012 |
| 2010/0293742 A1 | 11/2010 | Chung et al. | DE | 102011052023 A1 | 1/2013 |
| 2011/0232687 A1 | 9/2011 | Stein | DE | 202011052208 U1 | 3/2013 |
| 2012/0152280 A1 | 6/2012 | Bosses et al. | DE | 202013100862 U1 | 3/2013 |
| 2013/0185892 A1 | 7/2013 | Walker | DE | 202013103508 U1 | 8/2013 |
| 2016/0051109 A1 | 2/2016 | Hwang et al. | DE | 102014002743 B3 | 9/2014 |
| 2017/0000305 A1 | 1/2017 | Gordon et al. | DE | 202015101218 U1 | 4/2015 |
| 2017/0258282 A1 | 9/2017 | Shinagawa | DE | 202014100563 U1 | 5/2015 |
| | | | DE | 102014209925 A1 | 11/2015 |

(56)

References Cited

FOREIGN PATENT DOCUMENTS

| | | | |
|----|--------------|----|---------|
| DE | 102015108462 | A1 | 12/2016 |
| EP | 1836941 | A2 | 9/2007 |
| EP | 1894507 | A1 | 3/2008 |
| EP | 1480545 | B1 | 4/2008 |
| EP | 1318746 | B1 | 9/2009 |
| EP | 1933685 | B1 | 5/2012 |
| EP | 2249688 | B1 | 5/2013 |
| EP | 2378940 | B1 | 5/2013 |
| EP | 2732747 | A1 | 5/2014 |
| EP | 2772173 | A1 | 9/2014 |
| EP | 2820991 | A1 | 1/2015 |
| GB | 2441962 | A | 3/2008 |
| WO | WO2007033977 | A1 | 3/2007 |
| WO | WO2009011482 | A1 | 1/2009 |
| WO | WO2016206732 | A1 | 12/2016 |
| WO | WO2016096045 | A1 | 1/2017 |

OTHER PUBLICATIONS

United States Patent Office Action for U.S. Appl. No. 29/600,733 dated Apr. 17, 2018 (8 pages).

United States Patent Office Action for U.S. Appl. No. 15/488,047 dated Sep. 26, 2018 (7 pages).

United States Patent Office Notice of Allowance for U.S. Appl. No. 29/600,733 dated Oct. 25, 2018 (6 pages).

* cited by examiner

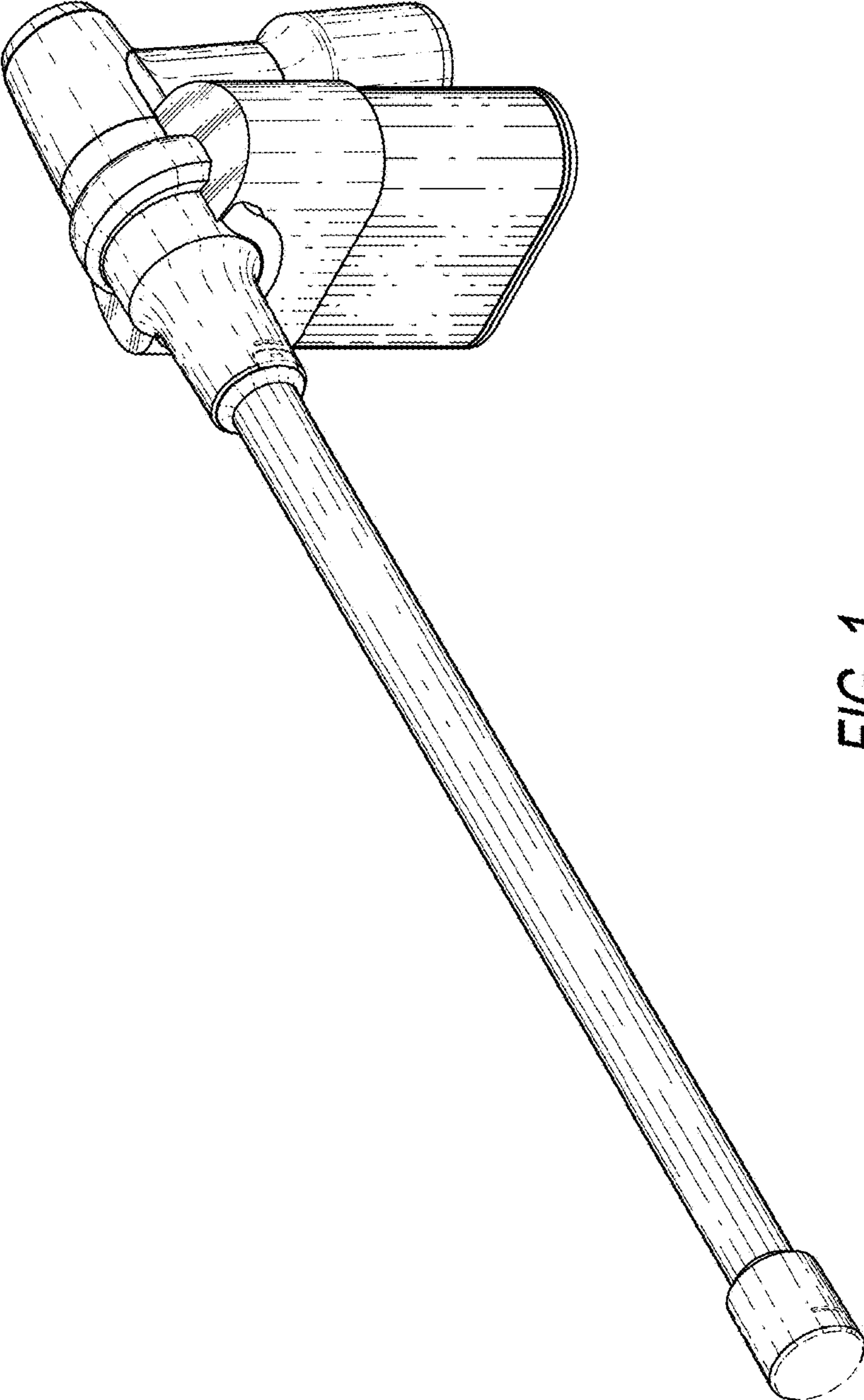


FIG. 1

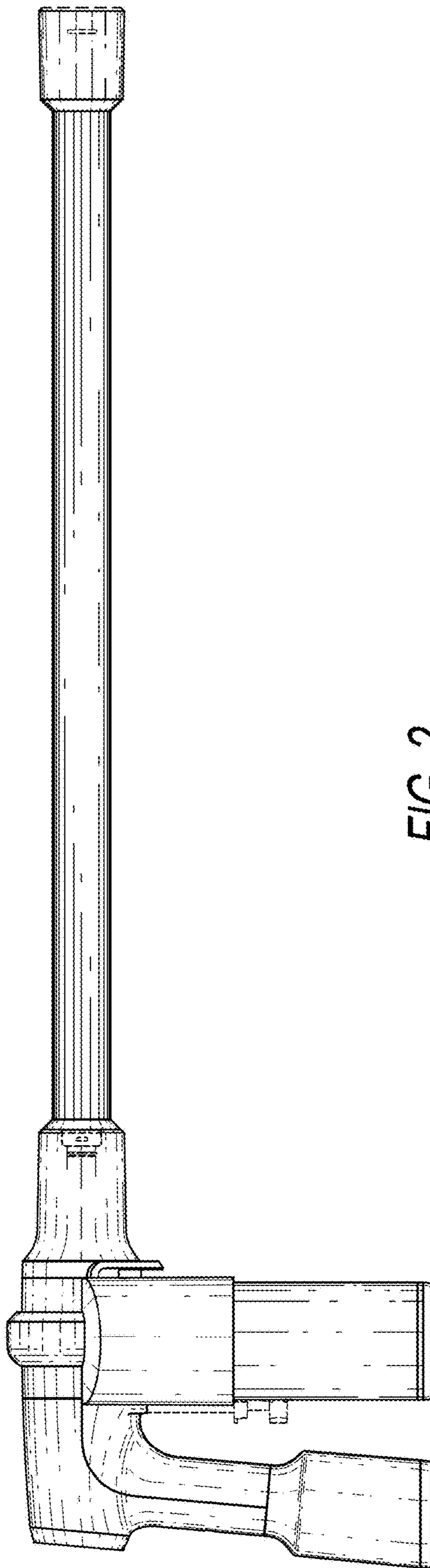


FIG. 2



FIG. 3

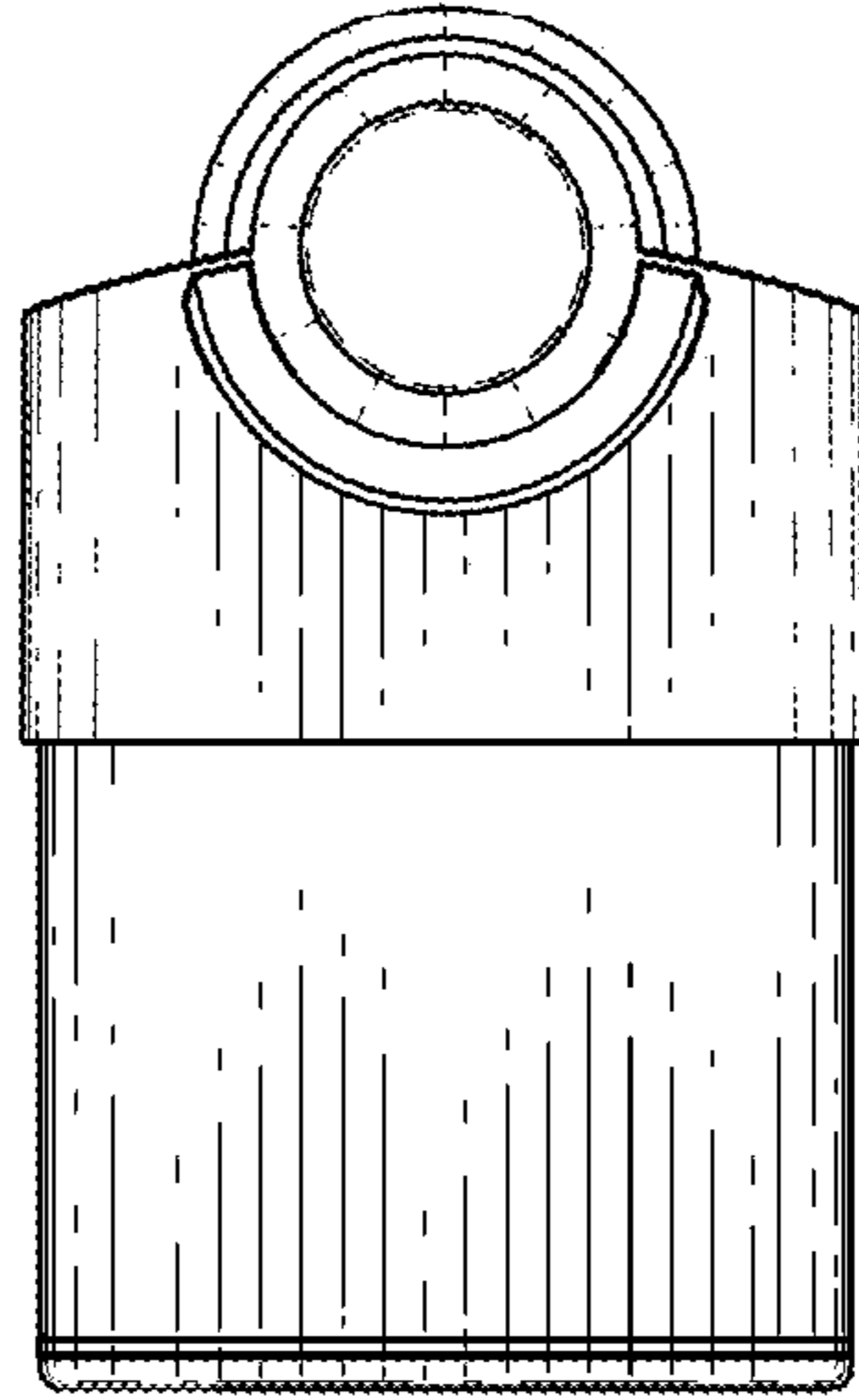


FIG. 4

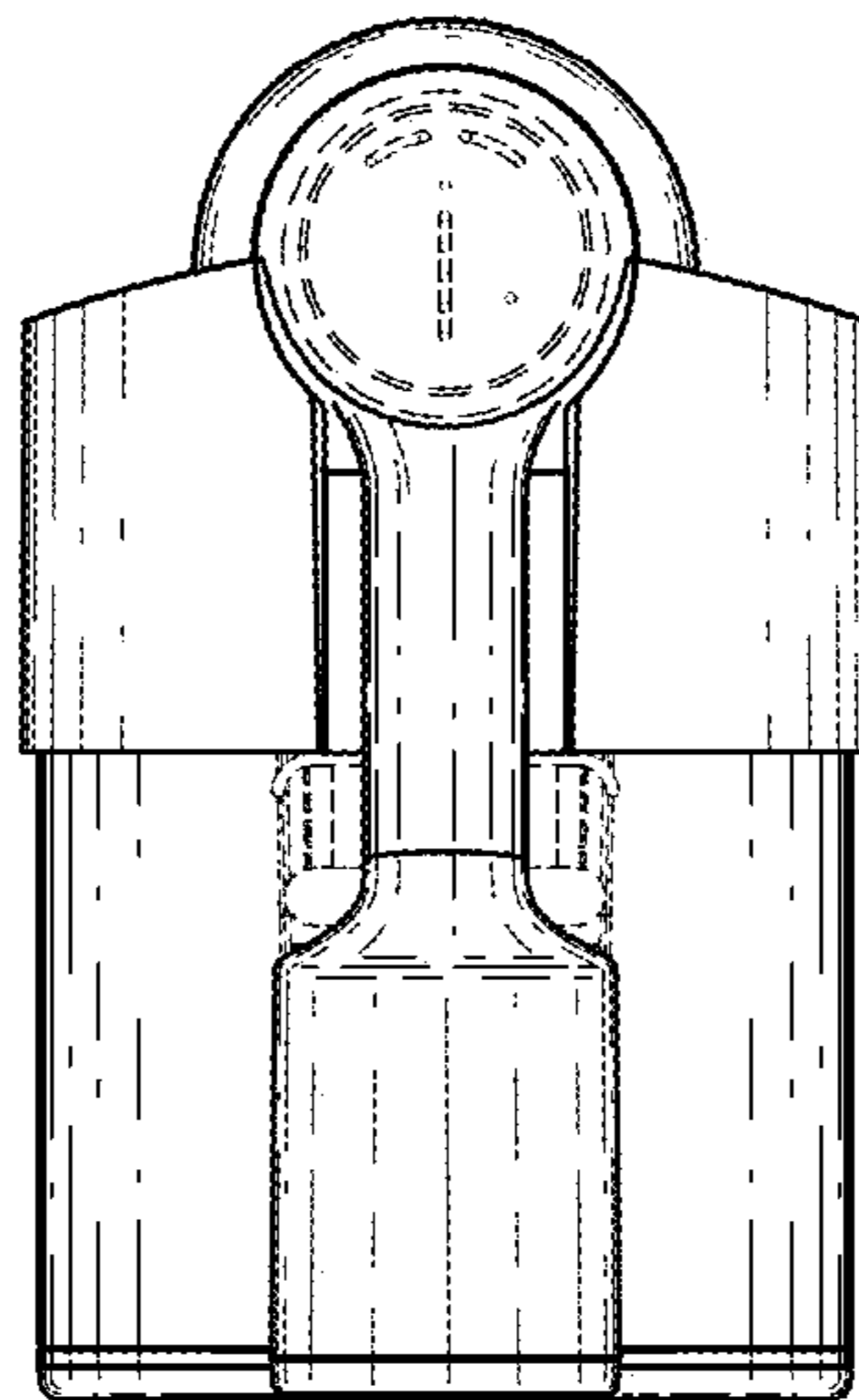


FIG. 5

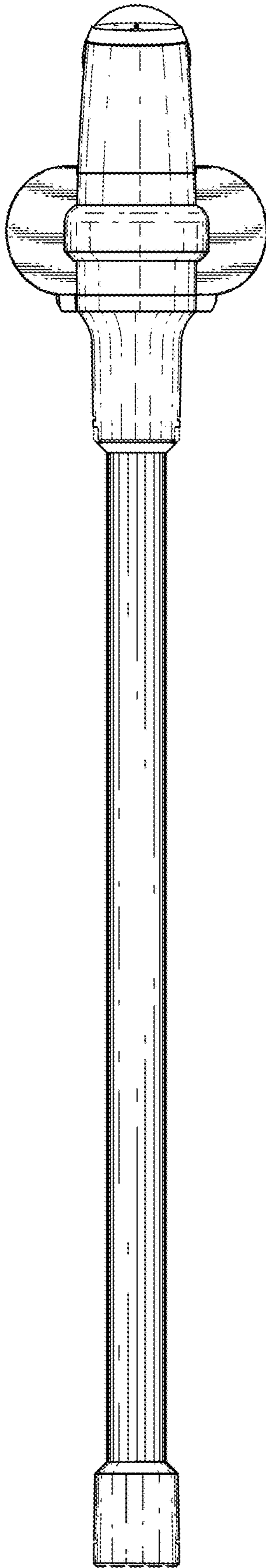


FIG. 6

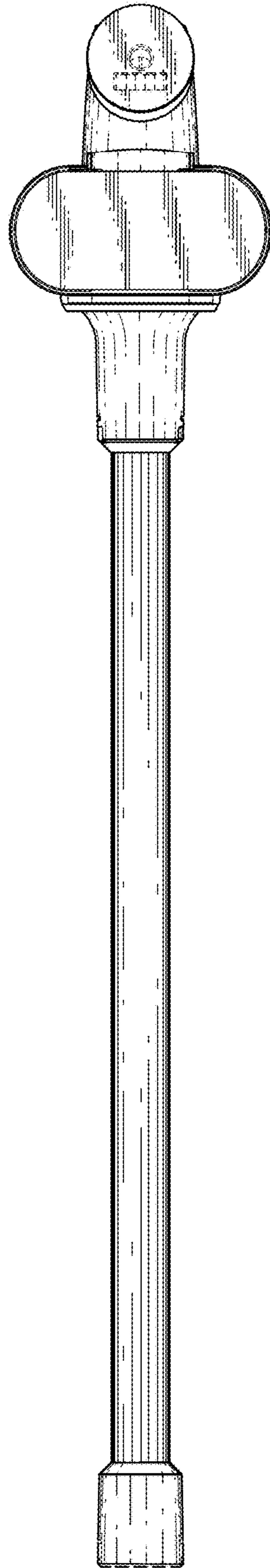


FIG. 7