



US00D840614S

(12) **United States Design Patent** (10) **Patent No.:** **US D840,614 S**
Bixby et al. (45) **Date of Patent:** **** *Feb. 12, 2019**

(54) **FRONTLOAD DRYING APPLIANCE**

(56) **References Cited**

(71) Applicant: **WHIRLPOOL CORPORATION**,
Benton Harbor, MI (US)
(72) Inventors: **Seth E. Bixby**, Stevensville, MI (US);
Richard K. Gresens, St. Joseph, MI
(US); **John W. McConnell**, St. Joseph,
MI (US); **Patrick J. Schiavone**, Benton
Harbor, MI (US); **Samuel B.**
Breneman, St. Joseph, MI (US)
(73) Assignee: **Whirlpool Corporation**, Benton
Harbor, MI (US)

U.S. PATENT DOCUMENTS

3,196,553 A 7/1965 Deaton et al.
3,972,130 A 8/1976 Mason
4,213,250 A 7/1980 Hawkins
D292,630 S 11/1987 Nagai et al.
D360,500 S 7/1995 Millet et al.
D360,501 S * 7/1995 Ertz D32/6
D360,716 S 7/1995 Ertz et al.
5,661,914 A * 9/1997 Millet D06F 39/14
34/601
D527,853 S * 9/2006 Carey D32/6
D532,941 S * 11/2006 Carey D32/6
D575,464 S 8/2008 Rossetto et al.

(Continued)

Primary Examiner — Michelle E. Wilson
(74) *Attorney, Agent, or Firm* — Price Heneveld LLP

(*) Notice: This patent is subject to a terminal dis-
claimer.

(57) **CLAIM**

(**) Term: **15 Years**

We claim the ornamental design for a frontload drying
appliance, as shown.

(21) Appl. No.: **29/613,291**

DESCRIPTION

(22) Filed: **Aug. 9, 2017**

Related U.S. Application Data

(62) Division of application No. 29/499,817, filed on Aug.
19, 2014, now Pat. No. Des. 798,005.

(51) **LOC (11) Cl.** **15-05**

(52) **U.S. Cl.**
USPC **D32/8**

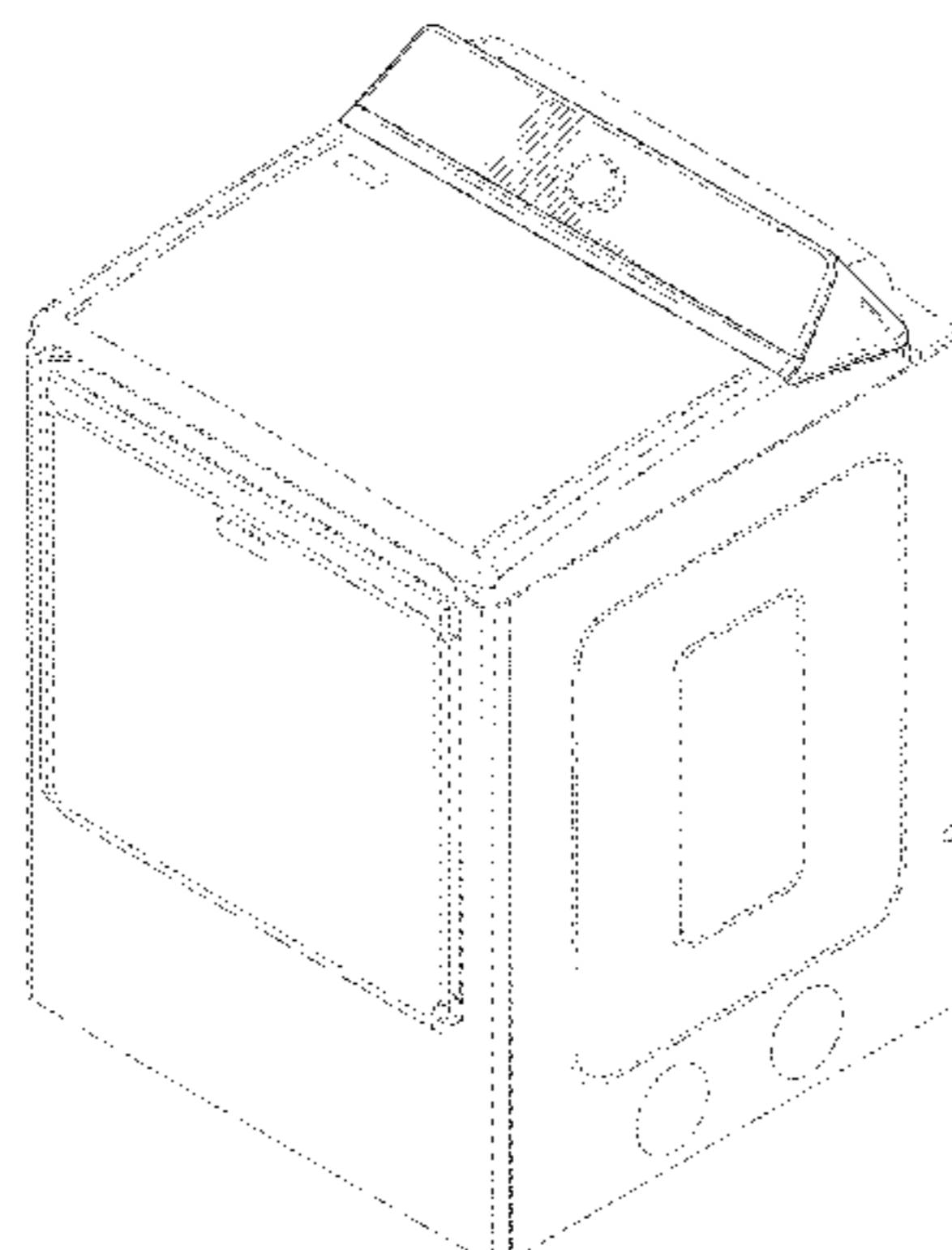
(58) **Field of Classification Search**
USPC D32/1, 5, 6, 8, 12, 25, 28, 29
CPC D06F 33/02; D06F 39/02; D06F 2204/065;
D06F 25/00; D06F 35/006; D06F 58/00;
D06F 58/02; D06F 58/04; D06F 58/20;
D06F 23/04; D06F 39/12; D06F 39/022;
C05B 19/042

FIG. 1 is a first top perspective view of the frontload drying
appliance of the present invention;
FIG. 2 is a second top perspective view of the frontload
drying appliance of the present invention;
FIG. 3 is a top plan view of the frontload drying appliance
of the present invention;
FIG. 4 is a bottom plan view of the frontload drying
appliance of the present invention;
FIG. 5 is a first side elevation view of the frontload drying
appliance of the present invention;
FIG. 6 is a second side elevation view of the frontload drying
appliance of the present invention;
FIG. 7 is a third side elevation view of the frontload drying
appliance of the present invention; and,
FIG. 8 is a fourth side elevation view of the frontload drying
appliance of the present invention.

The broken lines in the figures are for contextual purposes
or show the environment and form no part of the claimed
design.

See application file for complete search history.

1 Claim, 8 Drawing Sheets



(56)

References Cited

U.S. PATENT DOCUMENTS

D630,807 S *	1/2011	Song	D32/6
D661,852 S	6/2012	Song et al.	
8,523,300 B2 *	9/2013	Najera Bernal	D06F 39/14 312/228
D701,659 S	3/2014	Choi et al.	
D703,887 S	4/2014	Lee et al.	
D730,597 S	5/2015	Jeon et al.	
D758,030 S *	5/2016	Bixby	D32/25
D758,031 S *	5/2016	Bixby	D32/25
D758,032 S *	5/2016	Bixby	D32/25
D798,005 S *	9/2017	Bixby	D32/6
D798,510 S *	9/2017	Bixby	D32/6
D798,511 S *	9/2017	Bixby	D32/6

* cited by examiner

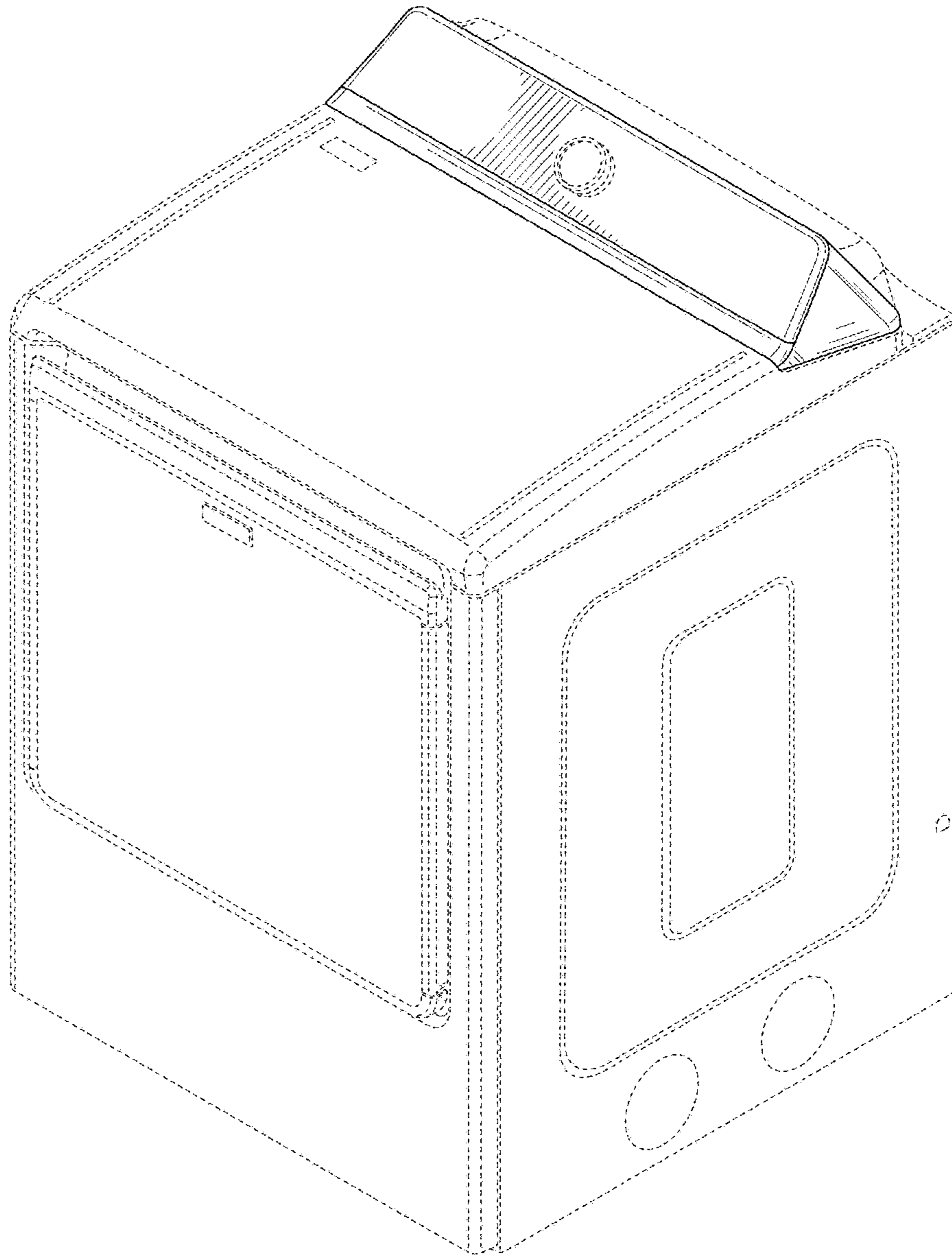


FIG. 1

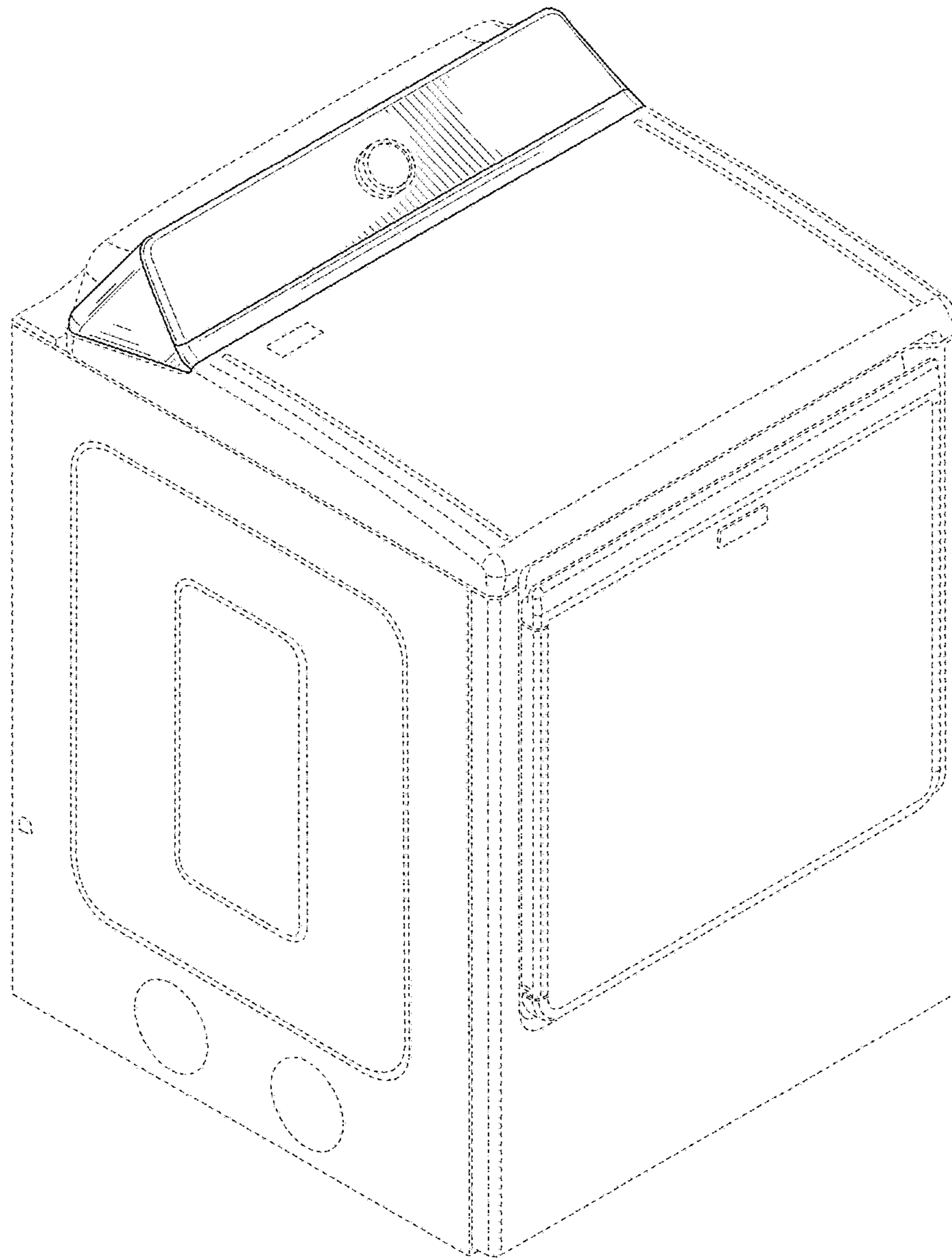


FIG. 2

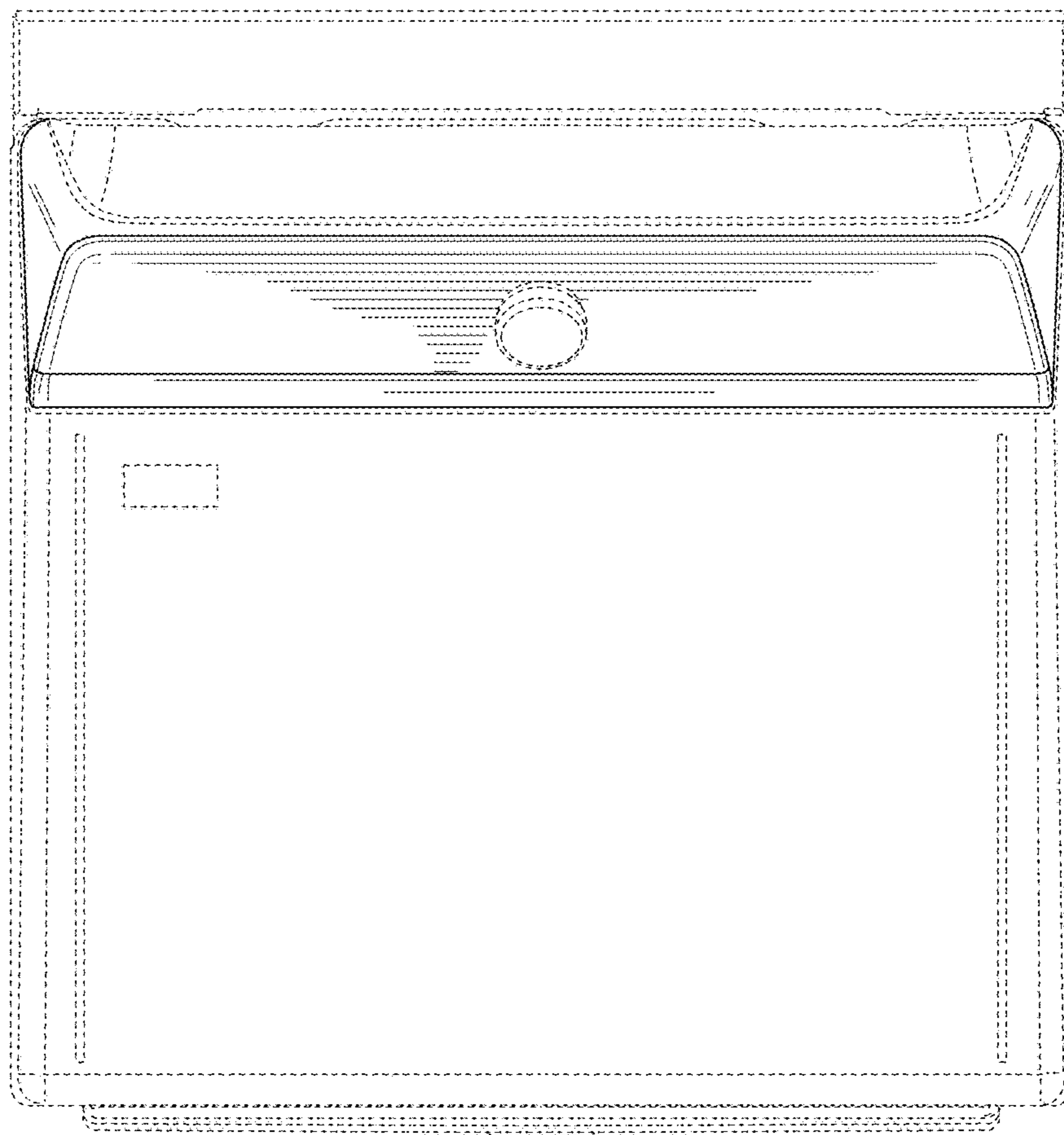


FIG. 3

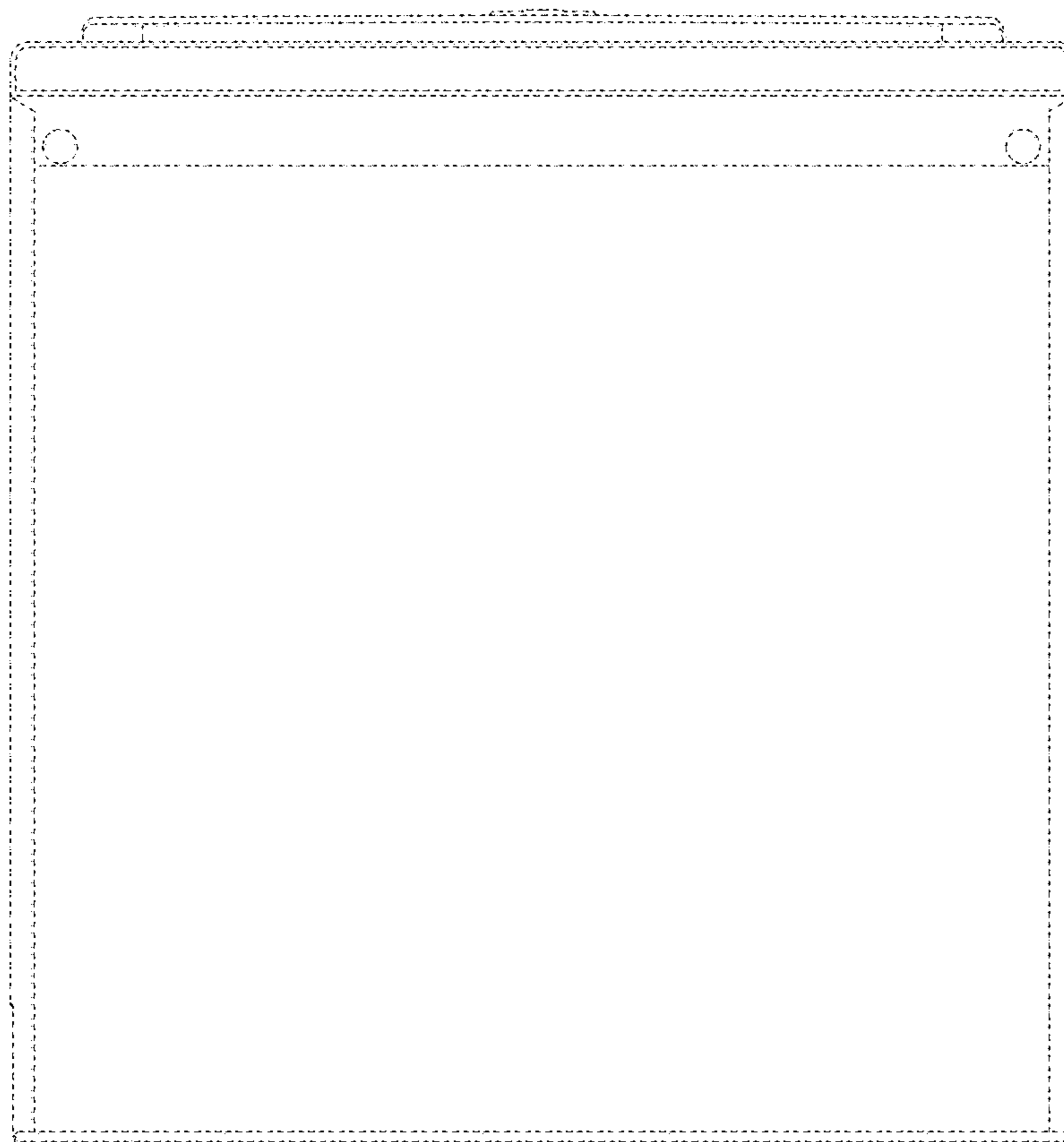


FIG. 4

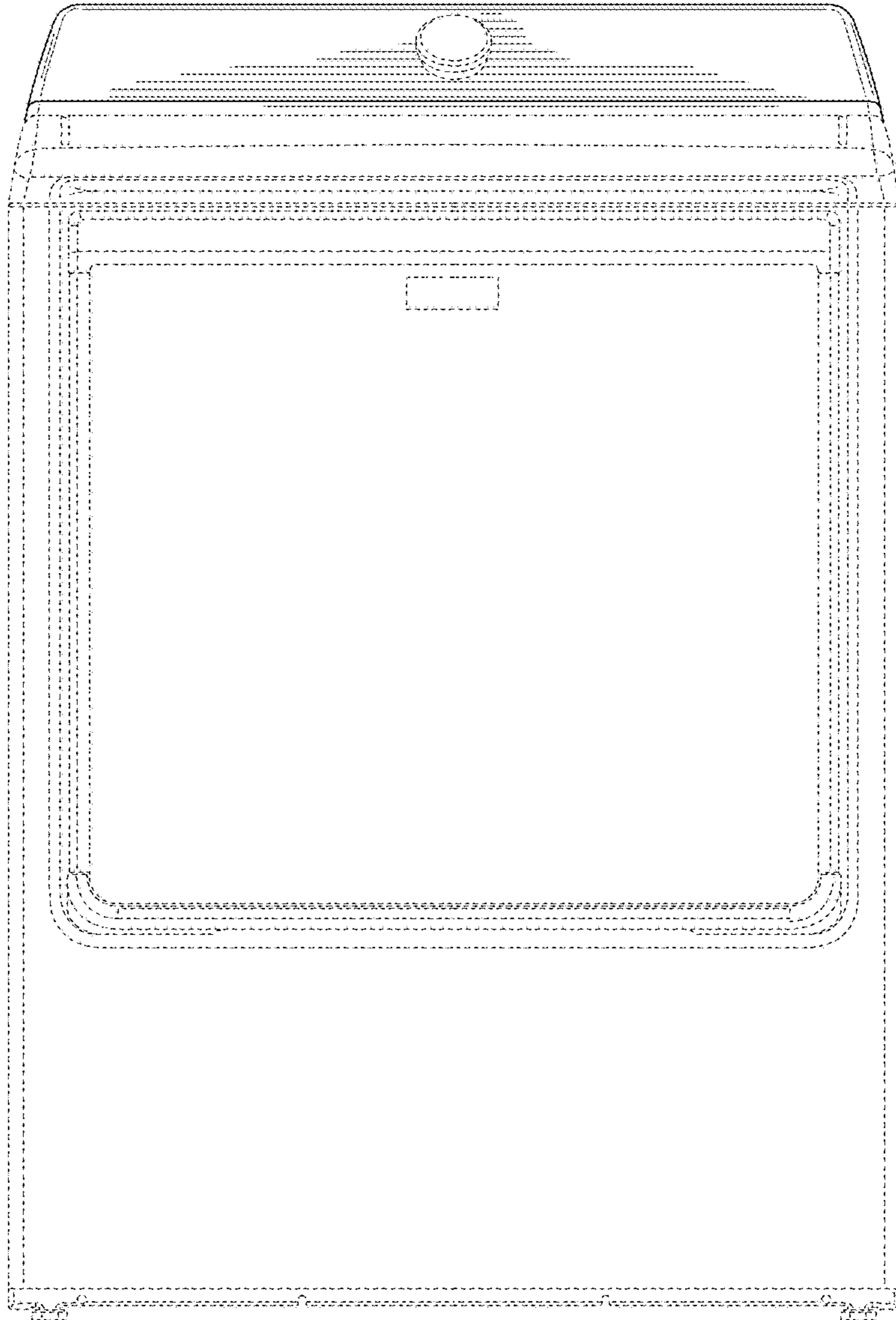


FIG. 5

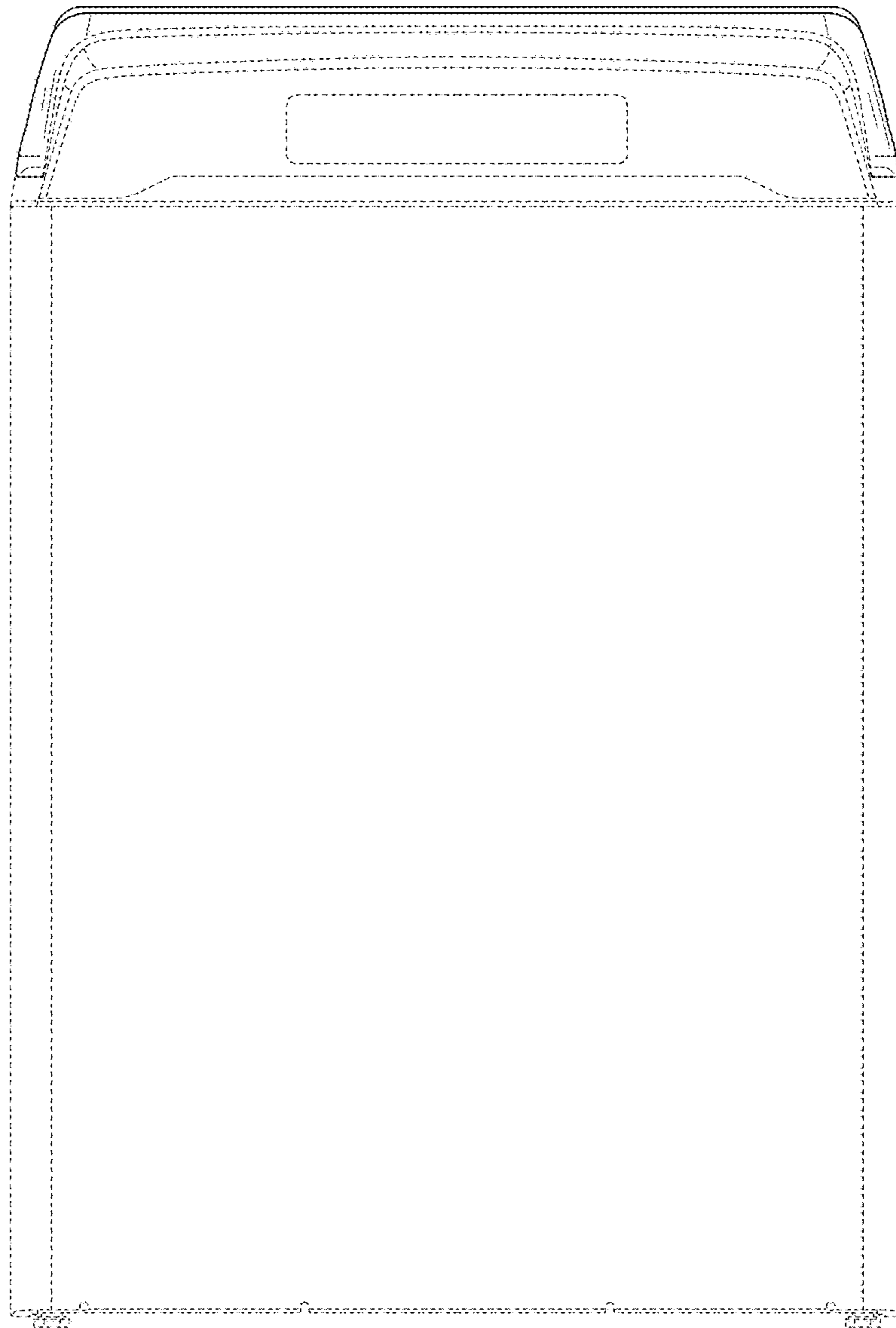


FIG. 6

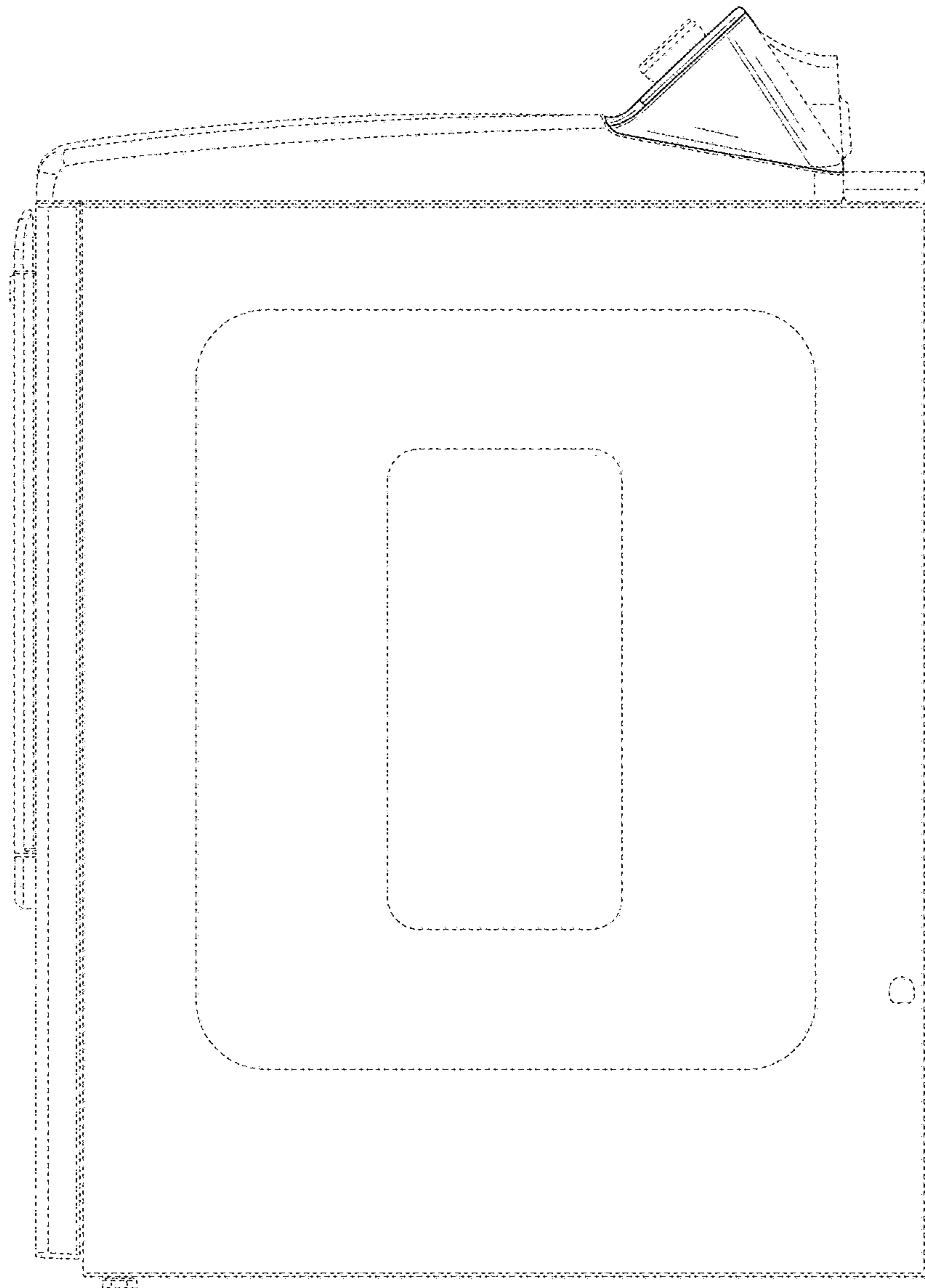


FIG. 7

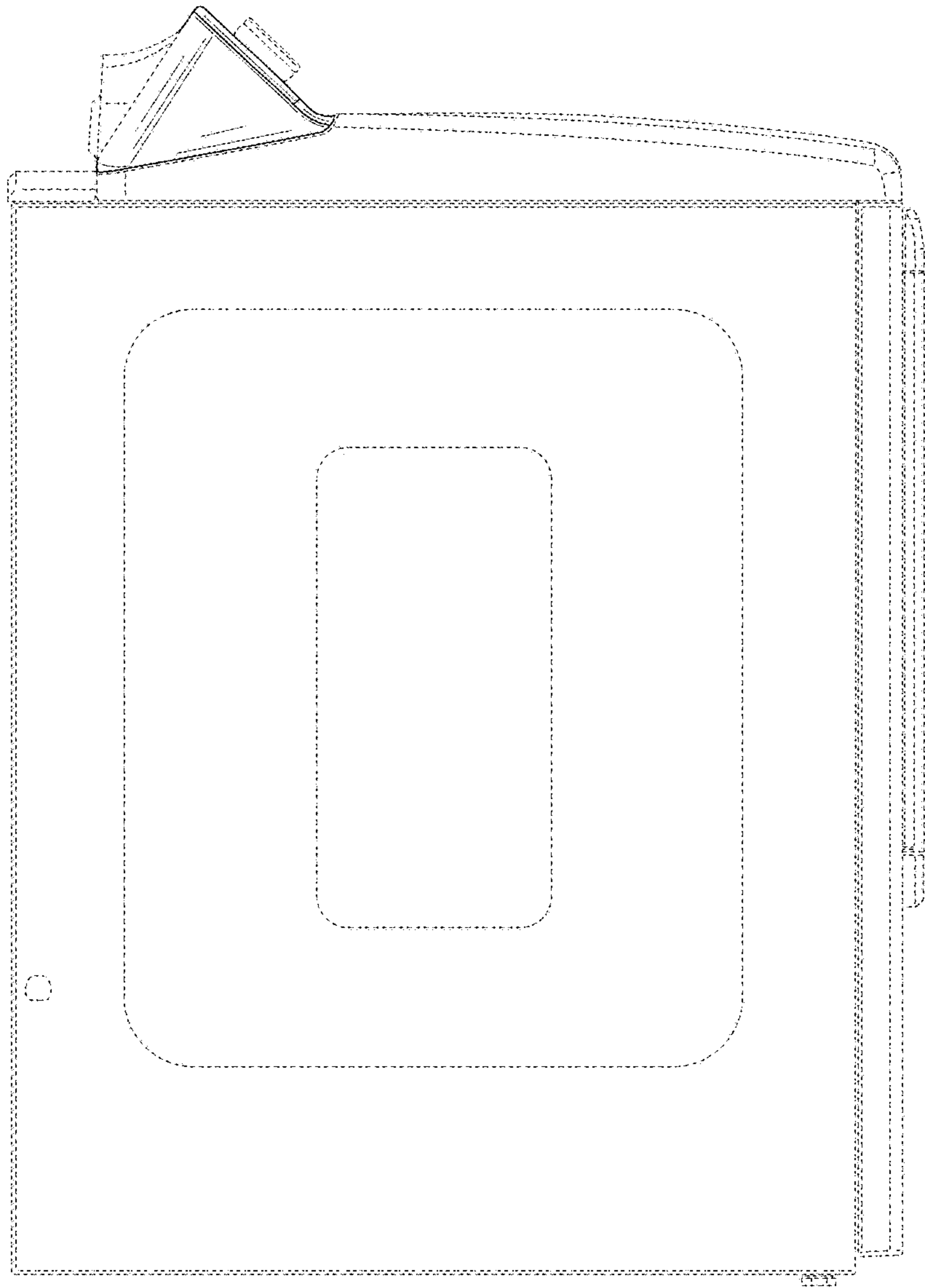


FIG. 8