



US00D840612S

(12) **United States Design Patent**  
**McMillan et al.**

(10) **Patent No.: US D840,612 S**

(45) **Date of Patent: \*\* Feb. 12, 2019**

(54) **TRAINING TOOL**

(71) Applicant: **ANIMAL EXPERT, LLC**, Agoura Hills, CA (US)

(72) Inventors: **Brandon Parrish McMillan**, Los Angeles, CA (US); **Jack Renforth**, Azle, TX (US); **Nicholas Baker**, Fort Worth, TX (US)

(73) Assignee: **ANIMAL EXPERT, LLC**, Agoura Hills, CA (US)

(\*\*) Term: **15 Years**

(21) Appl. No.: **29/597,760**

(22) Filed: **Mar. 20, 2017**

(51) **LOC (11) Cl.** ..... **30-99**

(52) **U.S. Cl.**  
USPC ..... **D30/199**

(58) **Field of Classification Search**  
USPC ..... D30/121, 160, 122, 129-133, 199, 162; 119/701-712, 719, 51.11, 51.13, 51.15, 119/61.5, 51.01, 61.56, 51.03, 59, 62, 63, 119/51.5, 57.8, 74, 61.54, 61.55, 61, 867, 119/161; 312/204; 248/151, 188; 108/156, 153.1-157; 220/23.87, 630, 220/737, 743, 9.4, 495.01, 574, 212, 255, 220/23.83, 575; 206/515; D7/586, 543, D7/550.1, 587, 505, 584, 545, 500, D7/553.1-553.8, 546, 555, 556, 504, 565, D7/562, 602, 507, 549, 558, 552.2, 560, D7/566, 548, 681, 578, 588, 568, 642, D7/644, 683, 685-688, 510, 511; D9/609, 643, 422, 424, 414, 305, 686, D9/561, 529, 430, 549, 734; 43/109; D22/122; 99/430, DIG. 15; D21/656, D21/576, 406, 408, 490, 470, 532; D1/124; 446/71-76, 81, 369, 268-270, 446/279, 280, 424-428, 491, 330, 86; D32/29.1, 35; D23/366; D11/143, 149,

D11/152, 156, 157, 161; 221/256, 255, 221/257, 263, 267-272, 276, 281-283, 221/289, 290, 202, 233, 247, 248, 250; 222/498, 505, 509, 511, 173-175, 180, 222/181.1, 182, 185.1, 191, 205, 336,  
(Continued)

(56) **References Cited**

U.S. PATENT DOCUMENTS

D58,905 S \* 9/1921 Harrington ..... D9/414  
1,598,235 A \* 8/1926 Barbieri ..... B65D 5/0245  
206/494

(Continued)

*Primary Examiner* — Susan Moon Lee

(74) *Attorney, Agent, or Firm* — Global IP Counselors, LLP

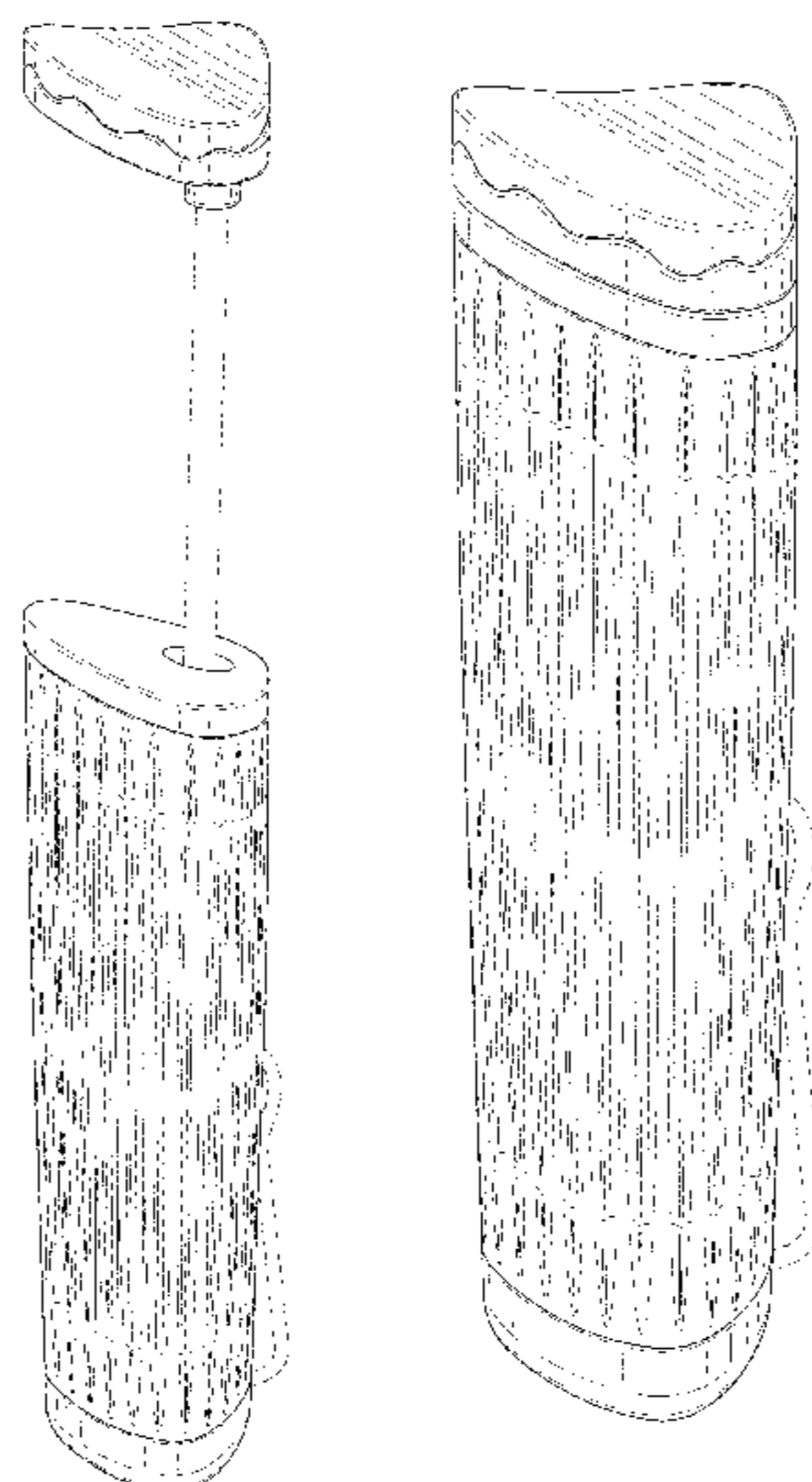
(57) **CLAIM**

The ornamental design for a training tool, as shown and described.

**DESCRIPTION**

FIG. 1 is a front perspective view of a training tool in the open position in accordance with our new design;  
FIG. 2 is a front view thereof;  
FIG. 3 is a back view thereof;  
FIG. 4 is a left side view thereof;  
FIG. 5 is a right side view thereof;  
FIG. 6 is a top view of the training tool;  
FIG. 7 is a bottom view thereof;  
FIG. 8 is a cross-sectional view thereof, the location of which is shown in FIG. 2; and,  
FIG. 9 is a front perspective view of a training tool in the closed position in accordance with our new design;  
The broken lines depict environmental subject matter, are for illustration only, and form no part of the claimed design.

**1 Claim, 7 Drawing Sheets**



# US D840,612 S

(58) **Field of Classification Search**  
 USPC ..... 222/465.1, 469, 470-474; 428/34.1;  
 D3/201, 203.2, 212, 254, 259, 294, 315,  
 D3/203.5, 265; 273/447; D8/4, 52, 58,  
 D8/51; D34/1, 10, 28, 34, 35; D29/124;  
 294/1.3-1.5, 19.2, 19.3, 86.4, 86.11,  
 294/86.19, 86.42, 86.12, 86.17, 86.2,  
 294/86.21, 86.24, 86.26, 86.32, 87.26,  
 294/196-198, 210, 111, 49-57; 132/273,  
 132/277, 283, 284, 128-156, 236, 252,  
 132/259-263; 15/257.1, 257.6-257.7;  
 D24/113, 111, 108; D19/119, 901, 902,  
 D19/916, 927, 931, 156, 157, 123  
 CPC ..... A01K 5/01-5/0142; A01K 5/02; A01K  
 5/0233; A01K 5/0241; A01K 5/025;  
 A01K 5/0275; A01K 5/0283; A01K  
 5/0291; A01K 15/00; A01K 15/02; A01K  
 15/025; A01K 15/026; A01K 15/021;  
 A01K 7/005; A01K 1/01; A63H 33/004;  
 A63H 33/005; A63H 33/3044; A63H  
 33/3072; A63H 3/02; A63H 3/003; A63H  
 7/00; A63H 9/00; A63H 11/10; A63H  
 17/266; A63H 17/12; A63H 17/26; A63H  
 23/005; A63H 23/16; G09F 19/00; E01H  
 1/1206; E01H 1/12; E01H 1/1213; E01H  
 2001/122; E01H 2001/1226; E01H  
 2001/1233; E01H 2001/1246; E01H  
 2001/1293; B25J 1/02; B25J 1/06  
 See application file for complete search history.

(56) **References Cited**  
 U.S. PATENT DOCUMENTS

D94,174 S \* 12/1934 Vogt ..... D1/199  
 2,410,161 A \* 10/1946 Helbein ..... A45C 11/12  
 206/565  
 2,689,076 A \* 9/1954 Jenkins ..... B65D 77/28  
 229/103.1  
 D190,785 S \* 6/1961 Kruck ..... D27/160  
 D191,650 S \* 10/1961 Kruck ..... D28/85  
 D201,420 S \* 6/1965 Teaneck ..... D28/85  
 D208,833 S \* 10/1967 Prager ..... D34/7  
 3,871,696 A \* 3/1975 Wesley ..... A01D 11/00  
 294/50.6  
 D253,032 S \* 10/1979 White ..... D28/76  
 4,488,667 A \* 12/1984 Swett ..... A47G 19/24  
 222/485  
 D280,032 S \* 8/1985 Holloway ..... D28/89  
 D283,479 S \* 4/1986 Swett ..... D7/596  
 D299,576 S \* 1/1989 Kracke ..... D34/4  
 D303,766 S \* 10/1989 Delbanco ..... D9/782  
 D308,336 S \* 6/1990 Delbanco ..... D9/430  
 D311,072 S \* 10/1990 Martinoni ..... D28/84  
 D317,261 S \* 6/1991 Brown ..... D9/782  
 D319,123 S \* 8/1991 DeRewal ..... D34/5  
 5,042,657 A \* 8/1991 Dunn ..... B65D 5/029  
 206/326  
 D321,930 S \* 11/1991 Dinand ..... D23/360  
 5,062,542 A \* 11/1991 Morton ..... B65D 17/4012  
 220/269  
 5,113,765 A \* 5/1992 Carey ..... F42B 4/26  
 102/336  
 D330,376 S \* 10/1992 Kawaguchi ..... D14/212  
 D331,198 S \* 11/1992 Nickerson ..... D10/114.1  
 D333,365 S \* 2/1993 Desgrippes ..... D28/85  
 D335,936 S \* 5/1993 Lou ..... D28/86  
 D338,763 S \* 8/1993 Marberger ..... D34/5  
 D341,233 S \* 11/1993 Muller ..... D32/1  
 D345,641 S \* 3/1994 Brusing ..... D34/1  
 D365,164 S \* 12/1995 Yuen ..... D26/48

5,477,983 A \* 12/1995 Davis ..... A45D 40/04  
 221/279  
 D374,614 S \* 10/1996 Uhl ..... D24/115  
 D378,153 S \* 2/1997 Freedland ..... D34/1  
 D382,369 S \* 8/1997 Yang ..... D28/85  
 5,899,210 A \* 5/1999 Letherby ..... A45D 29/04  
 132/73  
 D411,124 S \* 6/1999 Karlin ..... D10/114.1  
 D424,264 S \* 5/2000 McKeown ..... D20/19  
 D424,378 S \* 5/2000 Bacon ..... D7/602  
 6,099,203 A \* 8/2000 Landes ..... E01F 9/629  
 116/63 R  
 D432,786 S \* 10/2000 Rogers ..... D3/265  
 D437,221 S \* 2/2001 Sagel ..... D9/422  
 D440,875 S \* 4/2001 Sagel ..... D9/430  
 D441,953 S \* 5/2001 Ben Moshe ..... D3/263  
 D442,083 S \* 5/2001 Hoffman ..... D9/431  
 D442,861 S \* 5/2001 Sagel ..... D9/430  
 6,264,259 B1 \* 7/2001 Fortune ..... B25B 11/007  
 294/186  
 D447,304 S \* 8/2001 Niemeyer ..... D34/1  
 D449,524 S \* 10/2001 Kieras ..... D9/420  
 D450,889 S \* 11/2001 Chang ..... D28/76  
 D459,650 S \* 7/2002 Gagnon ..... D9/517  
 D461,002 S \* 7/2002 Christianson ..... D23/364  
 D468,210 S \* 1/2003 Joubert ..... D9/529  
 D472,377 S \* 4/2003 Tabacchi ..... A45C 11/04  
 D3/263  
 D488,506 S \* 4/2004 Mandel ..... D19/135  
 D497,038 S \* 10/2004 Tsai ..... D28/85  
 D498,979 S \* 11/2004 Bhavnani ..... D7/510  
 D499,473 S \* 12/2004 Ching ..... D23/332  
 D500,789 S \* 1/2005 Mandel ..... D19/135  
 D502,402 S \* 3/2005 Schmedes ..... D9/417  
 D517,733 S \* 3/2006 Tsai ..... D28/78  
 D522,116 S \* 5/2006 Zhixiang ..... D23/364  
 D548,336 S \* 8/2007 Galbraith ..... D24/114  
 D551,328 S \* 9/2007 Leng ..... D23/364  
 D551,345 S \* 9/2007 Japuntich ..... D24/131  
 D551,561 S \* 9/2007 Bieger ..... D9/561  
 D555,877 S \* 11/2007 Reinoso ..... D9/687  
 D558,444 S \* 1/2008 Ma ..... D3/6  
 D566,762 S \* 4/2008 Qiu ..... D19/163  
 D567,448 S \* 4/2008 Mascotte ..... D28/90  
 D578,927 S \* 10/2008 Brandstatter ..... D11/146  
 D584,960 S \* 1/2009 Sherwood ..... D9/686  
 D585,707 S \* 2/2009 Weinstein ..... D7/612  
 D587,973 S \* 3/2009 Romano ..... D7/612  
 D618,415 S \* 6/2010 Greseth ..... D34/1  
 D619,116 S \* 7/2010 Skurdal ..... D10/2  
 D622,606 S \* 8/2010 Masotti ..... D9/561  
 7,879,008 B2 \* 2/2011 Haury ..... A61M 5/16877  
 604/131  
 D656,648 S \* 3/2012 Tompkin ..... D26/46  
 D659,123 S \* 5/2012 Kim ..... D14/218  
 D663,843 S \* 7/2012 Wang ..... D24/166  
 D672,333 S \* 12/2012 Lin ..... D14/212  
 D672,661 S \* 12/2012 Hora ..... D9/734  
 D673,264 S \* 12/2012 Kunze ..... D24/113  
 D675,021 S \* 1/2013 Lorenzana ..... D3/255  
 D677,047 S \* 3/2013 Watson ..... D3/203.5  
 D679,321 S \* 4/2013 Walton ..... D19/119  
 D685,233 S \* 7/2013 Wong ..... D7/629  
 D685,976 S \* 7/2013 Martellato ..... D1/105  
 D686,192 S \* 7/2013 Widner ..... D14/212  
 D691,118 S \* 10/2013 Ingham ..... D14/218  
 D692,429 S \* 10/2013 So ..... D14/411  
 D695,102 S \* 12/2013 Keberlein ..... D9/416  
 D695,620 S \* 12/2013 Karekar ..... D9/529  
 D698,338 S \* 1/2014 Ingham ..... D14/218  
 D700,671 S \* 3/2014 Miller ..... D21/756  
 D719,038 S \* 12/2014 Heipp ..... D9/729  
 D722,600 S \* 2/2015 Dowd ..... D14/411  
 D724,956 S \* 3/2015 Johansson ..... D9/715  
 D726,008 S \* 4/2015 Buxton-Dakides ..... D9/436  
 D728,217 S \* 5/2015 Click ..... D3/203.5  
 D731,732 S \* 6/2015 Wisniewski ..... D34/8  
 D734,054 S \* 7/2015 New ..... A61L 2/08  
 D6/525

(56)

**References Cited**

## U.S. PATENT DOCUMENTS

D737,250	S *	8/2015	Ingham	.....	D14/218
D737,375	S *	8/2015	Tam	.....	D19/118
D742,257	S *	11/2015	Thompson	.....	D10/46.2
D756,593	S *	5/2016	Smith	.....	D1/199
D761,663	S *	7/2016	Cook	.....	D9/725
D764,309	S *	8/2016	Yakos	.....	D9/682
D772,229	S *	11/2016	Petit-Huguenin	.....	D14/358
D790,338	S *	6/2017	Cook	.....	D9/435
D791,479	S *	7/2017	Son	.....	D3/298
D796,025	S *	8/2017	Lo	.....	D24/108
D800,881	S *	10/2017	Wu	.....	D23/356
D801,181	S *	10/2017	Koh	.....	D9/529
D802,880	S *	11/2017	Mathew	.....	D1/128
D805,911	S *	12/2017	Borer	.....	D9/561
D811,169	S *	2/2018	Yao	.....	D7/511
D812,779	S *	3/2018	Bonk	.....	B60T 3/00 D25/102
D819,191	S *	5/2018	Atabaki	.....	D23/366
D821,197	S *	6/2018	Cook	.....	D9/435
D828,448	S *	9/2018	Hung	.....	D19/163
2002/0119223	A1 *	8/2002	Buisson	.....	B65B 5/064 426/124
2006/0124651	A1 *	6/2006	Bhavnani	.....	A47J 41/0016 220/592.17
2009/0194555	A1 *	8/2009	Hoefing	.....	A47K 10/3827 221/63
2010/0193459	A1 *	8/2010	Housley	.....	A61J 9/008 215/6

\* cited by examiner

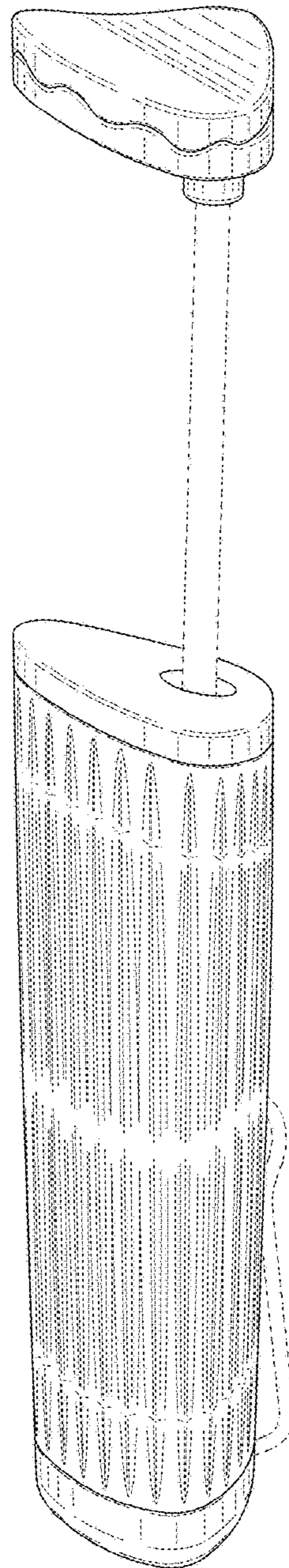


FIG. 1

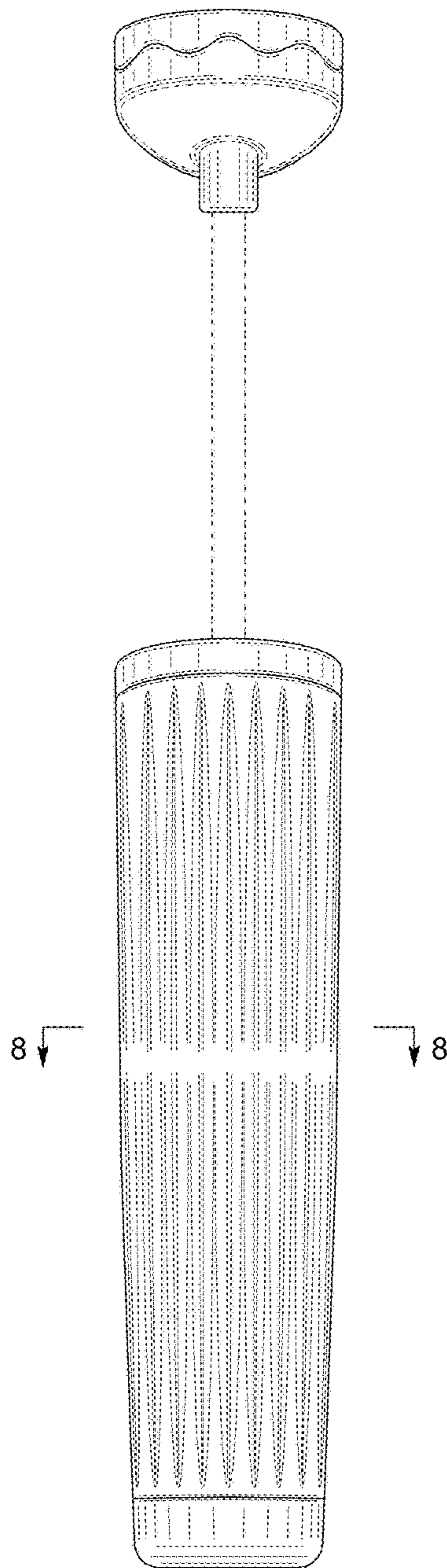


FIG. 2

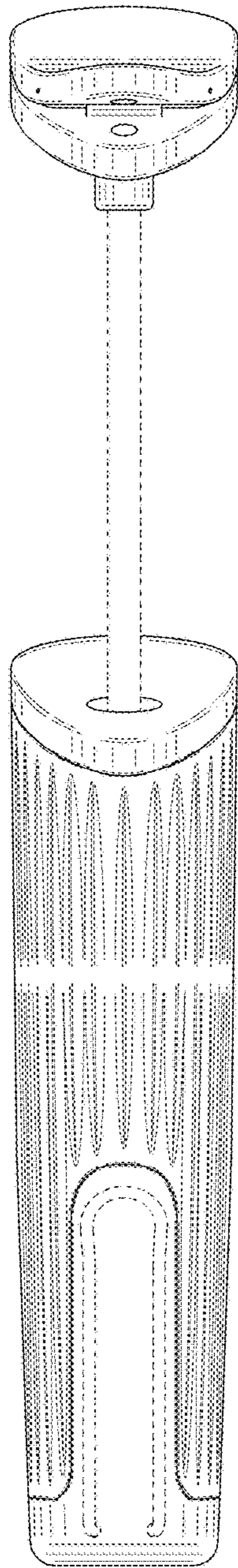


FIG. 3

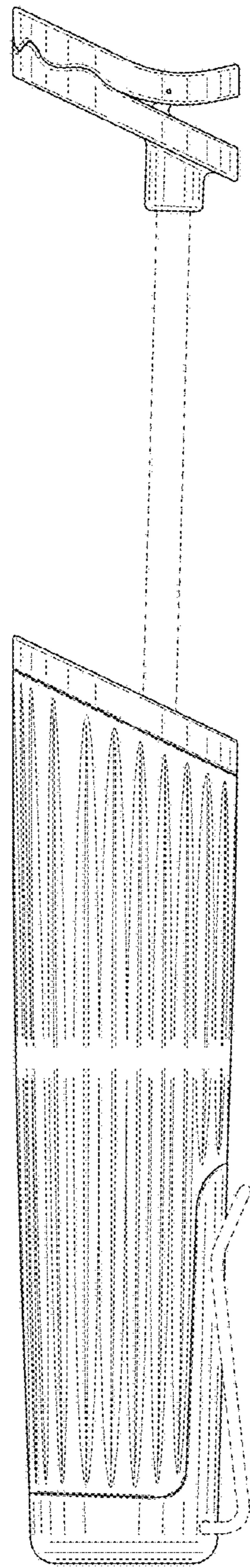


FIG. 4

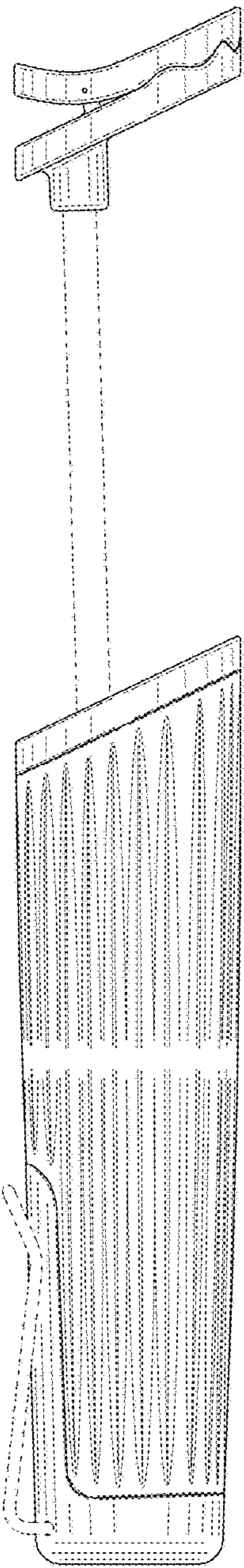


FIG. 5



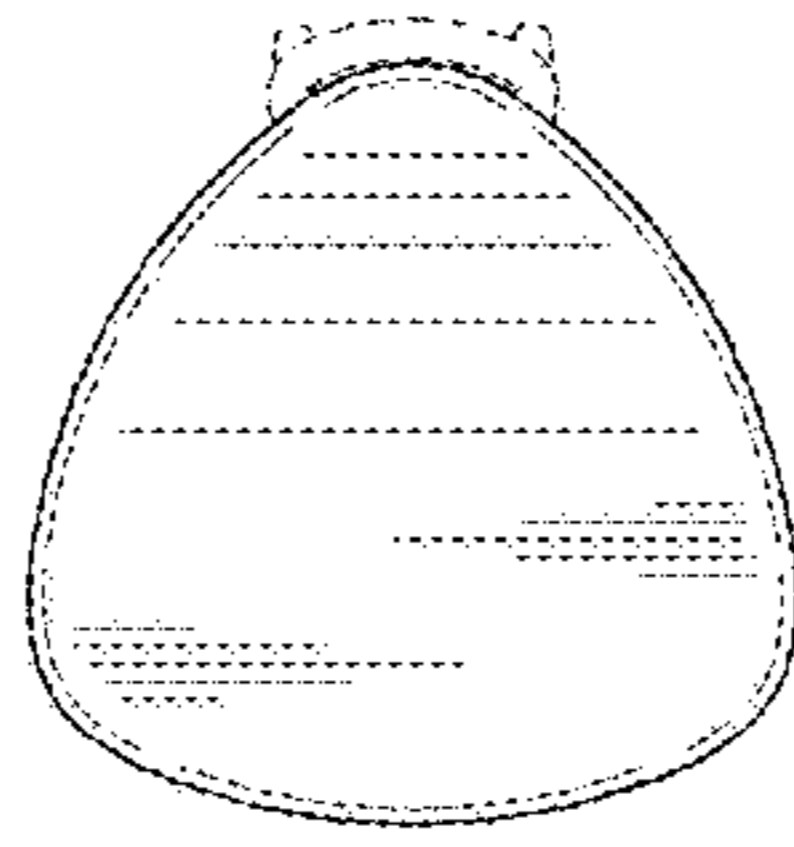


FIG. 6

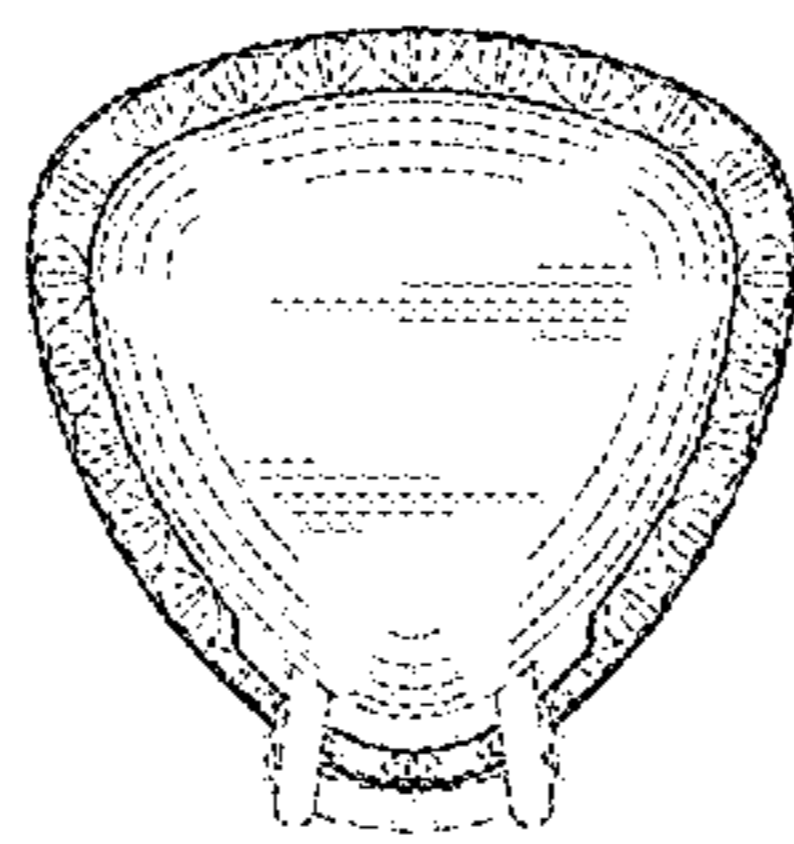


FIG. 7

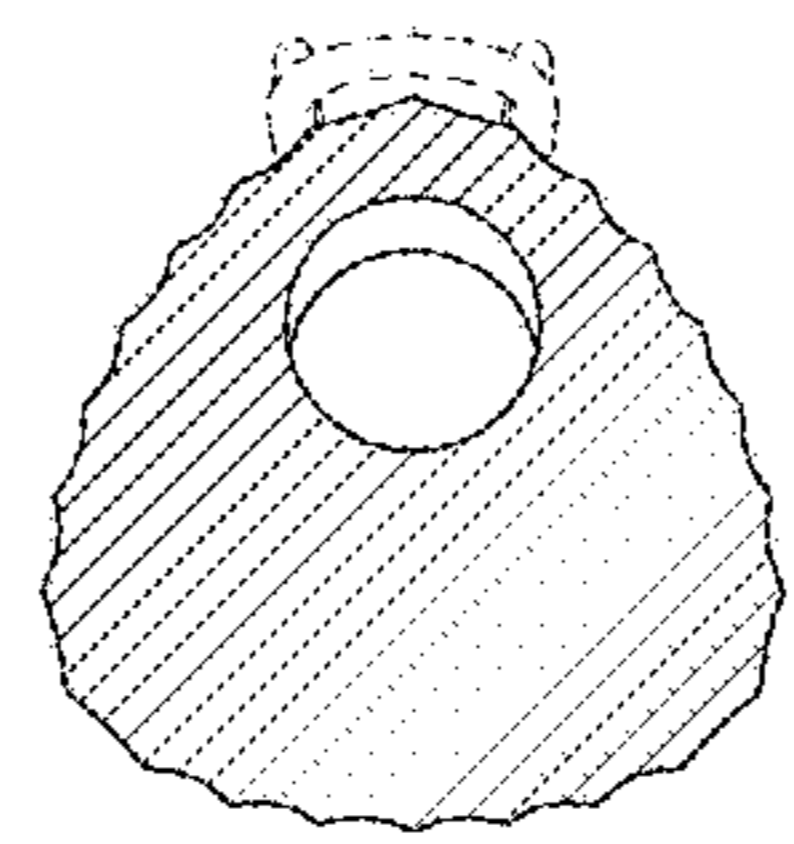


FIG. 8

FIG. 9

