



US00D840608S

(12) **United States Design Patent**  
**Snead, Sr.**

(10) **Patent No.:** **US D840,608 S**  
(45) **Date of Patent:** **\*\* Feb. 12, 2019**

- (54) **SOAP DISPENSING PET BRUSH**
- (71) Applicant: **Jassen Snead, Sr.**, Warwick, RI (US)
- (72) Inventor: **Jassen Snead, Sr.**, Warwick, RI (US)
- (\*\*) Term: **15 Years**
- (21) Appl. No.: **29/583,328**
- (22) Filed: **Nov. 4, 2016**
- (51) **LOC (11) Cl.** ..... **30-99**
- (52) **U.S. Cl.**  
USPC ..... **D30/159; D30/158; D4/114**
- (58) **Field of Classification Search**  
USPC ..... D30/158, 159, 199, 162, 106; 119/625,  
119/633, 600, 617, 628, 632, 631, 613,  
119/618, 619, 620, 611, 612, 615, 664,  
119/650, 601, 604-606, 624, 603;  
132/126, 142, 120, 313, 119, 121,  
132/150-154, 147-149, 108-115, 160;  
30/114, 130, 301, 305, 315, 316, 299,  
30/303, 306, 169, 322, 31, 30, 279.2,  
30/280, 287, 294, 199, 329-344, 346.56,  
30/346.61, 355, 357, 353; D7/672-676,  
D7/687, 686, 634, 619, 688, 653, 393,  
D7/395, 401.2; 425/298; 426/503;  
D4/136, 127, 124-126, 114-119, 199,  
D4/194, 132, 120, 133, 134, 138,  
D4/100-102, 122, 121, 159, 129, 130,  
D4/135; D32/42, 25, 40, 45, 35, 41;  
D23/261; 2/160; 172/379, 380; D6/415,  
D6/410, 411; 294/1.3, 1.5, 55, 99.1, 49,  
294/7, 9, 99.2, 118, 119, 19.2, 52, 104,  
294/19.1, 3; 209/418; D24/211, 147,  
D24/215, 214, 206; D21/532, 398;  
D19/36; 34/381, 103, 104, 107;  
D11/104, 86; 56/400.01, 400.1, 400.17,  
56/400.21, 400.05, 400.04, 330; 403/329,  
403/326, 361; 15/402, 142, 236.07,  
15/236.08, 236.05, 106, 143.1, 159.1,  
15/160, 186-188, 50.1-50.3, 55, 57, 71,

15/77, 79.1, 104.002, 105, 169, 145, 114,  
15/231, 172, 1.52, 207.2, 29, 229.13, 111,  
15/118, 109.94, 164, 209.1, 211, 236.06,  
15/236.01, 210.1, 229.11, 244.3, 191.1,  
15/DIG. 5; 601/137, 136, 80, 93, 95, 97,  
601/101, 103, 138, 143-147, 114, 17,  
601/160, 112, 154; D28/25, 21, 91.2, 63,  
D28/52, 31, 30, 48, 7, 34; D8/13, 6, 10,  
D8/11, 12, 1, 107, 106, 45, 80; 126/173,  
(Continued)

(56) **References Cited**

U.S. PATENT DOCUMENTS

- 1,436,957 A \* 11/1922 Harvey ..... A61N 1/322  
15/160
- 1,518,480 A \* 12/1924 Buchanan ..... A46B 15/00  
15/186

(Continued)

*Primary Examiner* — Susan Moon Lee  
(74) *Attorney, Agent, or Firm* — McInnes & McLane,  
LLP

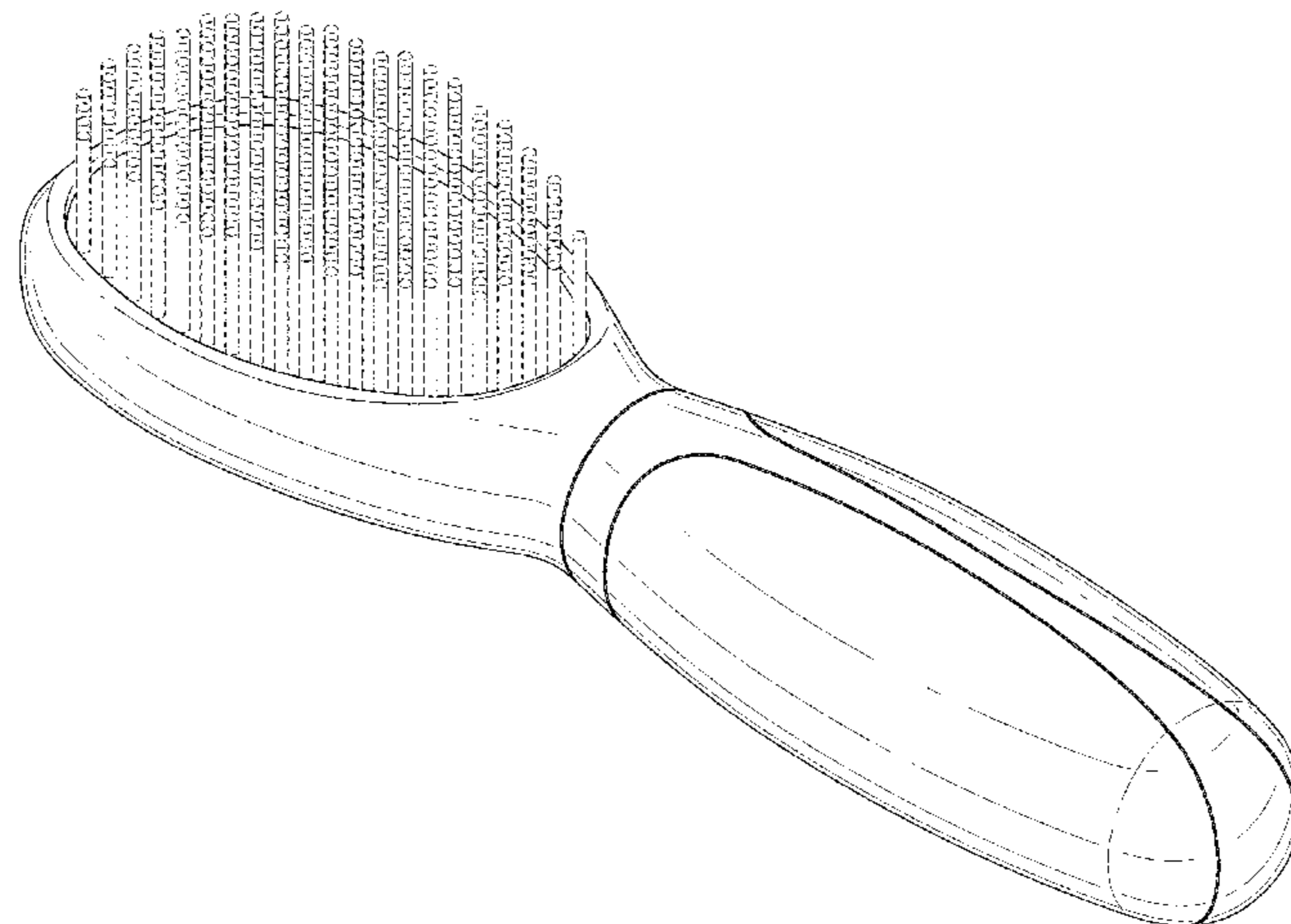
(57) **CLAIM**

The ornamental design for a soap dispensing pet brush, as shown and described.

**DESCRIPTION**

FIG. 1 is a perspective view of the soap dispensing pet brush in accordance with the present invention;  
FIG. 2 is a bottom view thereof;  
FIG. 3 is a top view thereof;  
FIG. 4 is a left side view thereof;  
FIG. 5 is a right side view thereof;  
FIG. 6 is a front view thereof; and,  
FIG. 7 is a rear view thereof.  
The bristle elements on the brush head depicted in broken line in the various figures are included for environmental purposes only, and form no part of the claimed design.

**1 Claim, 4 Drawing Sheets**



# US D840,608 S

(58) **Field of Classification Search**

USPC ..... 126/214 C, 25 R; 99/450; 16/430, 431,  
 16/DIG. 12, DIG. 18, DIG. 19, 426, 421,  
 16/422, 438, 110.1; 401/28, 201, 6, 284,  
 401/279, 288, 22, 140, 207, 149, 281,  
 401/136, 137, 188 R-190, 268, 270, 278,  
 401/289; 81/177.7, 489, 177.1, 436-440,  
 81/849; 19/98; 604/289; 134/34  
 CPC .... A01K 13/00; A01K 13/002; A01K 13/003;  
 A01K 13/001; B26B 19/24; B26B  
 19/063; B26B 21/16; B26B 21/18; B26B  
 21/521; B26B 21/4075; B26B 21/522;  
 A45D 24/22; A45D 24/30; A45D 24/00;  
 A45D 24/04; A45D 24/10; A45D 24/36;  
 A45D 24/02; A45D 2019/005; A46B  
 5/02; A46B 5/021; A46B 5/026; A46B  
 5/028; A46B 2200/1033; A46B  
 2200/1093; A46B 2200/10; A46B  
 2200/104; A46B 9/02; A46B 9/023; A46B  
 9/026; A46B 9/028; A46B 7/04; A46B  
 11/00; A46B 11/0006; A46B 11/001;  
 A46B 11/0013; A46B 11/0062; A46B  
 11/0072; A46B 11/0079; A46B 11/0082;  
 A46B 11/0041

See application file for complete search history.

(56) **References Cited**

U.S. PATENT DOCUMENTS

D97,424 S \* 11/1935 Wewetzer ..... D4/134  
 D152,654 S \* 2/1949 Rodriguez ..... D4/138  
 2,505,611 A 4/1950 Ellinger  
 2,522,617 A 9/1950 Ijams  
 D168,913 S \* 2/1953 Snyder ..... D4/136  
 D168,917 S \* 2/1953 Snyder ..... D4/136  
 2,630,594 A \* 3/1953 Fisher ..... A46B 11/0013  
 401/280  
 2,636,203 A 4/1953 Glantz  
 D172,099 S \* 5/1954 Le Febvre ..... D4/138  
 3,544,226 A 12/1970 Kellis

3,597,098 A 8/1971 Kellis  
 D278,953 S \* 5/1985 Smith ..... D4/138  
 4,958,596 A 9/1990 Belan  
 D367,559 S \* 3/1996 Leslie ..... D4/138  
 D367,962 S \* 3/1996 Leslie ..... D4/138  
 6,071,029 A 6/2000 Weinstock  
 D439,747 S \* 4/2001 Harris ..... D4/136  
 D453,420 S \* 2/2002 Offer ..... D4/132  
 6,367,421 B1 \* 4/2002 Deacon ..... A01K 13/002  
 119/603  
 D457,729 S \* 5/2002 Humphrey ..... D4/114  
 D459,896 S \* 7/2002 Kapp ..... D4/138  
 7,225,758 B1 \* 6/2007 Galloway ..... A01K 13/001  
 119/603  
 D553,907 S \* 10/2007 Catalano ..... D7/401.2  
 D575,523 S \* 8/2008 Libman ..... D4/132  
 D575,524 S \* 8/2008 Libman ..... D4/119  
 D575,529 S \* 8/2008 Libman ..... D4/128  
 D579,211 S \* 10/2008 Libman ..... D4/133  
 D594,235 S \* 6/2009 Chudzik ..... D4/138  
 7,814,917 B2 10/2010 Hurwitz  
 D627,974 S \* 11/2010 Chang ..... D4/138  
 D630,021 S \* 1/2011 Libman ..... D4/118  
 D640,874 S \* 7/2011 Huang ..... D4/138  
 D656,732 S \* 4/2012 Vu ..... D4/100  
 D668,054 S \* 10/2012 Julemont ..... D4/128  
 D768,389 S \* 10/2016 Rosenzweig ..... D4/114  
 D803,578 S \* 11/2017 Morton ..... D4/138  
 D809,803 S \* 2/2018 Mao ..... D4/138  
 D821,649 S \* 6/2018 Qin ..... D28/35  
 2005/0217601 A1 \* 10/2005 Judge ..... A01K 13/001  
 119/665  
 2007/0144549 A1 \* 6/2007 Enriquez ..... A45D 24/28  
 132/116  
 2008/0041416 A1 \* 2/2008 Mathews ..... A01K 13/002  
 134/6  
 2011/0297102 A1 \* 12/2011 Wang ..... A01K 13/002  
 119/631  
 2013/0291903 A1 11/2013 Tumale  
 2015/0026904 A1 \* 1/2015 Piatetsky ..... A45D 24/22  
 15/207.2  
 2015/0107528 A1 \* 4/2015 Moeller ..... A46B 5/0008  
 119/625

\* cited by examiner

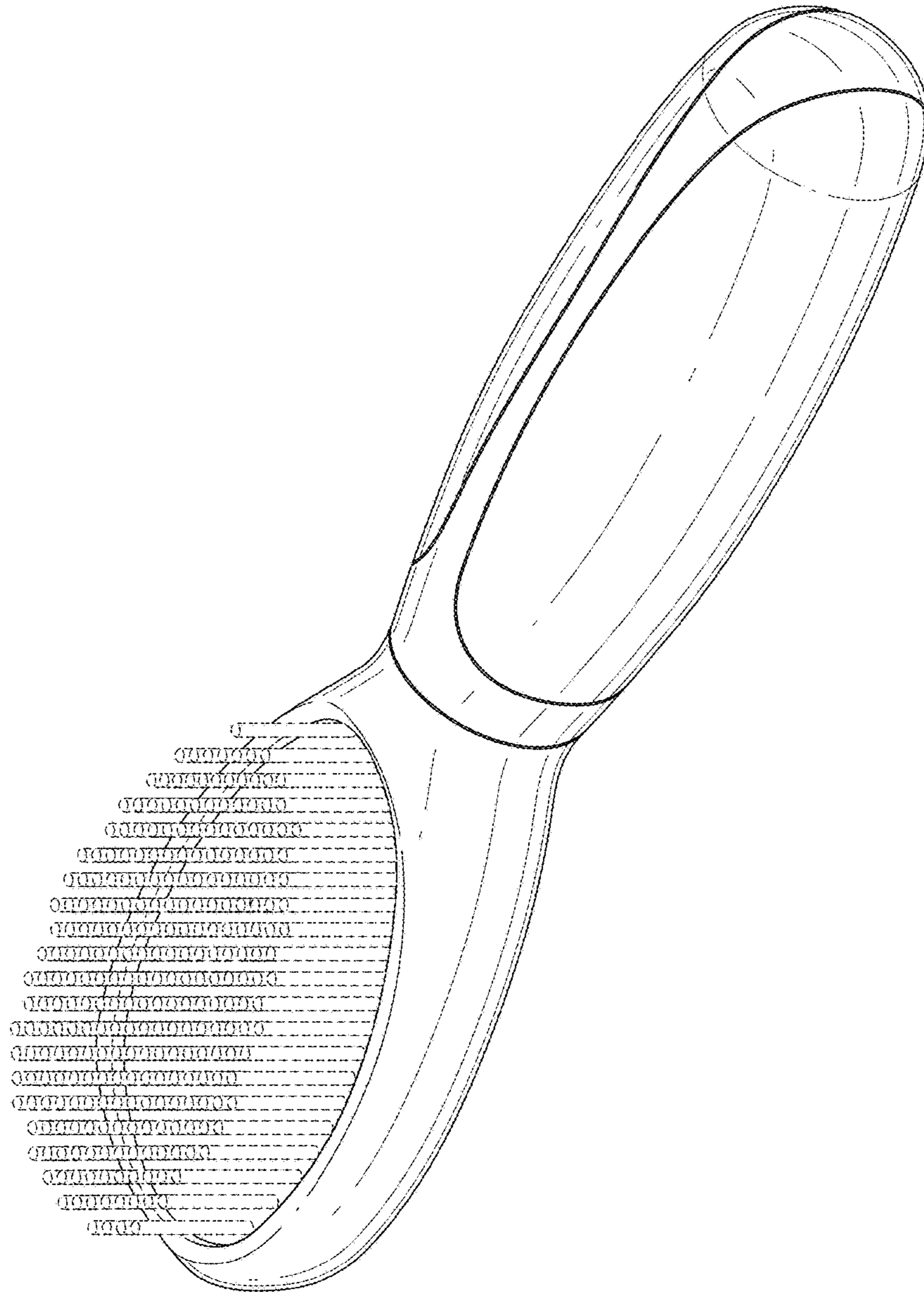


FIG. 1

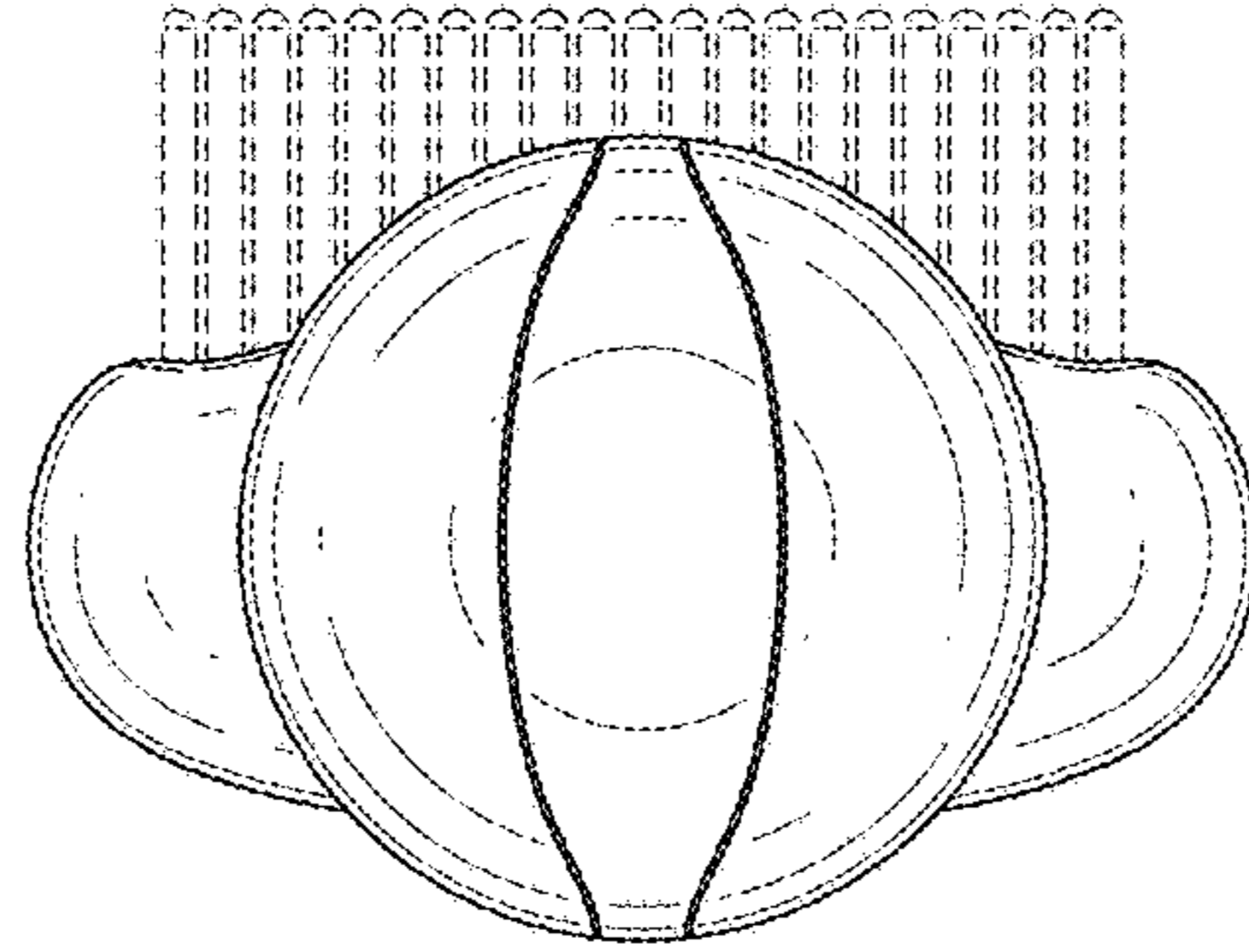


FIG. 2

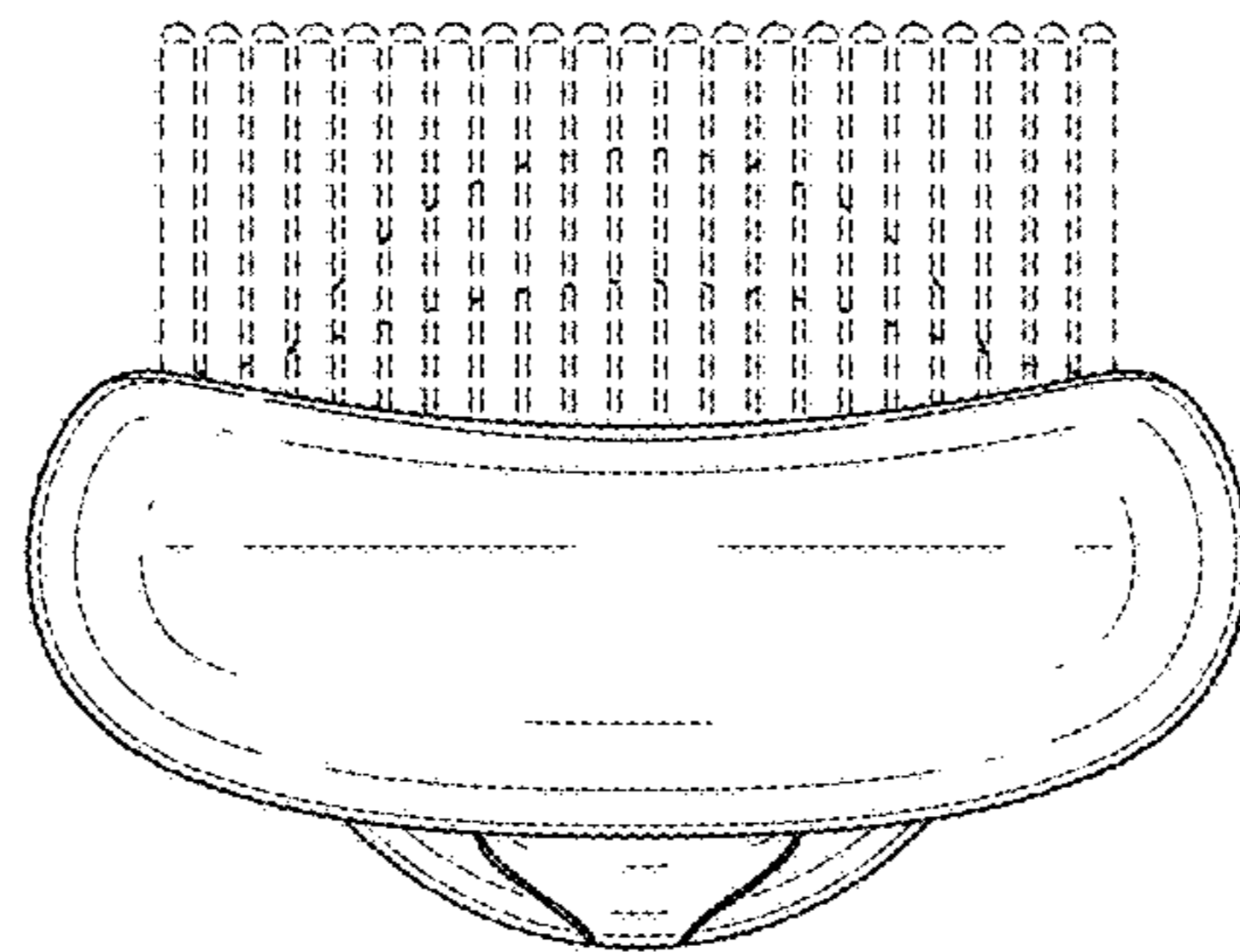


FIG. 3

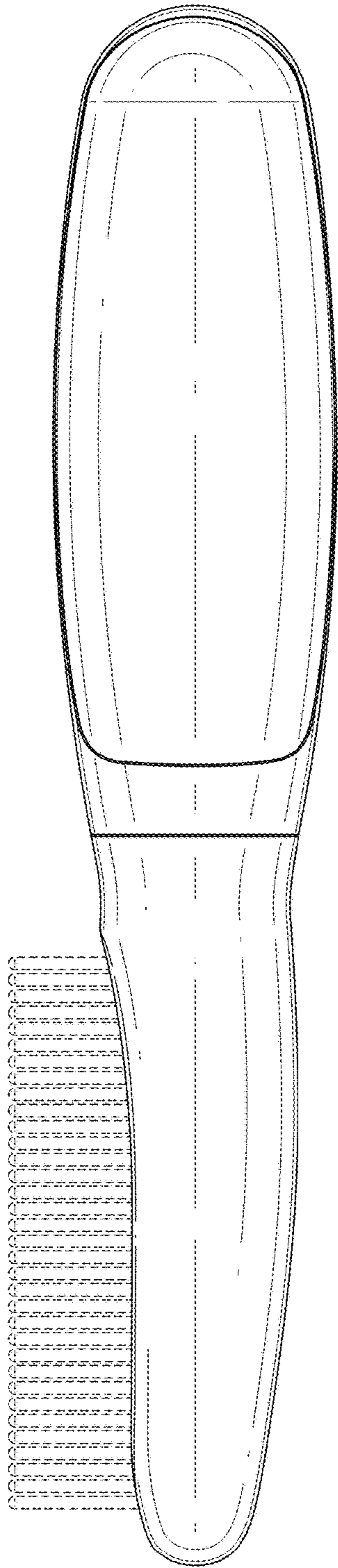


FIG. 4

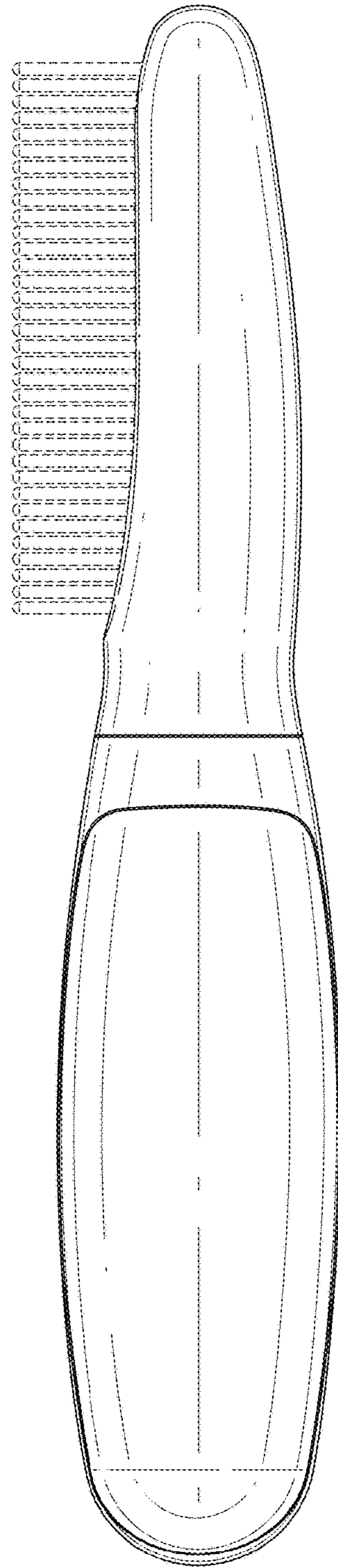


FIG. 5

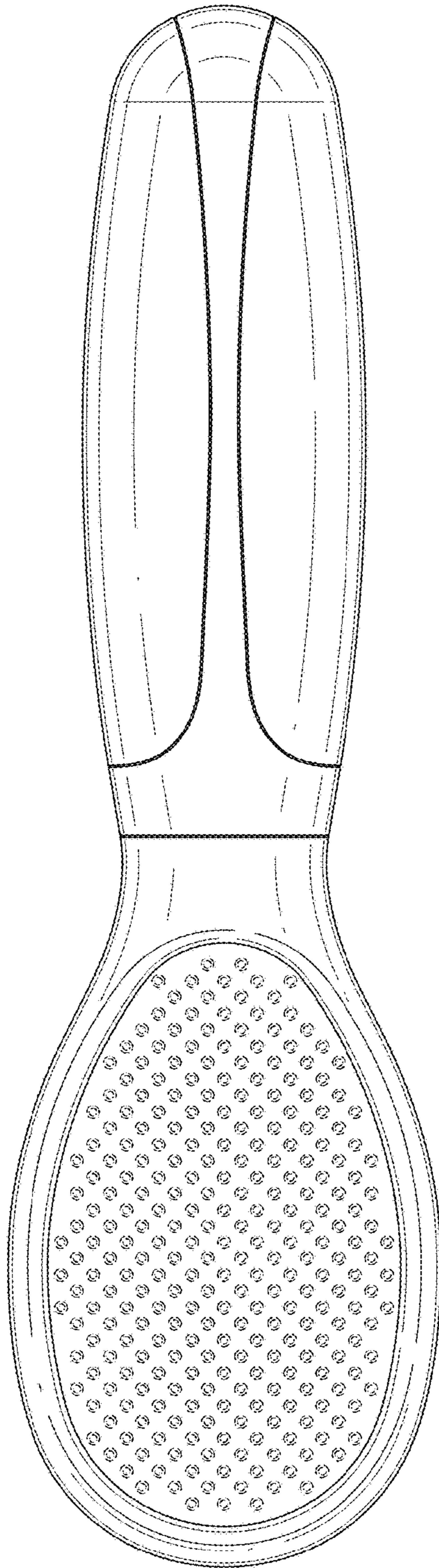


FIG. 6

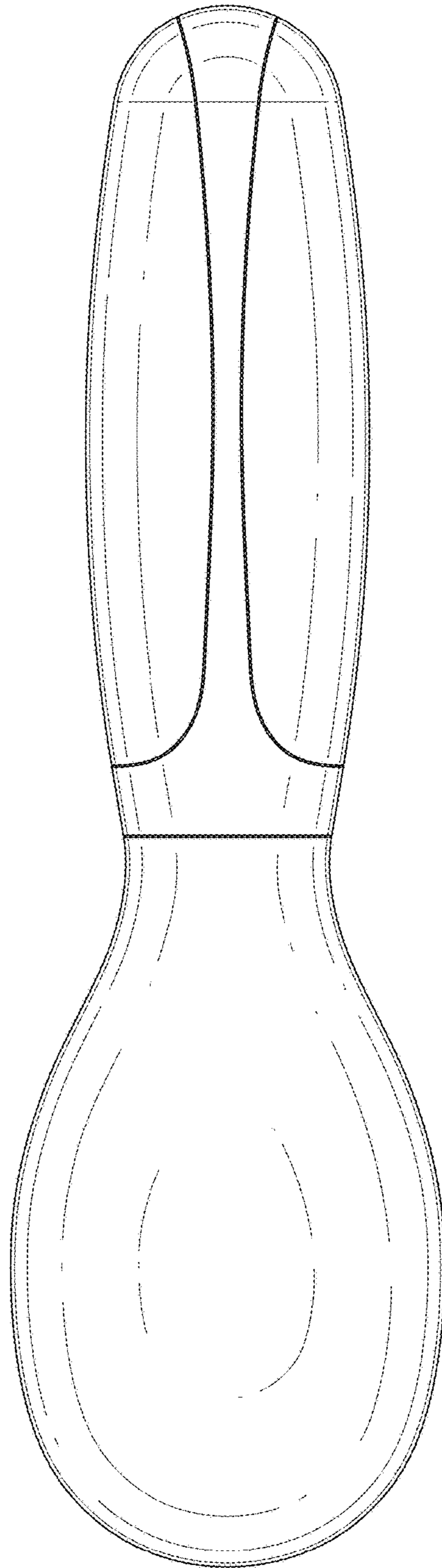


FIG. 7