



US00D840607S

(12) **United States Design Patent**
Couse et al.

(10) **Patent No.:** **US D840,607 S**

(45) **Date of Patent:** **** Feb. 12, 2019**

(54) **COLLAR**

(71) Applicant: **i4c Innovations Inc.**, Chantilly, VA
(US)

(72) Inventors: **John Michael Couse**, Toronto (CA);
Joe Paul Tupin, Jr., Round Hill, VA
(US); **Michael Stanfield**, The Plains,
VA (US); **Jeffrey Noce**, Alexandria, VA
(US); **Albert Di Rienzo**, Herndon, VA
(US)

(73) Assignee: **i4C Innovations Inc.**, Chantilly, VA
(US)

(**) Term: **15 Years**

(21) Appl. No.: **29/575,275**

(22) Filed: **Aug. 23, 2016**

(51) **LOC (11) Cl.** **30-04**

(52) **U.S. Cl.**
USPC **D30/152**

(58) **Field of Classification Search**
USPC D30/144, 151, 152, 155, 199; D24/190;
D2/627, 894; D29/100, 101.1, 101.2;
D11/3; D8/300
CPC A01K 27/001
See application file for complete search history.

(56) **References Cited**

U.S. PATENT DOCUMENTS

2,799,245 A * 7/1957 Ruggiero A01K 27/004
119/794
D322,871 S * 12/1991 Heyman D30/152
5,074,251 A * 12/1991 Pennock A01K 27/006
119/859
5,271,354 A * 12/1993 Barnett A01K 27/007
119/654
D468,492 S * 1/2003 Wilhelm D30/152

D473,483 S * 4/2003 Hardy D11/3
D610,751 S * 2/2010 Kokmeyer D30/152
D668,004 S * 9/2012 Price D30/152
D721,609 S * 1/2015 Duddy D11/3
D747,659 S * 1/2016 Coin D11/3
D758,908 S * 6/2016 Waud A45D 8/36
D11/3
2007/0034165 A1 * 2/2007 Yang A01K 27/001
119/863
2007/0181080 A1 * 8/2007 Gibson A01K 13/006
119/815

OTHER PUBLICATIONS

“15 Coolest Dog Tracking GPS and Trackers”. Found online Feb. 11, 2016 at crookedbrains.net. Page dated Apr. 16, 2014. Retrieved from <http://www.crookedbrains.net/2014/04/coolest-dog-tracking-gps-and-trackers.html>.*

(Continued)

Primary Examiner — George D. Kirschbaum
Assistant Examiner — Kendra Leslie Hamilton
(74) *Attorney, Agent, or Firm* — Banner & Witcoff, Ltd.

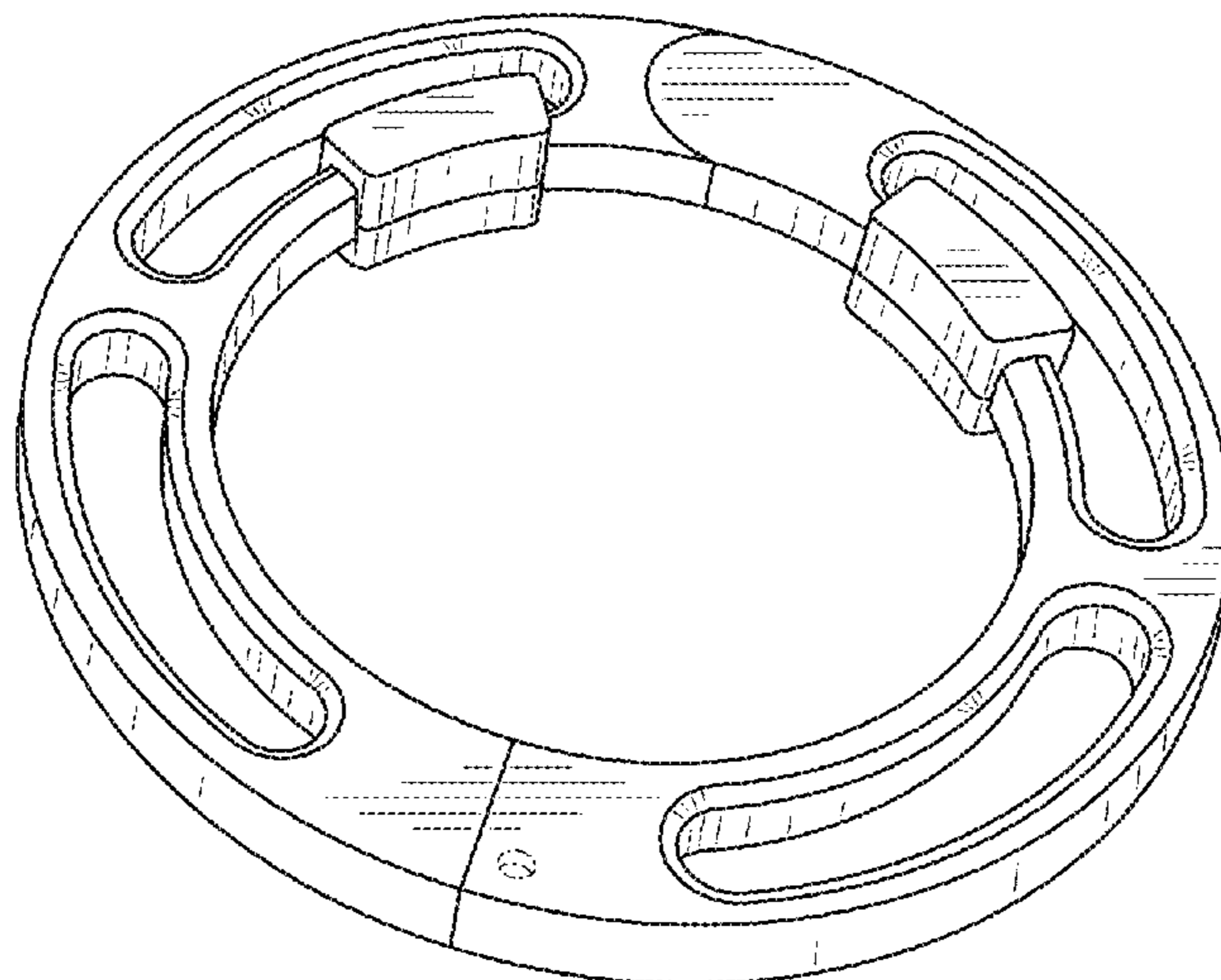
(57) **CLAIM**

The ornamental design for a collar, as shown and described.

DESCRIPTION

FIG. 1 is a front perspective view of a collar showing our new design;
FIG. 2 is a front view thereof;
FIG. 3 is a rear view thereof;
FIG. 4 is a right side view thereof, the left side view being a mirror image thereof;
FIG. 5 is a top view thereof; and,
FIG. 6 is a bottom view thereof.
The broken lines showings represent unclaimed subject matter and form no part of the claimed design.

1 Claim, 3 Drawing Sheets



(56)

References Cited

OTHER PUBLICATIONS

“Top 5 Activity Trackers of 2014”. Found online Dec. 8, 2016 at wear.tips. Page dated Mar. 5, 2013. Retrieved from <http://wear.tips/top-5-activity-trackers/>.*

“DogTelligent Connected Collar”. Found online Mar. 2, 2016 at youtube.com. Page dated Mar. 14, 2015. Retrieved from http://youtube.com/watch?v=8Ae2R2Hq_do.*

“Puller Dog training Device”. Found online Sep. 7, 2017 at amazon.in. Page dated Jan. 14, 2015. Retrieved from https://www.amazon.in/Puller-training-Device-puller-small/dp/B00F90J610/ref=sr_1_19?ie=UTF8&qid=1504805786&sr=8-19&keywords=training+collar.*

* cited by examiner

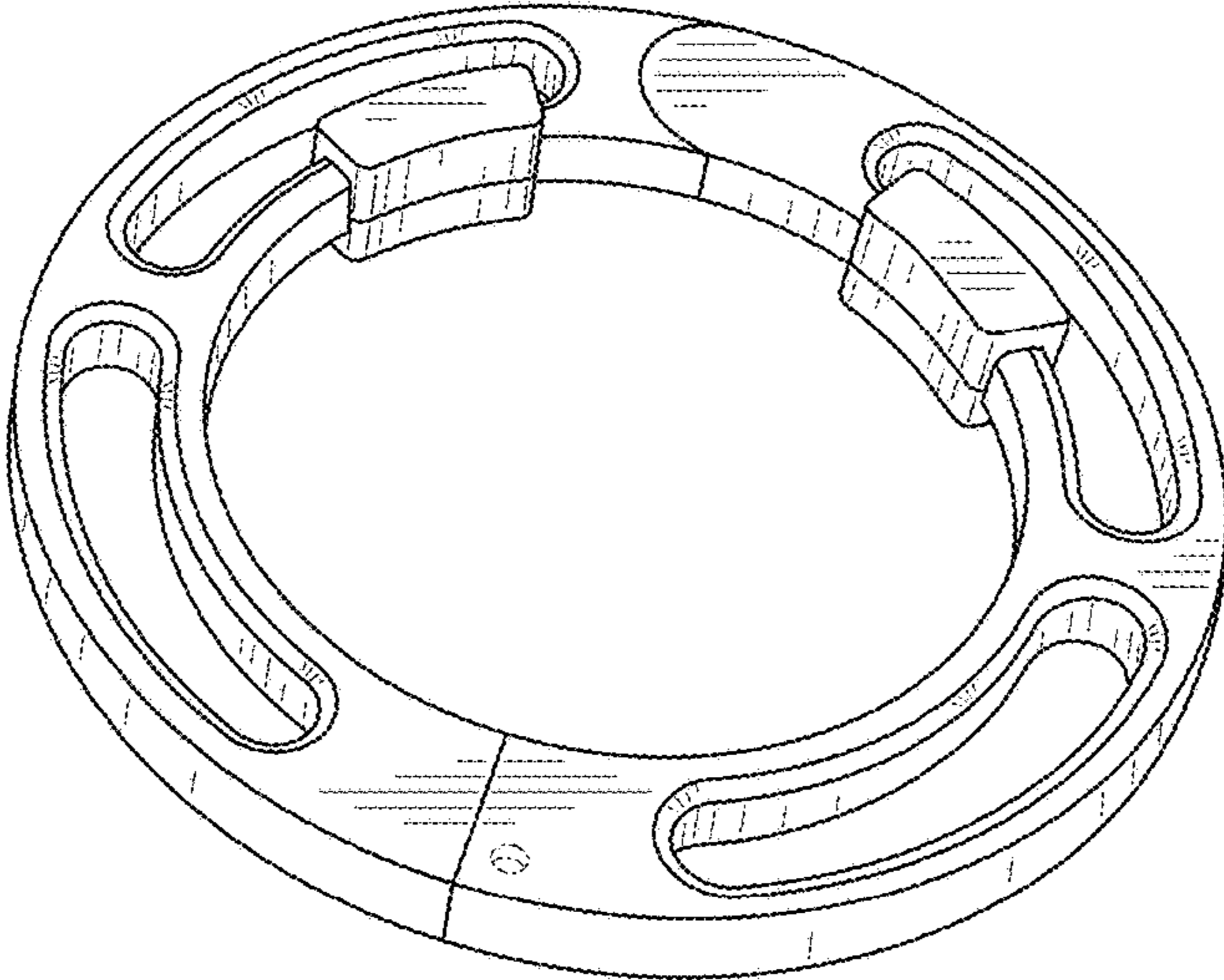


FIG. 1

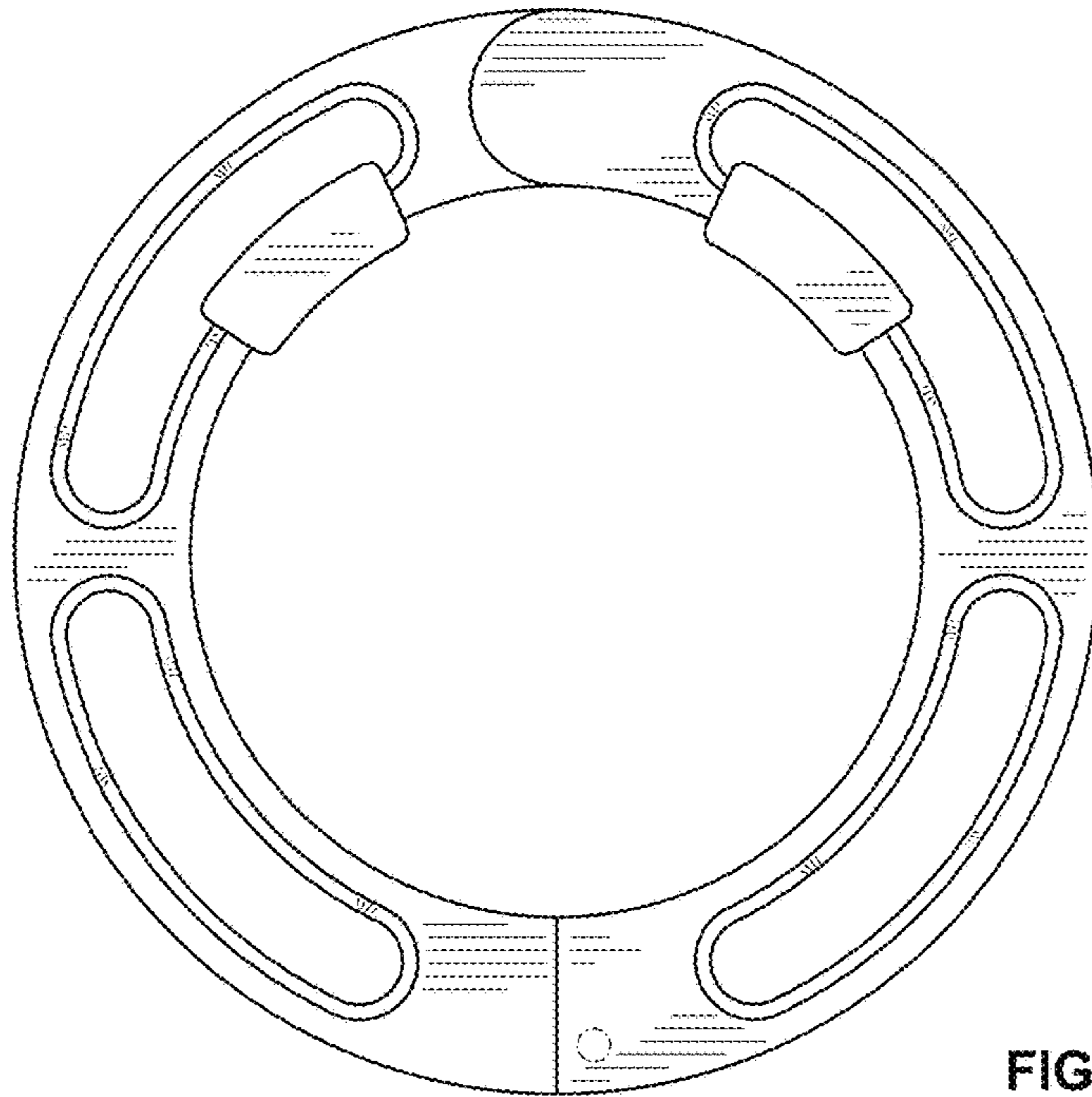


FIG. 2

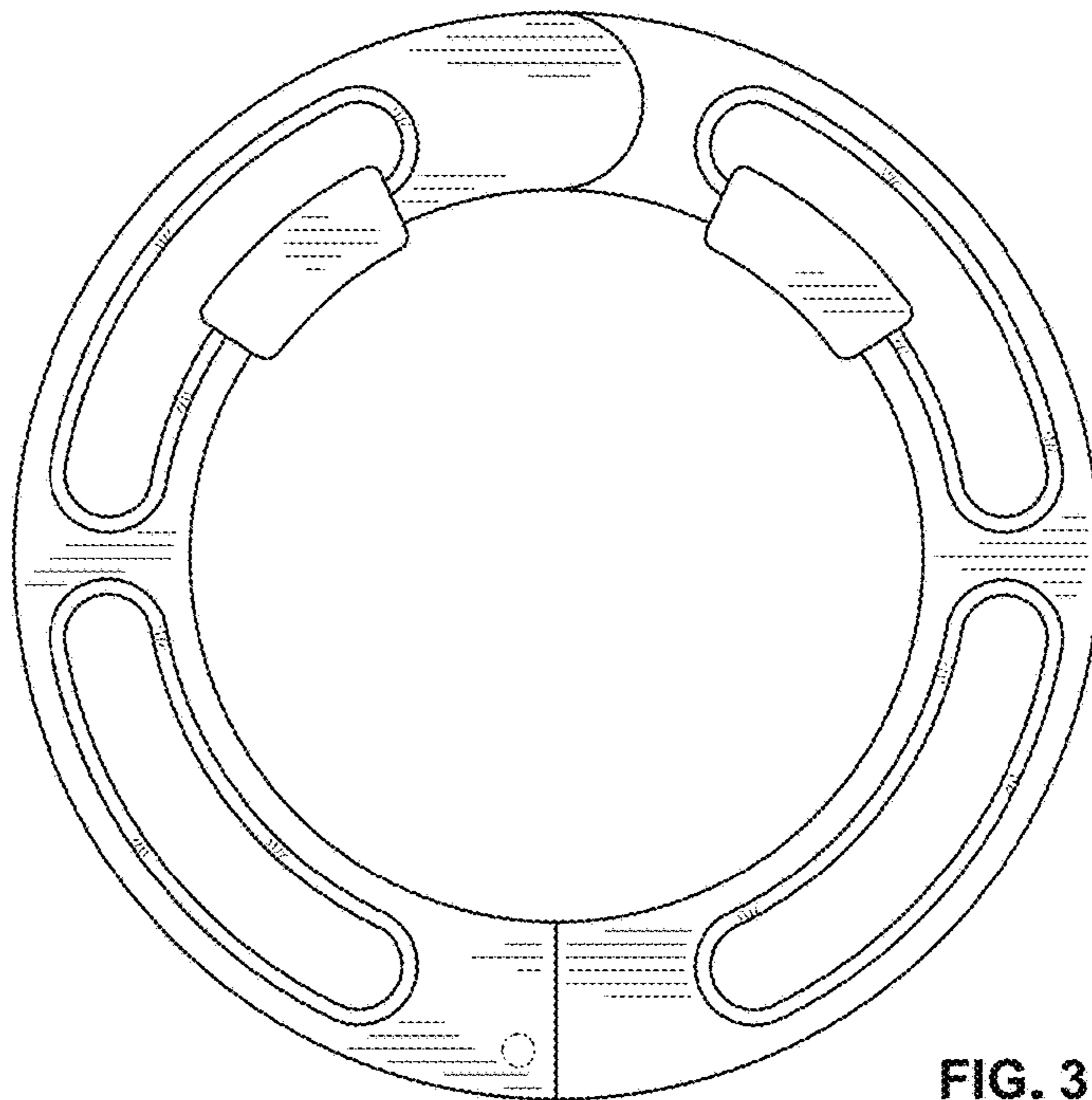


FIG. 3

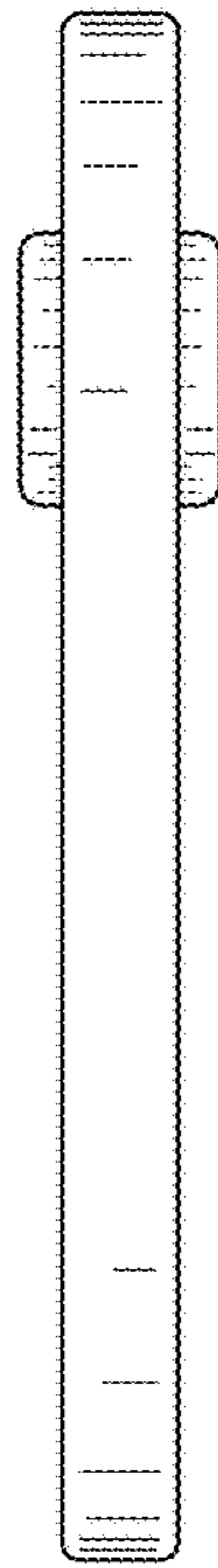


FIG. 4

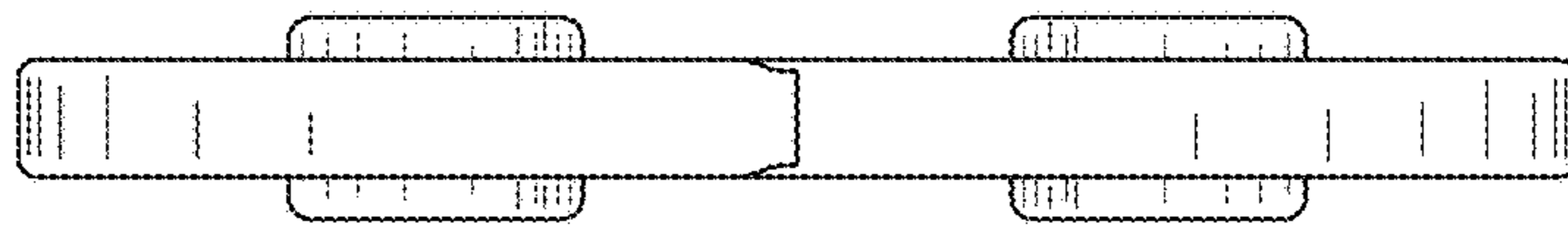


FIG. 5

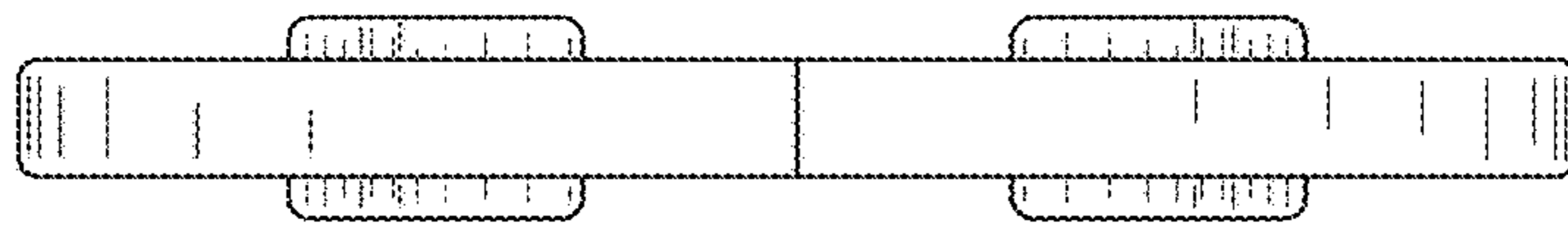


FIG. 6