



US00D840601S

(12) **United States Design Patent**
Elmore

(10) **Patent No.:** **US D840,601 S**

(45) **Date of Patent:** **** Feb. 12, 2019**

(54) **SOFTBALL MASK ATTACHMENT**

(71) Applicant: **James R. Elmore**, Springdale, AR (US)

(72) Inventor: **James R. Elmore**, Springdale, AR (US)

(**) Term: **15 Years**

(21) Appl. No.: **29/621,840**

(22) Filed: **Oct. 11, 2017**

(51) **LOC (11) Cl.** **29-02**

(52) **U.S. Cl.**

USPC **D29/106**

(58) **Field of Classification Search**

USPC D29/102–107, 122; 2/6.1–6.3, 6.5, 6.7,
2/172, 175.1, 175.6, 175.7, 195.1, 209,
2/410, 422–425, 455, 909, 918, 920;
D2/891; D5/63; D24/190, 191;
128/864, 866, 867

CPC A42B 3/00; A42B 3/163; A42B 3/166;
A42B 3/16; A42B 3/18; A42B 3/20;
A42B 3/22; A42B 3/221; A42B 3/228;
A42B 3/066; A42B 3/06; A63B 71/10;
A61F 11/008

See application file for complete search history.

(56) **References Cited**

U.S. PATENT DOCUMENTS

5,898,950 A * 5/1999 Spyrou A42B 3/085
2/417
D718,002 S * 11/2014 Littrell, Jr. D29/106

D751,188 S * 3/2016 Skipper D24/110.4
D782,030 S * 3/2017 Prentice D24/110.4
2011/0225708 A1* 9/2011 Polstein A42B 3/205
2/425
2012/0159696 A1* 6/2012 Polstein A63B 71/10
2/417

* cited by examiner

Primary Examiner — Randall H Gholson

(74) *Attorney, Agent, or Firm* — Schrantz Law Firm,
PLLC; Stephen D. Schrantz

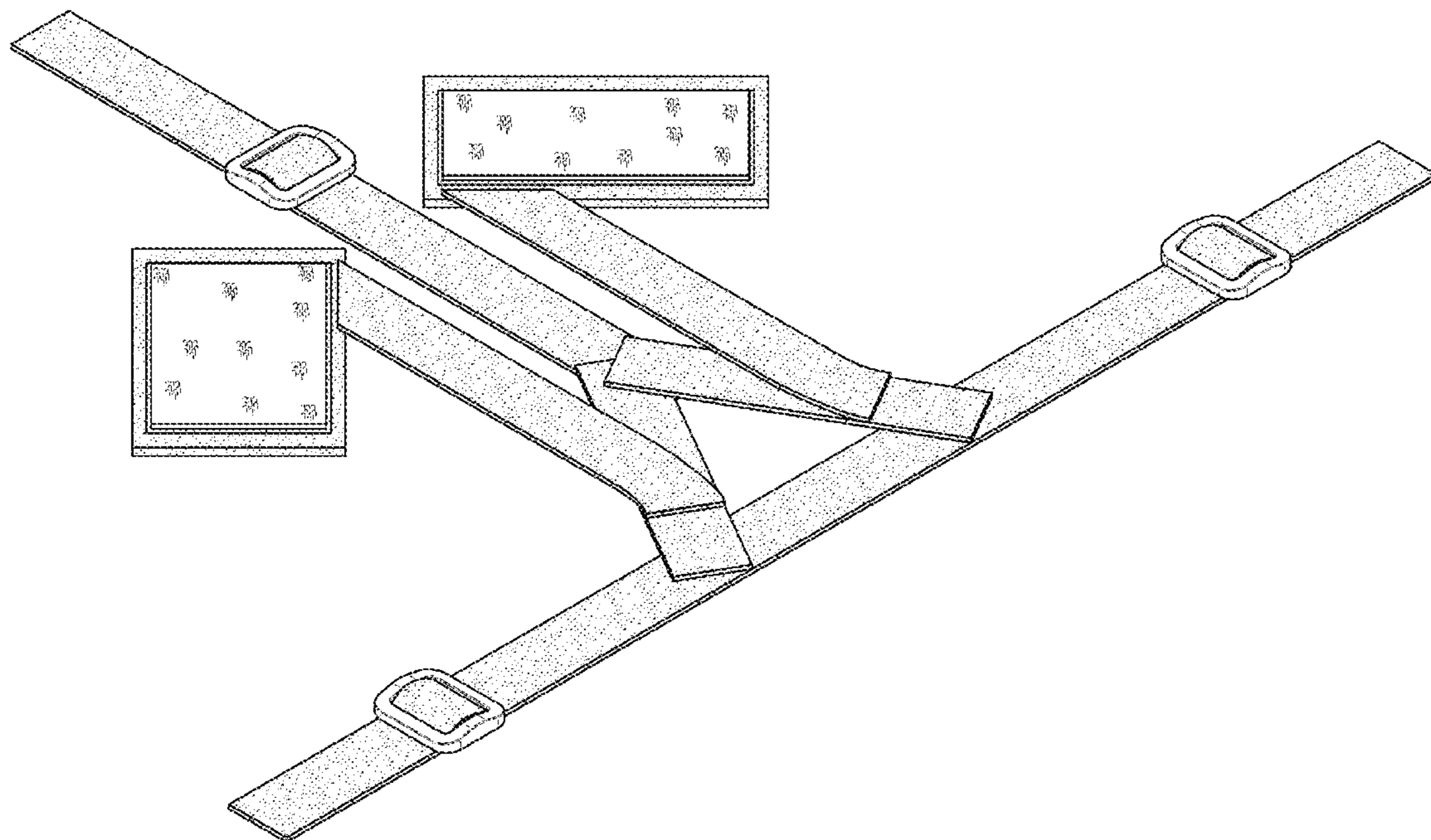
(57) **CLAIM**

The ornamental design for a softball mask attachment, as shown and described.

DESCRIPTION

FIG. 1 is a front perspective view of the present invention;
FIG. 2 is a rear perspective view thereof;
FIG. 3 is a front view thereof;
FIG. 4 is a rear view thereof; and,
FIG. 5 is an environmental view thereof.
Portions shown in broken line are for illustrative purposes
only and form no part of the claimed design.

1 Claim, 5 Drawing Sheets



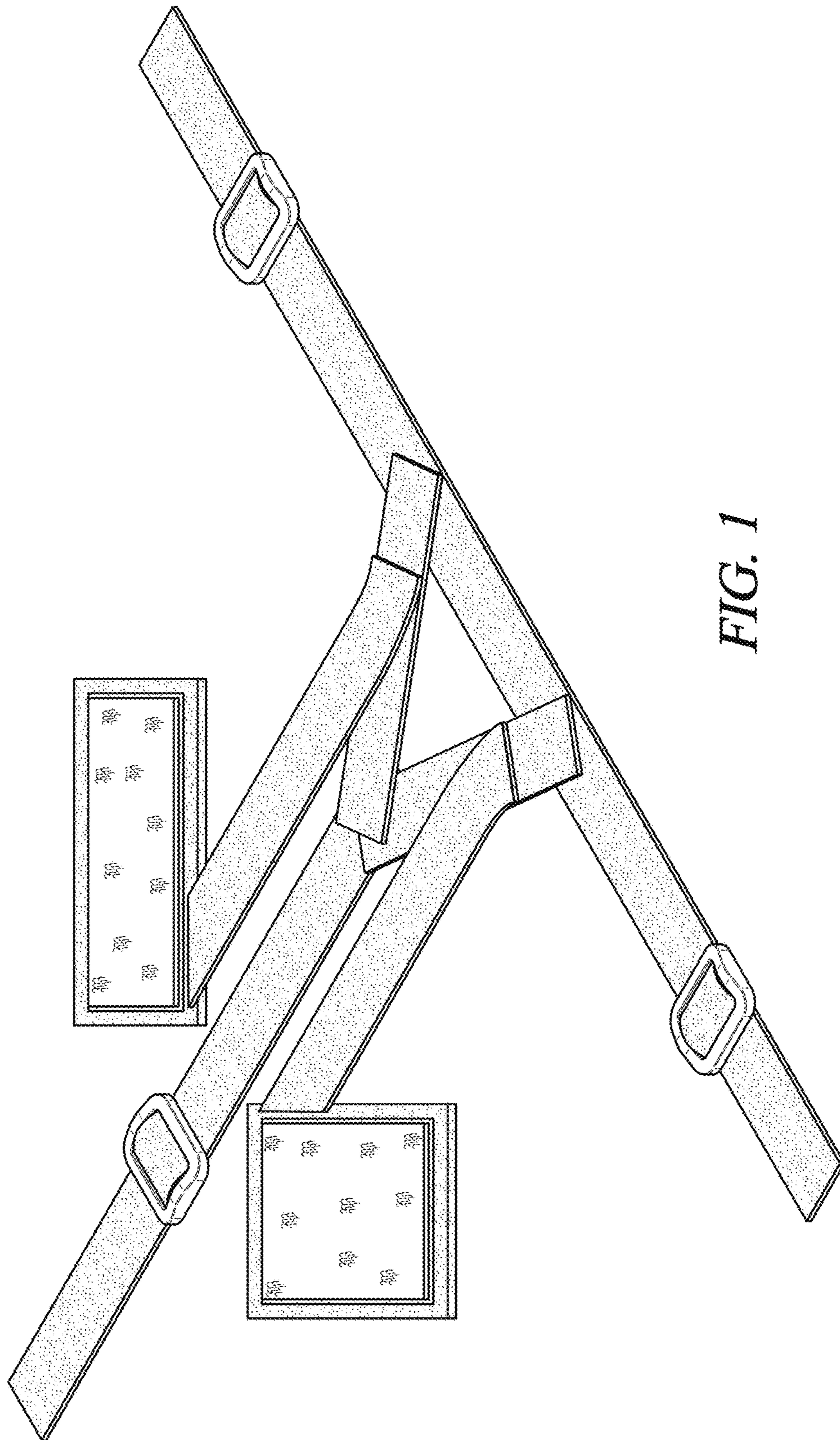


FIG. 1

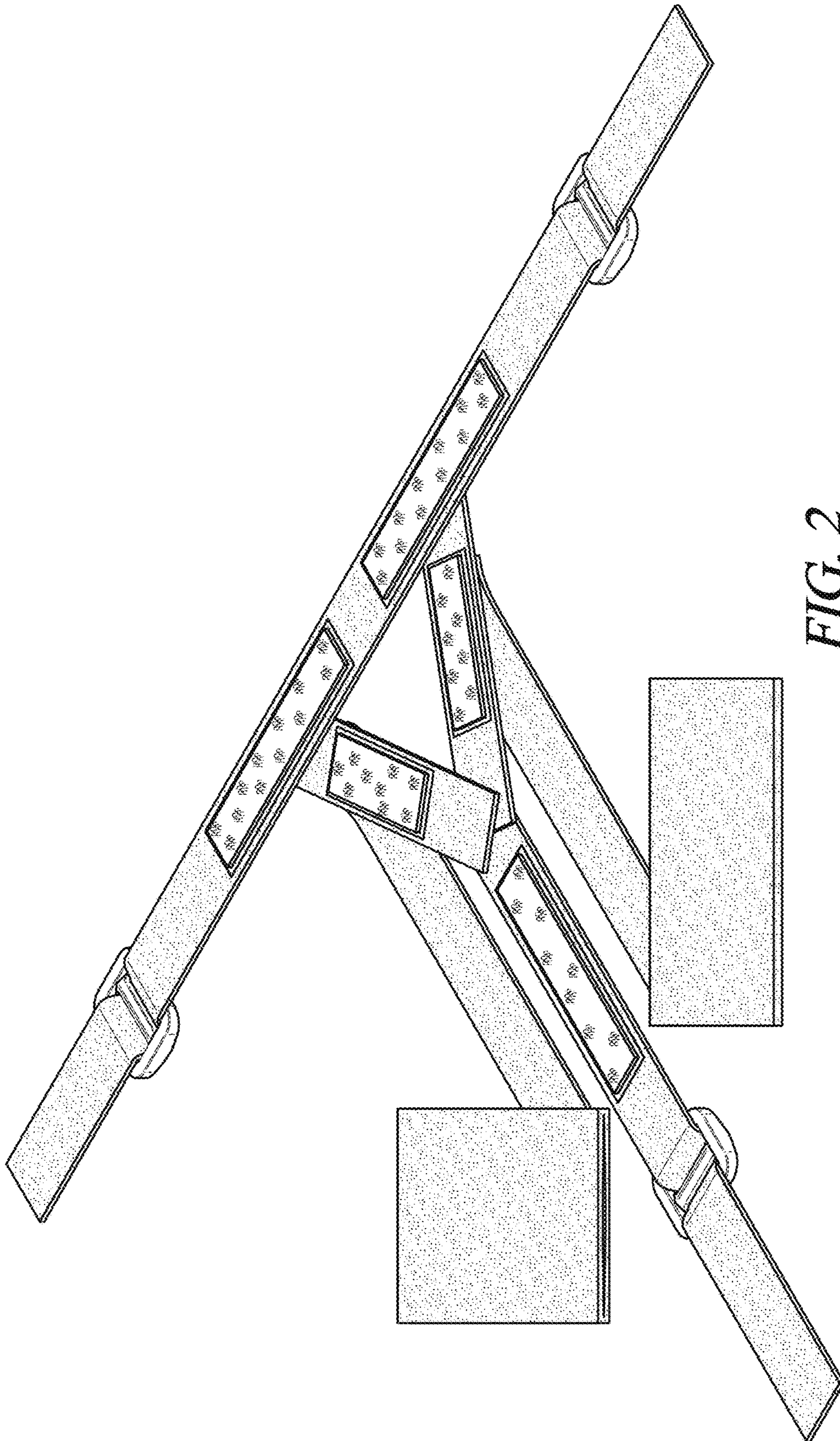


FIG. 2

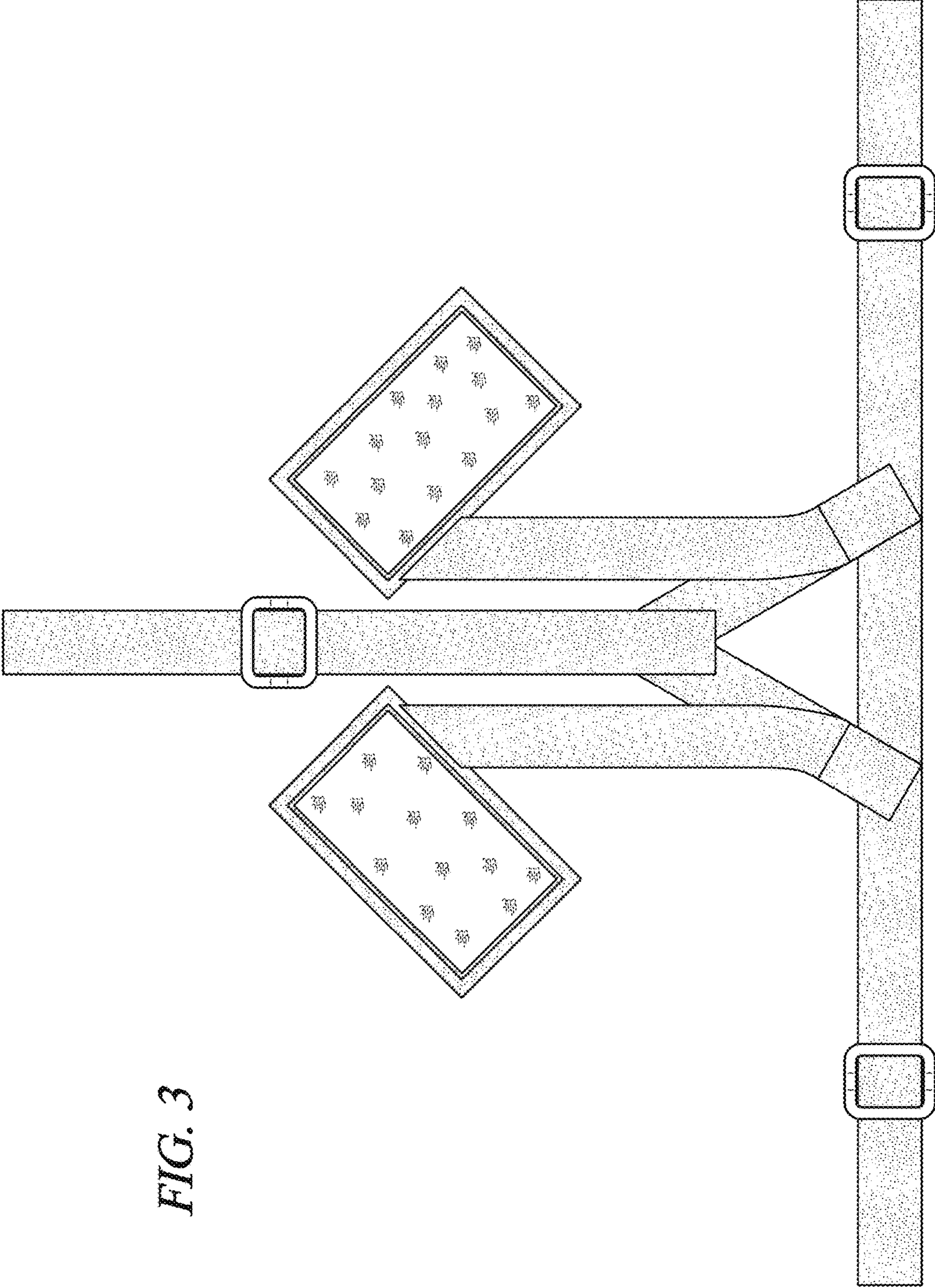


FIG. 3

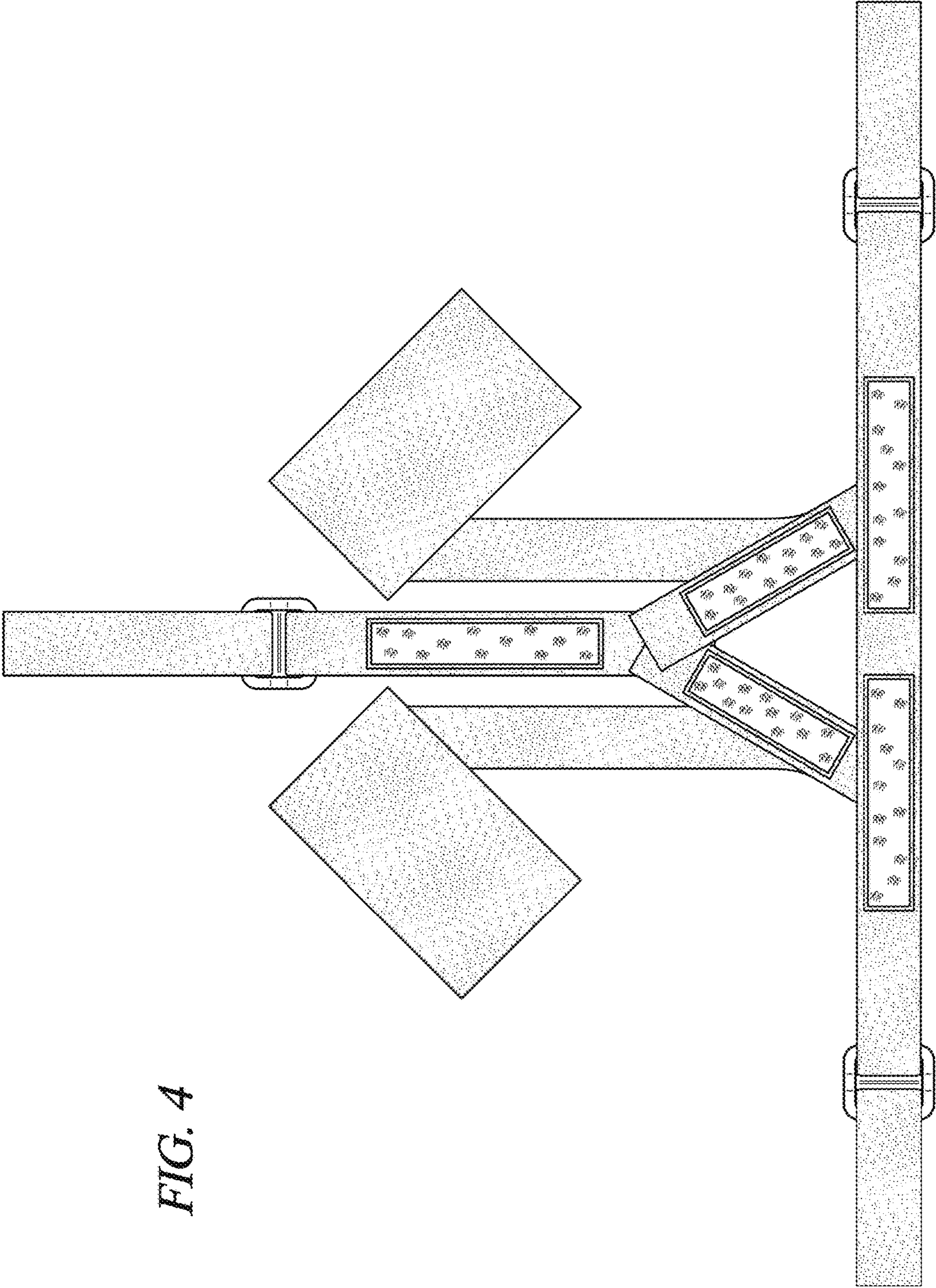


FIG. 4

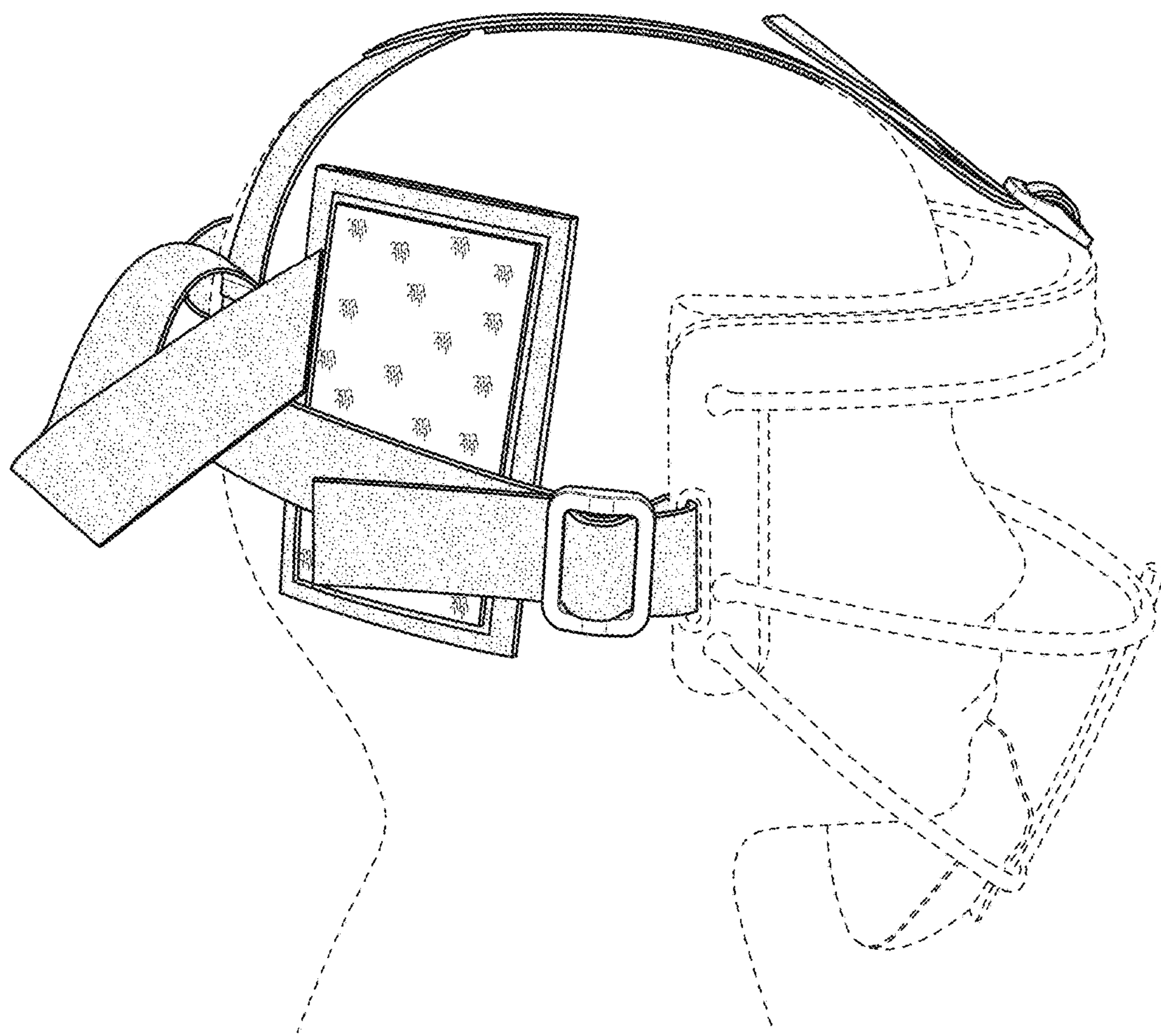


FIG. 5