



US00D840596S

(12) **United States Design Patent**
Kwok

(10) **Patent No.:** **US D840,596 S**

(45) **Date of Patent:** **** Feb. 12, 2019**

(54) **CURLING STYLER**

(71) Applicant: **KENFORD INDUSTRIAL
COMPANY LIMITED, N.T. (HK)**

(72) Inventor: **Kin Sun Kwok, N.T. (HK)**

(73) Assignee: **KENFORD INDUSTRIAL
COMPANY LIMITED, N.T. (HK)**

(**) Term: **15 Years**

(21) Appl. No.: **29/630,117**

(22) Filed: **Dec. 19, 2017**

(51) **LOC (11) Cl.** **28-03**

(52) **U.S. Cl.**
USPC **D28/35**

(58) **Field of Classification Search**
USPC D28/35-38
CPC ... A45D 2/12; A45D 2/14; A45D 2/36-2/367;
A45D 2/001-2/002; A45D 2/06; A45D
2/40; A45D 1/00; A45D 1/02-1/04; A45D
1/06; A45D 1/10; A45D 1/16; A45D 1/28
See application file for complete search history.

(56) **References Cited**

U.S. PATENT DOCUMENTS

5,119,847 A * 6/1992 Powell A45D 2/00
132/210
D727,568 S * 4/2015 Francois D28/10

D736,998 S * 8/2015 Koehler D28/35
D767,205 S * 9/2016 Climer D28/35
D783,204 S * 4/2017 Climer D28/35
D788,979 S * 6/2017 Donnellan D28/35
2010/0089413 A1 * 4/2010 Wright A45D 2/001
132/211
2014/0216493 A1 * 8/2014 Hadden A45D 2/001
132/223

* cited by examiner

Primary Examiner — Jennifer Rivard

(74) *Attorney, Agent, or Firm* — Rabin & Berdo, P.C.

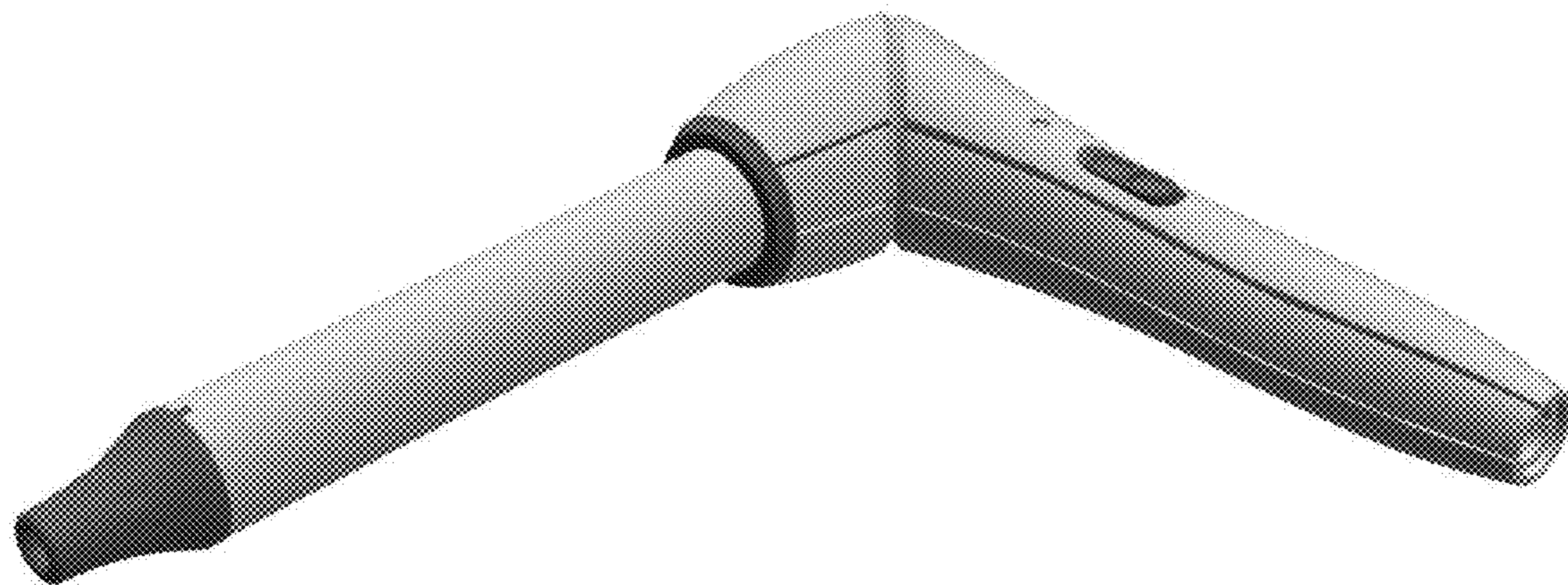
(57) **CLAIM**

The ornamental design for a curling styler, as shown and described.

DESCRIPTION

FIG. 1 is a front view thereof of a curling styler showing my new design;
FIG. 2 is a rear view thereof;
FIG. 3 is a left side view thereof;
FIG. 4 is a right side view thereof;
FIG. 5 is a top plan view thereof;
FIG. 6 is a bottom plan view thereof; and,
FIG. 7 is a perspective view thereof.

1 Claim, 7 Drawing Sheets



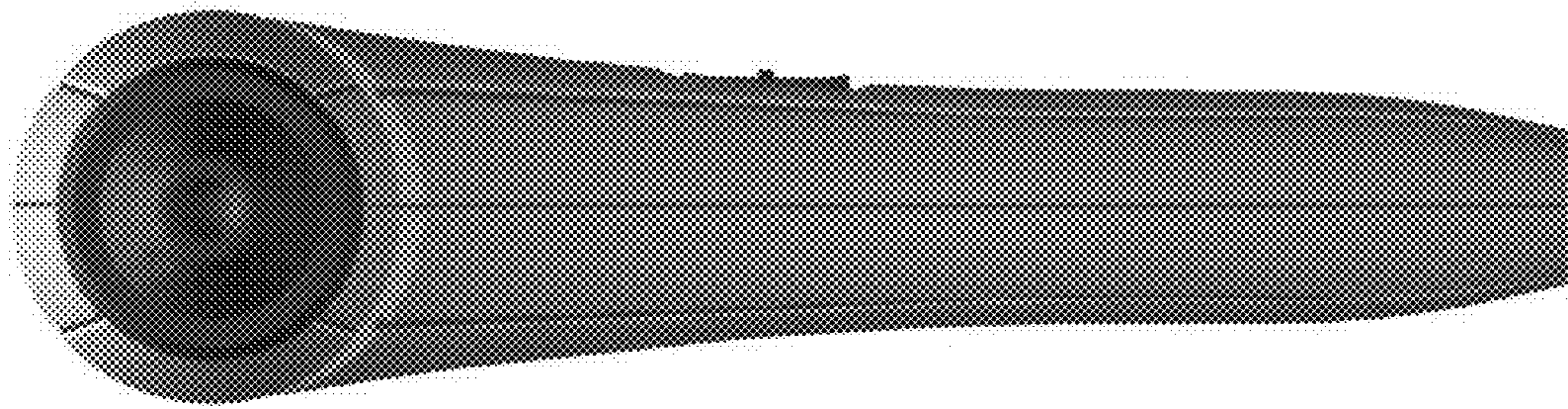


Fig. 1

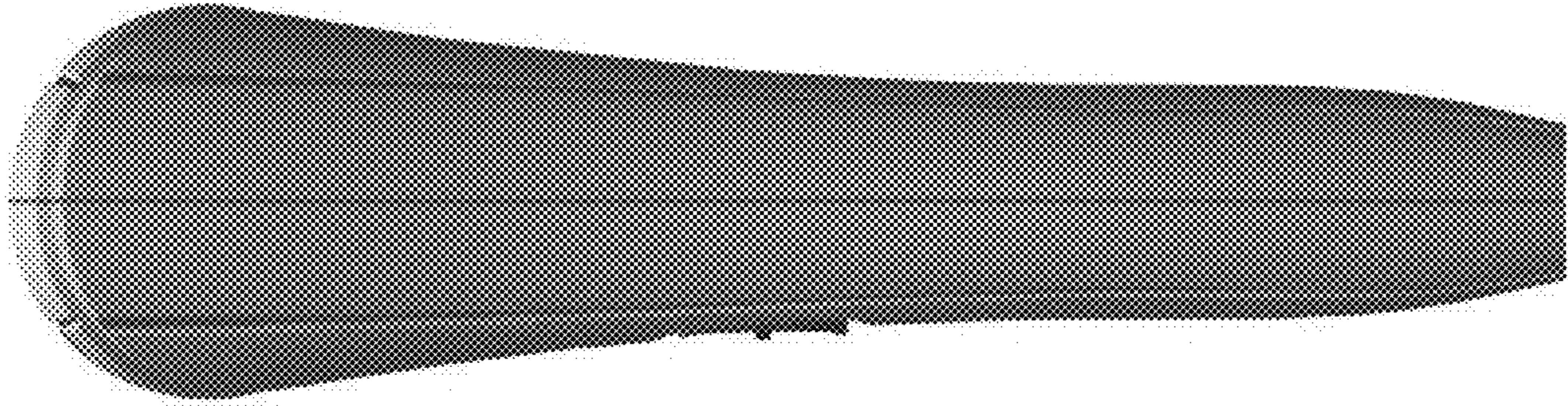


Fig. 2

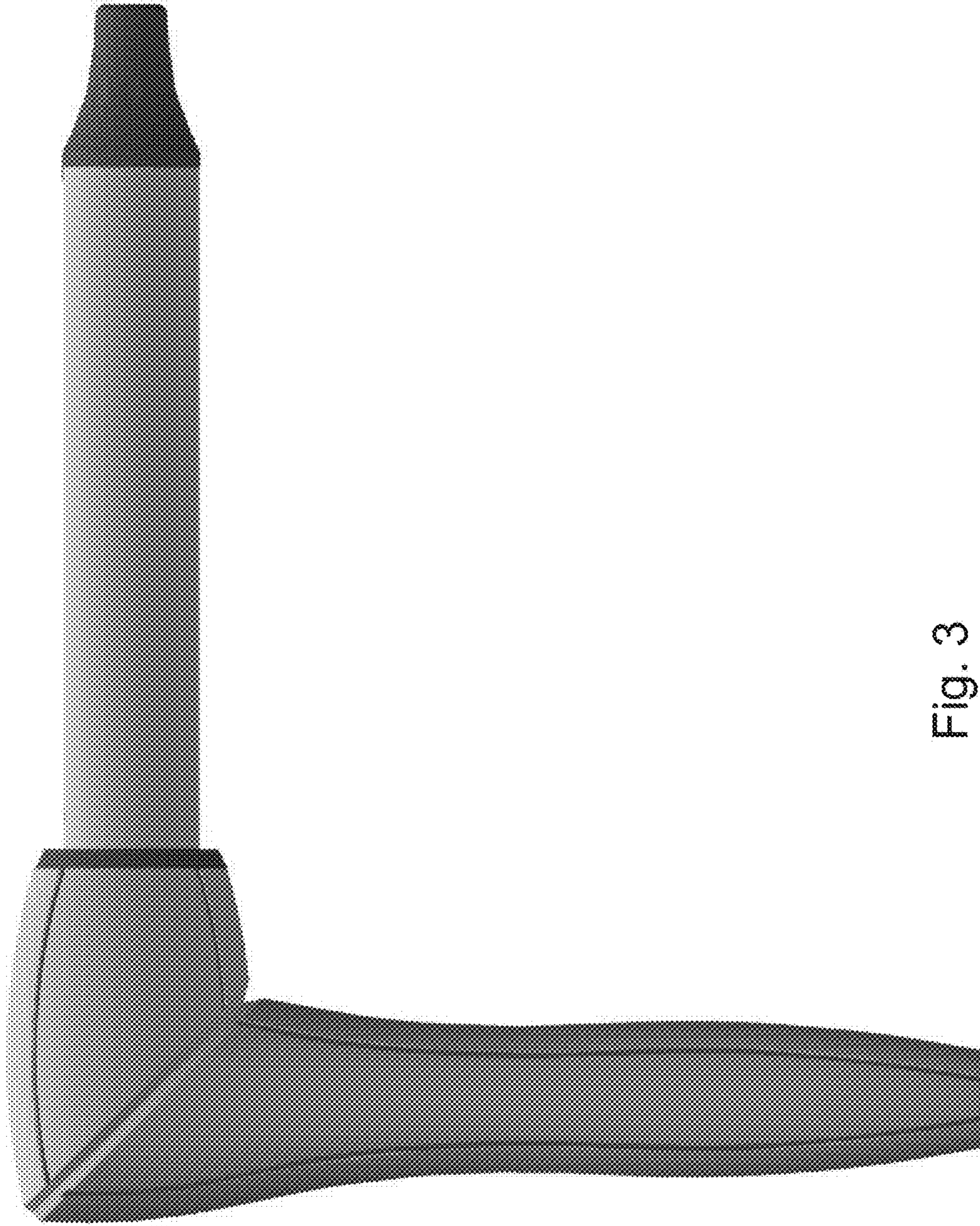


Fig. 3



Fig. 4

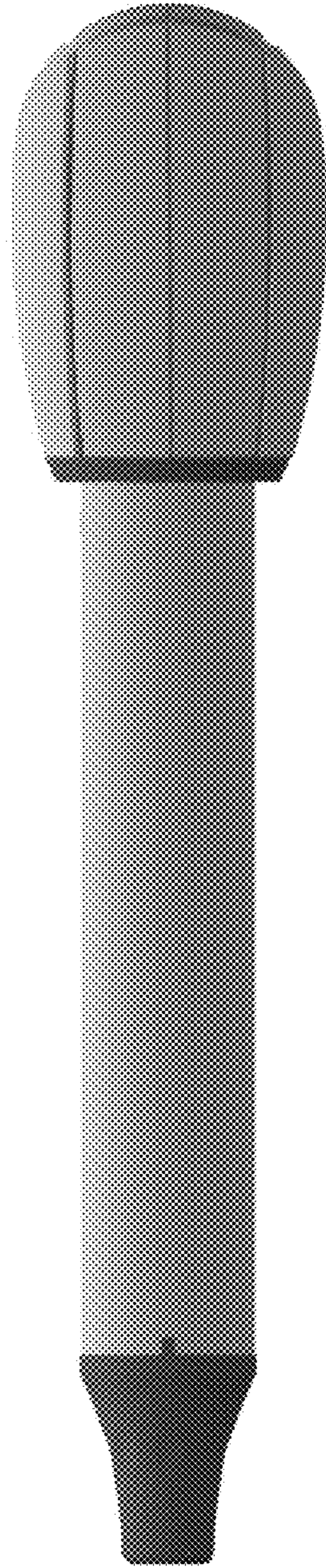


Fig. 5

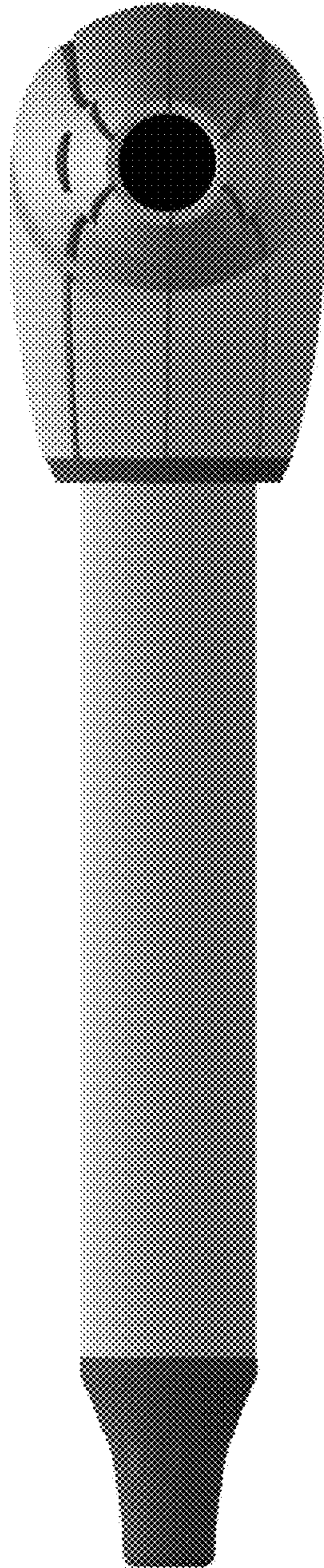


Fig. 6

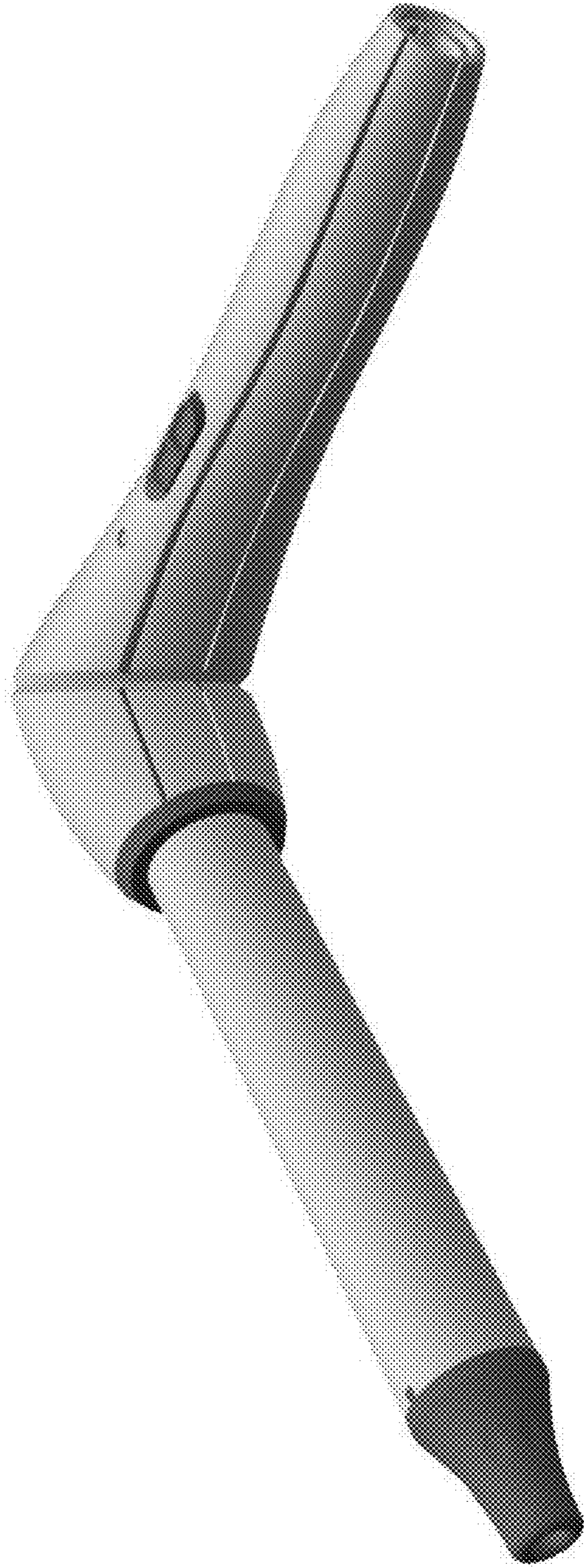


Fig. 7