



US00D840594S

(12) **United States Design Patent**  
**Briscolini**

(10) **Patent No.:** **US D840,594 S**

(45) **Date of Patent:** **\*\* Feb. 12, 2019**

(54) **HAIR STYLING COMB**

(71) Applicant: **Rod Systems Limited**, Qormi (MT)

(72) Inventor: **Robert Briscolini**, Monza Brianza (IT)

(\*\*) Term: **15 Years**

(21) Appl. No.: **29/608,616**

(22) Filed: **Jun. 23, 2017**

(30) **Foreign Application Priority Data**

Dec. 23, 2016 (EM) ..... 003537190-0005

(51) **LOC (11) Cl.** ..... **28-03**

(52) **U.S. Cl.**  
USPC ..... **D28/30**

(58) **Field of Classification Search**  
USPC ..... D28/21, 27, 28, 30, 31, 32, 33, 34, 39,  
D28/40, 92, 93  
CPC .... A45D 24/00; A45D 24/002; A45D 24/005;  
A45D 24/02; A45D 24/04; A45D 24/30;  
A45D 24/34; A45D 24/36; A45D 8/00;  
A45D 8/02; A45D 8/12; A45D 8/20;  
A45D 8/24; A45D 8/28; A45D 8/30;  
A45D 8/34; A45D 2008/002; A45D  
2008/004; A01K 13/00

See application file for complete search history.

(56) **References Cited**

**U.S. PATENT DOCUMENTS**

764,697 A \* 7/1904 Zinn ..... A45D 24/36  
132/148  
764,698 A \* 7/1904 Zinn ..... A45D 24/36  
132/148  
D242,951 S \* 1/1977 Bradford ..... D28/24  
4,709,475 A \* 12/1987 Phung ..... B26B 21/12  
132/76.2

6,006,758 A \* 12/1999 Thorne ..... A45D 24/30  
132/137  
D670,432 S \* 11/2012 Driver ..... D28/21  
2012/0037176 A1 \* 2/2012 Ito ..... A45D 24/02  
132/200  
2014/0144455 A1 \* 5/2014 Heiberg ..... A45D 24/02  
132/159  
2017/0006992 A1 \* 1/2017 Barr ..... A45D 24/10

**OTHER PUBLICATIONS**

Beard Shaping Tool Comb, posted © 2016 [online], retrieved Aug. 28, 2018, retrieved from internet, <<https://prettyinaminute.com/products/beard-shaping-tool-comb/>>.\*

\* cited by examiner

*Primary Examiner* — Barbara Fox  
*Assistant Examiner* — Messina L Smith  
(74) *Attorney, Agent, or Firm* — McGarry Bair PC

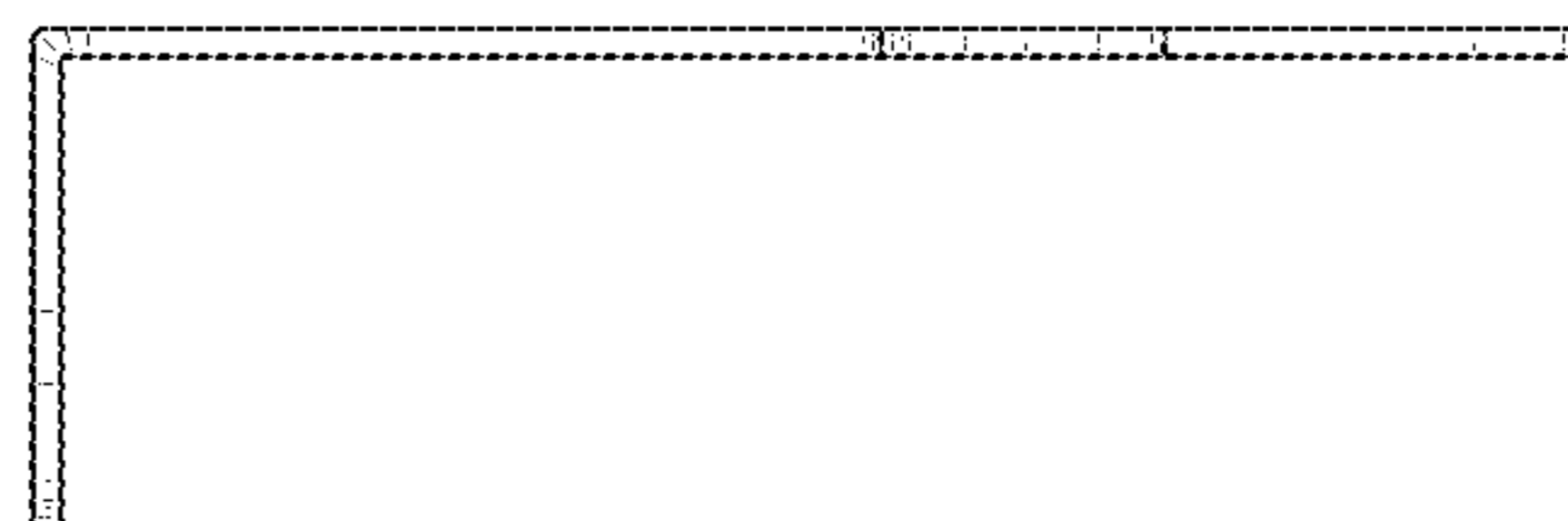
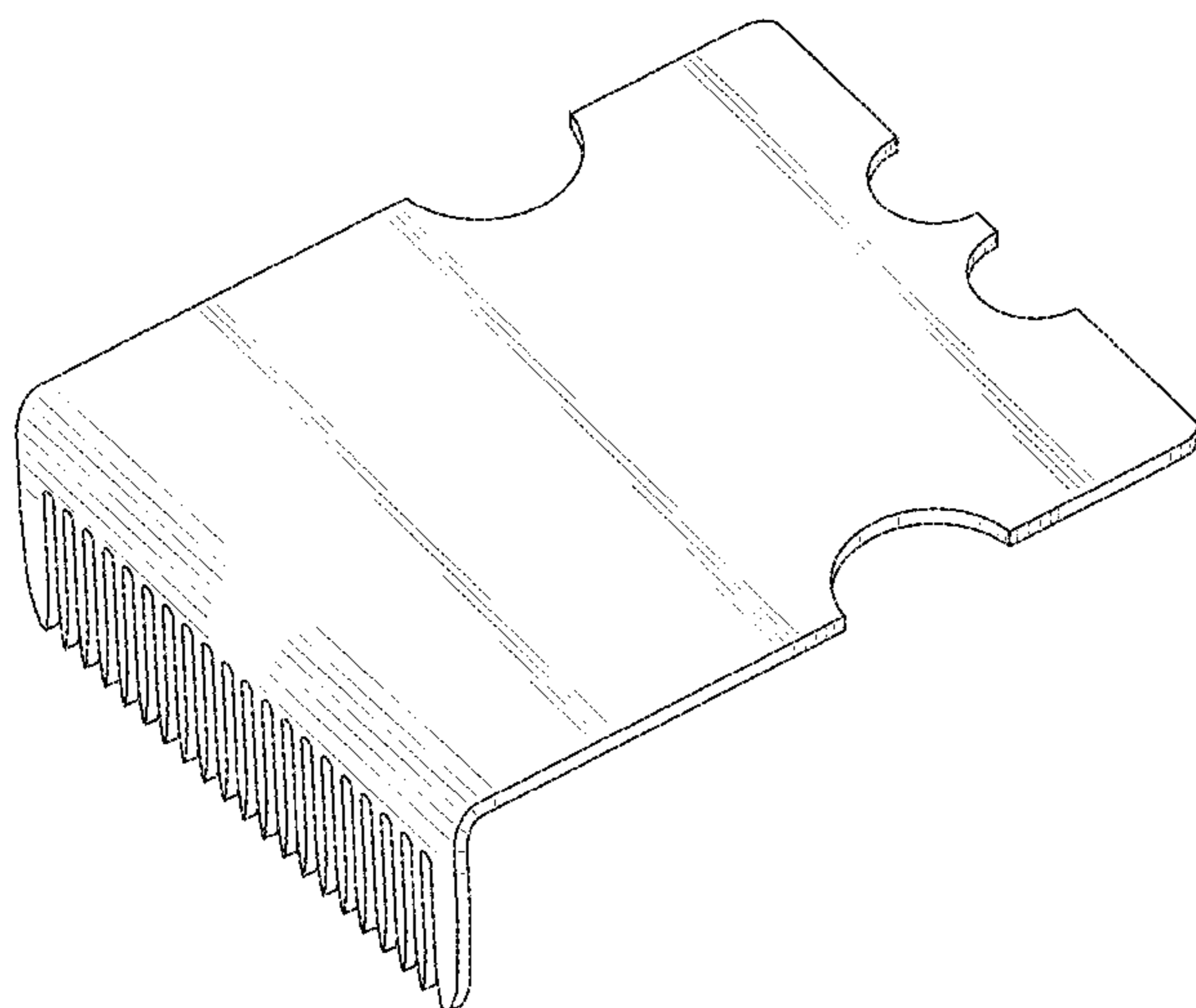
(57) **CLAIM**

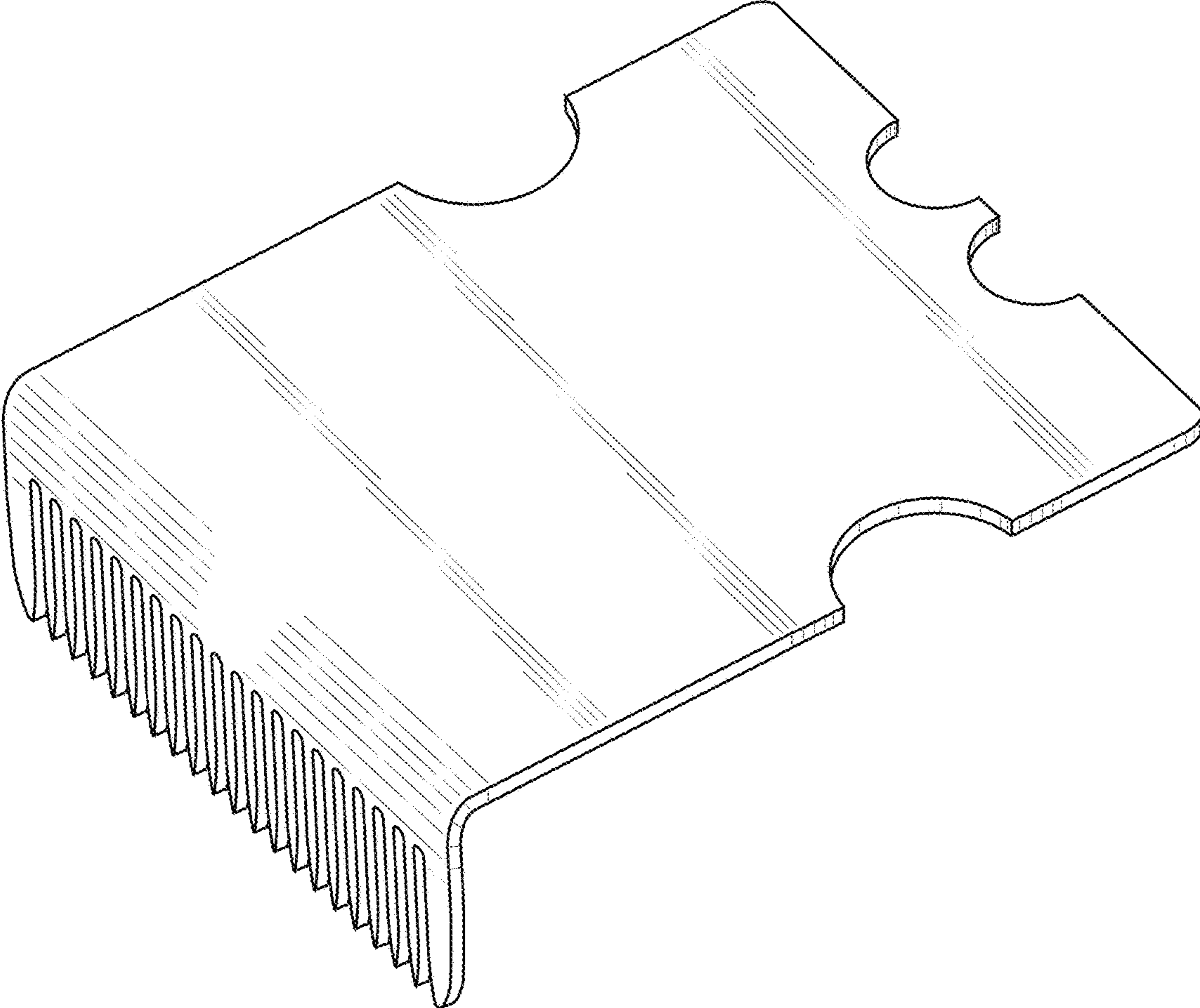
The ornamental design for a hair styling comb, as shown and described.

**DESCRIPTION**

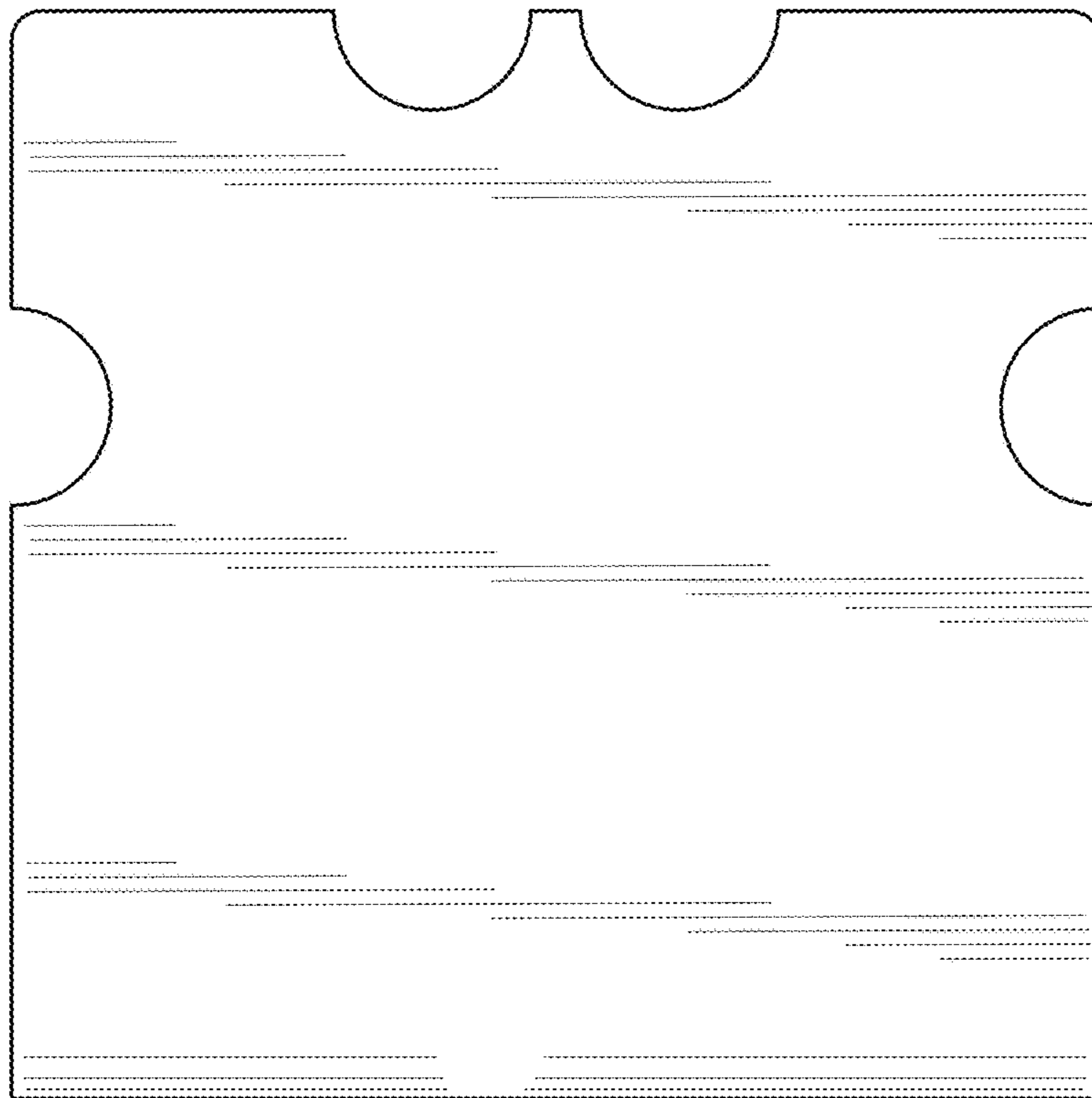
FIG. 1 is a top perspective view of a hair styling comb, showing my new design;  
FIG. 2 is a top view of the hair styling comb of FIG. 1;  
FIG. 3 is a bottom view of the hair styling comb of FIG. 1;  
FIG. 4 is a front view of the hair styling comb of FIG. 1;  
FIG. 5 is a rear view of the hair styling comb of FIG. 1;  
FIG. 6 is a left side view of the hair styling comb of FIG. 1;  
and,  
FIG. 7 is a right side view of the hair styling comb of FIG. 1.

**1 Claim, 5 Drawing Sheets**

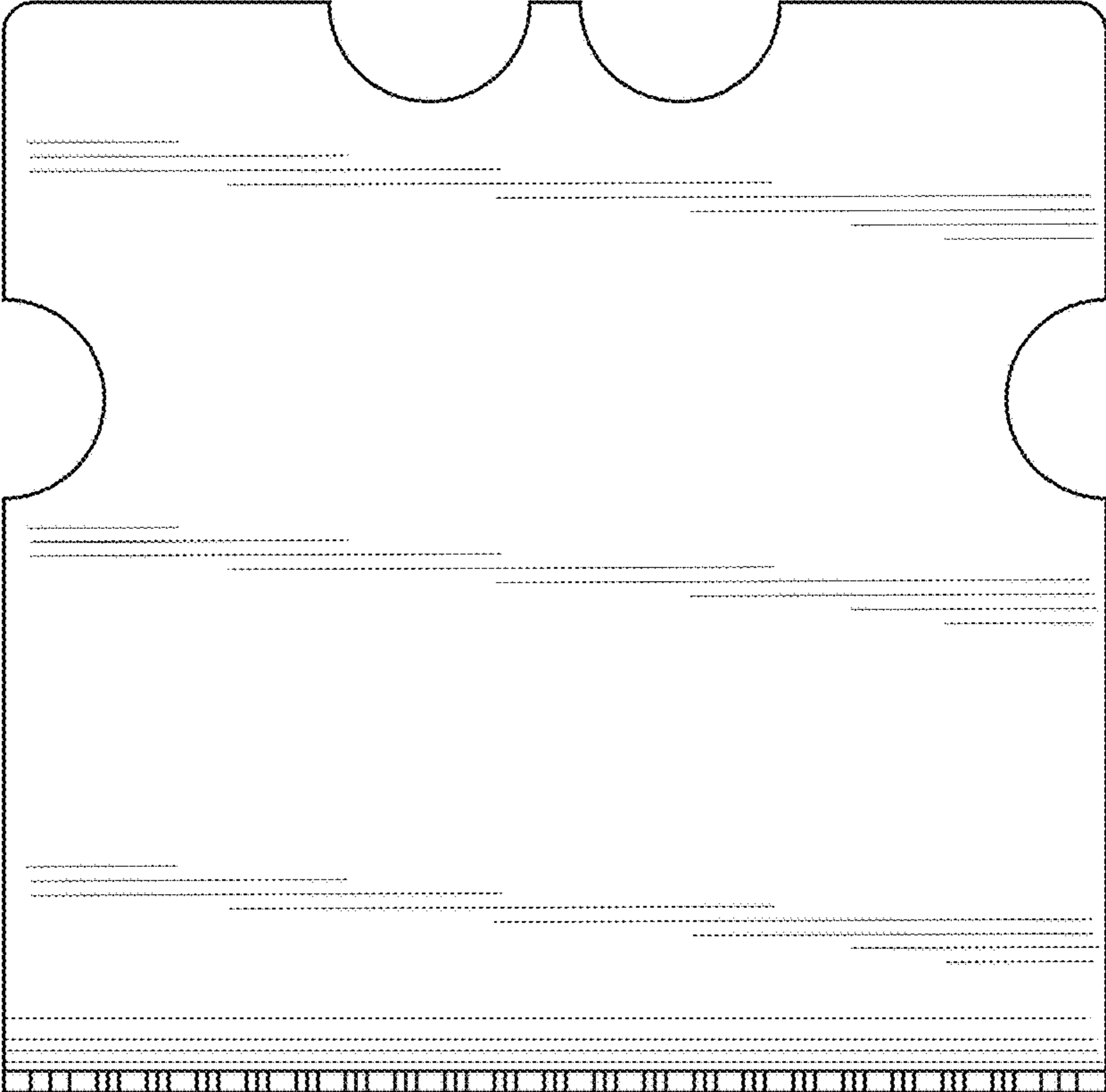




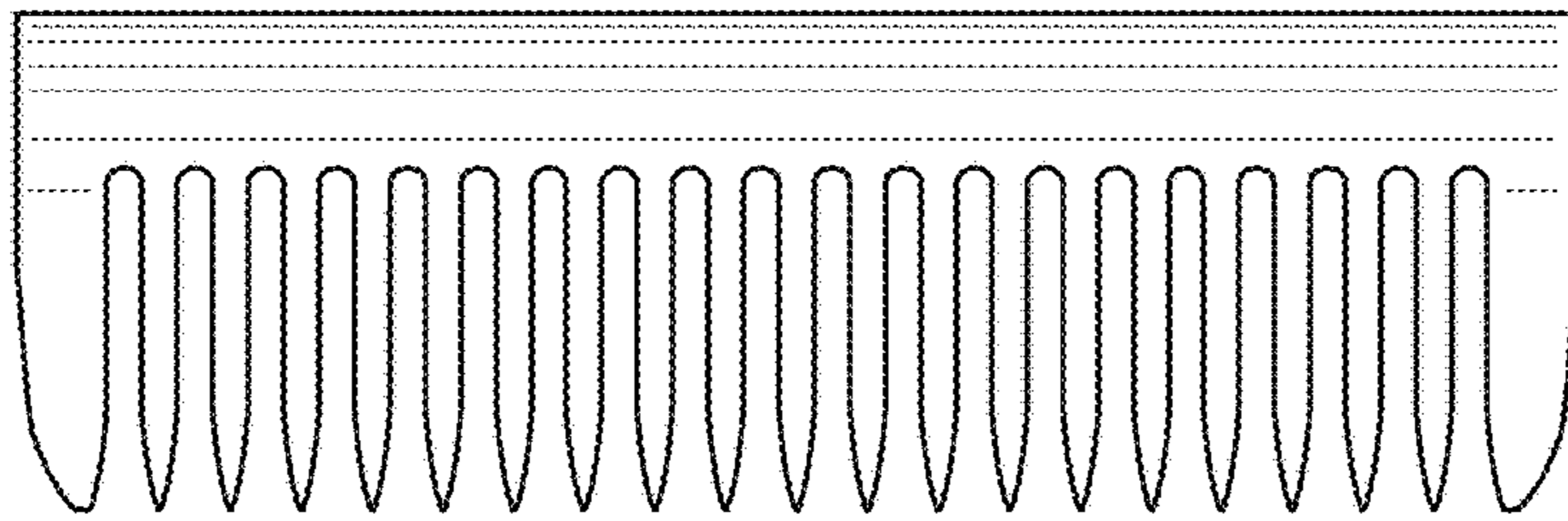
**FIG. 1**



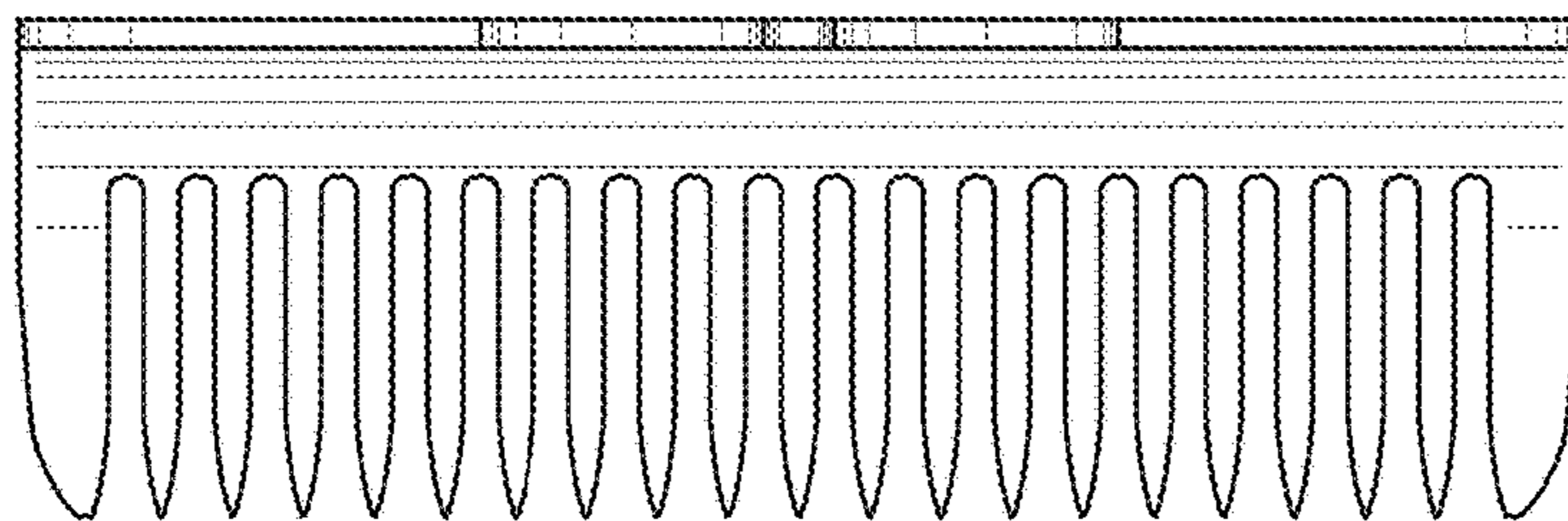
**FIG. 2**



**FIG. 3**



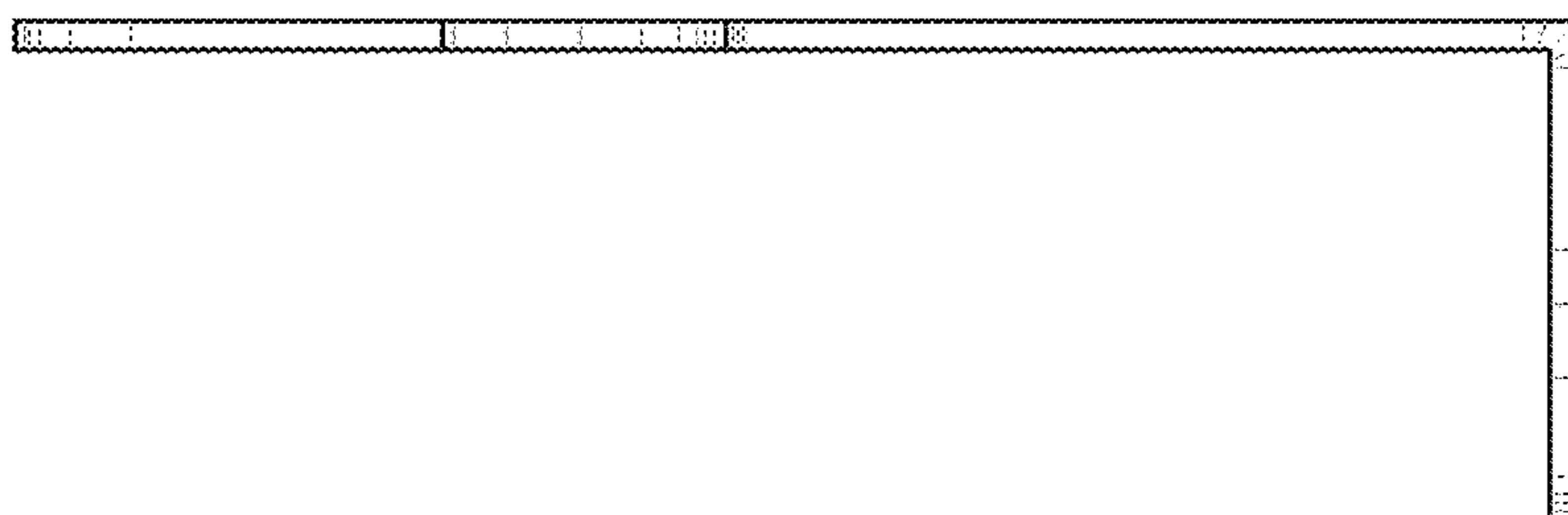
**FIG. 4**



**FIG. 5**



**FIG. 6**



**FIG. 7**