



US00D840585S

(12) **United States Design Patent** (10) **Patent No.:** **US D840,585 S**
Treible, Jr. et al. (45) **Date of Patent:** **** Feb. 12, 2019**

(54) **SENSOR MODULE FOR A LIGHT FIXTURE**

(71) Applicant: **Cooper Technologies Company,**
Houston, TX (US)

(72) Inventors: **Daniel Robert Treible, Jr.,** Liverpool,
NY (US); **Pushpak Paris Yabrer,**
Karnataka (IN); **Prashant Dilip**
Lokhande, Maharashtra (IN); **Jayram**
Shivajirao Desai, Maharashtra (IN);
Anzar Pandurang Rade, Pune (IN)

(73) Assignee: **Cooper Technologies Company,**
Houston, TX (US)

(**) Term: **15 Years**

(21) Appl. No.: **29/619,961**

(22) Filed: **Oct. 3, 2017**

(51) **LOC (11) Cl.** **25-05**

(52) **U.S. Cl.**
USPC **D26/138**

(58) **Field of Classification Search**
USPC D26/2, 3, 23-27, 37-40, 60-65, 68,
D26/70-72, 74, 76, 80-87
CPC F21S 2/00; F21S 4/20; F21S 8/00; F21S
8/02; F21S 8/031; F21S 8/035
See application file for complete search history.

(56) **References Cited**

U.S. PATENT DOCUMENTS

D482,484 S *	11/2003	Benghozi	D26/85
D482,485 S *	11/2003	Benghozi	D26/85
D515,957 S *	2/2006	Dueker	D10/109.1
D614,321 S *	4/2010	Yang	D26/2
D621,971 S *	8/2010	Yamamoto	D26/2
D631,573 S *	1/2011	Yamamoto	D26/2
D636,117 S *	4/2011	Kim	D26/138
D636,118 S *	4/2011	Kim	D26/138

D662,621 S *	6/2012	Yamamoto	D26/2
D753,850 S *	4/2016	Shum	D26/2
D770,084 S *	10/2016	Salomon	D26/138
D770,673 S *	11/2016	Hasan	D26/138
D796,733 S *	9/2017	LaDuca	D26/138
2014/0168981 A1 *	6/2014	VanStiphout	F21V 19/003 362/249.02

* cited by examiner

Primary Examiner — Mark A Goodwin

Assistant Examiner — Benjamin M Weeks

(74) *Attorney, Agent, or Firm* — King & Spalding LLP

(57) **CLAIM**

The ornamental design for a sensor module for a light fixture, as shown and described.

DESCRIPTION

FIG. 1 is a bottom-side-front perspective view of a sensor module coupled to a light fixture, showing our new design; FIG. 2 is a bottom-side-front perspective view of the sensor module of FIG. 1; FIG. 3 is a top-side-front perspective view of the sensor module of FIG. 1; FIG. 4 is a right-side elevation view of the sensor module of FIG. 1; FIG. 5 is a left-side elevation view of the sensor module of FIG. 1; FIG. 6 is a front elevation view of the sensor module of FIG. 1; FIG. 7 is a rear elevation view of the sensor module of FIG. 1; FIG. 8 is a bottom plan view of the sensor module of FIG. 1; and, FIG. 9 is a top plan view of the sensor module of FIG. 1. The broken lines shown in the figures depict portions of the sensor module for a light fixture that form no part of the claimed design.

1 Claim, 7 Drawing Sheets

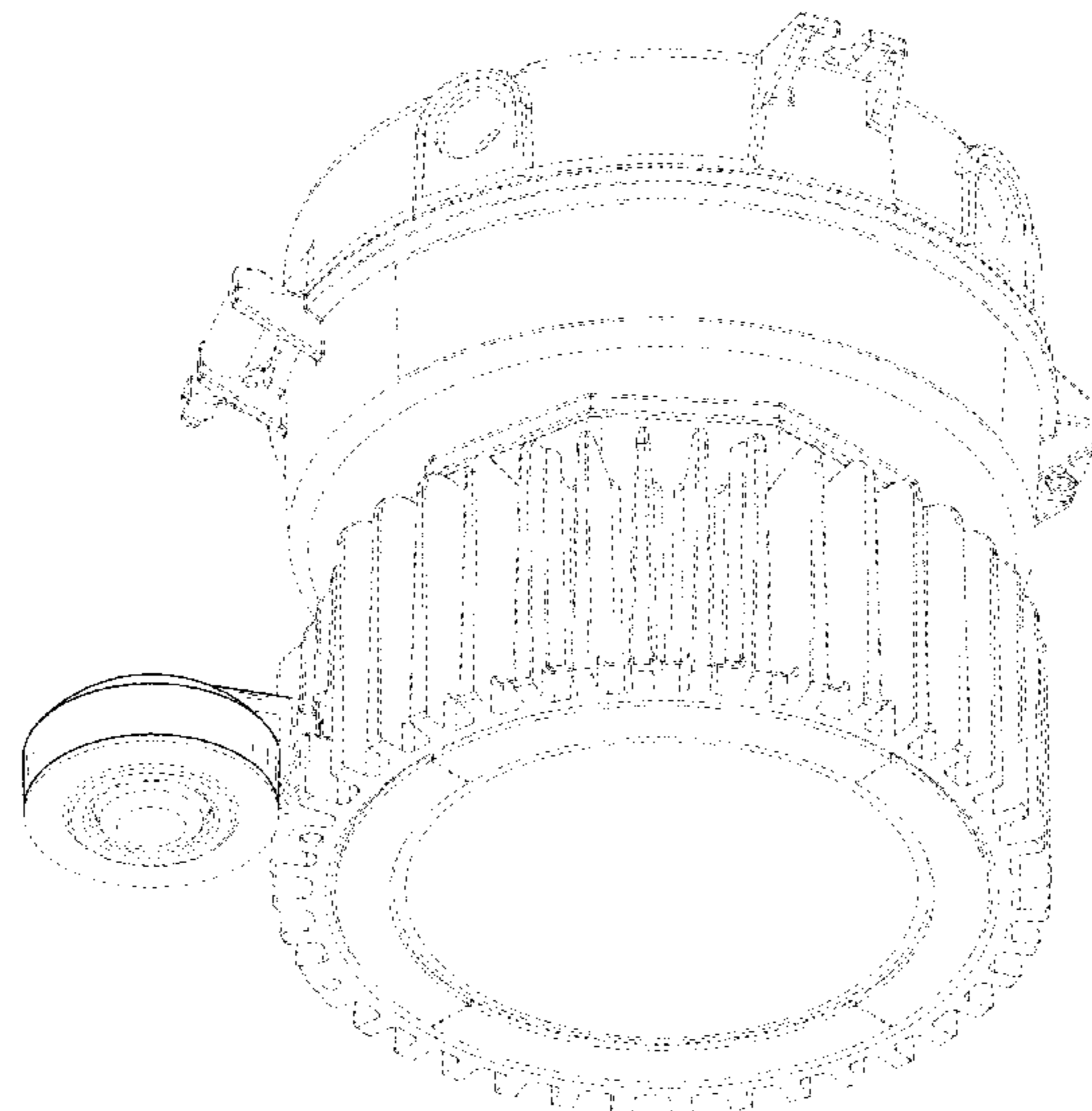


FIG. 1

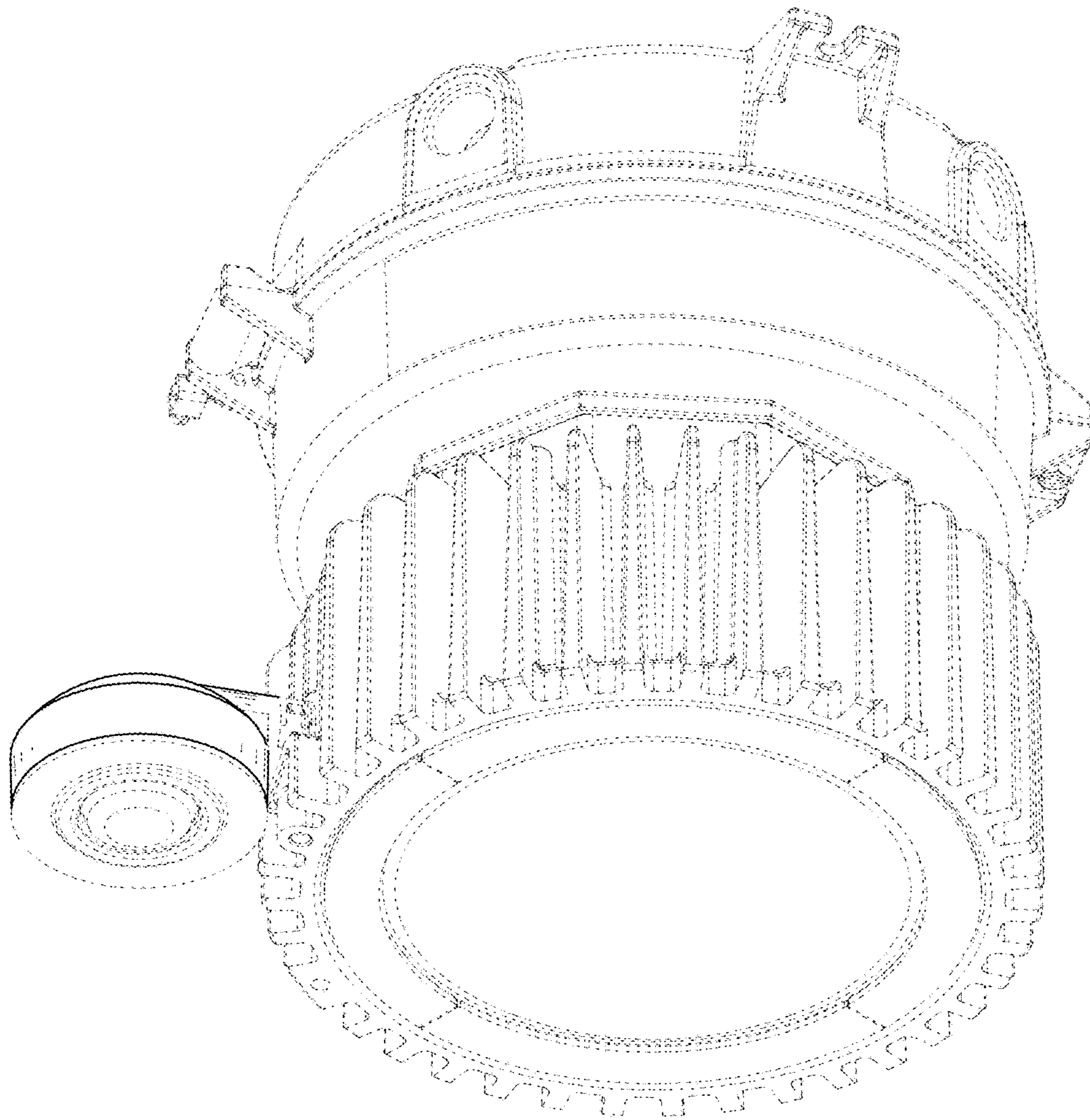


FIG. 2

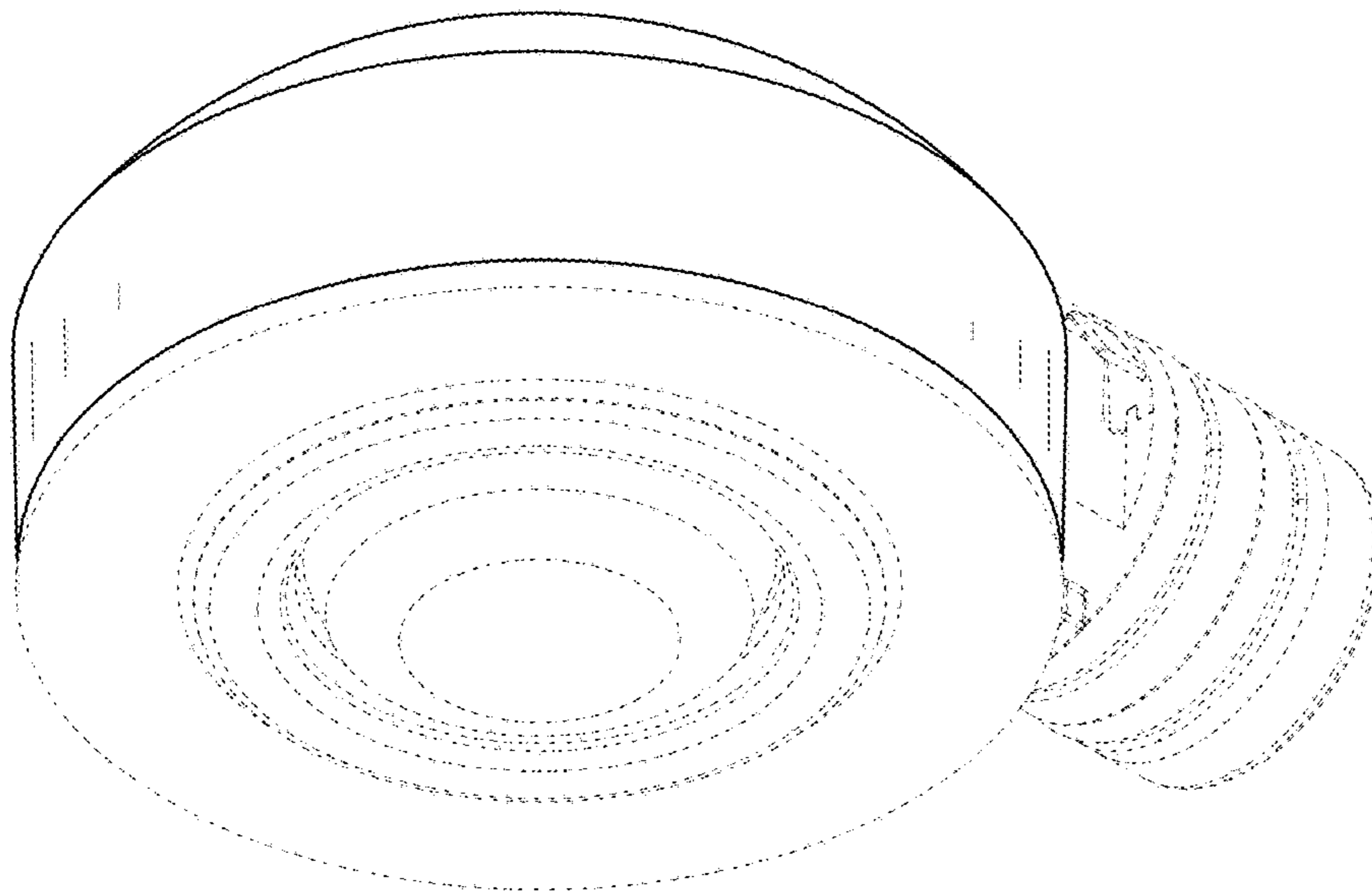


FIG. 3

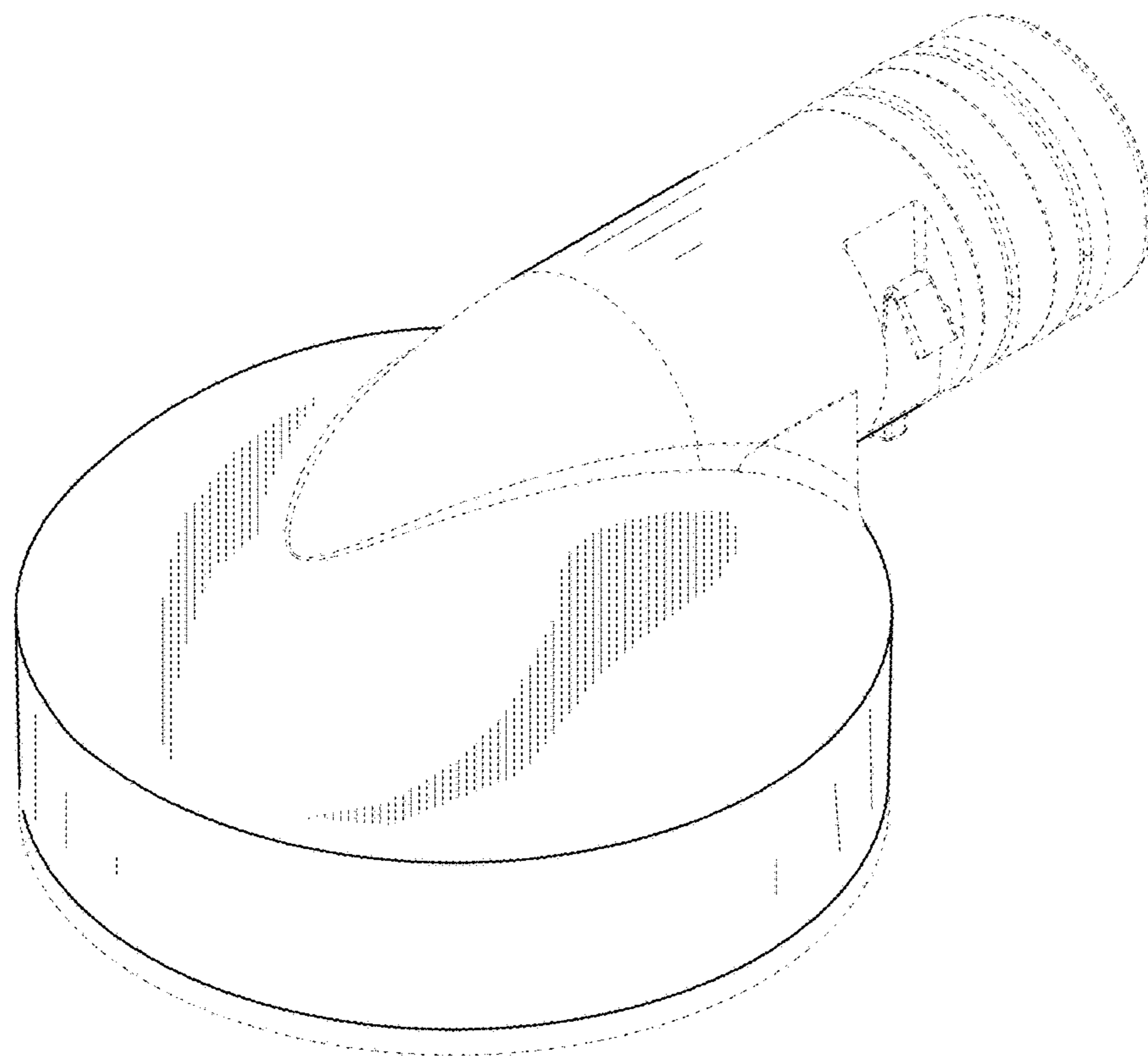


FIG. 4

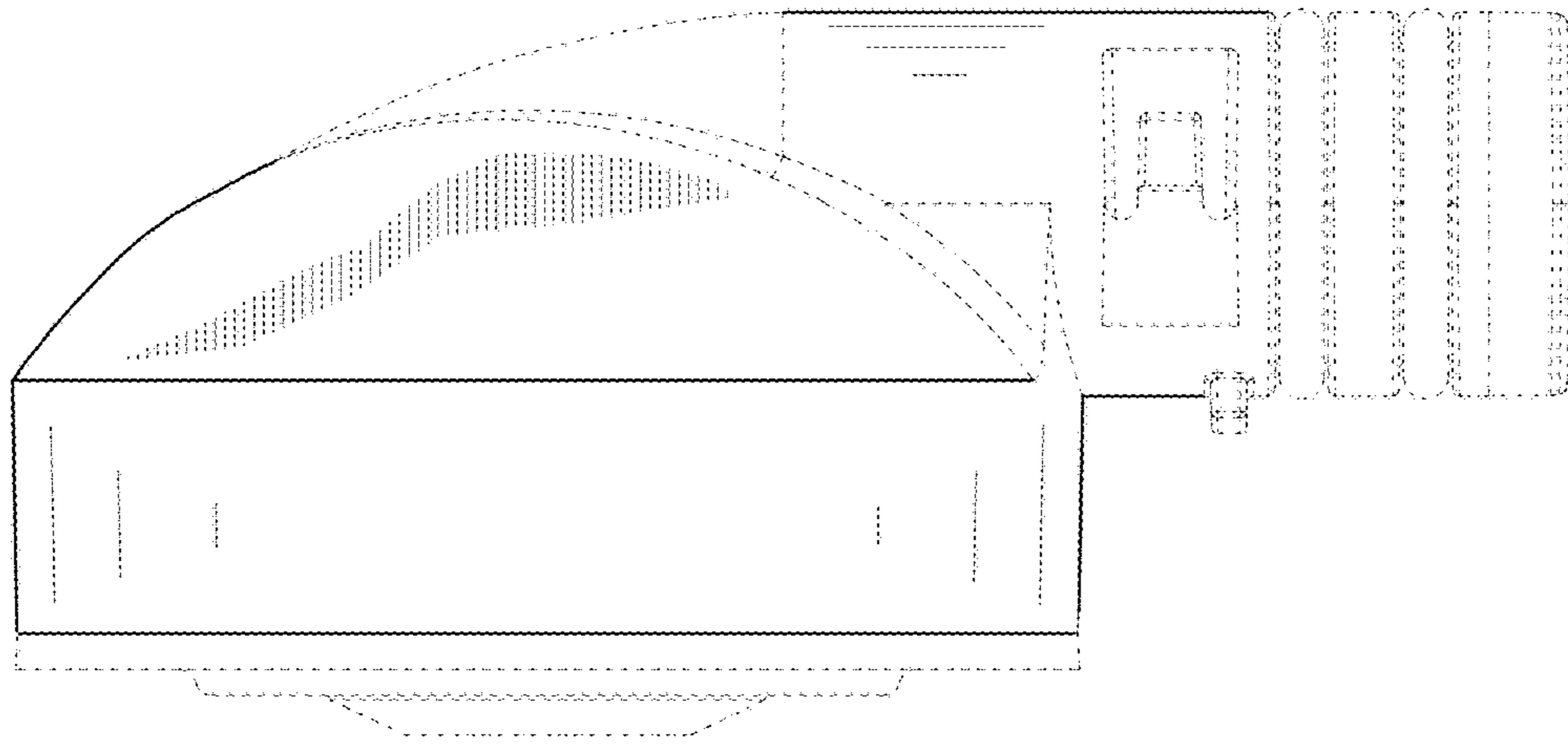


FIG. 5

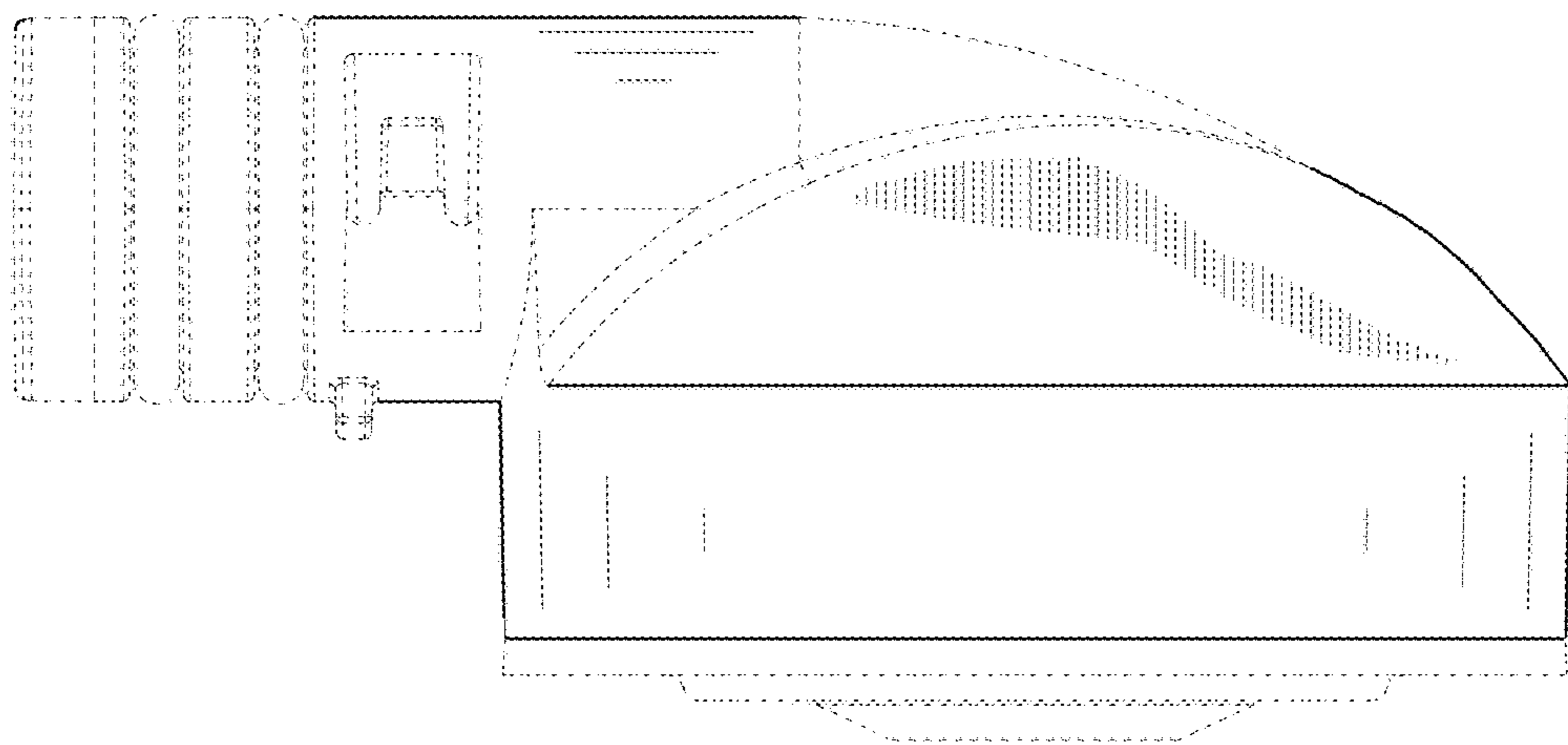


FIG. 6

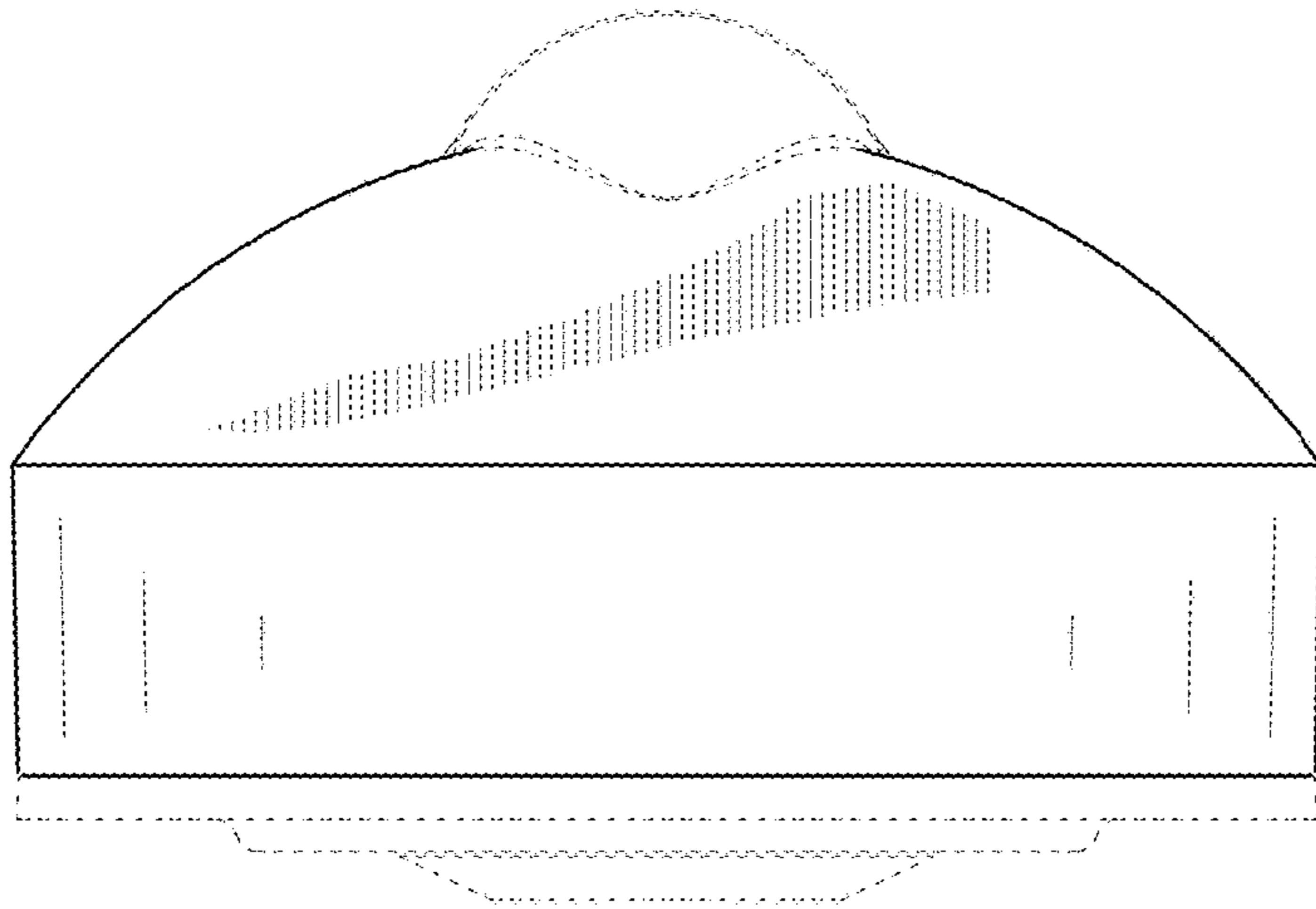


FIG. 7

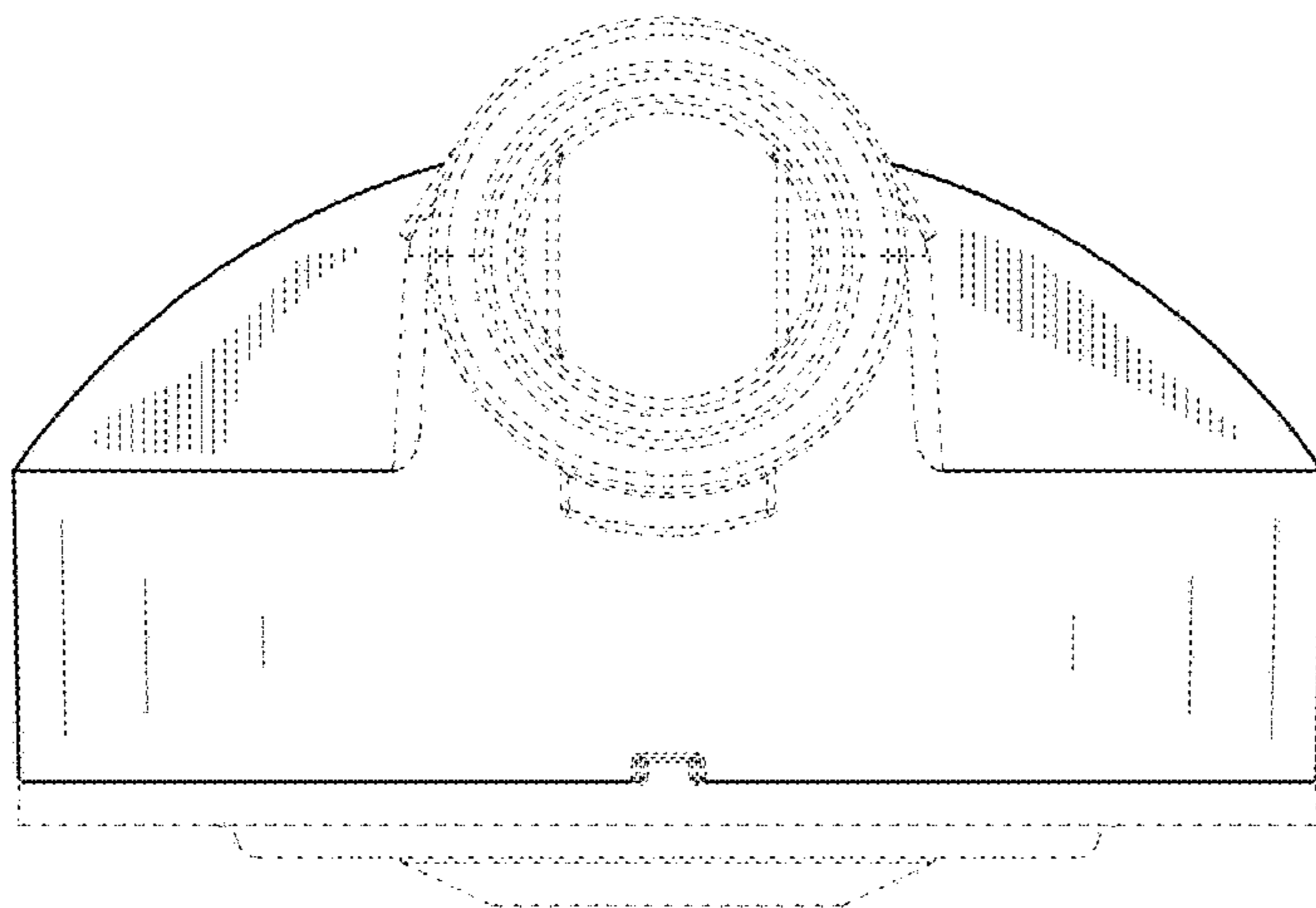


FIG. 8

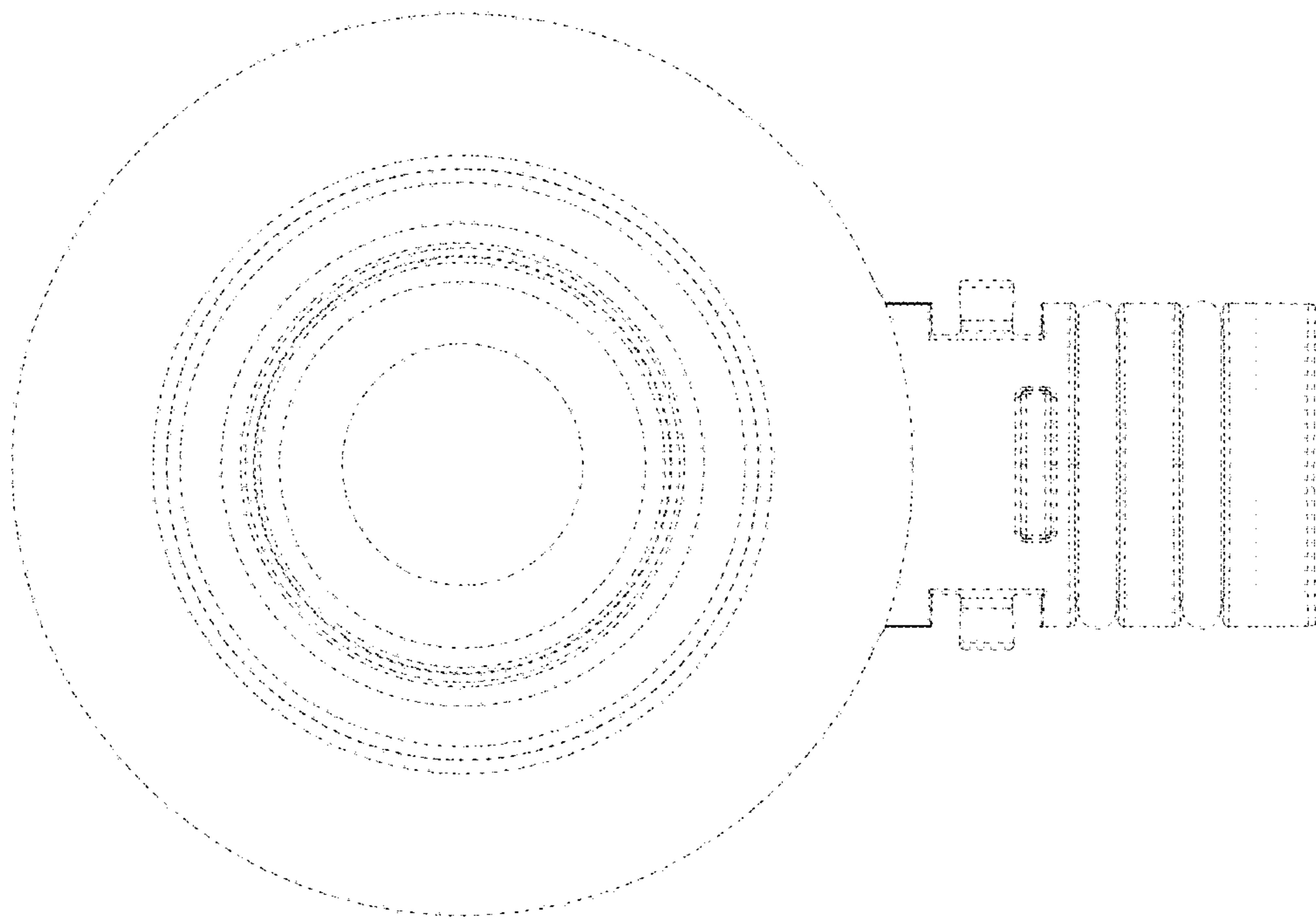


FIG. 9

