



US00D840583S

(12) **United States Design Patent** (10) **Patent No.:** **US D840,583 S**
Yu et al. (45) **Date of Patent:** **** Feb. 12, 2019**

(54) **PORTABLE DESKTOP LIGHT BAR FIXTURE**

(71) Applicants: **Scott S Yu**, Tiburon, CA (US); **Rick Wong**, Sonoma, CA (US)

(72) Inventors: **Scott S Yu**, Tiburon, CA (US); **Rick Wong**, Sonoma, CA (US)

(73) Assignee: **VODE LIGHTING, LLC**, Sonoma, CA (US)

(**) Term: **15 Years**

(21) Appl. No.: **29/603,221**

(22) Filed: **May 8, 2017**

(51) **LOC (11) Cl.** **26-03**

(52) **U.S. Cl.**
USPC **D26/107**

(58) **Field of Classification Search**
USPC D26/1, 24, 63, 65, 93, 104, 106, 107, D26/109, 110
CPC F21S 6/00; F21S 6/043; F21S 8/08; F21V 21/00; F21V 21/02; F21W 2121/00; F21W 2131/30
See application file for complete search history.

(56) **References Cited**

U.S. PATENT DOCUMENTS

D122,711 S * 9/1940 May D26/109
D450,408 S * 11/2001 Wang D26/109

D662,640 S * 6/2012 Ng D26/65
D690,044 S * 9/2013 Ng D26/65
D690,861 S * 10/2013 Huang D26/65
D729,964 S * 5/2015 Huh D26/63
D744,154 S * 11/2015 Ng D26/107
D747,536 S * 1/2016 Huh D26/107
D768,908 S * 10/2016 Fisher D26/107
D804,071 S * 11/2017 Xu D26/63

* cited by examiner

Primary Examiner — Brian N. Vinson

(74) *Attorney, Agent, or Firm* — Peter Tormey; Antero, Tormey & Petrin, PC

(57) **CLAIM**

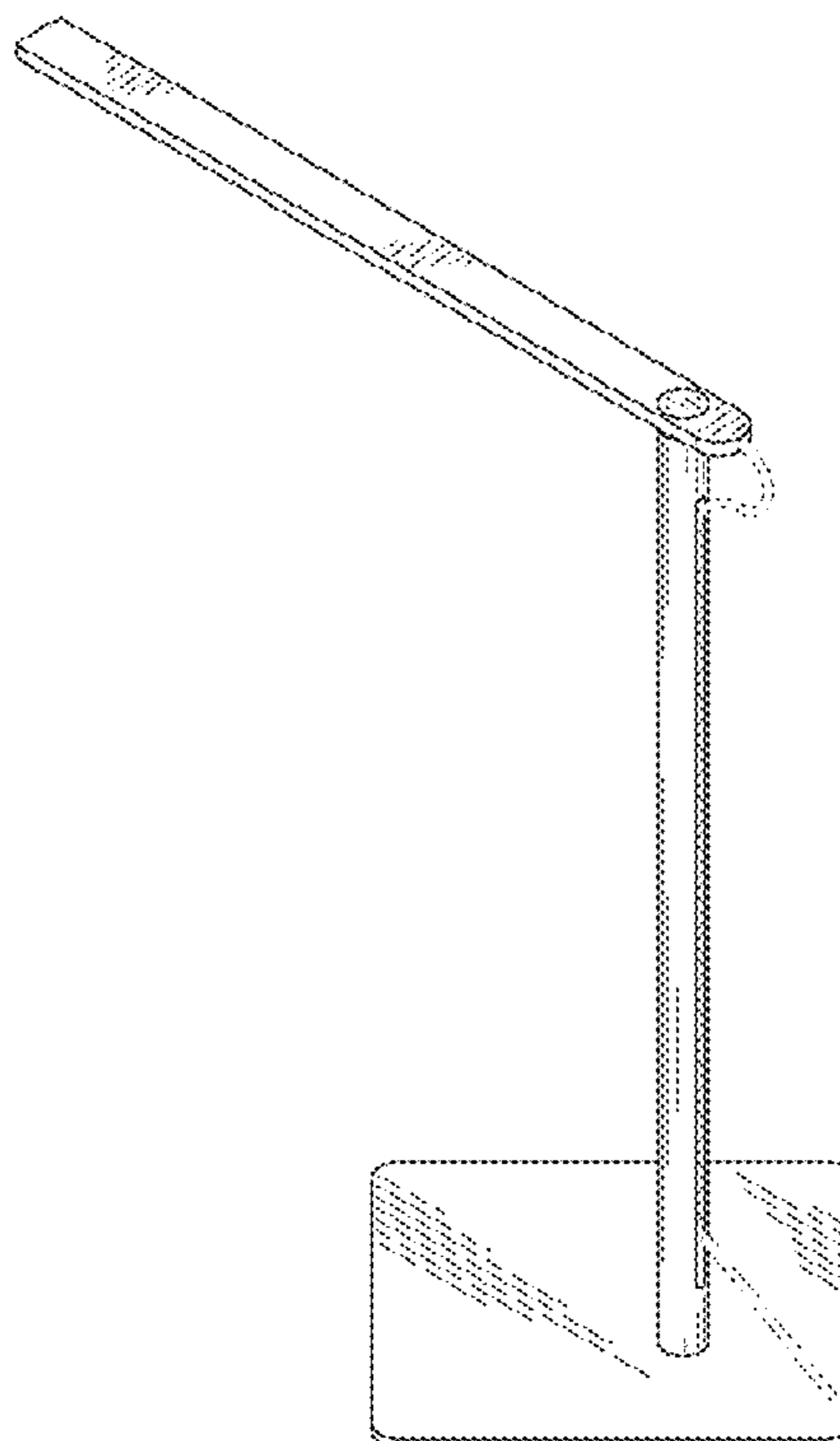
We claim the ornamental design for a portable desktop light bar fixture, as shown and described.

DESCRIPTION

FIG. 1 is a top perspective view of a portable desktop light bar fixture, showing the new design; FIG. 2 is a left side view thereof; FIG. 3 is a right side view thereof; FIG. 4 is a back view thereof; FIG. 5 is a front view thereof; FIG. 6 is a top view thereof; and, FIG. 7 is a bottom view thereof.

The broken line disclosure represents portions of the portable desktop light bar fixture which form no part of the claimed design.

1 Claim, 6 Drawing Sheets



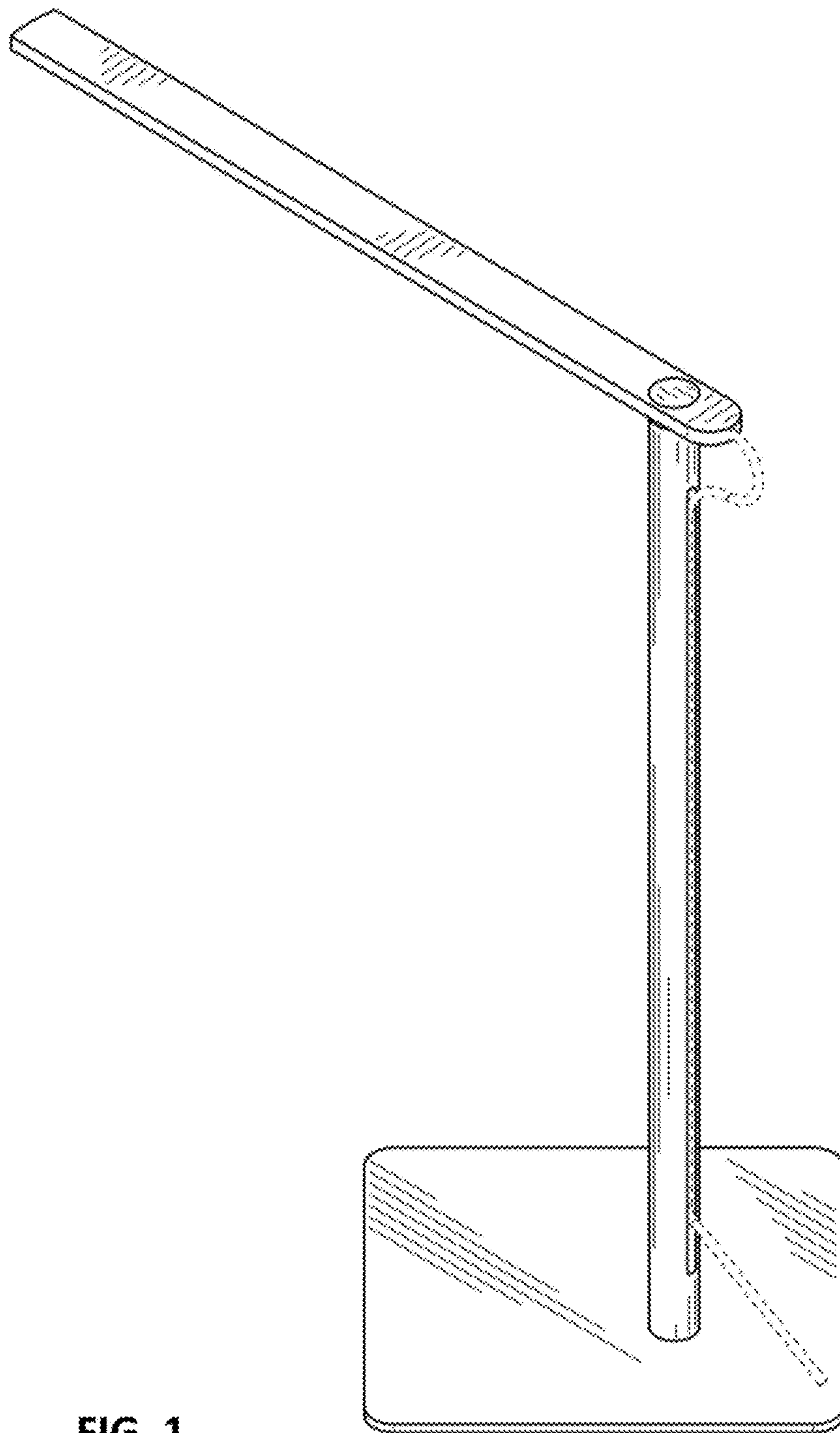


FIG. 1

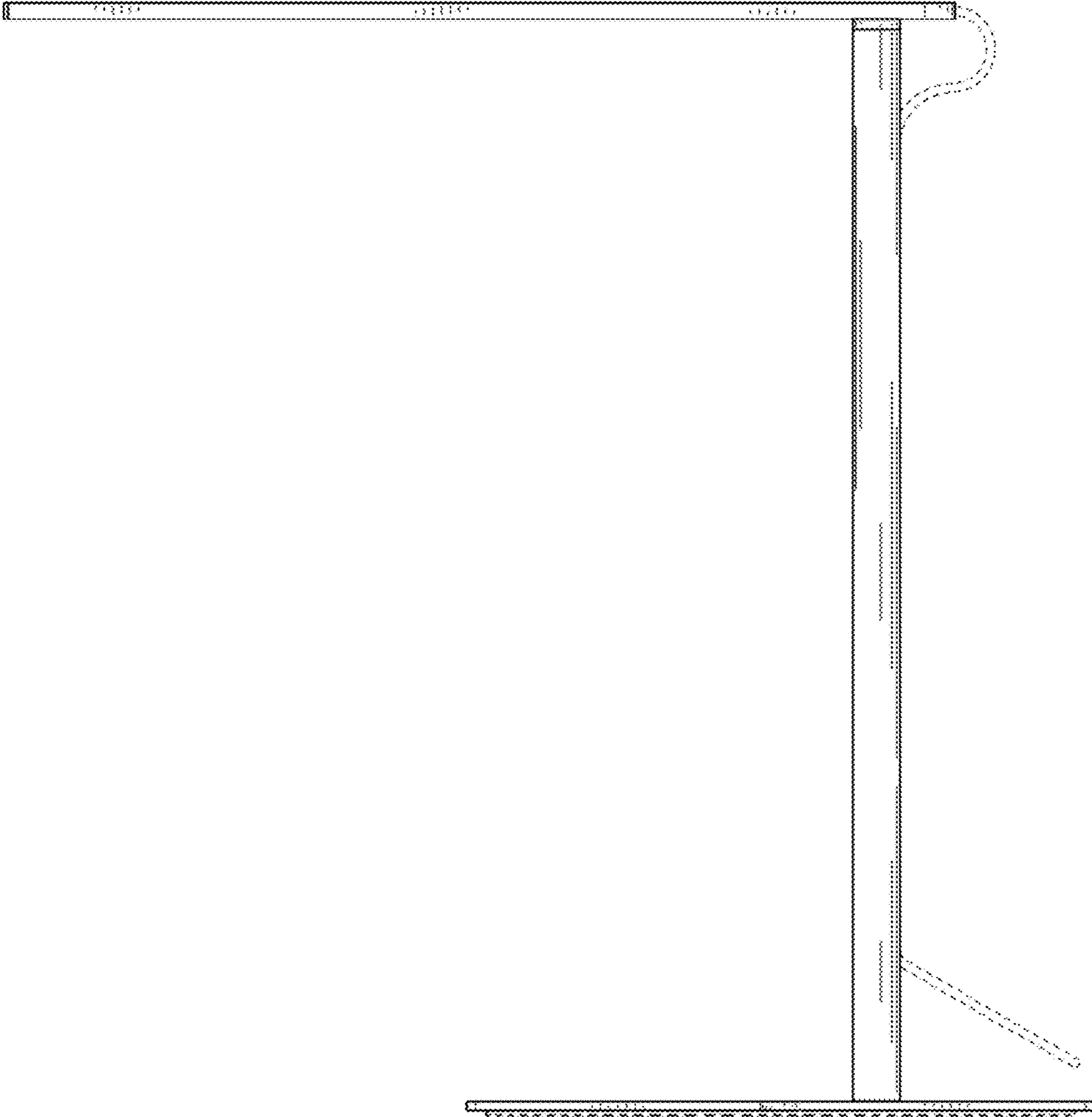


FIG. 2

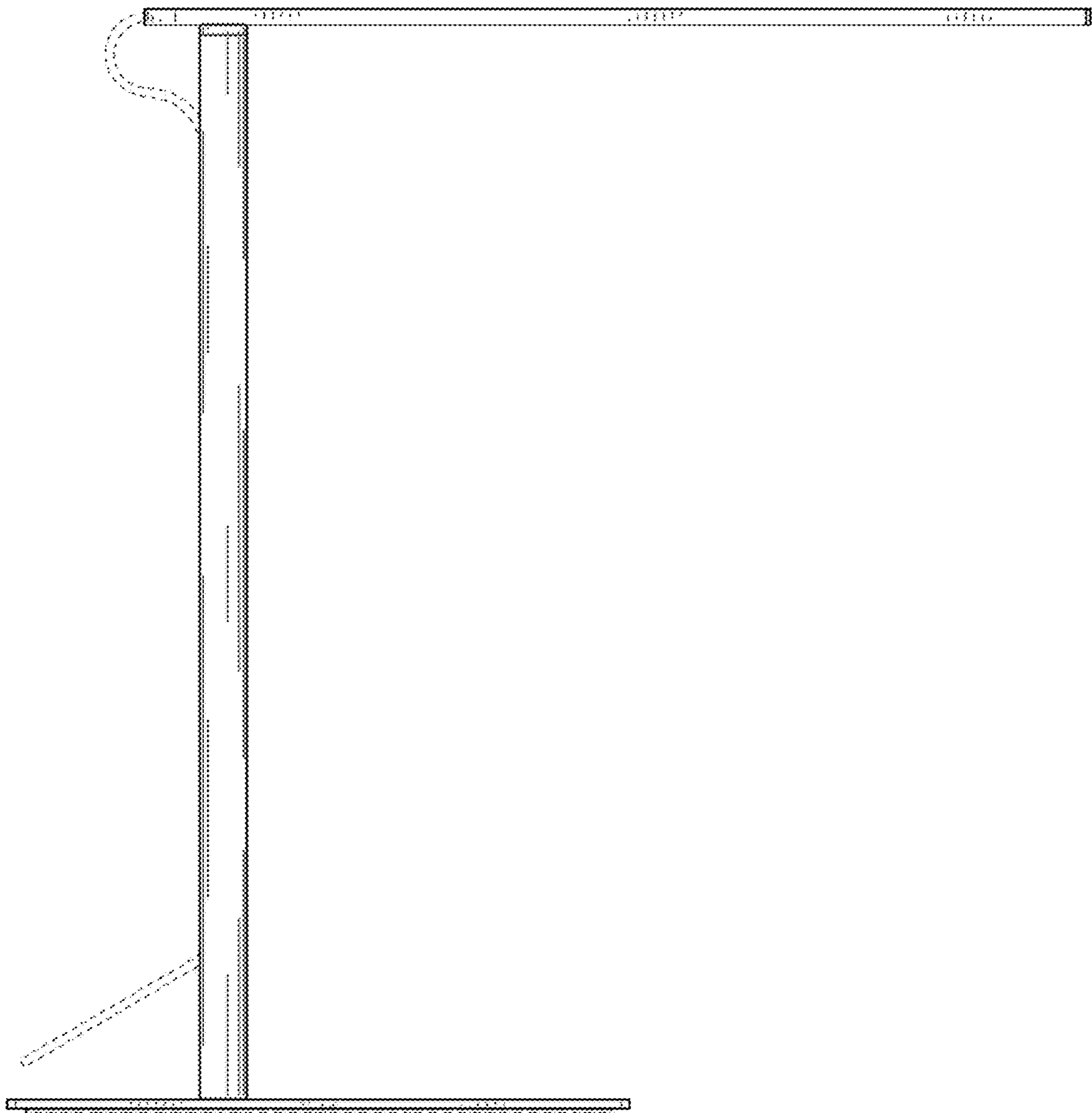


FIG. 3

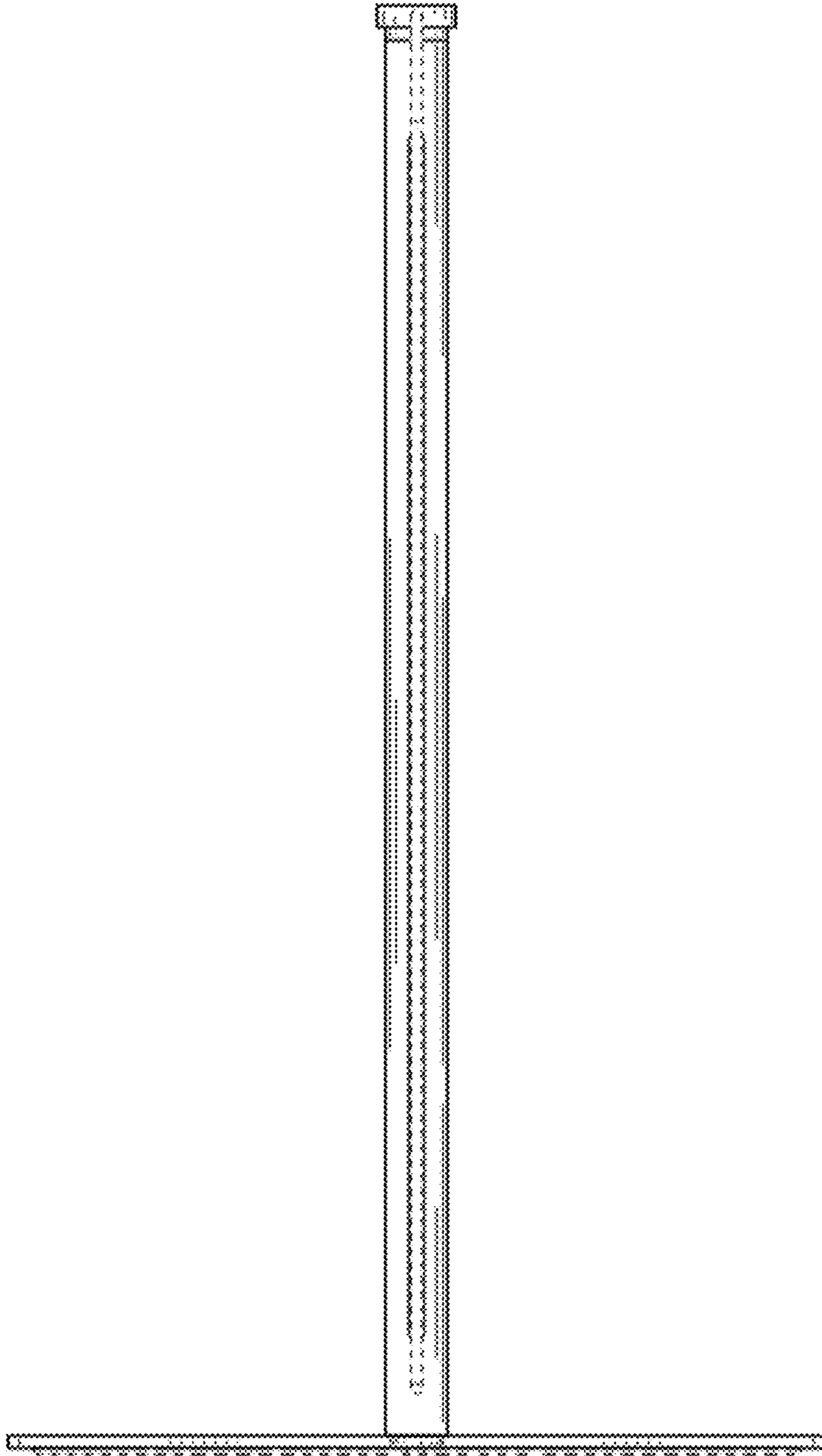


FIG. 4

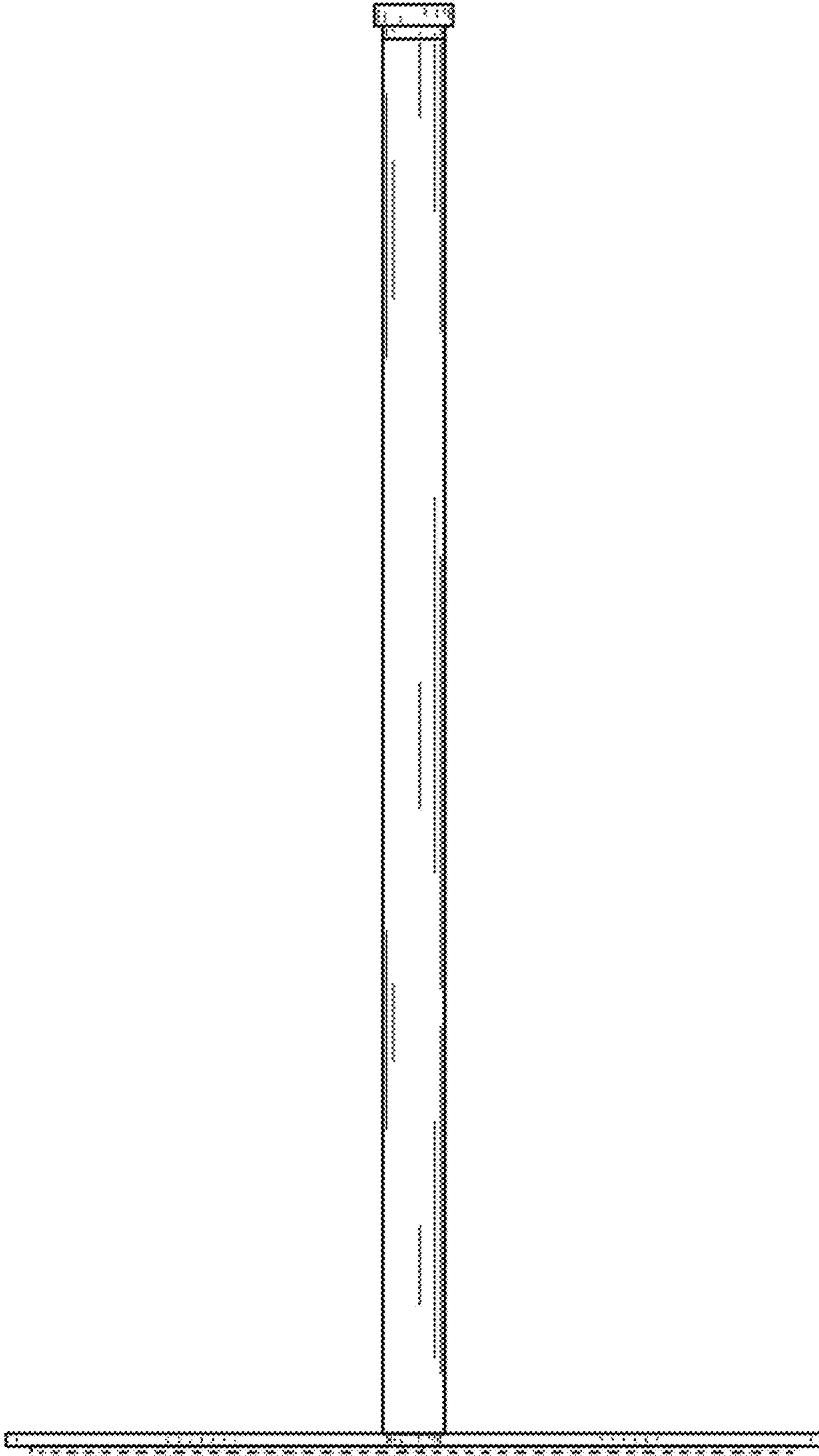


FIG. 5

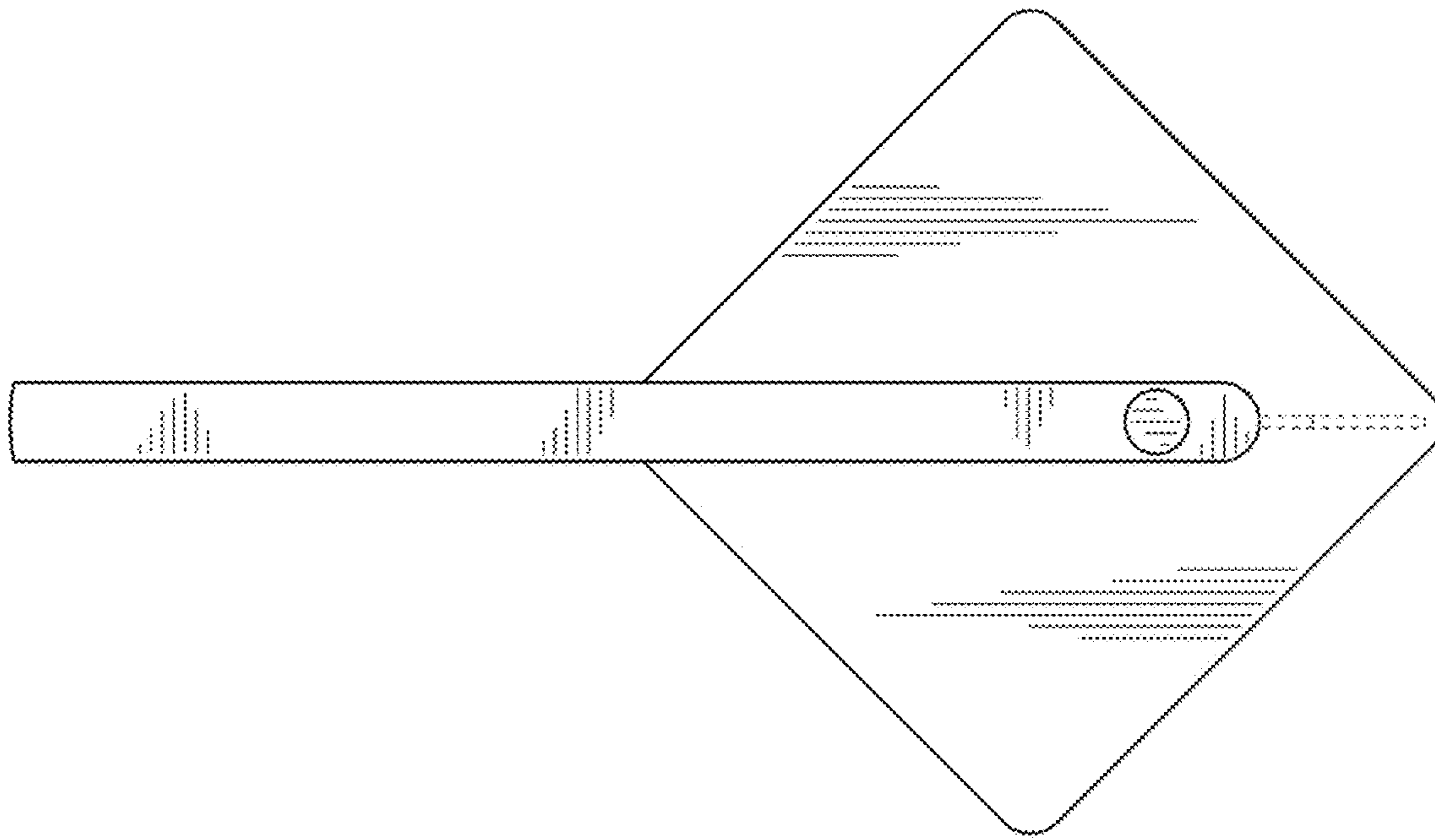


FIG. 6

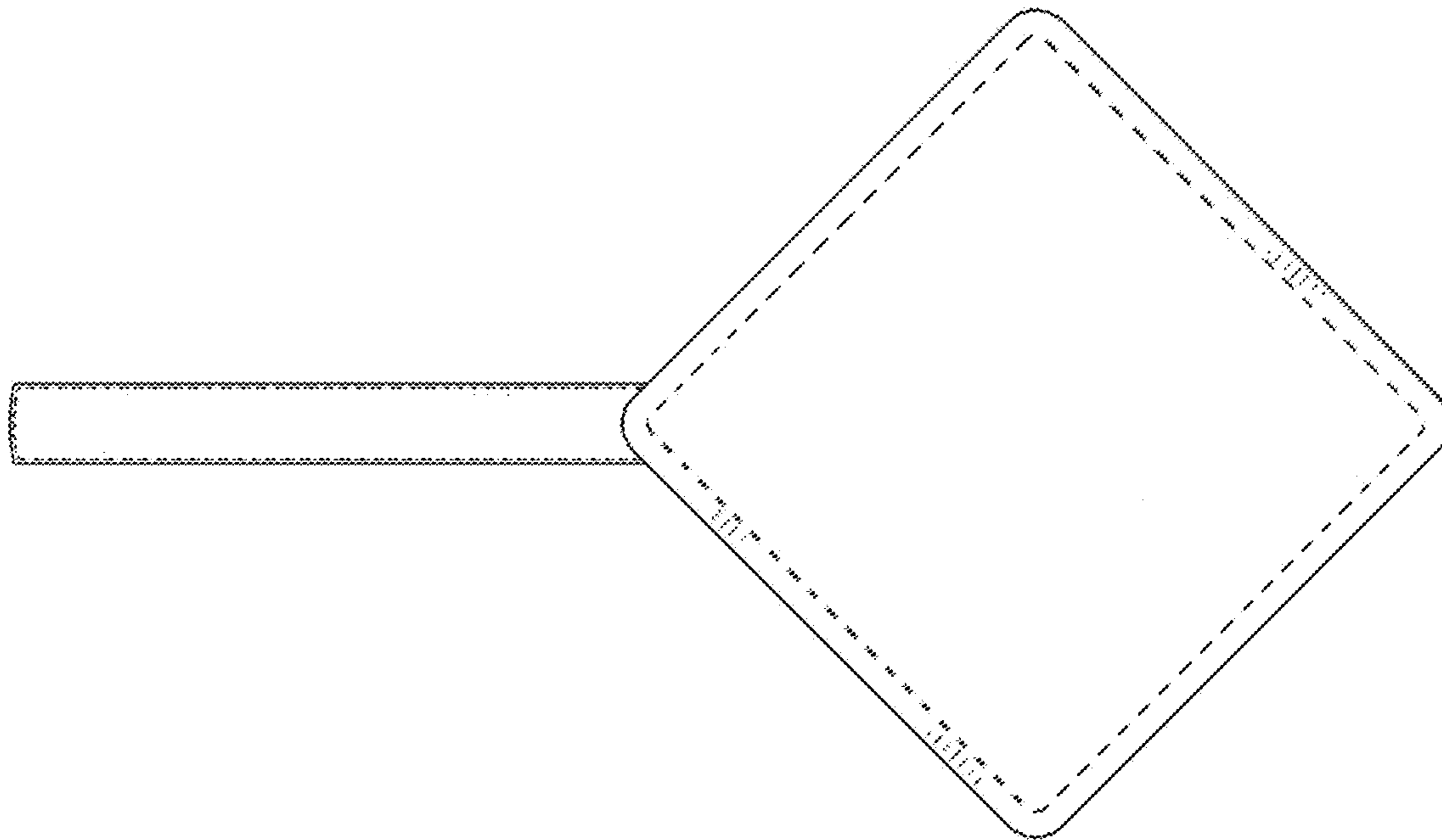


FIG. 7