



US00D840582S

(12) **United States Design Patent** (10) **Patent No.:** **US D840,582 S**
Liu (45) **Date of Patent:** **** Feb. 12, 2019**

(54) **SWIPE PUCK LIGHT**
(71) Applicant: **Yiquan Liu**, Xinzhuang (TW)
(72) Inventor: **Yiquan Liu**, Xinzhuang (TW)
(**) Term: **15 Years**
(21) Appl. No.: **29/599,347**
(22) Filed: **Apr. 2, 2017**
(51) **LOC (11) Cl.** **26-03**
(52) **U.S. Cl.**
USPC **D26/104; D26/110**
(58) **Field of Classification Search**
USPC D26/72, 80, 82, 83, 84, 85, 86, 89, 110,
D26/120, 128-137, 24, 124, 104, 37
CPC F21S 8/03; F21S 8/033; F21S 8/04; F21V
3/04; F21V 3/0418; F21V 3/0427; F21V
3/0436; F21V 3/0445; F21V 21/02; F21V
21/03; F21V 29/506; F21V 3/049; F21V
5/045; F21V 7/04; F21V 11/06
See application file for complete search history.

D607,600 S * 1/2010 Keith D26/104
D633,231 S * 2/2011 Morrison D26/24
D633,644 S * 3/2011 Sprengers D26/89
D634,053 S * 3/2011 Guercio D26/89
D647,227 S * 10/2011 Kaule D26/24
D729,970 S * 5/2015 Jepson D26/89
D759,877 S * 6/2016 Hewitt D26/89

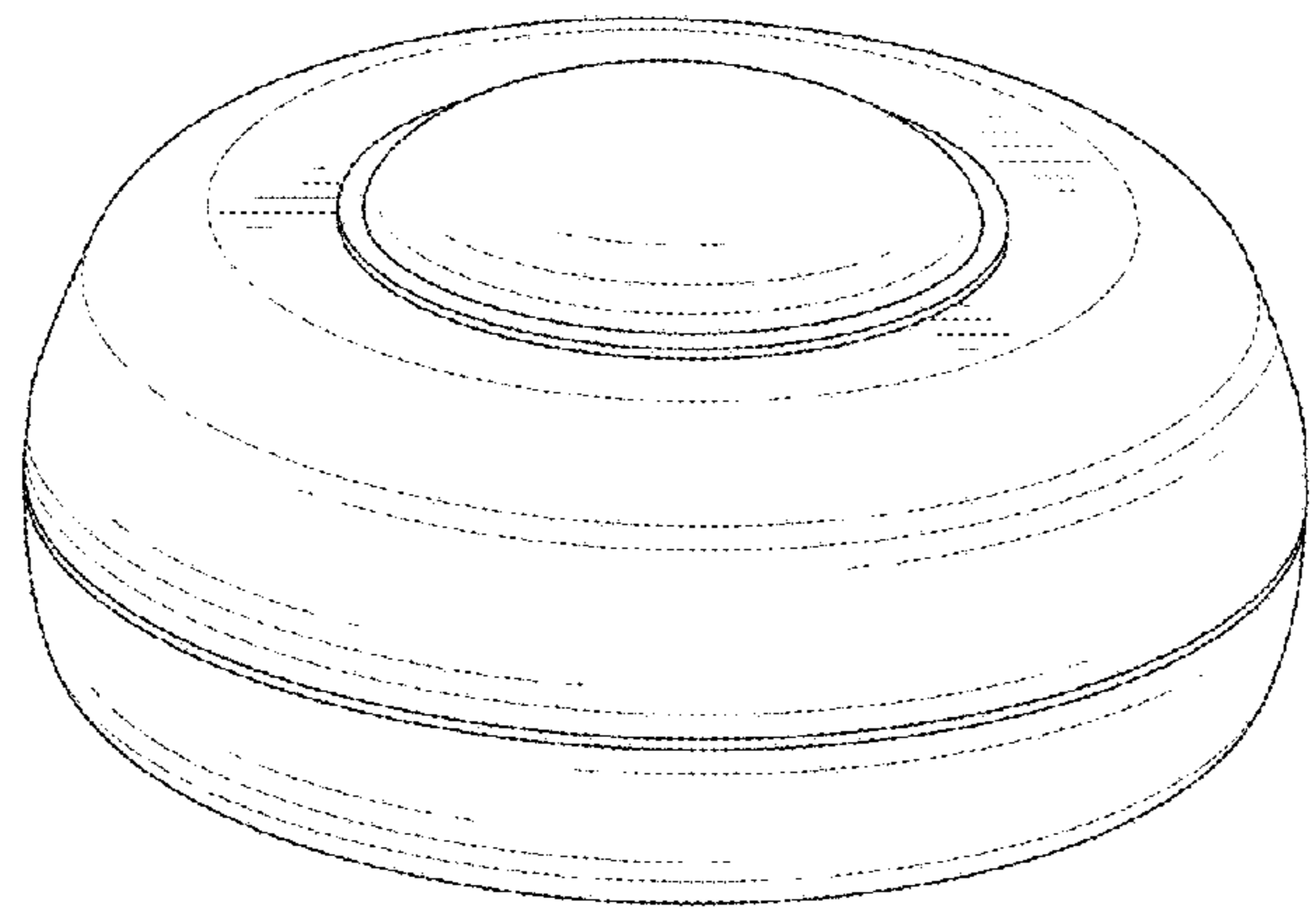
* cited by examiner
Primary Examiner — Brian N. Vinson

(56) **References Cited**
U.S. PATENT DOCUMENTS
D371,857 S * 7/1996 Gismondi D26/37
D482,484 S * 11/2003 Benghozi D26/85

(57) **CLAIM**
The ornamental design for a swipe puck light, as shown and described.

DESCRIPTION
FIG. 1 is a front elevational view of a swipe puck light showing my new design;
FIG. 2 is a top plan view thereof;
FIG. 3 is a bottom plan view thereof;
FIG. 4 is a first perspective view thereof; and,
FIG. 5 is a second perspective view thereof.

1 Claim, 5 Drawing Sheets



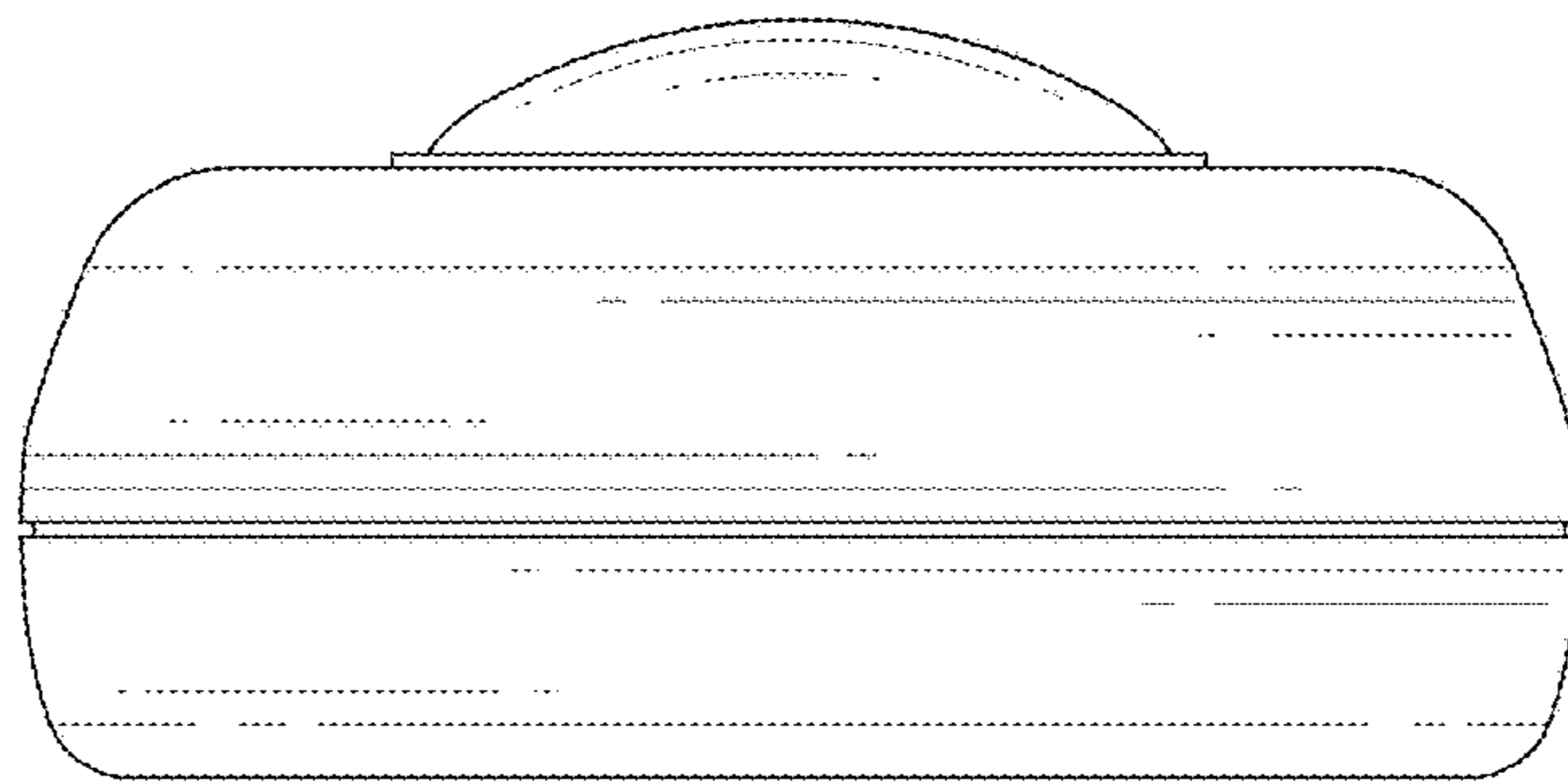


Fig. 1

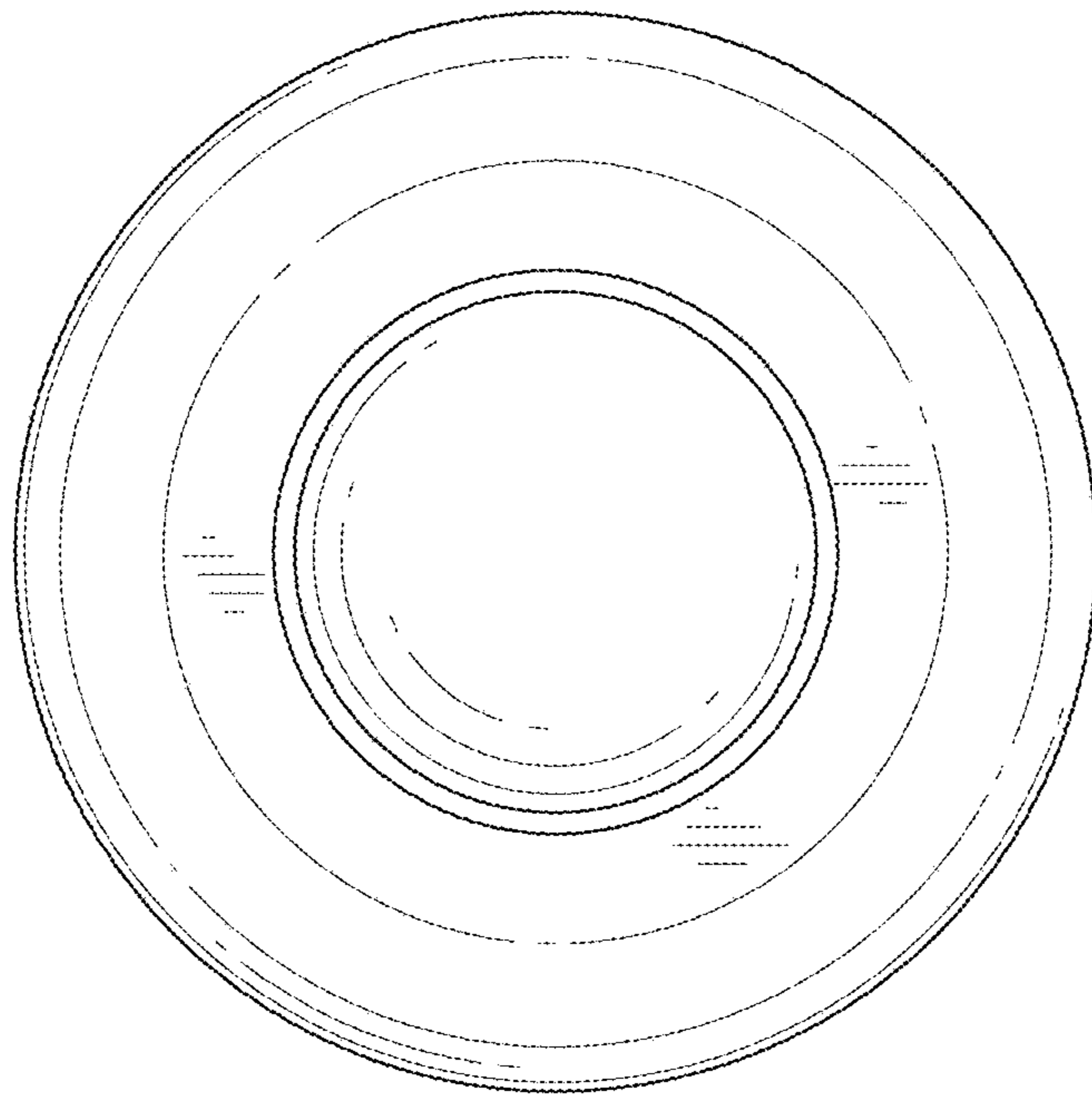


Fig. 2

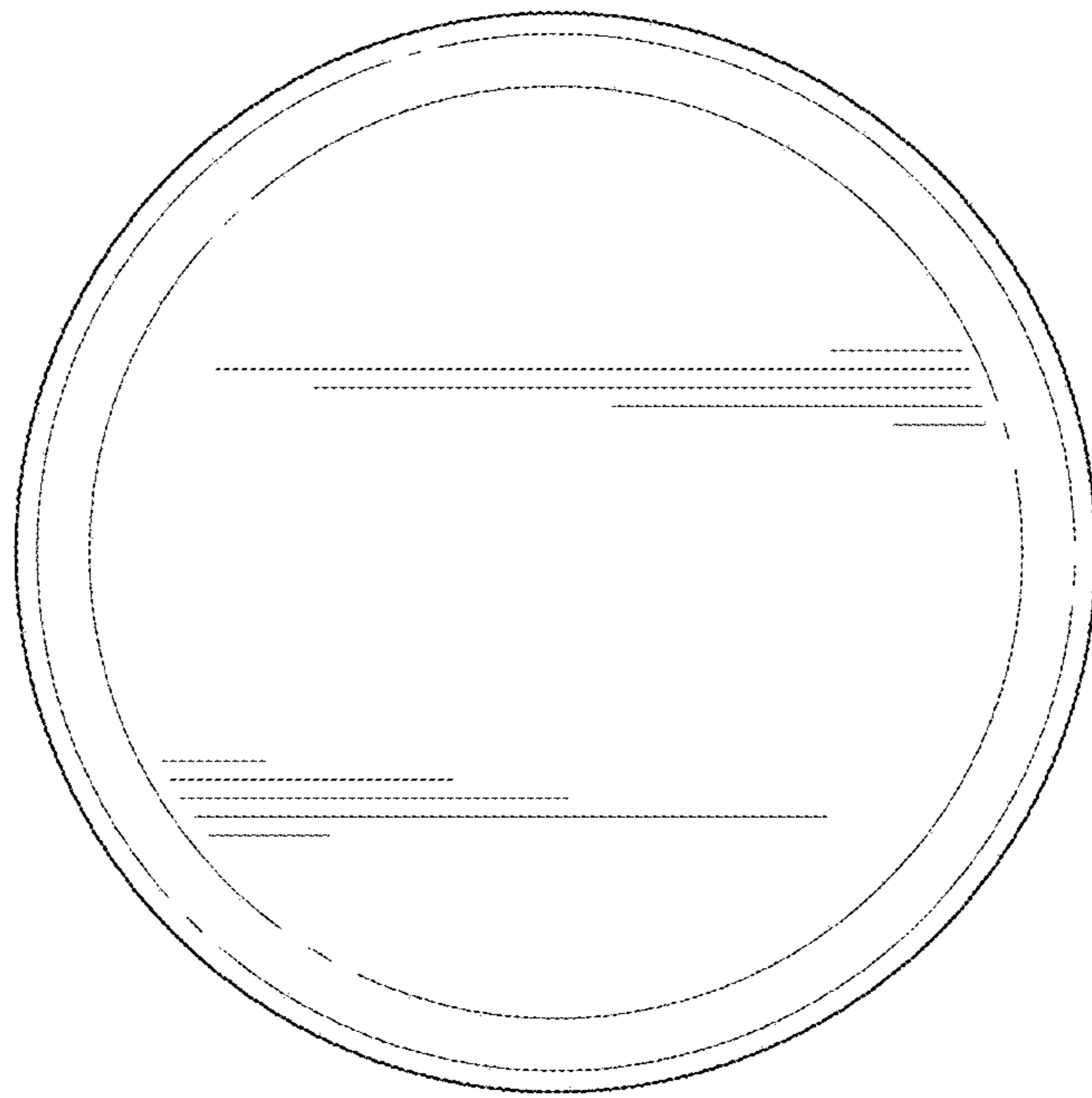


Fig. 3

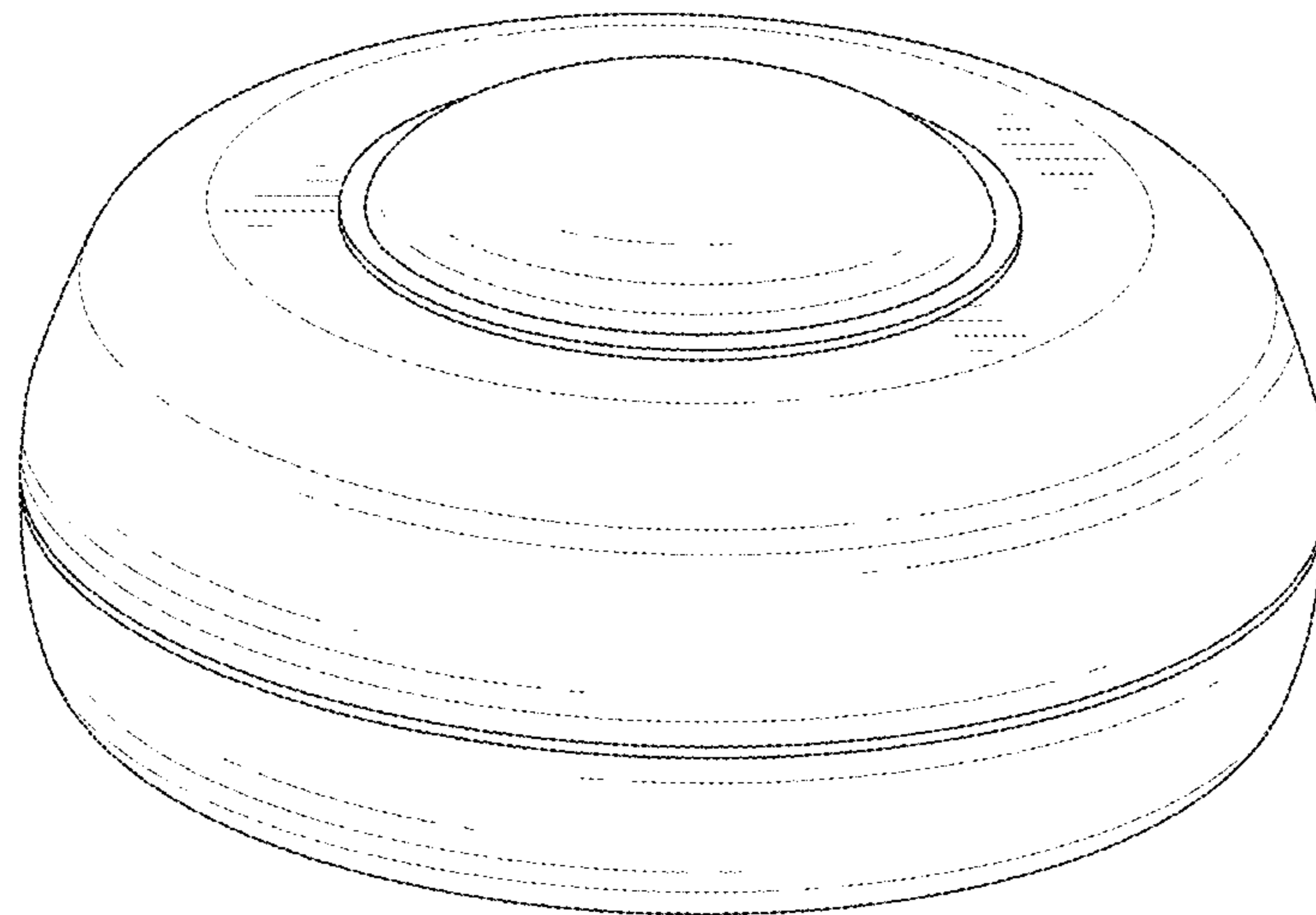


Fig. 4

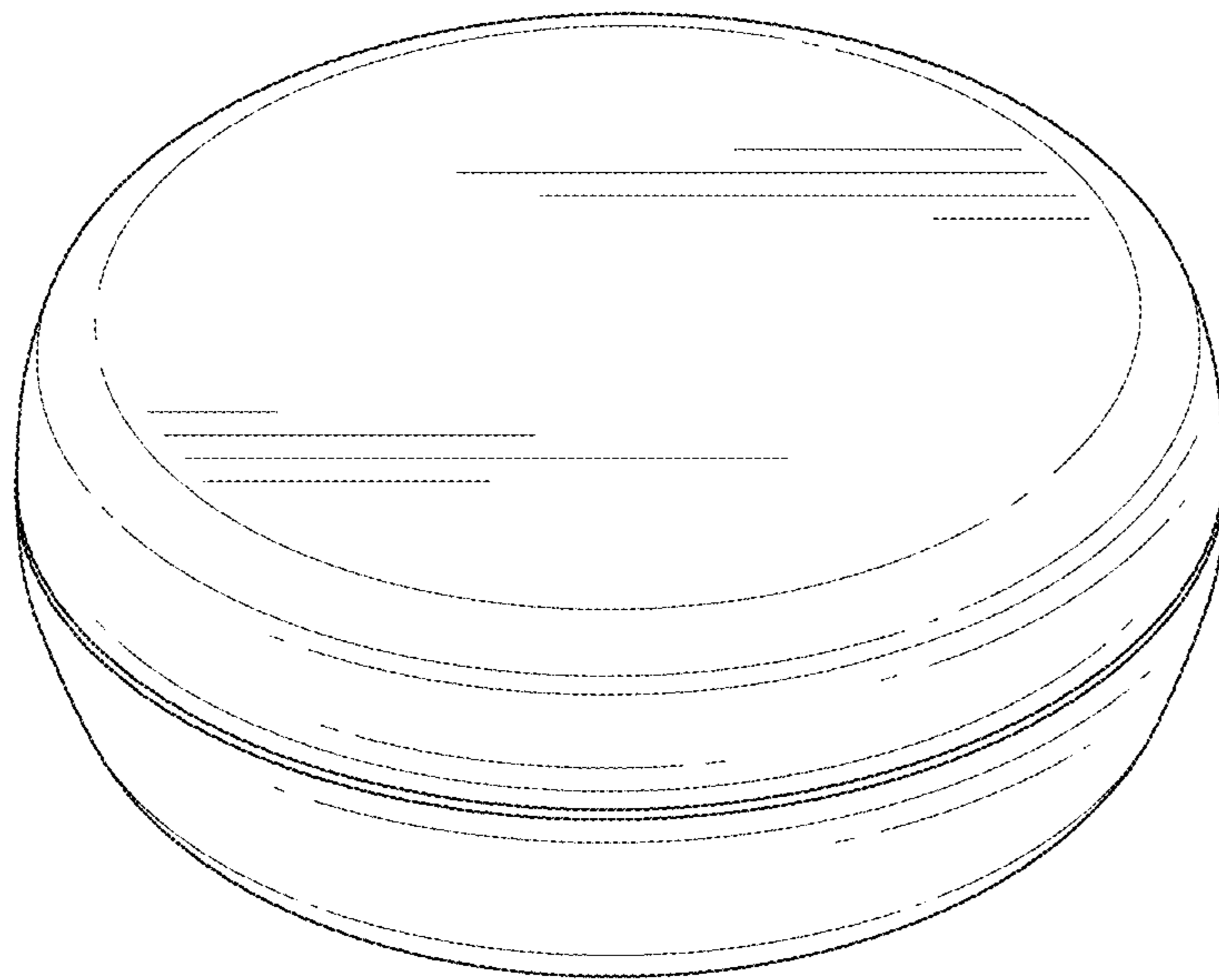


Fig. 5