



US00D840580S

(12) **United States Design Patent** (10) **Patent No.:** **US D840,580 S**  
**Huang et al.** (45) **Date of Patent:** **\*\* Feb. 12, 2019**

(54) **LIGHT**

(71) Applicant: **Shenzhen Yuegang Optical Co., Ltd.**,  
Longgang District (CN)

(72) Inventors: **Rong Huang**, Shuangfeng County  
(CN); **Jiayao Guo**, Shenzhen (CN)

(73) Assignee: **SHENZHEN YUEGANG OPTICAL  
CO., LTD.**, Shenzhen (CN)

(\*\*) Term: **15 Years**

(21) Appl. No.: **29/613,229**

(22) Filed: **Aug. 8, 2017**

(30) **Foreign Application Priority Data**

Jul. 25, 2017 (CN) ..... 2017 3 0331161

(51) **LOC (11) Cl.** ..... **26-03**

(52) **U.S. Cl.**  
USPC ..... **D26/98**

(58) **Field of Classification Search**  
USPC ..... D26/93, 98; D11/127, 131, 157, 158;  
D21/360, 576, 655  
CPC . F21S 6/002; F21W 2101/00; F21W 2121/00;  
F21W 2131/30

See application file for complete search history.

(56) **References Cited**

U.S. PATENT DOCUMENTS

D66,081 S *	11/1924	Heath	.....	D26/98
D523,492 S *	6/2006	Saruhashi	.....	D21/576
D683,491 S *	5/2013	Gold	.....	D26/98
D683,889 S *	6/2013	Tyler	.....	D26/98
D785,102 S *	4/2017	Ruffin, Jr.	.....	D21/655

\* cited by examiner

*Primary Examiner* — Brian N. Vinson

(74) *Attorney, Agent, or Firm* — Gokalp Bayramoglu

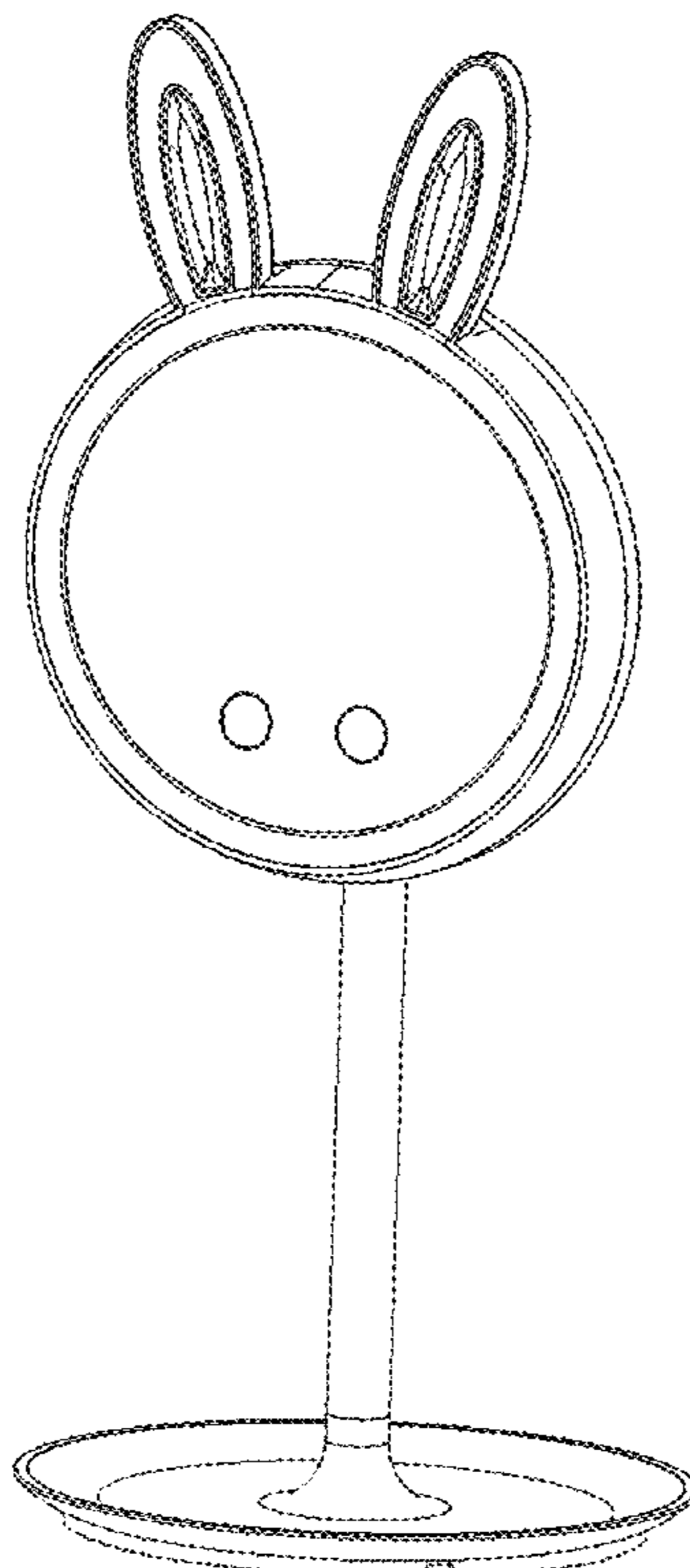
(57) **CLAIM**

The ornamental design for a light, as shown and described.

**DESCRIPTION**

FIG. 1 is a front view of a light showing our new design;  
 FIG. 2 is a back view thereof;  
 FIG. 3 is a left side view thereof;  
 FIG. 4 is a right side view thereof;  
 FIG. 5 is a top view thereof;  
 FIG. 6 is an bottom view thereof; and,  
 FIG. 7 is a from perspective view thereof.  
 Broken lines depict portions of the light that form no part of  
 the claimed design.

**1 Claim, 7 Drawing Sheets**



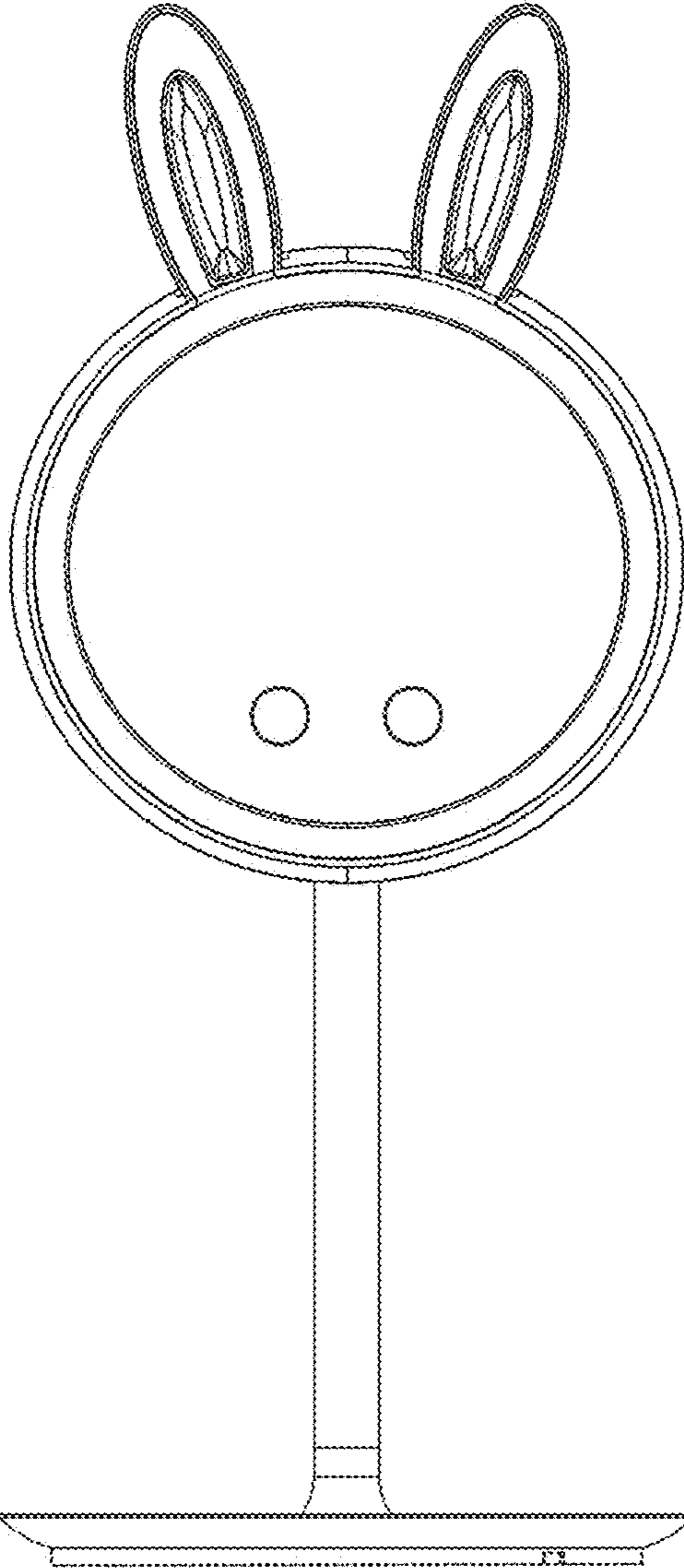


FIG. 1

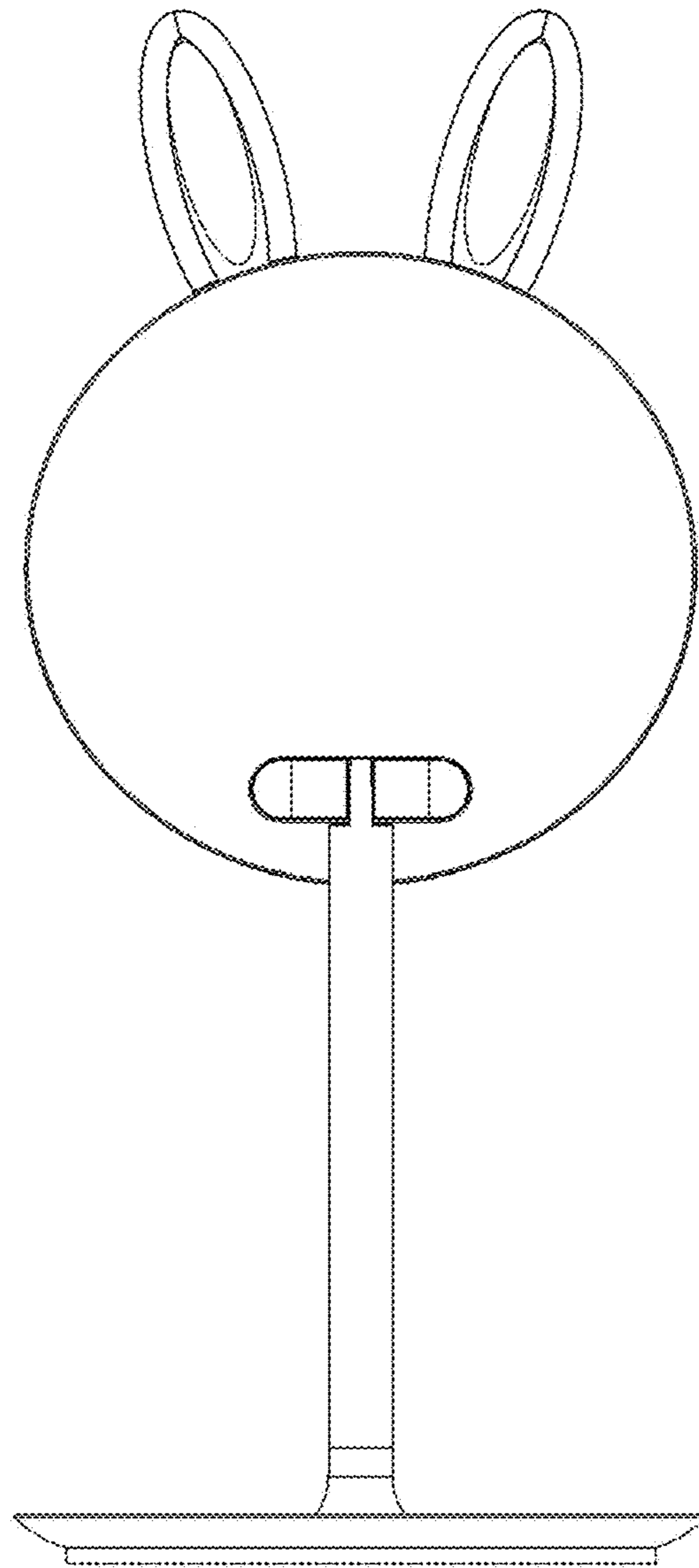


FIG. 2

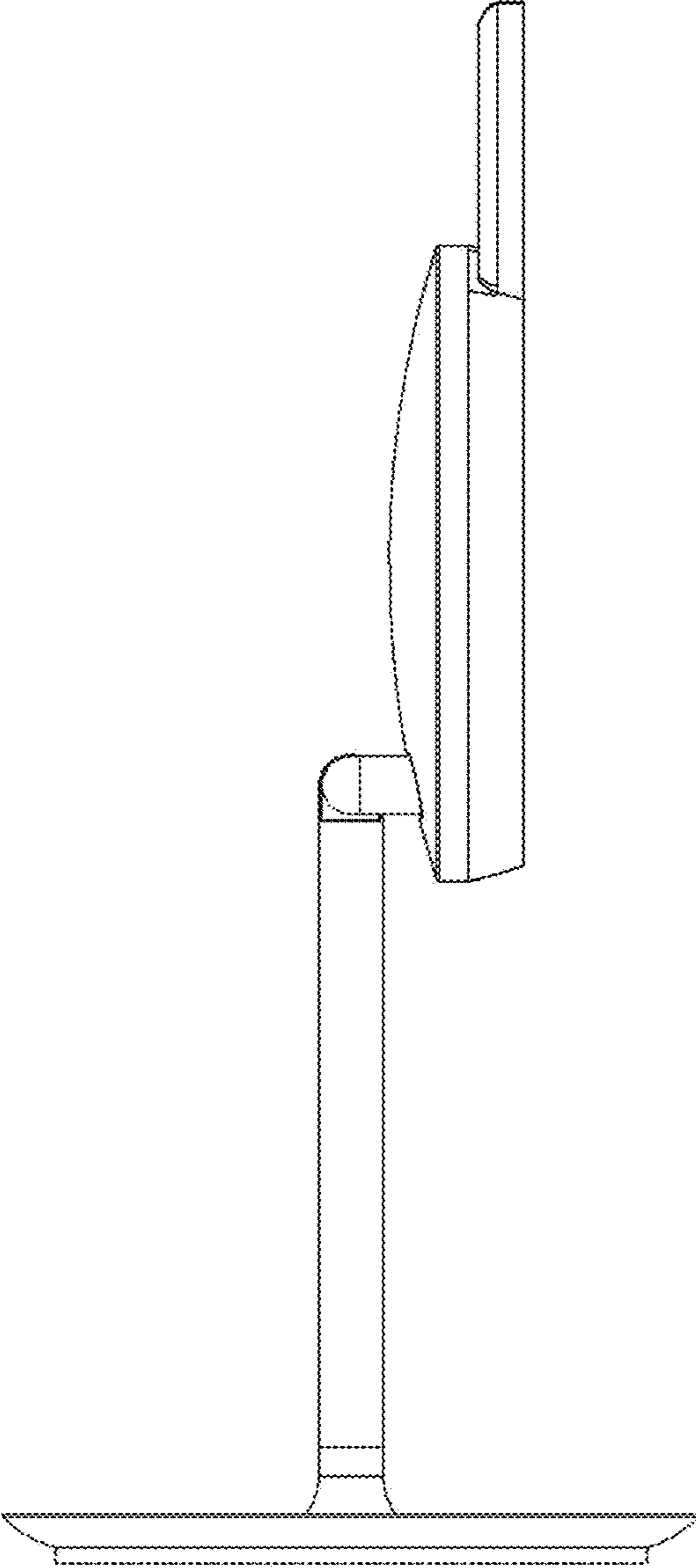


FIG. 3

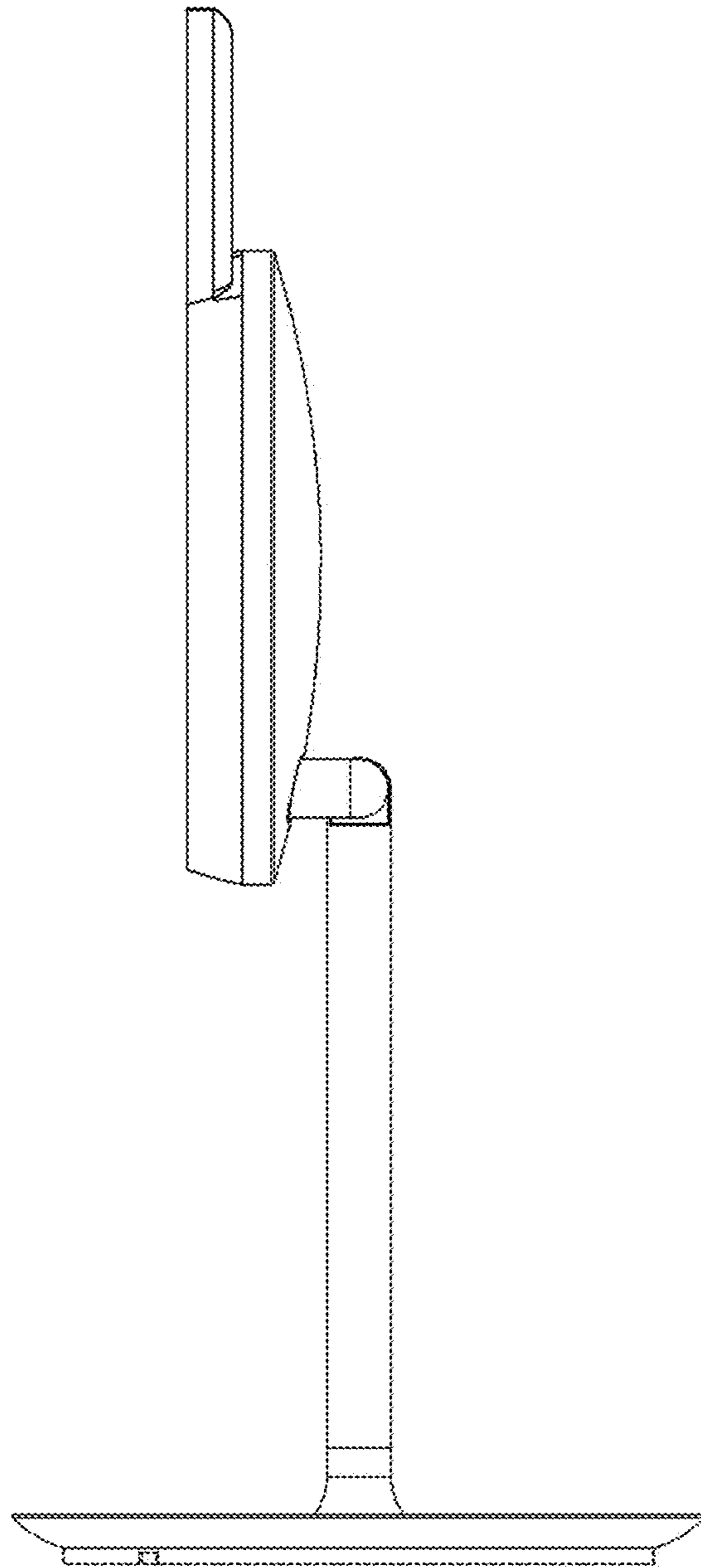


FIG. 4

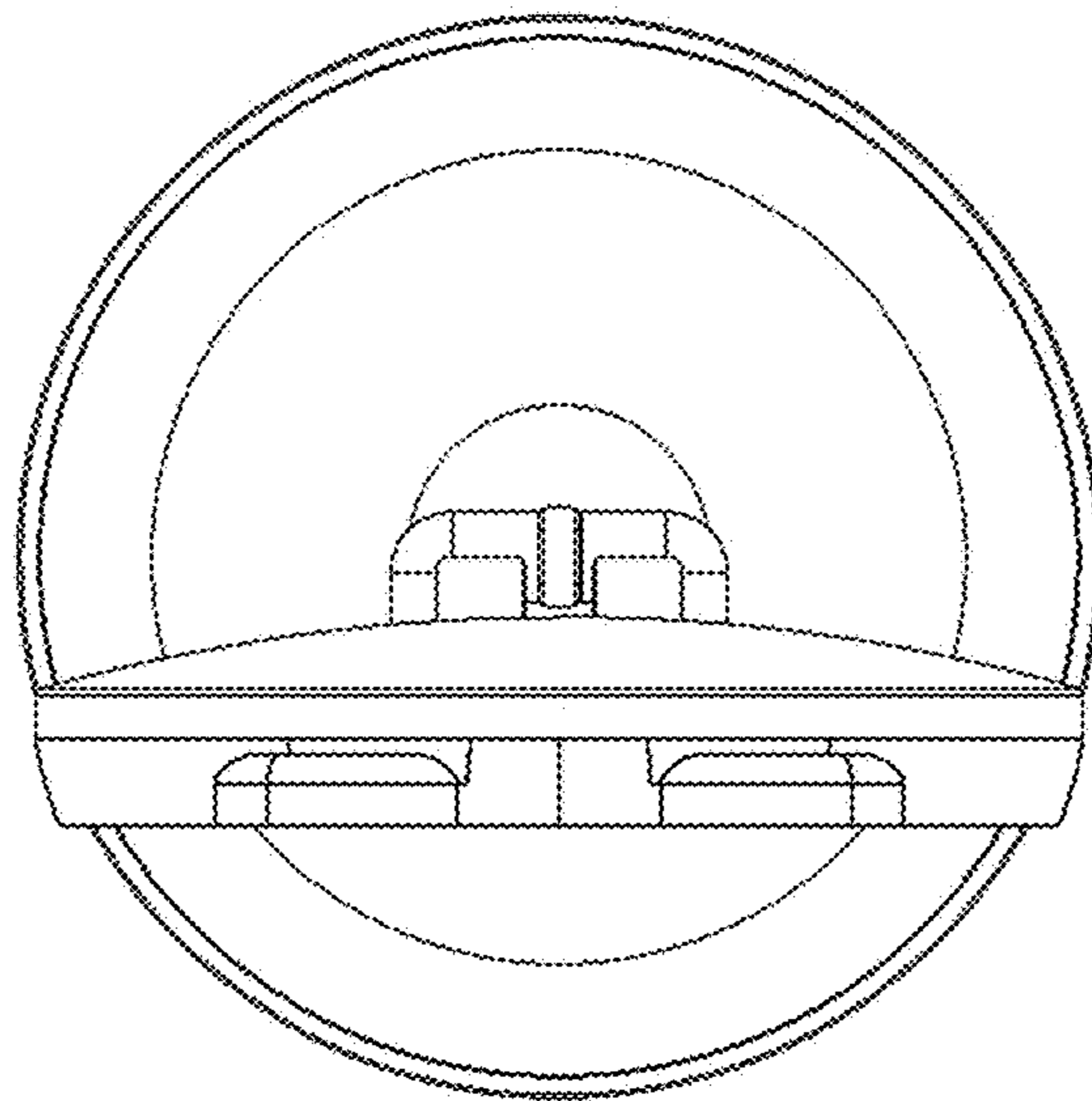


FIG. 5

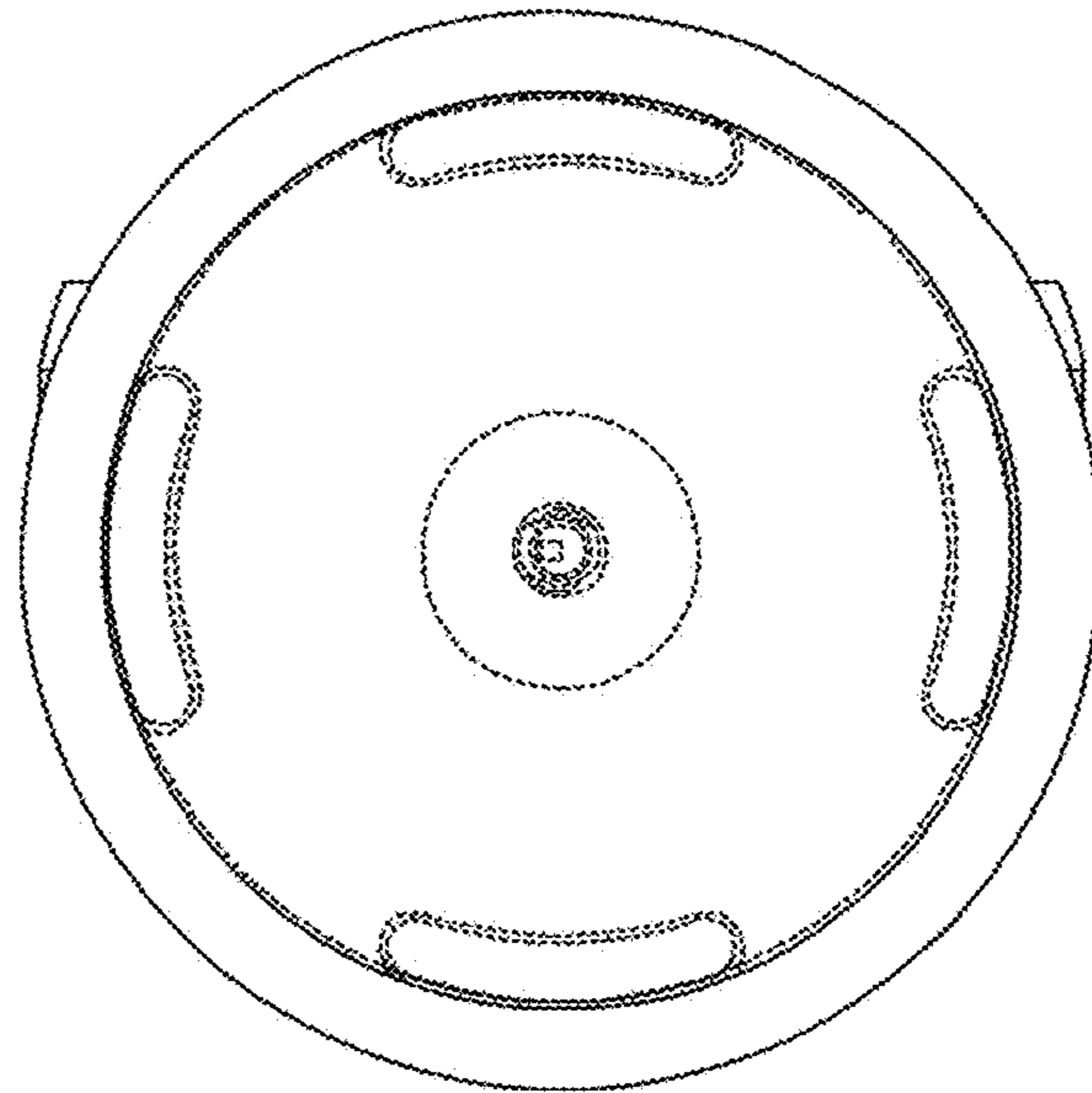


FIG. 6

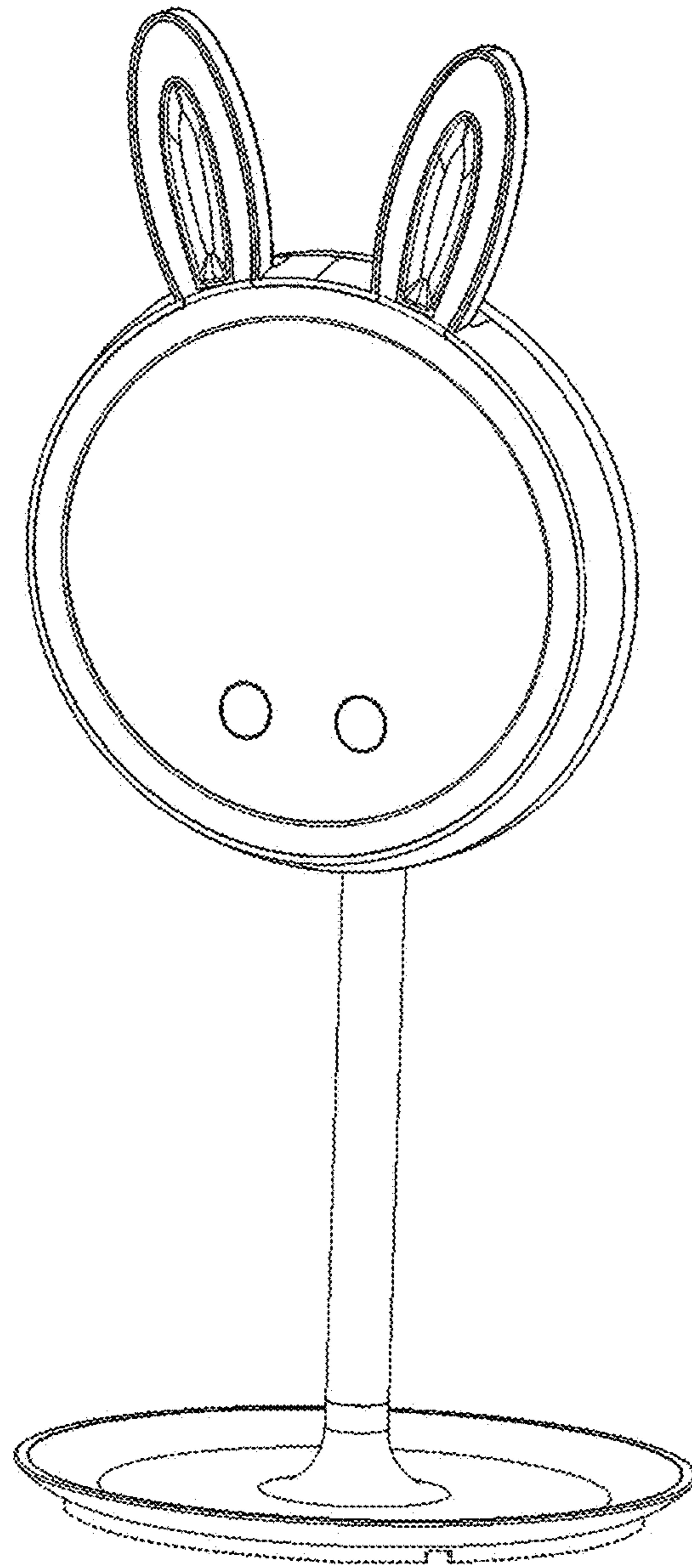


FIG. 7