



US00D840576S

(12) **United States Design Patent** (10) **Patent No.:** **US D840,576 S**
Gaynor (45) **Date of Patent:** **** *Feb. 12, 2019**

(54) **LIGHTING FIXTURE**

(71) Applicant: **Boyd Lighting Fixture Company,**
Sausalito, CA (US)

(72) Inventor: **Mark A. Gaynor,** San Francisco, CA
(US)

(73) Assignee: **Boyd Lighting Fixture Company,**
Sausalito, CA (US)

(*) Notice: This patent is subject to a terminal disclaimer.

(**) Term: **15 Years**

(21) Appl. No.: **29/612,021**

(22) Filed: **Jul. 27, 2017**

(51) **LOC (11) Cl.** **26-05**

(52) **U.S. Cl.**
USPC **D26/74**

(58) **Field of Classification Search**
USPC D26/72, 74, 79, 85-89

(Continued)

(56) **References Cited**

U.S. PATENT DOCUMENTS

D185,410 S * 6/1959 Bodian et al. D26/76
D247,562 S 3/1978 Walker

(Continued)

OTHER PUBLICATIONS

Sunbeam Sconce Fixture, "Boyd Lighting; Family Owned Lighting Design Firm", by Mark McDonough, Oct. 21, 2016, site visited Jul. 2, 2018, available online at <https://tastefullyinspired.com/welcoming-a-new-lighting-designer-boyd-lighting/> (Year: 2016).*

(Continued)

Primary Examiner — Cathron C Brooks

(74) *Attorney, Agent, or Firm* — Heslin Rothenberg Farley & Mesiti P.C.

(57) **CLAIM**

The ornamental design for a lighting fixture, as shown and described.

DESCRIPTION

This application contains subject matter which is related to the subject matter of concurrently filed U.S. Design patent application Ser. No. 29/612,023, entitled "Recessed Lighting Fixture" by Mark A. Gaynor; U.S. Design patent application Ser. No. 29/612,024, entitled "Lighting Fixture Having an Illumination Effect" by Mark A. Gaynor, which applications are hereby incorporated in their entirety herein by reference.

FIG. 1 is a right perspective view of a lighting fixture according to a first embodiment of the new design;

FIG. 2 is a left perspective view thereof;

FIG. 3 is a front elevational view thereof;

FIG. 4 is a right side elevational view thereof;

FIG. 5 is a left side elevational view thereof;

FIG. 6 is a top view thereof;

FIG. 7 is a bottom view thereof;

FIG. 8 is an enlarged view of detail 8 of FIG. 1;

FIG. 9 is an enlarged view of detail 9 of FIG. 2;

FIG. 10 is an enlarged cross-sectional view taken along line 10-10 of FIG. 3;

FIG. 11 is a front elevational view of a second embodiment of the lighting fixture according to the new design in which the sole difference between this embodiment and the first embodiment is the symbolic break lines shown in the figure;

FIG. 12 is a right perspective view of a third embodiment of the lighting fixture according to the new design in which the stipple shading indicates a contrasting appearance;

FIG. 13 is a left perspective view thereof;

FIG. 14 is a front elevational view thereof;

FIG. 15 is a right side elevational view thereof;

FIG. 16 is a left side elevational view thereof;

FIG. 17 is a top view thereof;

FIG. 18 is a bottom view thereof;

FIG. 19 is an enlarged view of detail 19 of FIG. 12;

FIG. 20 is an enlarged view of detail 20 of FIG. 13;

(Continued)

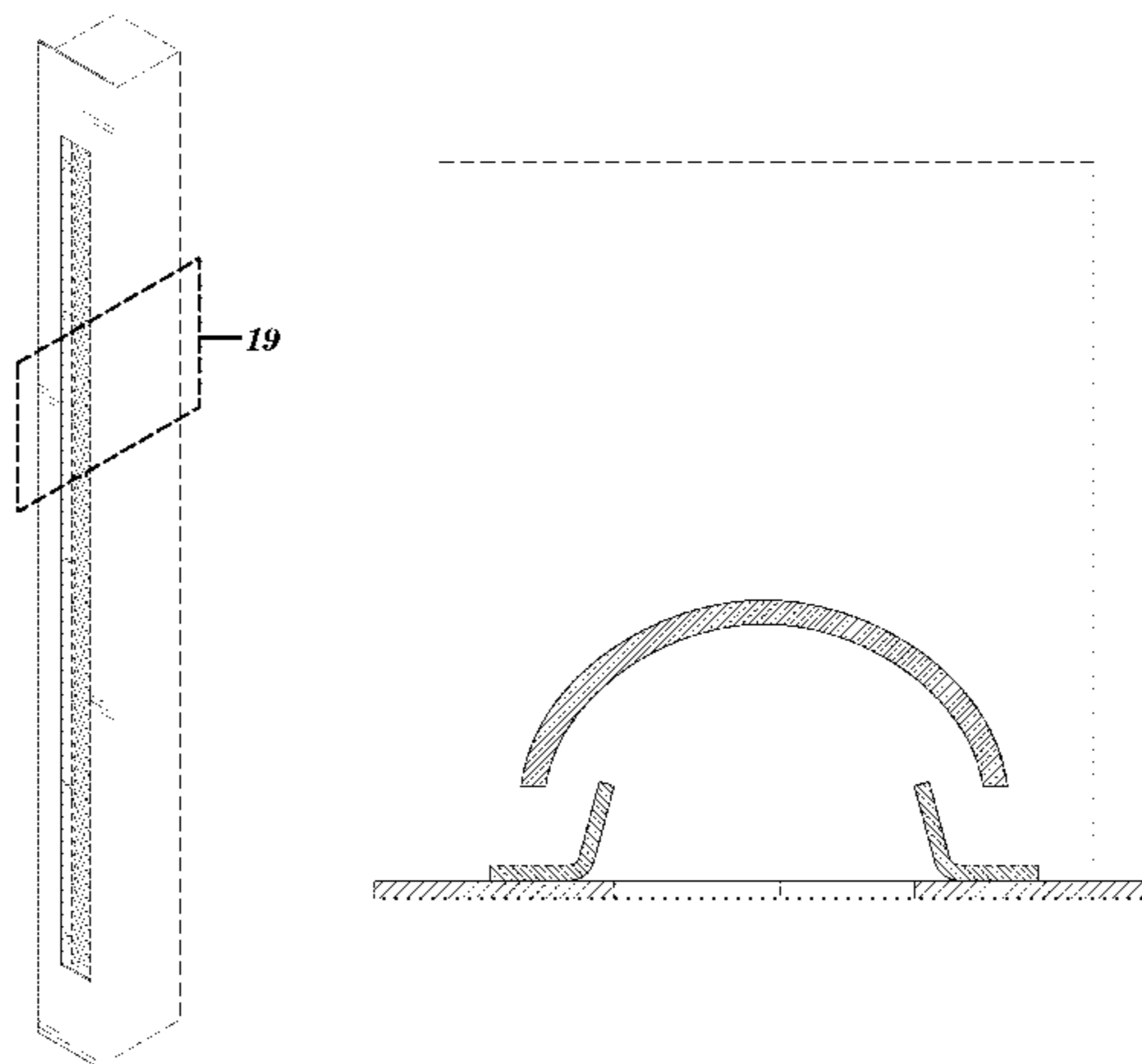


FIG. 21 is an enlarged cross-sectional view taken along line 21-21 of FIG. 14; and,

FIG. 22 is a front elevational view of a fourth embodiment of the lighting fixture according to the new design in which the sole difference between this embodiment and the third embodiment is the symbolic break lines shown in the figure. The cross-section of the lighting fixture in FIG. 10 corresponds to cross-sections along the length of the opening in the lighting fixture shown in FIG. 3.

The cross-section of the lighting fixture in FIG. 21 corresponds to cross-sections along the length of the opening in the lighting fixture shown in FIG. 14.

FIGS. 11 and 22 are shown with symbolic break lines through the lighting fixture. The appearance of any portion of the article between the break lines forms no part of the claimed design.

The broken lines in the drawing disclosure illustrate portions of the lighting fixture that form no part of the claimed design.

1 Claim, 10 Drawing Sheets

(58) Field of Classification Search

CPC F21V 21/02; F21V 21/04; F21V 21/042; F21V 21/044; F21V 21/047; F21V 29/00; F21V 29/74-29/76; F21S 8/00; F21S 8/02; F21S 8/026; F21S 8/033

See application file for complete search history.

(56)

References Cited

U.S. PATENT DOCUMENTS

D354,579 S	1/1995	Chan	
D382,663 S	8/1997	Barry	
D394,726 S	5/1998	Crosby	
D402,074 S	12/1998	Crosby	
D403,796 S	1/1999	Crosby	
D407,521 S	3/1999	Crosby	
D441,119 S	4/2001	Crosby	
D454,971 S	3/2002	Crosby	
D455,223 S	4/2002	Crosby	
D456,550 S	4/2002	Clodagh	
D456,932 S	5/2002	Crosby	
D459,525 S	6/2002	Barry	
D475,802 S	6/2003	Homann	
D494,305 S	8/2004	Crosby	
D503,241 S	3/2005	Crosby	
D532,146 S	11/2006	Crosby	
D536,468 S	2/2007	Crosby	
D536,820 S	2/2007	Crosby	
D550,885 S	9/2007	Crosby	
D558,912 S	1/2008	Crosby	
D576,767 S	9/2008	Gutkin	
D584,848 S *	1/2009	Menke	D26/76
D599,951 S	9/2009	Pickard	
D606,227 S *	12/2009	Erickson	D26/72
D608,933 S *	1/2010	Castelli	D26/76
D632,003 S	2/2011	Jordan	
D633,644 S	3/2011	Sprengers	
D646,424 S	10/2011	Ho	

D646,425 S	10/2011	Crosby	
D646,426 S	10/2011	Wolk	
D658,327 S	4/2012	Meise	
D663,467 S *	7/2012	Apetauer	D26/74
D663,468 S *	7/2012	Apetauer	D26/74
D674,952 S	1/2013	Crosby	
D675,362 S *	1/2013	Apetauer	D26/74
D675,363 S *	1/2013	Apetauer	D26/74
D681,863 S	5/2013	Chen	
D682,455 S	5/2013	Apetauer	
D684,288 S	6/2013	Gielen	
D690,869 S *	10/2013	Katz	D26/74
D712,083 S	8/2014	Crosby	
D712,963 S	9/2014	Fleet	
D717,485 S	11/2014	Lovegrove	
D718,484 S	11/2014	Eberle	
D724,775 S	3/2015	van Dijk	
D731,689 S	6/2015	Bernard	
D759,873 S	6/2016	Saaranen	
D762,906 S	8/2016	Jeswani	
D768,327 S	10/2016	Guzzini	
D768,903 S	10/2016	Guzzini	
D769,501 S	10/2016	Jeswani	
D769,504 S	10/2016	Jeswani	
D772,466 S	11/2016	Zhang	
D777,966 S	1/2017	Jeswani	
2015/0085476 A1 *	3/2015	Mandy	F21S 8/026 362/147
2016/0375161 A1	12/2016	Hawkins et al.	
2017/0167672 A1	6/2017	Stauner	
2017/0303363 A1	10/2017	Pyshos	
2018/0116029 A1	4/2018	Pyshos	

OTHER PUBLICATIONS

James Turrell Work Type, printed from the Internet Aug. 8, 2017, <https://web.archive.org/web/20151122034440/http://jamesturrell.com:80/work/type/>, 4 pages, Nov. 22, 2016.

James Turrell Veils, printed from the Internet Aug. 8, 2017, <https://web.archive.org/web/20151218144150/http://jamesturrell.com:80/work/type/veils/>, 2 pages, Dec. 18, 2015.

How to Pick Recessed Lighting, YDesign Group, LLC, printed from the Internet Aug. 8, 2017, 3 pages, May 22, 2010.

Doyle Crosby, design U.S. Appl. No. 29/612,019, entitled Recessed Lighting Fixture, filed Jul. 27, 2017, 16-pages.

Doyle Crosby, design U.S. Appl. No. 29/612,020, entitled Lighting Fixture Having an Illumination Effect, filed Jul. 27, 2017, 27-pages.

Doyle Crosby, design U.S. Appl. No. 29/612,018, entitled Lighting Fixture, filed Jul. 27, 2017, 13-pages.

Doyle Crosby et al., U.S. Appl. No. 62/537,766, entitled Lighting Fixtures Having an Illumination Effect, filed Jul. 27, 2017, 43-pages.

Mark A. Gaynor, design U.S. Appl. No. 29/612,023, entitled Recessed Lighting Fixture, filed Jul. 27, 2017, 17-pages.

Mark A. Gaynor, design U.S. Appl. No. 29/612,024, entitled Lighting Fixture Having An Illumination Effect, filed Jul. 27, 2017, 15-pages.

Portal Sconce, contractdesign.com, Oct. 5, 2017, site visited Jun. 29, 2018, available online at <https://www.contractdesign.com/products/lighting-architectural/boyd-lighting-portal/> (Year 2017).

Portal Sconce, "Boyd Lighting: Family Owned Lighting Design Firm", Tastefully Inspired, tastefullyinspired.com, Oct. 21, 2016, site visited Jun. 21, 2018, available online at <https://tastefullyinspired.com/welcoming-a-new-lighting-designer-boyd-lighting/> (Year: 2016).

* cited by examiner

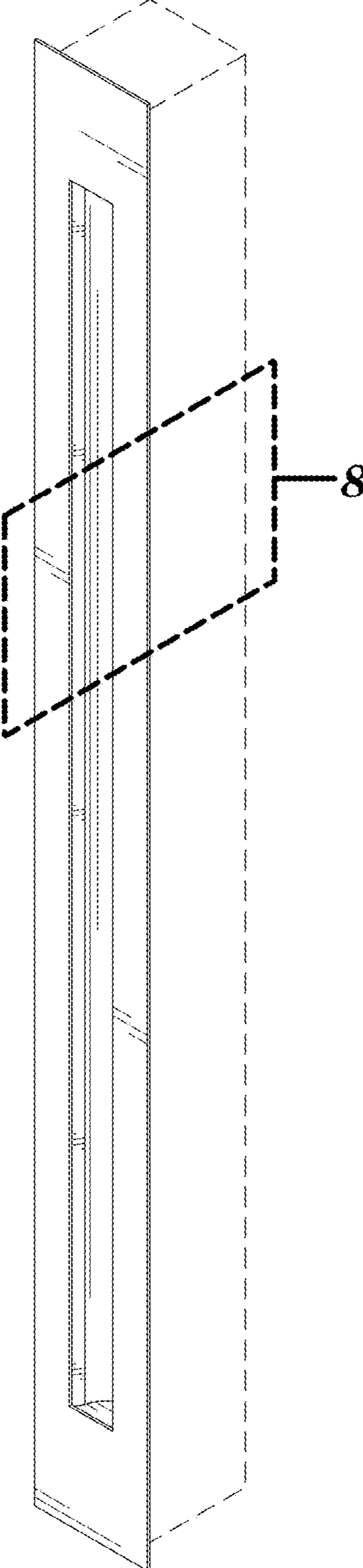


FIG. 1

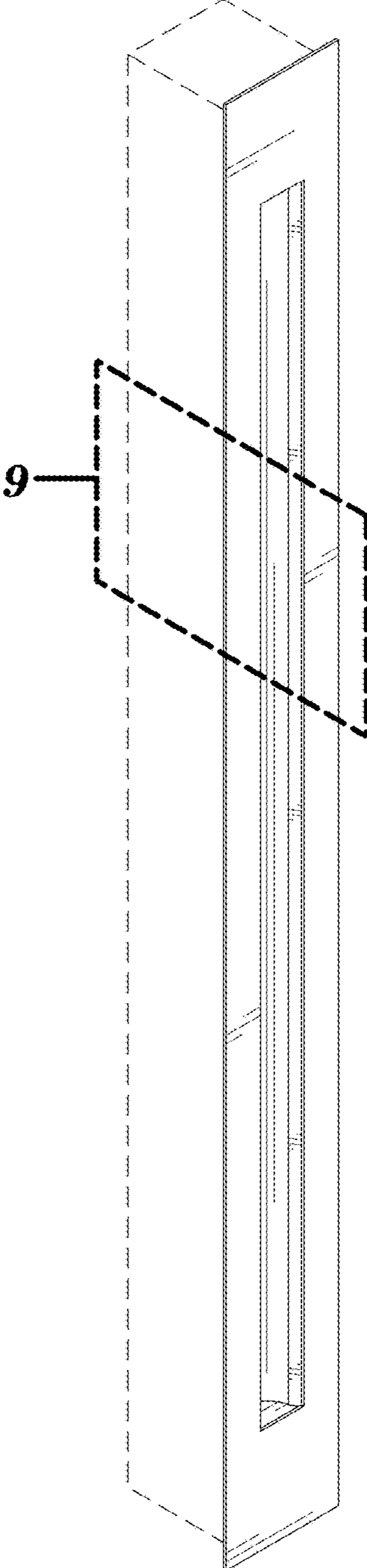


FIG. 2

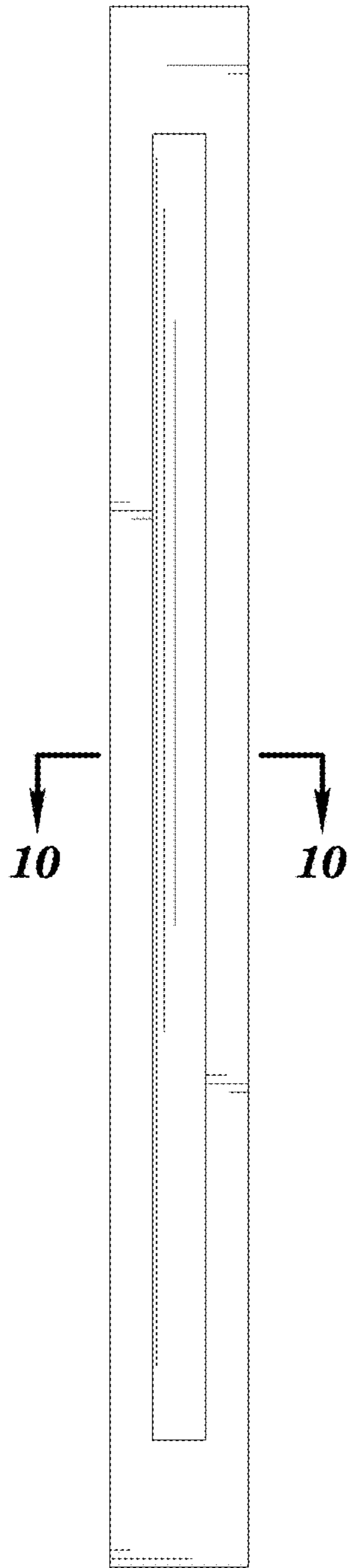


FIG. 3

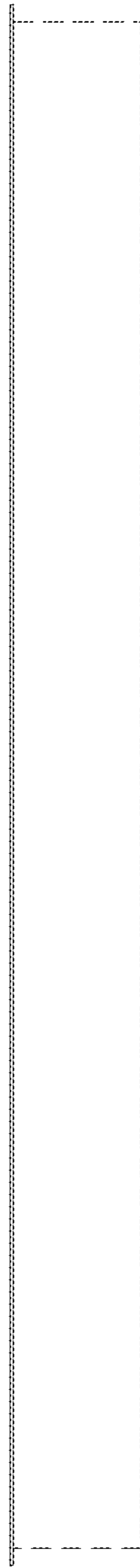


FIG. 4

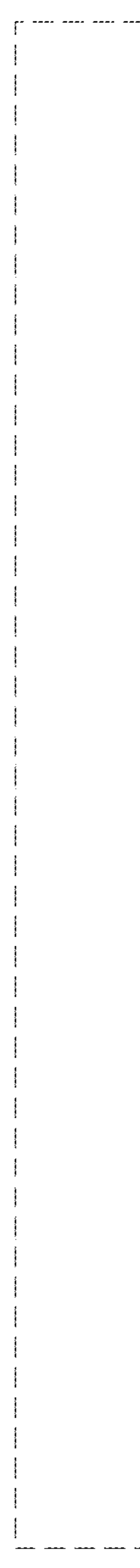


FIG. 5

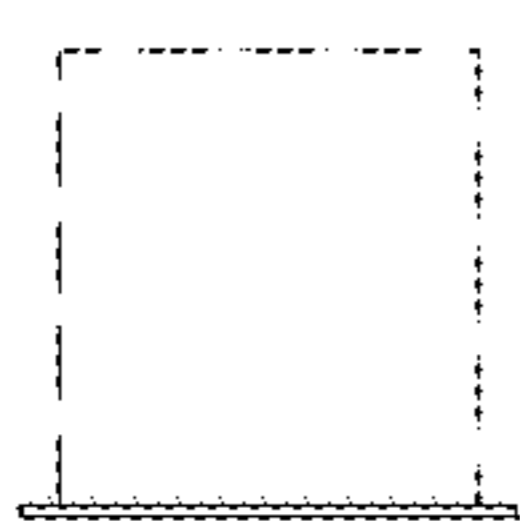


FIG. 6

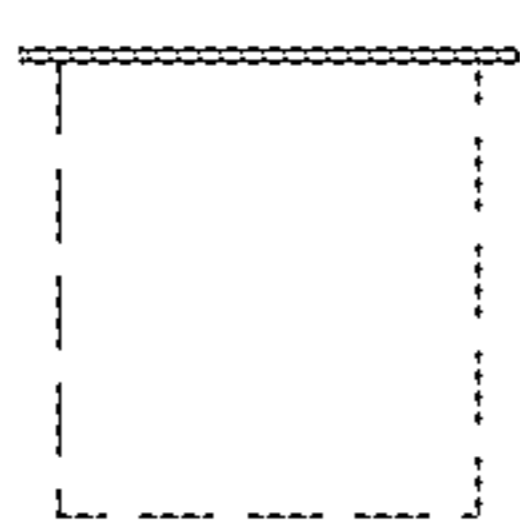


FIG. 7

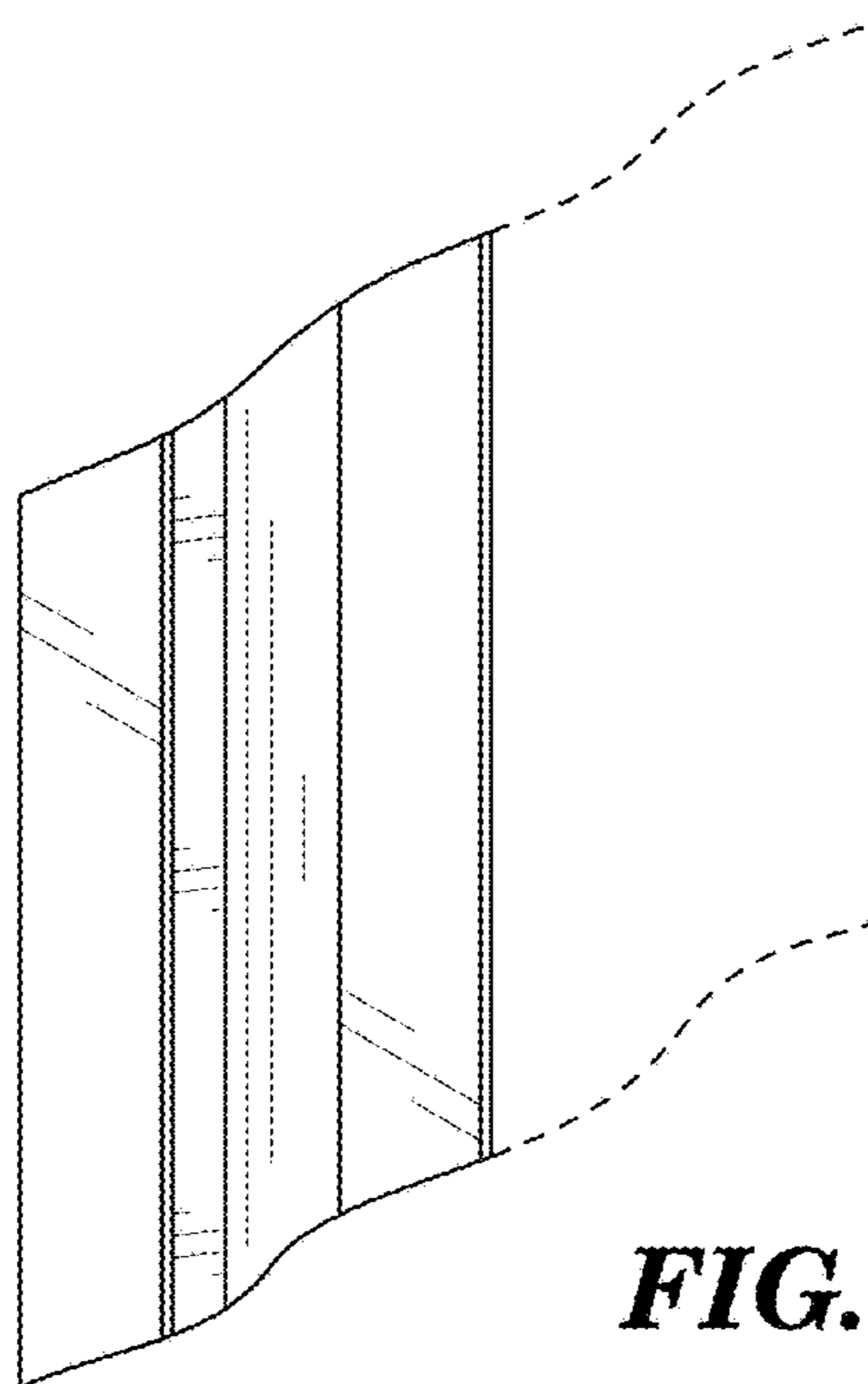


FIG. 8

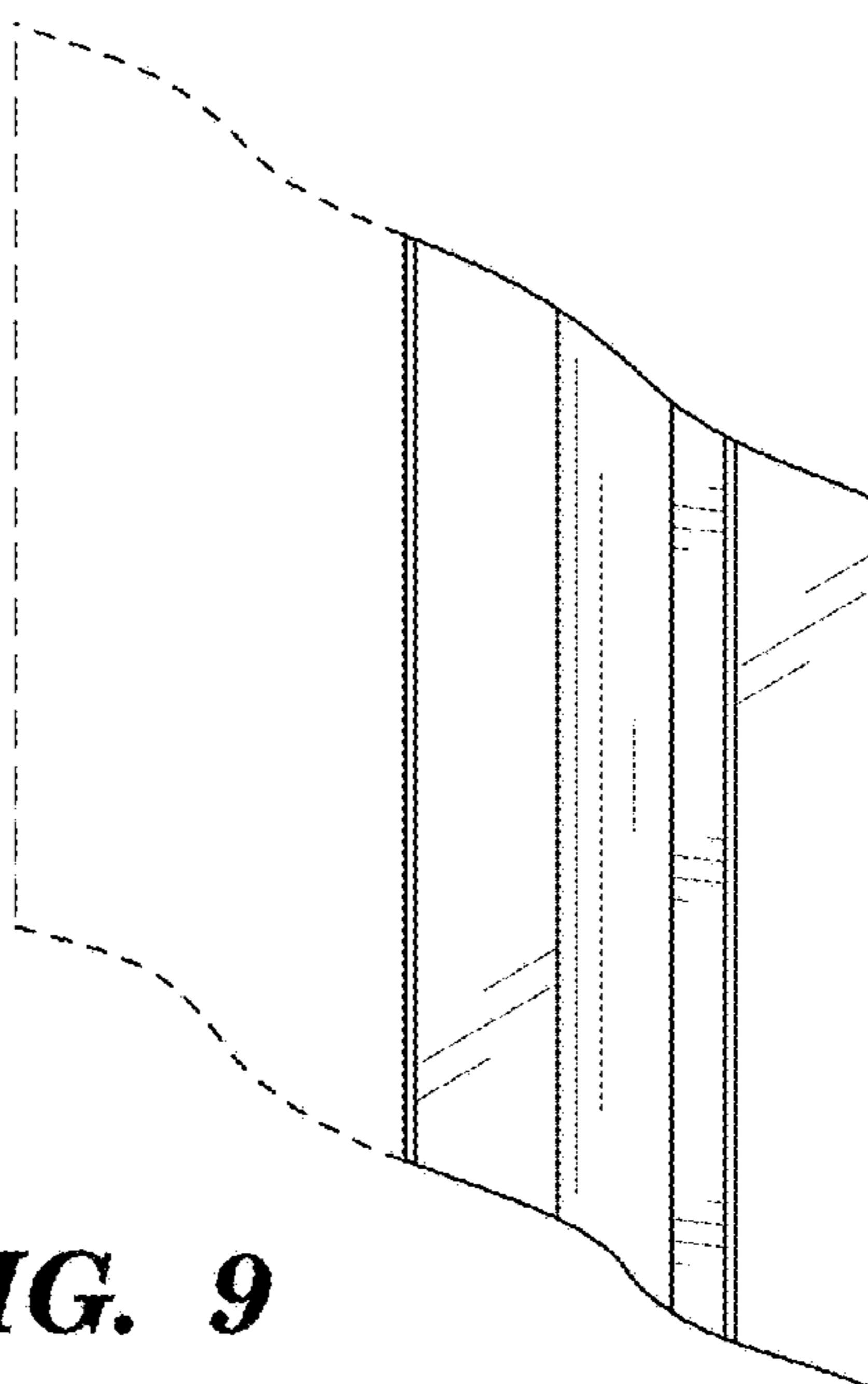


FIG. 9

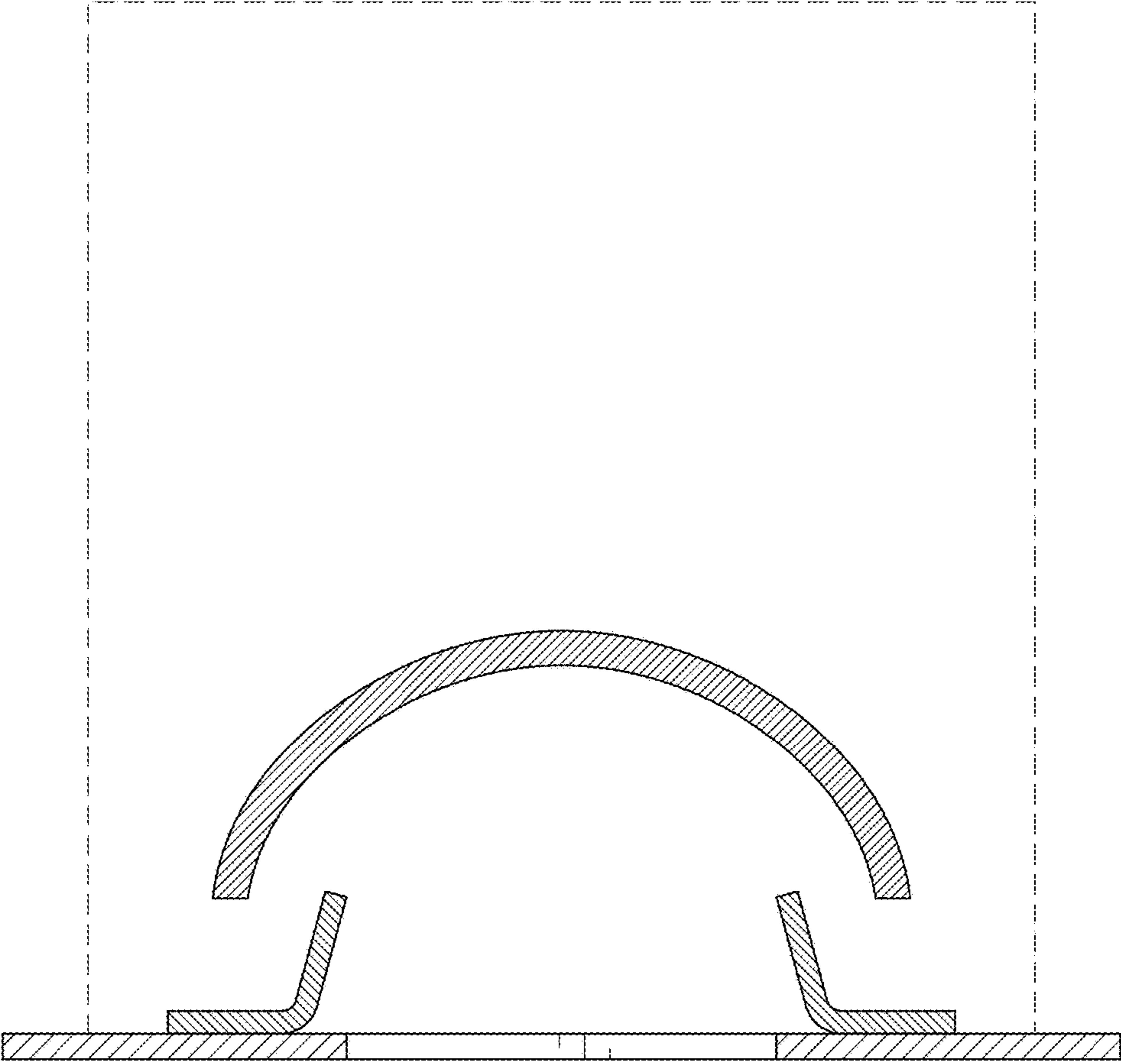


FIG. 10

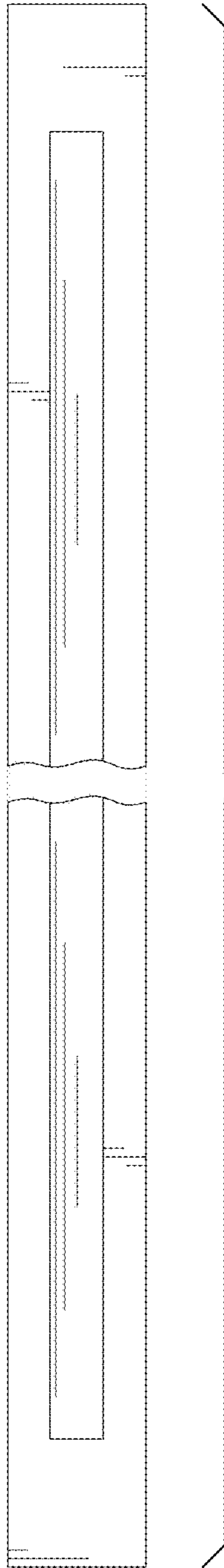


FIG. 11

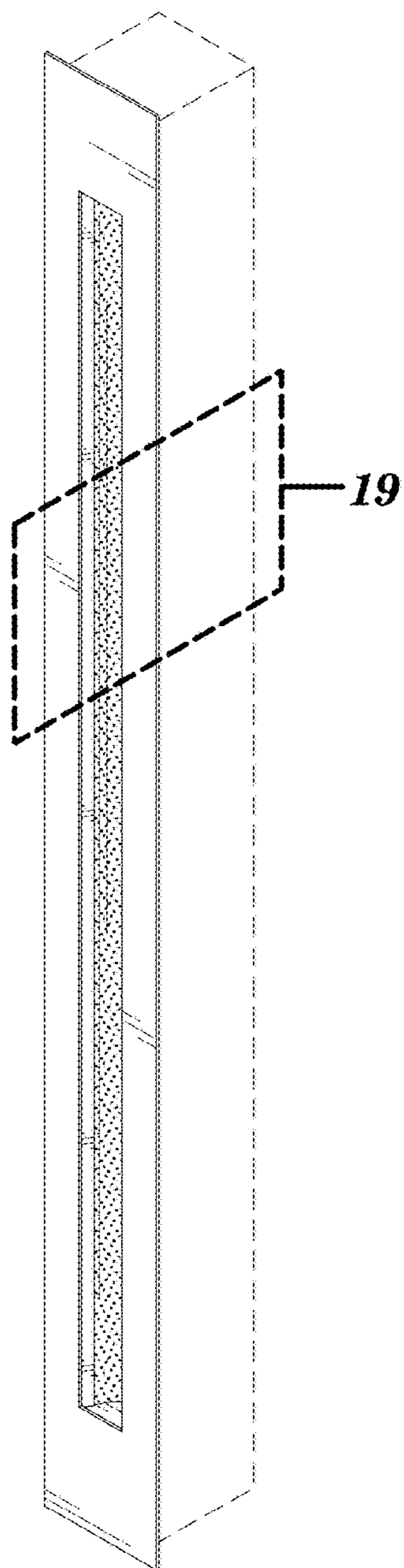


FIG. 12

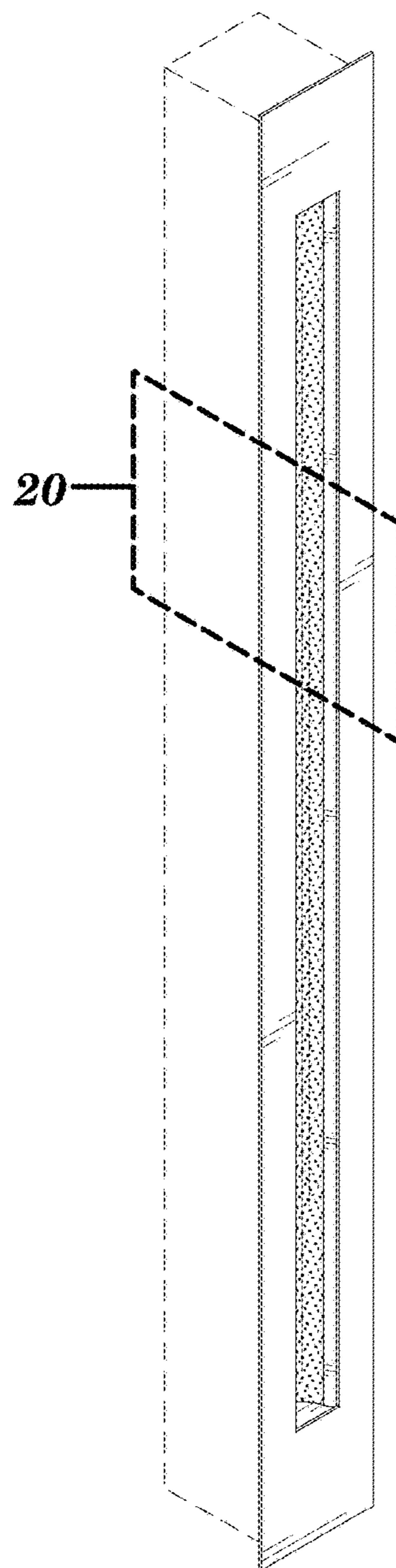


FIG. 13

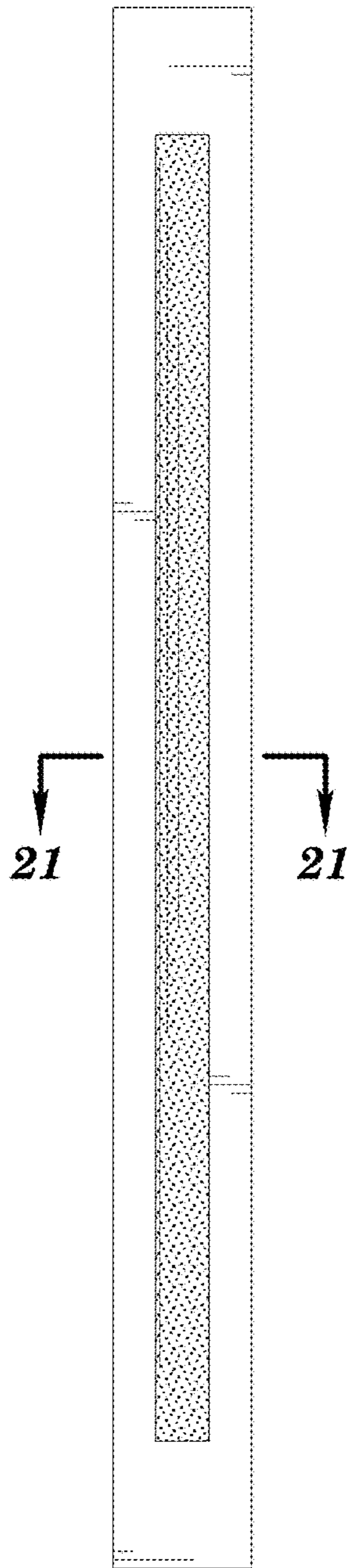


FIG. 14

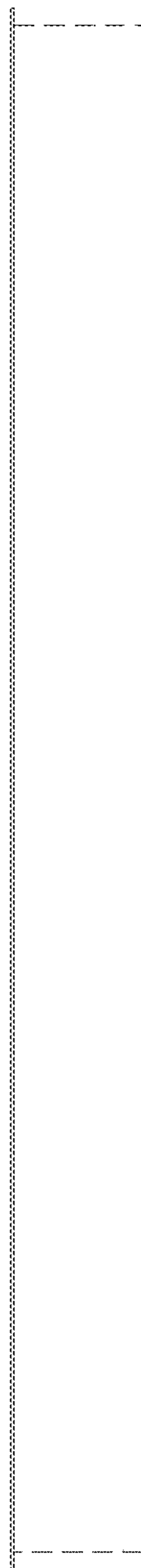


FIG. 15

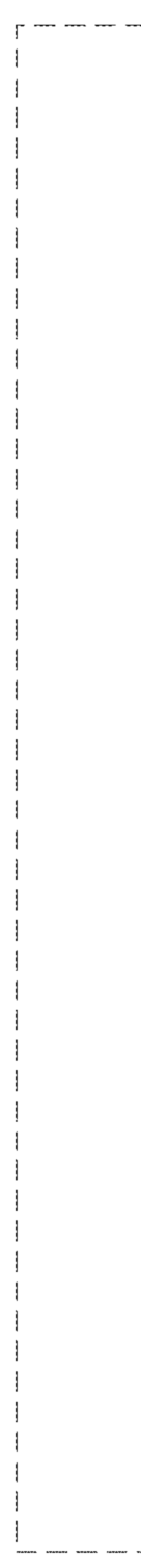


FIG. 16

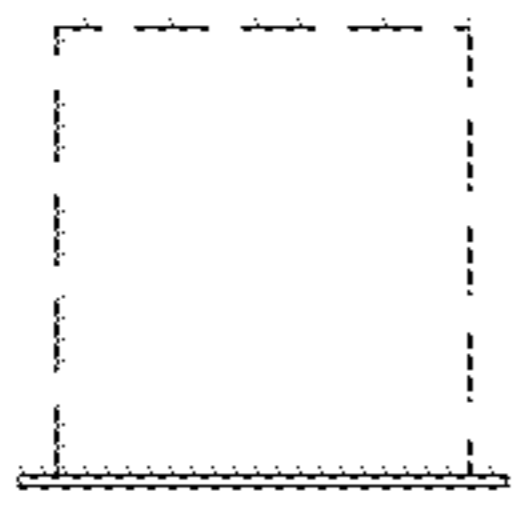


FIG. 17

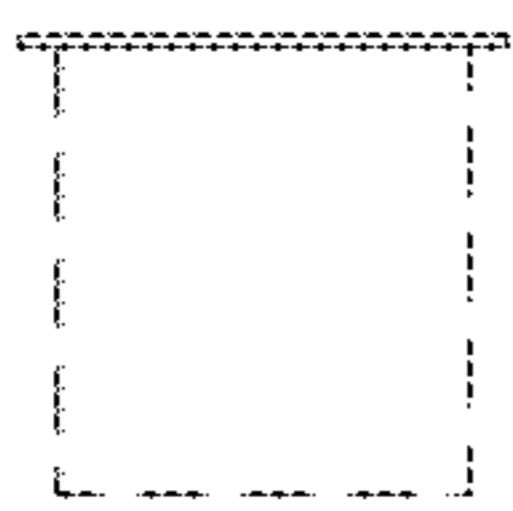


FIG. 18

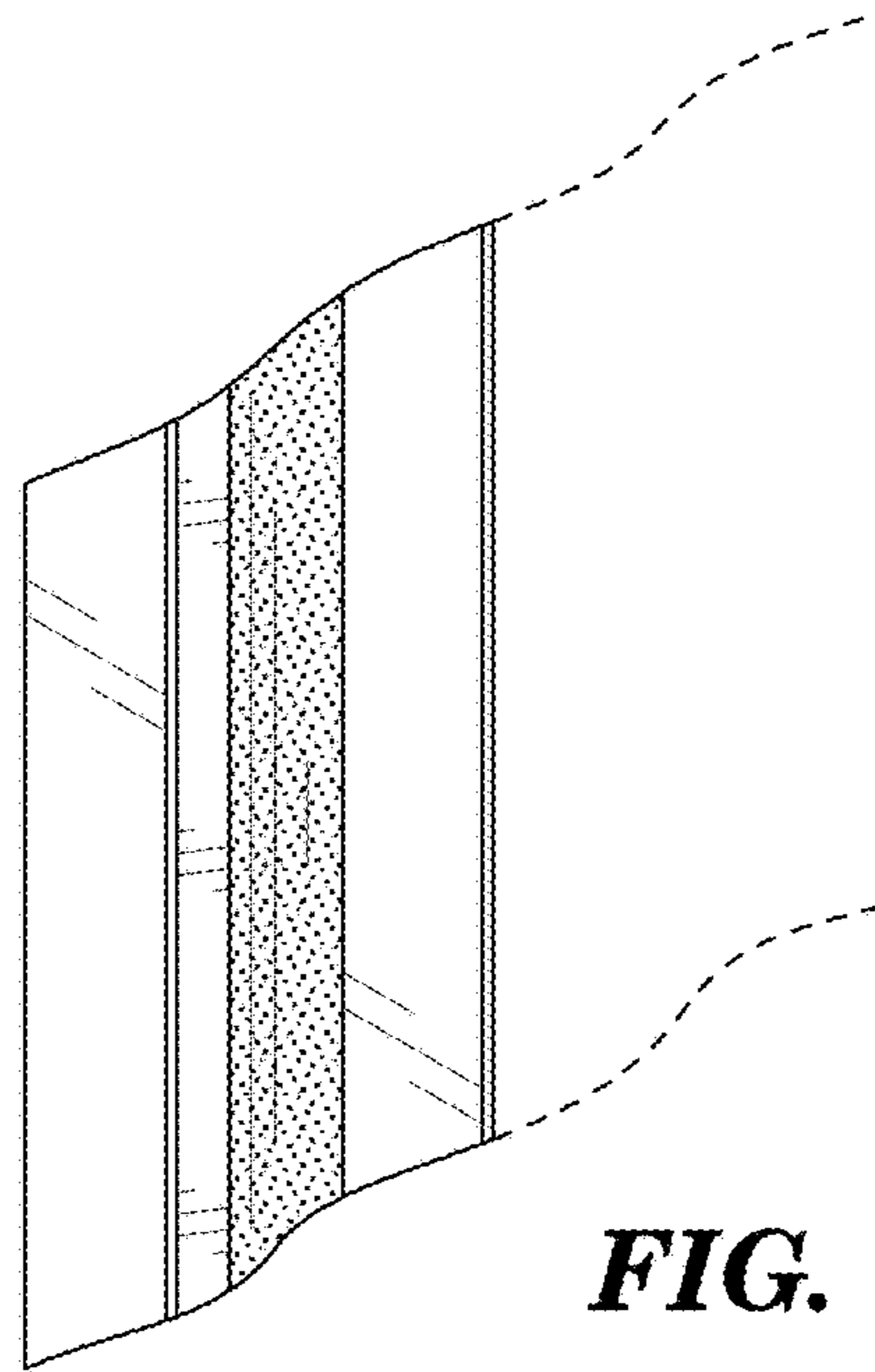


FIG. 19

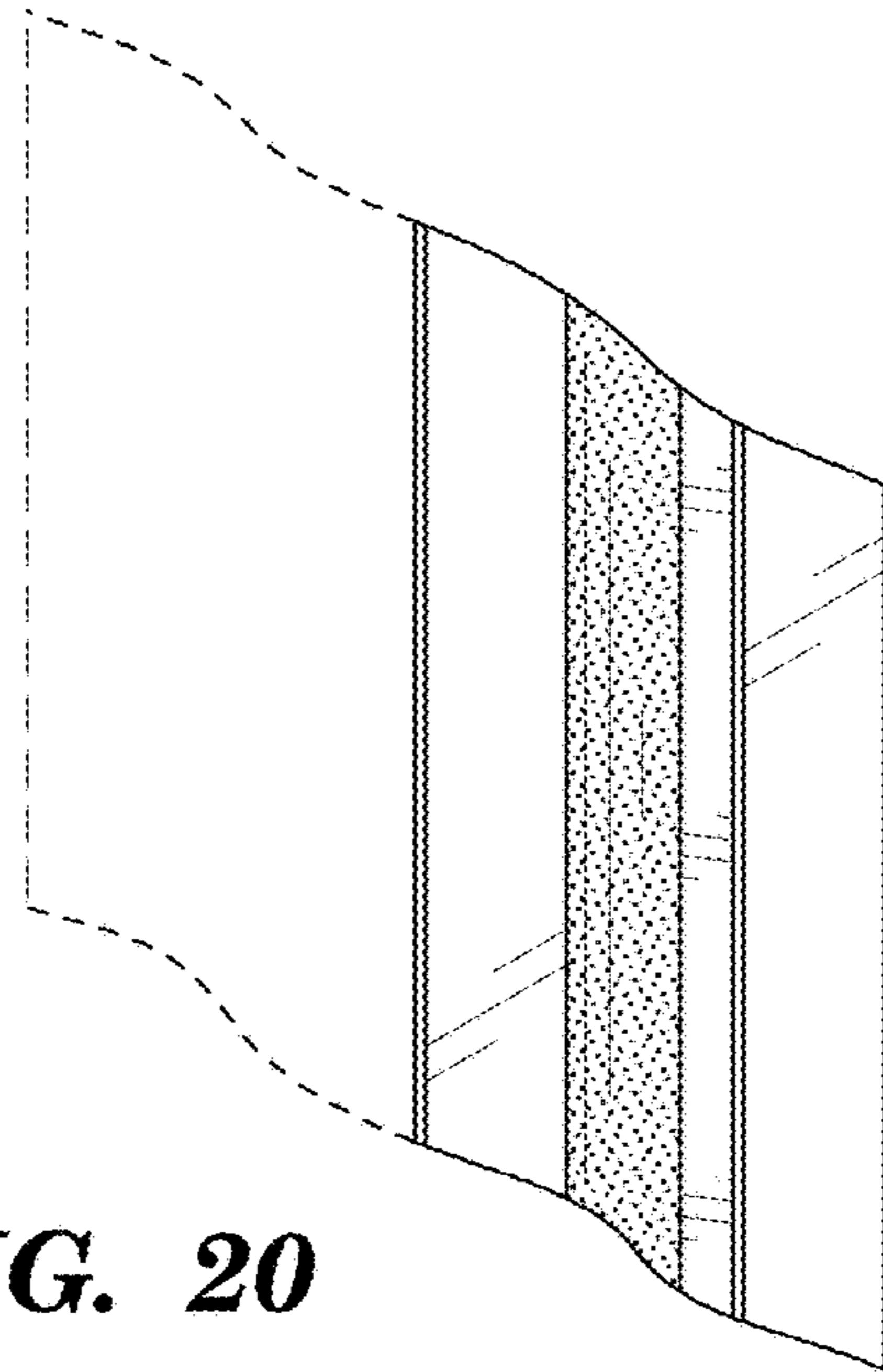


FIG. 20

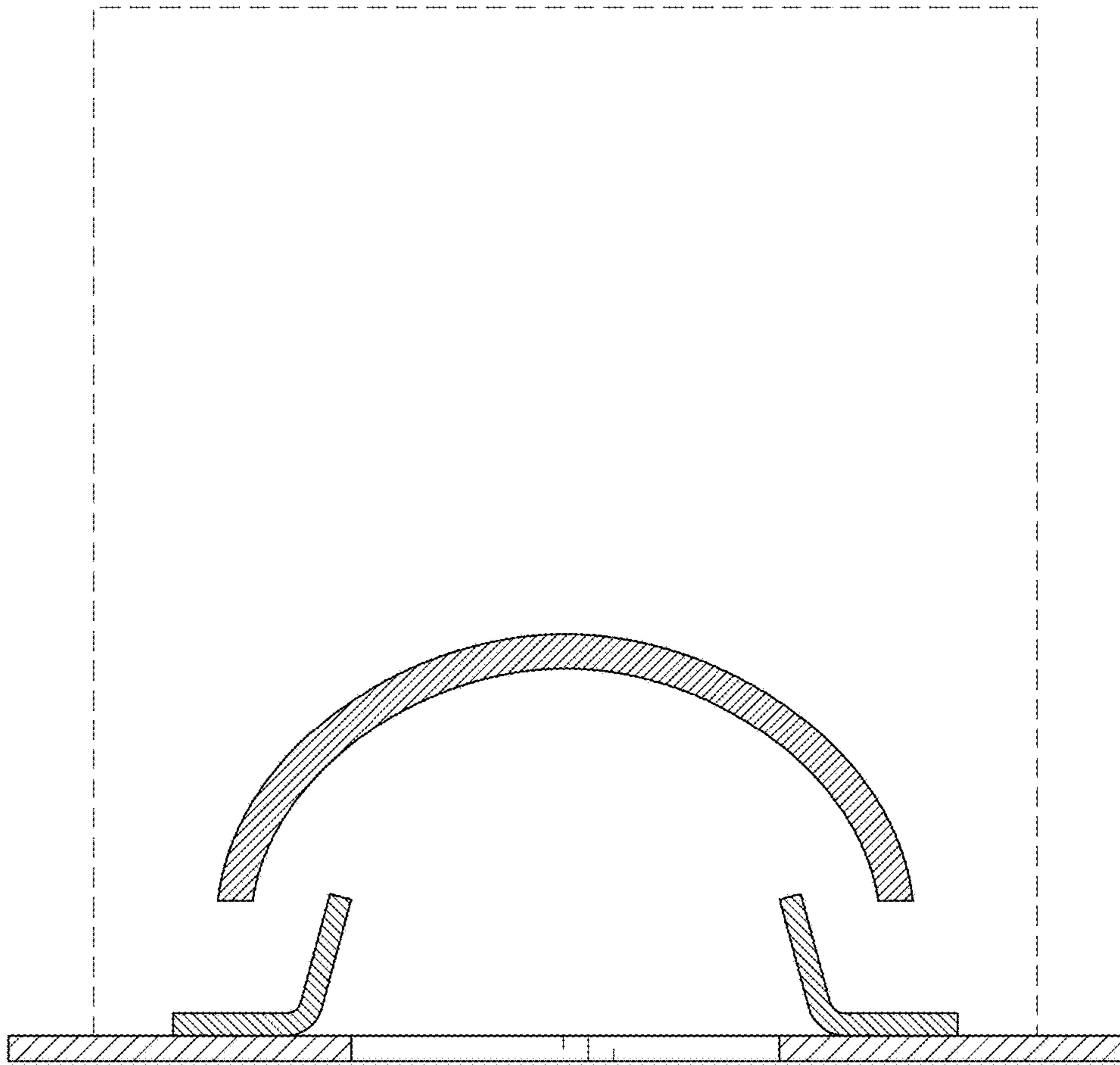


FIG. 21

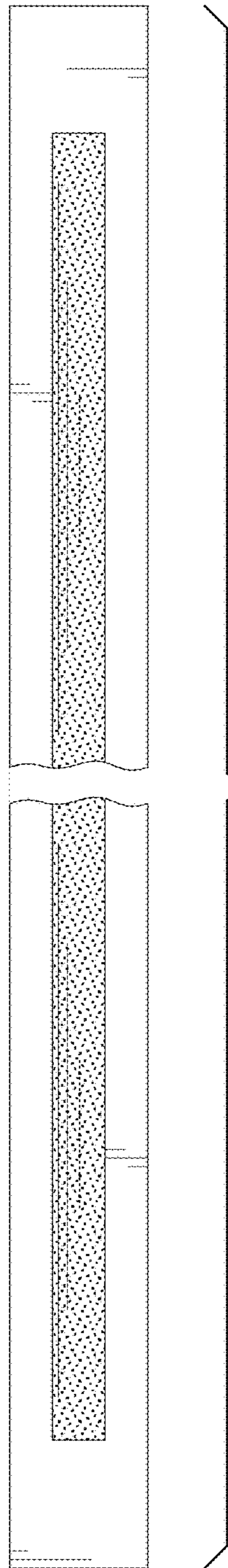


FIG. 22