



US00D840575S

(12) **United States Design Patent** (10) **Patent No.:** **US D840,575 S**
Dyck (45) **Date of Patent:** **** Feb. 12, 2019**

- (54) **UNDERWATER POOL LIGHT**
- (71) Applicant: **Artistic Landscaping Inc.**, Waterloo (CA)
- (72) Inventor: **Patrick Dyck**, Waterloo (CA)
- (73) Assignee: **Artistic Landscaping Inc.**, Waterloo, Ontario (CA)
- (**) Term: **15 Years**
- (21) Appl. No.: **29/586,818**
- (22) Filed: **Dec. 7, 2016**
- (51) **LOC (11) Cl.** **26-05**
- (52) **U.S. Cl.**
USPC **D26/72**
- (58) **Field of Classification Search**
USPC D10/111-115; D26/28, 35, 72, 74,
D26/79-81, 83, 85, 86, 88, 89, 91,
D26/118-124
CPC F21S 8/02; F21S 8/03; F21S 8/04; F21S
8/033; F21S 8/043; F21V 21/02
See application file for complete search history.

(56) **References Cited**

U.S. PATENT DOCUMENTS

D92,055 S *	4/1934	Adler	D26/123
6,184,628 B1	2/2001	Ruthenberg		
D544,988 S *	6/2007	Benensohn	D26/89
D571,034 S *	6/2008	Goetz-Schaefer	D26/85
7,410,268 B2	8/2008	Koren et al.		
D583,091 S *	12/2008	Benensohn	D26/89
D628,738 S *	12/2010	Chen	D26/89
D634,053 S *	3/2011	Guercio	D26/89
D679,443 S *	4/2013	Parekh	D26/118
D691,763 S *	10/2013	Hand	D26/89
D761,453 S *	7/2016	Sorokin	D26/24
9,657,925 B2 *	5/2017	Feit	F21V 21/04

D797,980 S *	9/2017	Maxik	D26/89
2014/0063794 A1 *	3/2014	Parekh	F21S 8/04 362/185
2017/0307202 A1 *	10/2017	Maxik	F21K 9/235

OTHER PUBLICATIONS

Amoray Underwater LED Lights (available online) Retrieved from the internet Jun. 12, 2018 from URL: <http://shop.artisticland.com/home/1000-amoray-underwater-led-lights.html>.*

Coolwest LED RGB underwater Swimming Pool Light (available online) Retrieved from the internet Jun. 12, 2018 from URL: https://www.amazon.com/COOLWEST-Underwater-Swimming-Stainless-Waterproof/dp/B01HGJHGZO/ref=sr_1_2_sspa?s=lawn-garden&ie=UTF8&q%80%A6.*

2018 Ac12v Wall Mounted Led Swimming Pool Lights (available online) Retrieved from the internet Jun. 12, 2018 from URL: <https://www.dhgate.com/product/ac12v-wall-mounted-led-swimming-pool-lights/398456623.html>.*

* cited by examiner

Primary Examiner — Kevin K Rudzinski
Assistant Examiner — Richard Kearney
 (74) *Attorney, Agent, or Firm* — Bereskin & Parr LLP

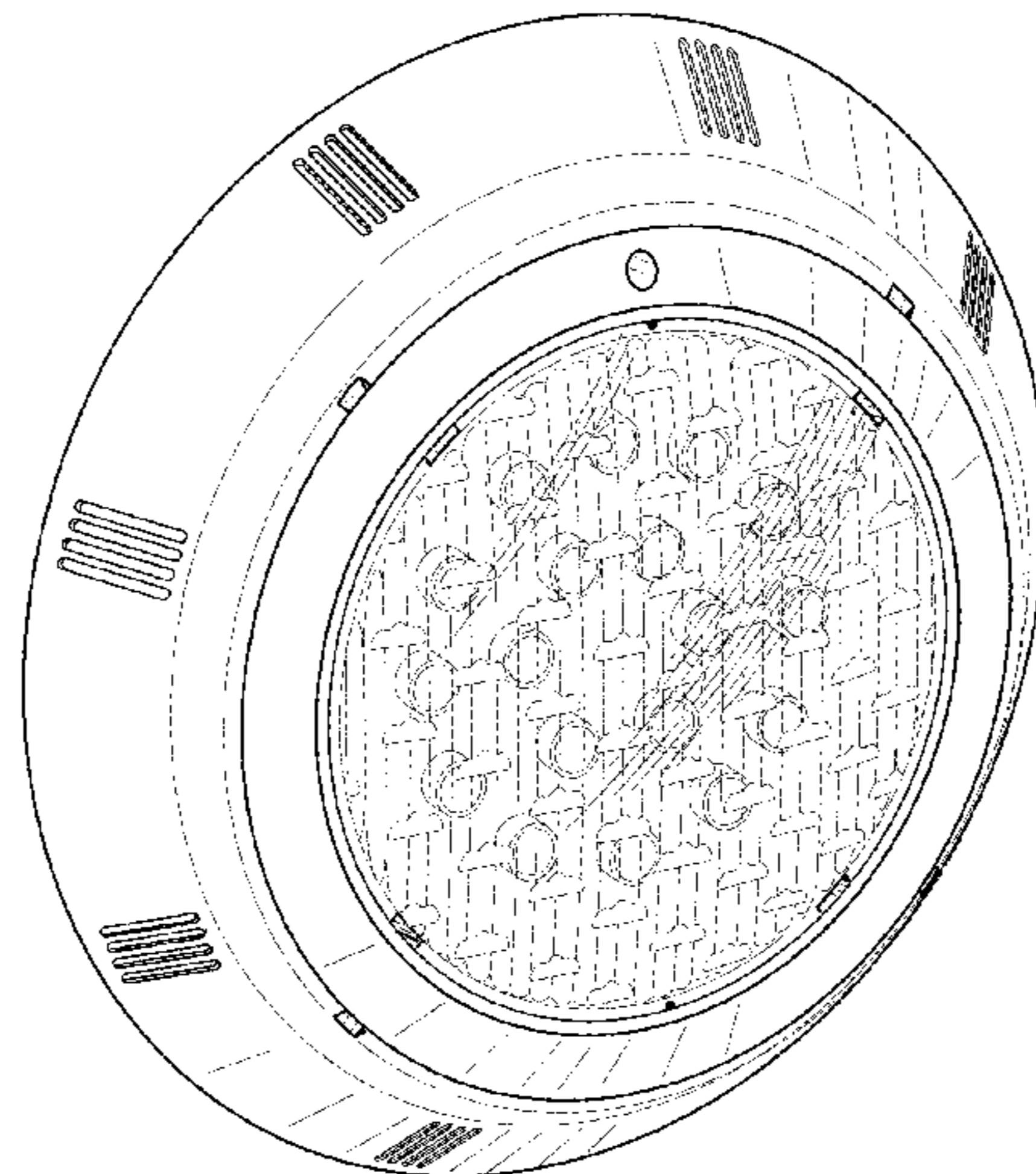
(57) **CLAIM**

The ornamental design for an underwater pool light, as shown and described.

DESCRIPTION

FIG. 1 is a top perspective view of an underwater pool light made in accordance with the subject design;
 FIG. 2 is a side elevational view thereof;
 FIG. 3 is a front elevational view thereof;
 FIG. 4 is a rear elevational view thereof;
 FIG. 5 is a top plan view thereof; and,
 FIG. 6 is a bottom plan view thereof.
 The broken lines shown in the drawings illustrate portions of the underwater pool light that form no part of the claimed design.

1 Claim, 4 Drawing Sheets



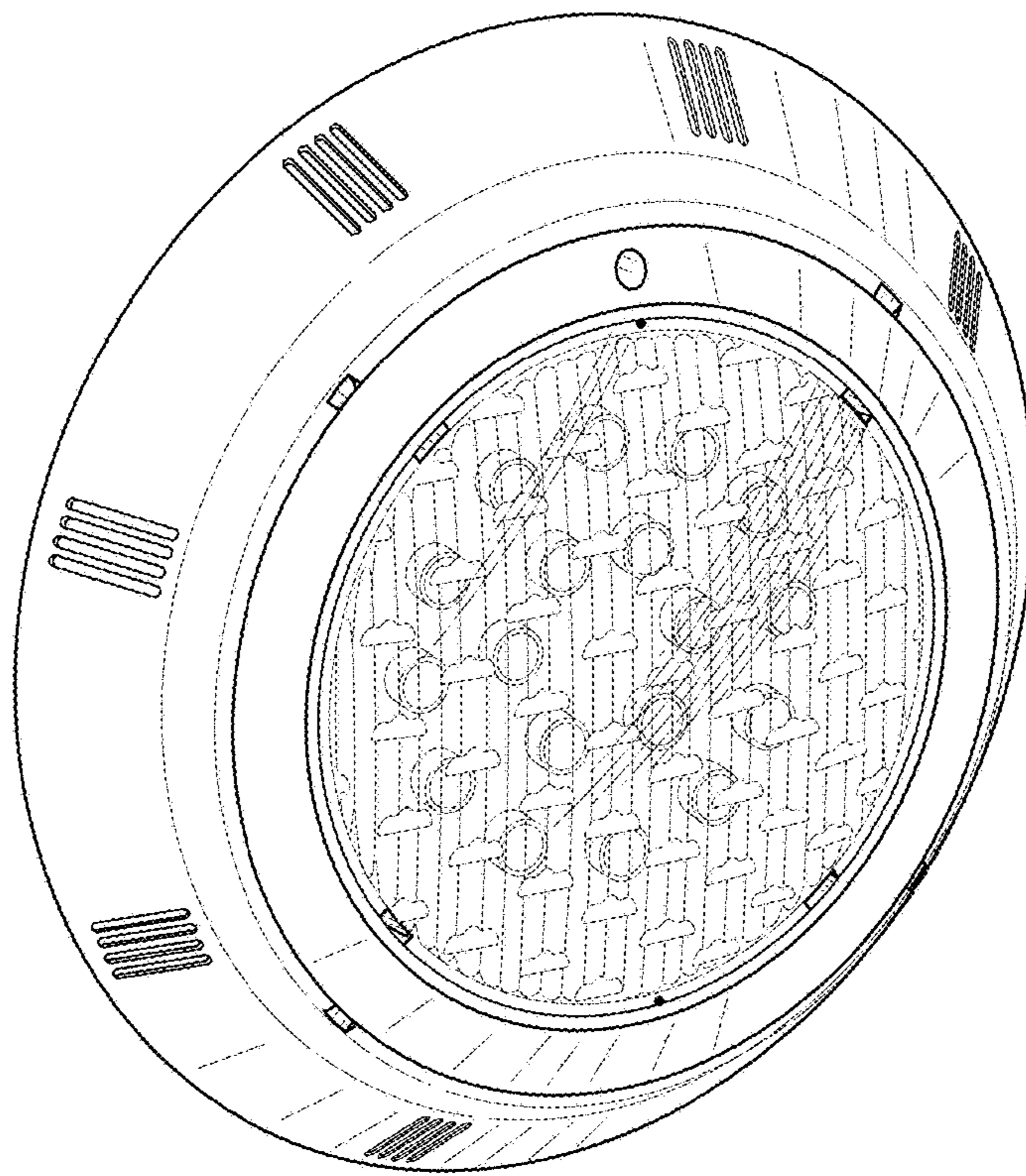


FIG. 1

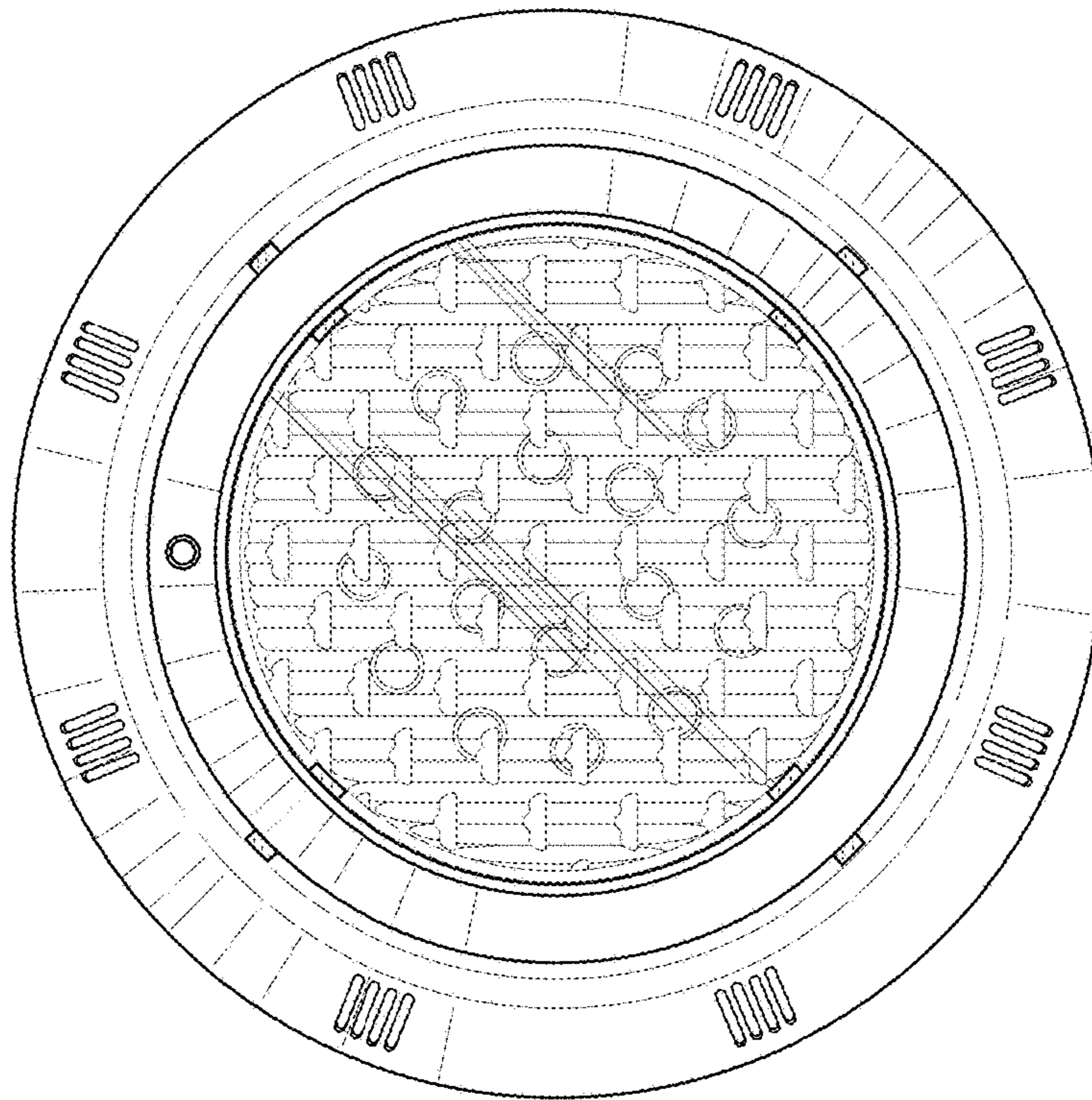


FIG. 3

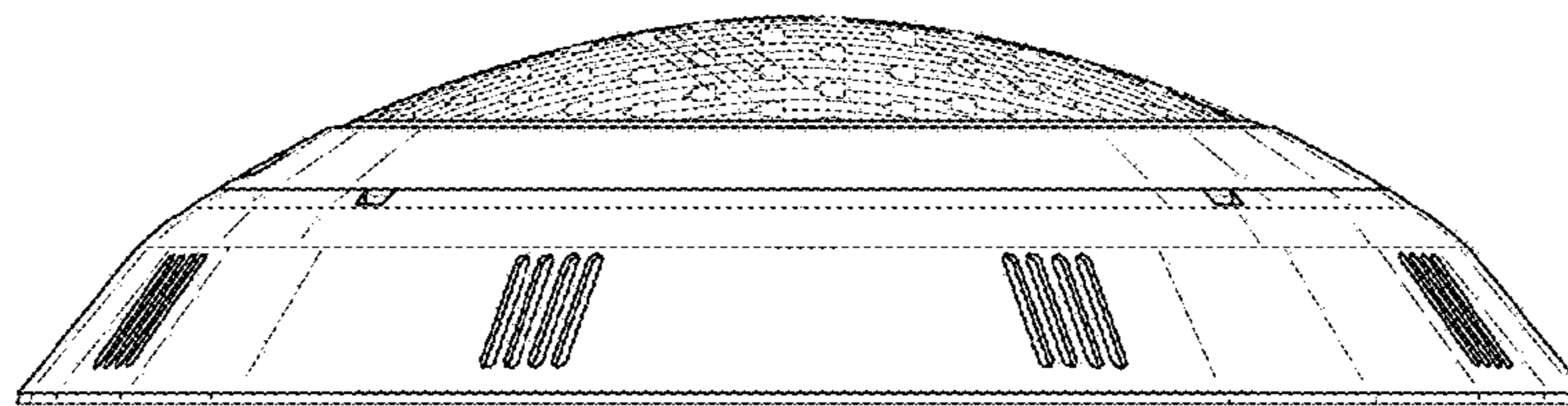


FIG. 2

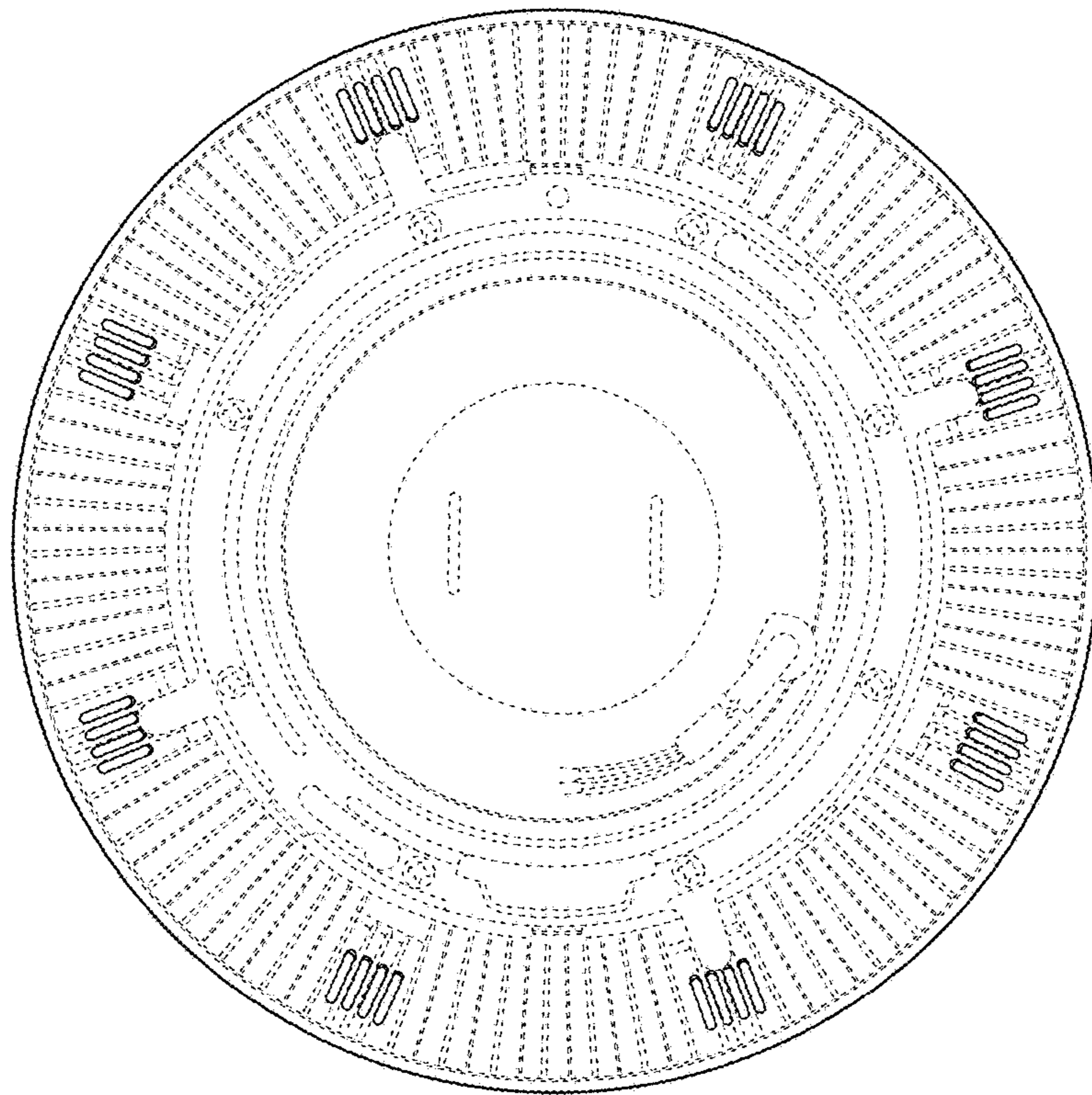


FIG. 4

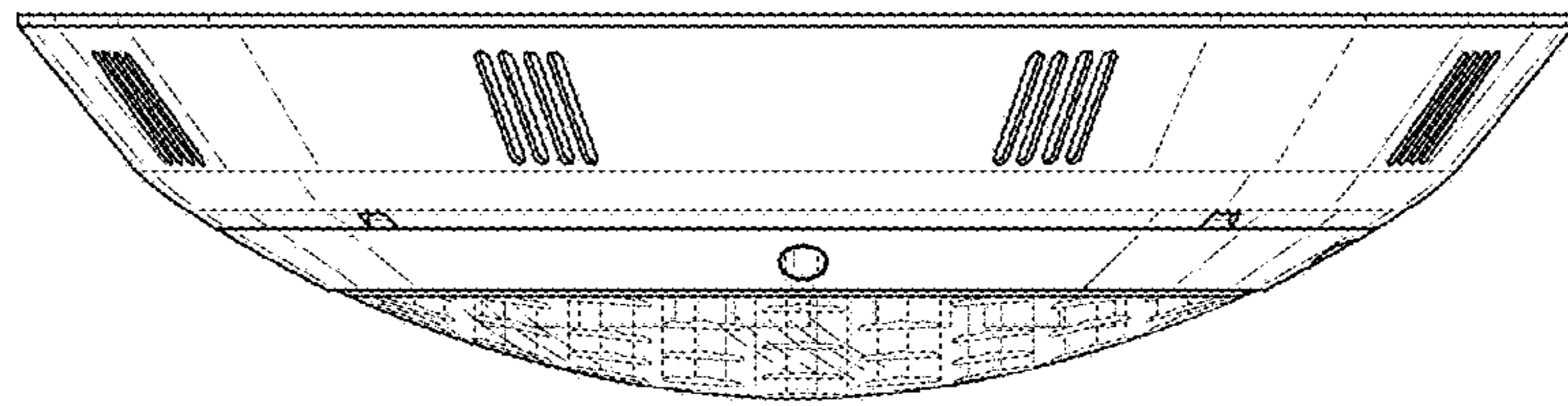


FIG. 5

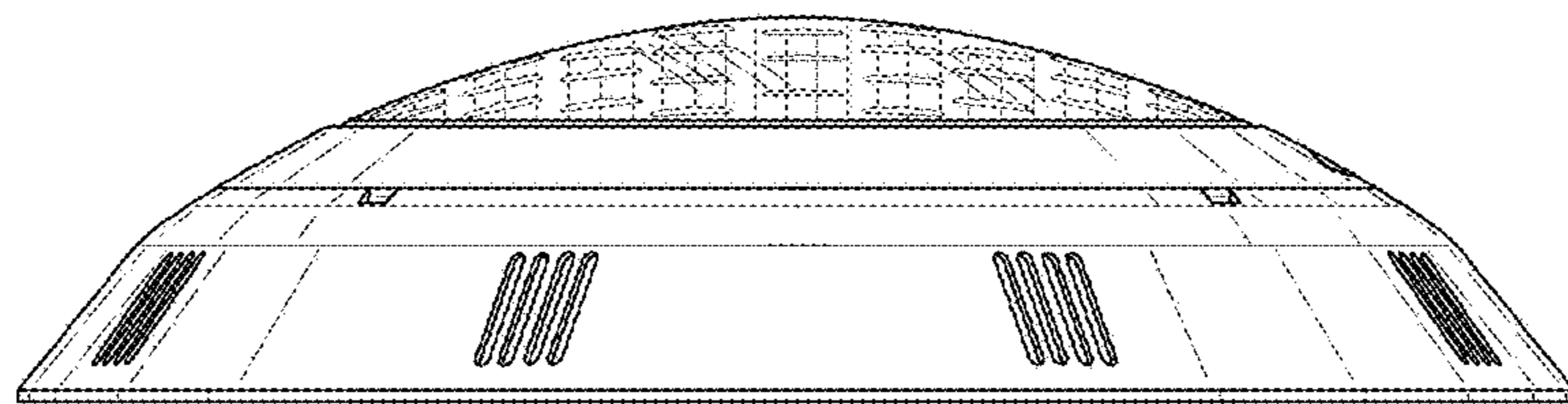


FIG. 6